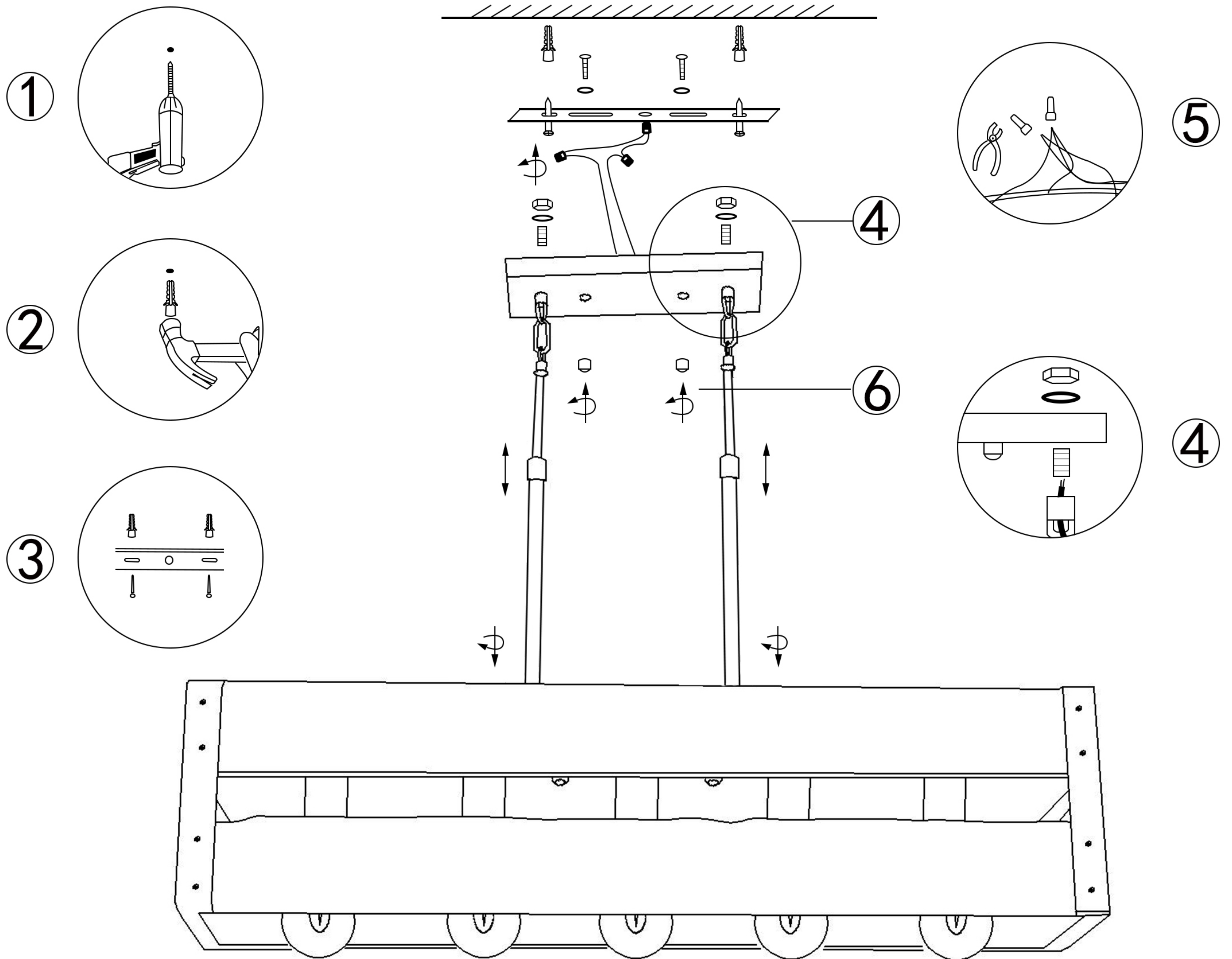


Installation Instructions



The lamp installation process

1. Please check the product carefully once received. After that, connect to power for testing its lighting status.
2. Drawing spots are for lamp plate installation. Secondly, use of drill to punch confirmed dots for screws loading.
3. Prepare expansion pipes and put screws in them, then fix the ceiling plate. Next procedure, you may link lamp body to lamp's ceiling plate through wires as per picture's description.
4. Please measure and adjust the hang line to your favored height.
5. Power-on for lighting testing. Working status of lamp is concerned to be stable.

Precautions

1. Large-scale lamps should not be installed by yourselves . Please install them by a professional with electrician certificate .
- 2 . The power must be turned off before installing or replacing the lamp .
- 3 . Installing or testing the lamp must be away from flammable objects .
- 4 . Please Wear gloves when installing or testing the fixture .
- 5 . If the luminaire does not work properly , turn off the power and check if the power supply is connected . If there is still problems , please consult a professional .
- 6 . When the lamp is on , please do not to look the light source directly for a long time in order to avoid damage your eyesight .
- 7 . Please do not put conductive objects of the lamp body to avoid short circuit and casualties .