

# LEGS ASSEMBLY INSTRUCTIONS

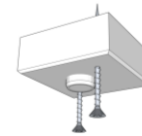
1



WOOD LEG

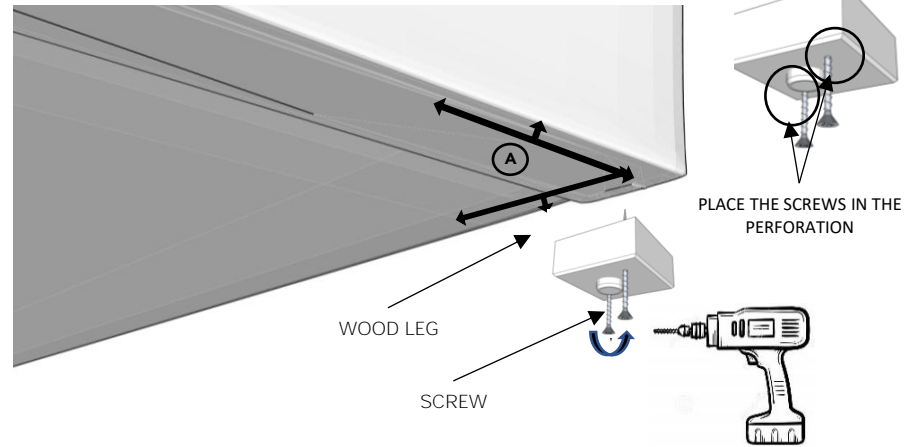


8 PHILLIPS SCREWS



4 WOOD LEGS

2



PLACE THE SCREWS IN THE PERFORATION

WOOD LEG

SCREW

**Screw holes on the legs are pre drilled**

**A**

Place the leg 1" off the edge of the sofa.

**B**

Tighten the 2 screws with a phillips screwdriver.

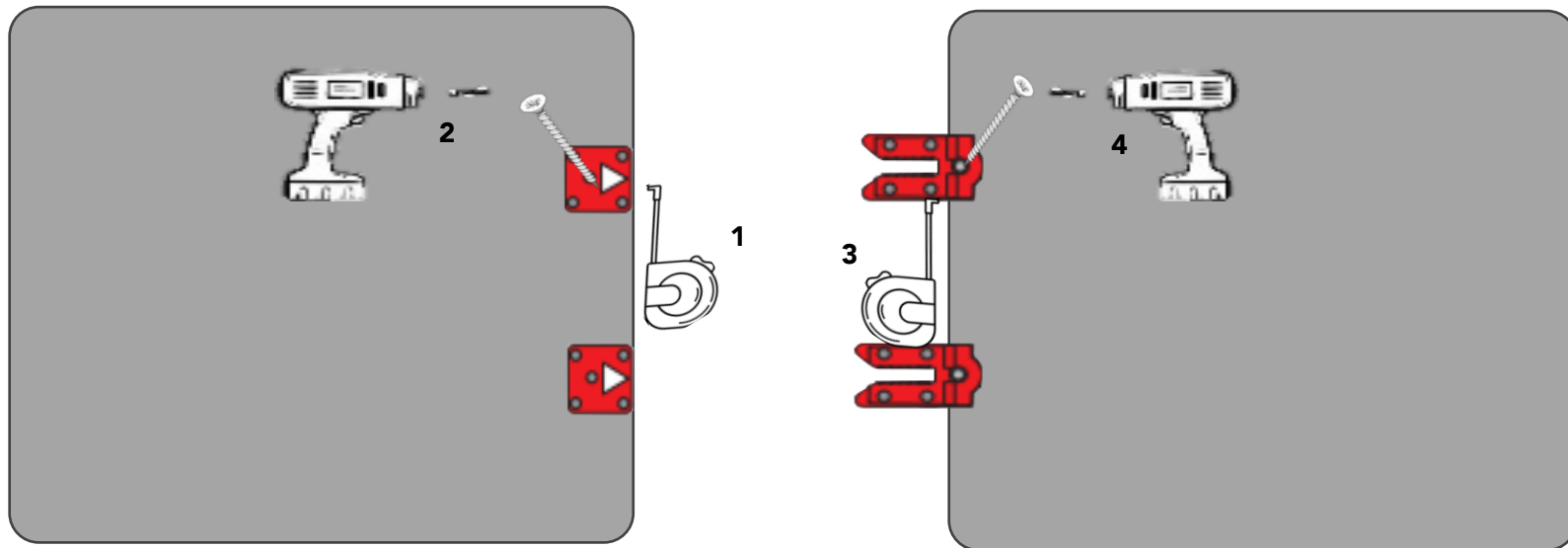
3




BACK WOOD LEG

FRONT WOOD LEG


## CONNECTOR ASSEMBLY INSTRUCTIONS



 **1.-** Using a measuring tape, determine the distance where you will install the connectors; they should be placed at the edge of the furniture



**2.-** To attach the hook to the bottom of the furniture, first make sure you have everything you need on hand: the hook, the drill, and the screws. Then, place the hook in the desired position and use the drill to screw into the holes. Make sure to screw in firmly until the piece is securely fastened. And don't forget to repeat the process one more time to make sure everything is secure.

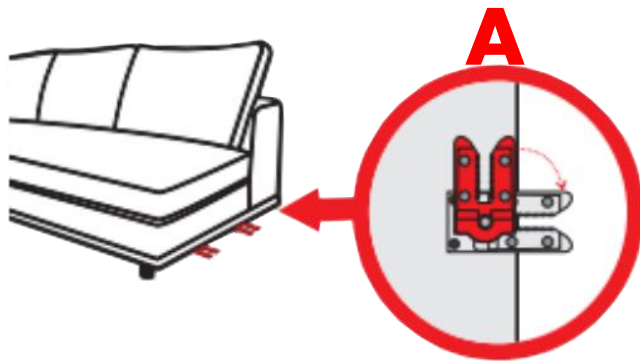
 **3.-** The second connector must be installed at the same distance as on the previous piece of furniture, so that the pieces fit together correctly



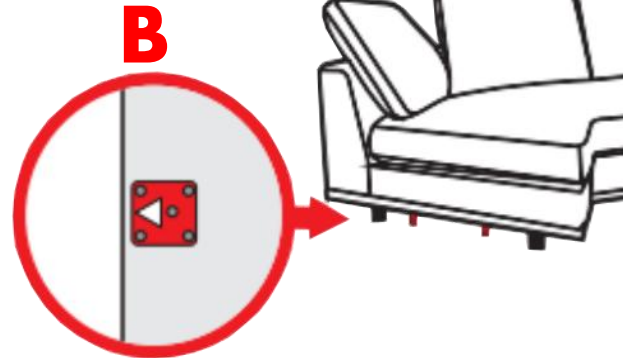
**4.-** Place the bracket at the bottom of the furniture, and using a drill, insert the screws into the holes. Screw until the piece is secure. Repeat this step for the installation of the second piece

## ASSEMBLY INSTRUCTIONS

1

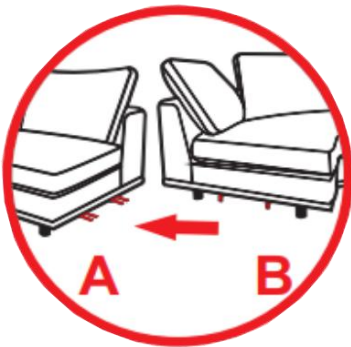


1.- Rotate Alligator Clip in a clockwise (A) position to ensure edges are facing outside; Clip must always be placed on right-hand side.



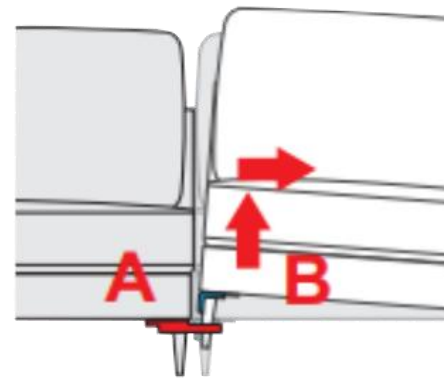
2.- Locate the metal post's position; (B) this must always be on the left-hand side.

2



1.- Align both pieces in order to clip; (A) (B) one you are in position push both pieces in order to connect.

3



1.- To release, lift (B) and then pull towards (B) the right in order to separate both pieces.