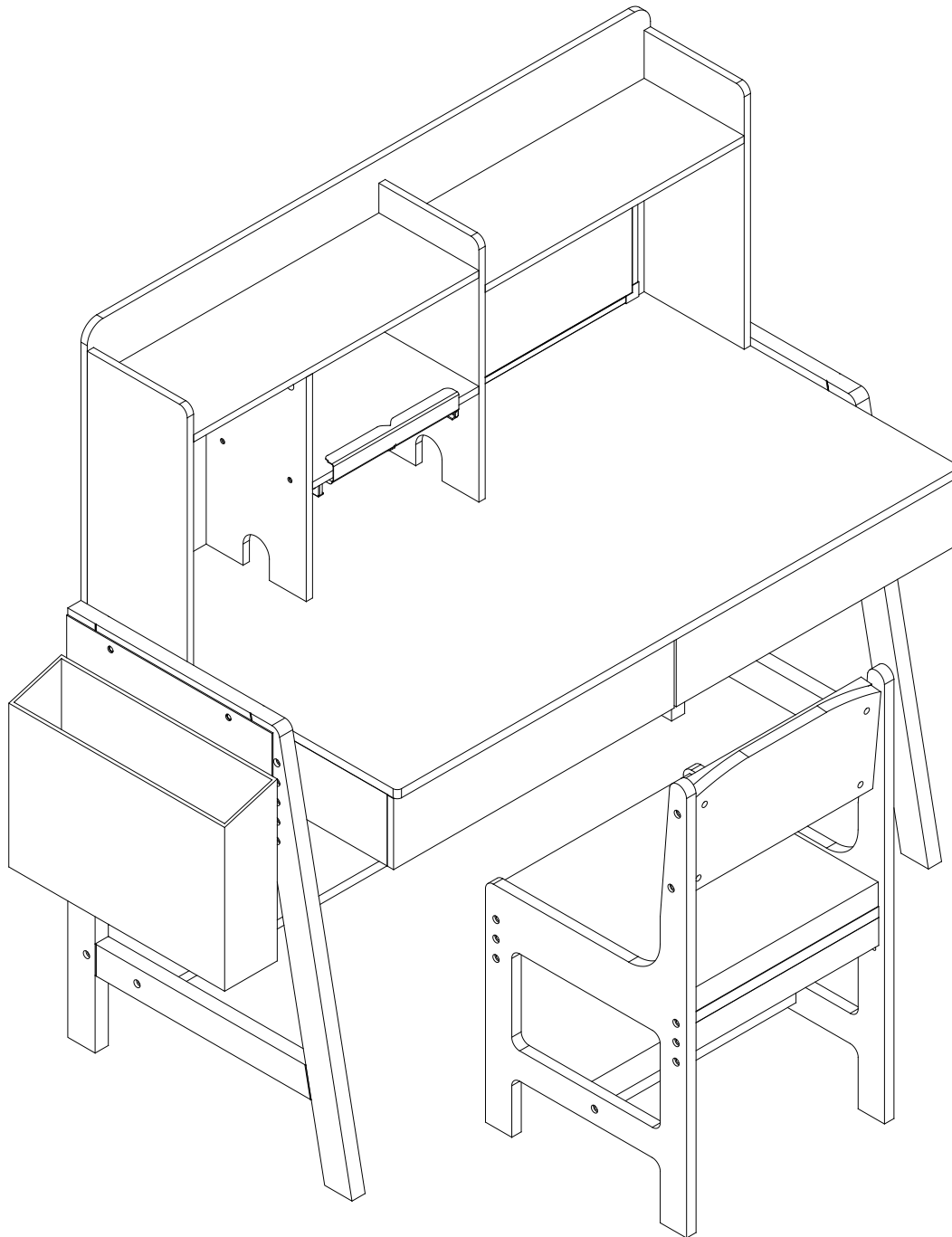


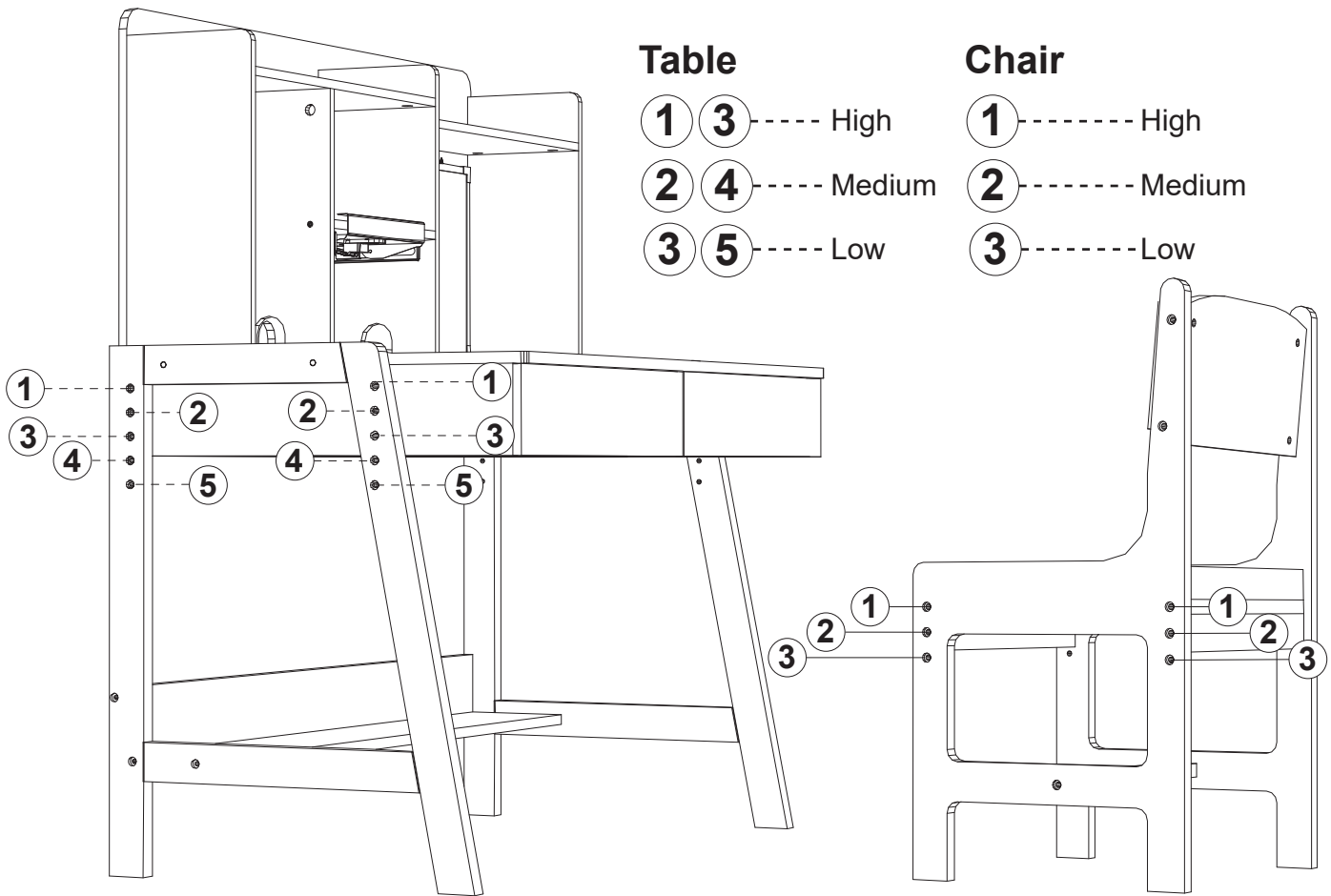
# Assembly Instructions

## Kids Study Desk And Chair Set

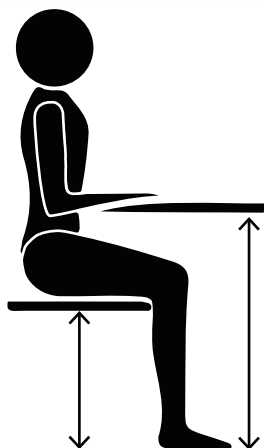
Note: Please follow the instructions for more convenient installation.



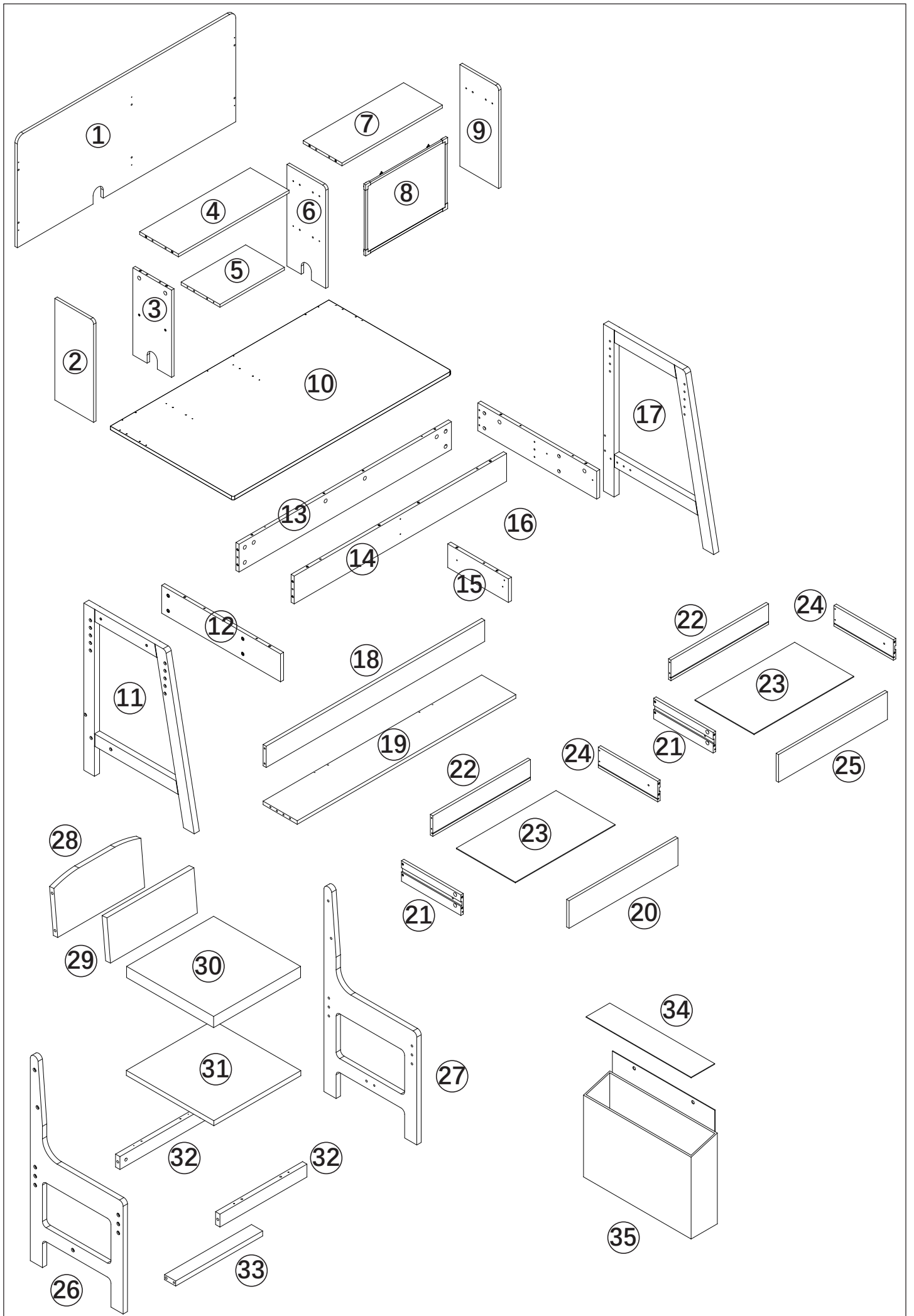
**Note:** This product includes a desk and chair, both adjustable to three height levels. During installation steps STEP 29 and STEP 37, ensure screws are positioned correctly. Refer to the table below for specific height adjustment settings.

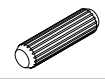



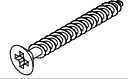
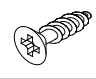

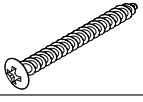


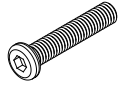
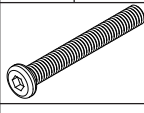

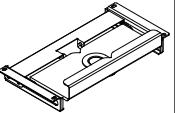
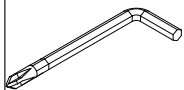

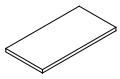
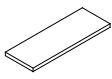

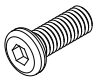
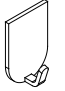



Product Height Adjustment Settings Parameters Table			
Adjustable Settings	Low	Medium	High
Table Top Height	24.6in	25.9in	27.2in
Chair Height	14.4in	15.7in	16.9in

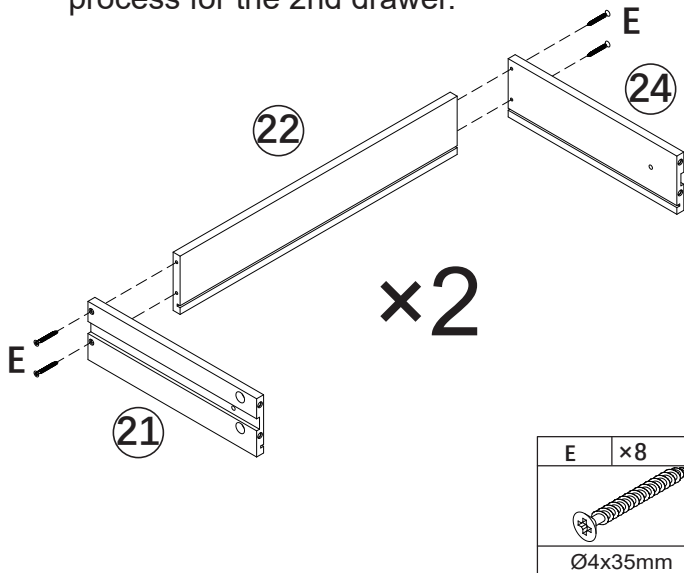


Reference Table for Suitable Desk Heights by Children's Age and Height		
AGE	HEIGHT (Children's)	Adjustable Settings
5-6 Years	43.3-47.2in	Low
7-9 Years	47.2-53.1in	Medium
10-12 Years	53.1-59in	High

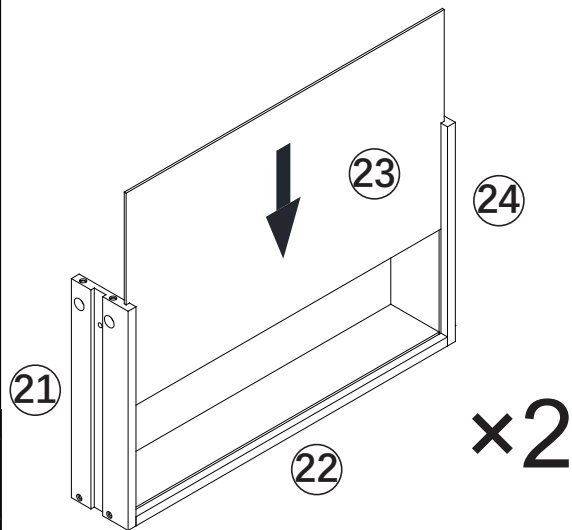


A	x57(+2)	B	x40(+2)	C	x40(+2)	D	x4	E	x34(+2)	F	x10(+1)
	Ø6x30mm		Ø6x35mm		Ø15x10mm		280mm		Ø4x35mm		Ø3.5x12mm
G	x5	H	x4 (+1)	I	x4(+1)	J	x1	K	x8(+1)	L	x16(+1)
	10x12mm		Ø4x45mm		Ø4x10mm		20x20x1.5mm		M6x35mm		M6x50mm
M	x16(+1)	N	x1	O	x1	P	x4(+1)	Q	x4(+1)	R	x4(+1)
	10x12mm						M4x10mm		50x25x2		50x18x2
S	x6 (+1)	T	x2 (+1)	U	x2 (+1)	V	x3 (+1)				
	Ø20mm		M6x12mm								

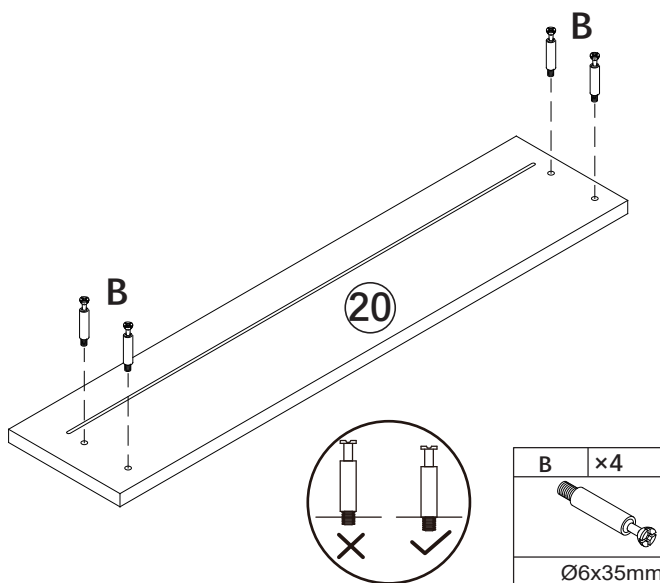
**1** Connect Part #21, Part #22 and Part as shown #24 with Screws Ex4. Repeat the process for the 2nd drawer.



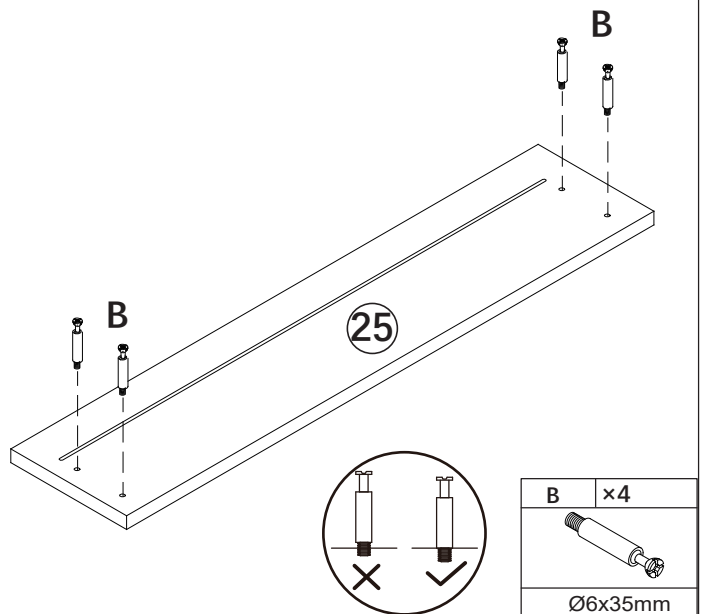
**2** Insert Part #23 into Grooves as shown Repeat for 2nd drawer.



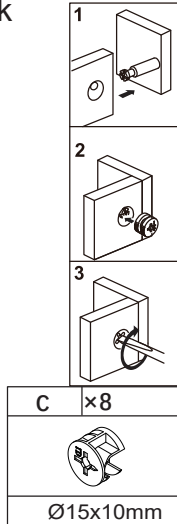
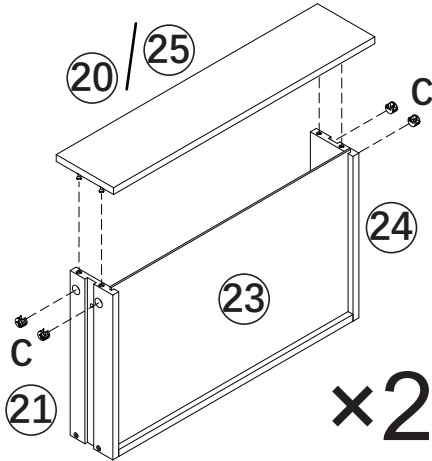
**3** Tighten Bolts Bx4 flush into Part #20 as shown.



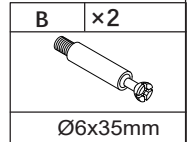
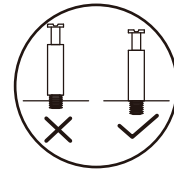
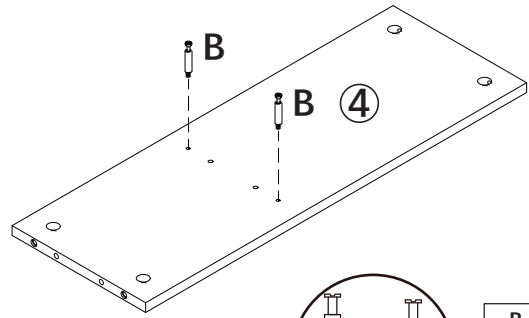
**4** Tighten Bolts Bx4 flush into Part #25 as shown.



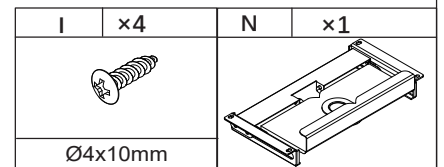
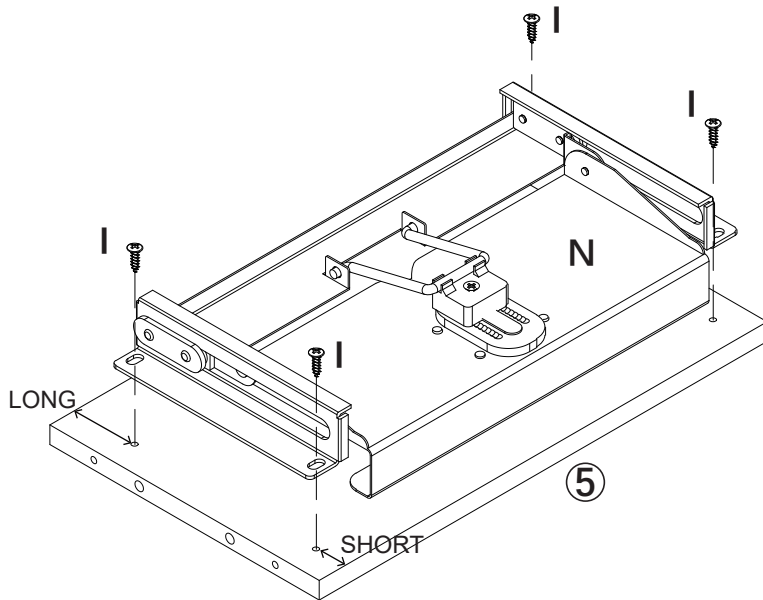
**5** Add front to both drawers: Connect Part #20 to the drawer #1 and Part #25 to the drawer #2 to the drawer as shown with Connector Nuts Cx8 -Turn Connector Nuts to lock into place with bolts to tighten.



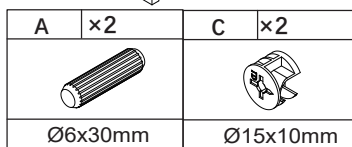
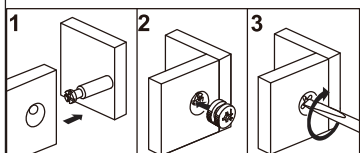
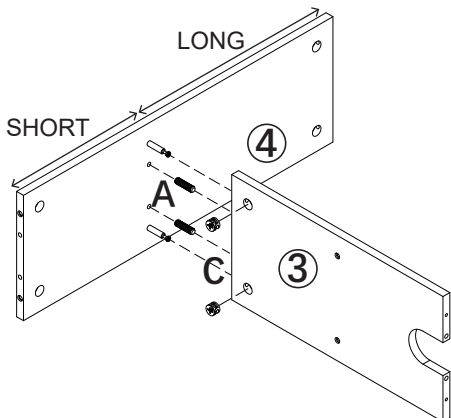
**6** Tighten Bolts Bx2 flush into Part #4 as shown.



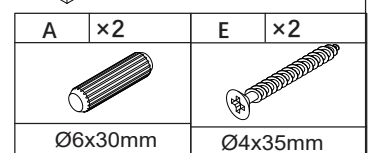
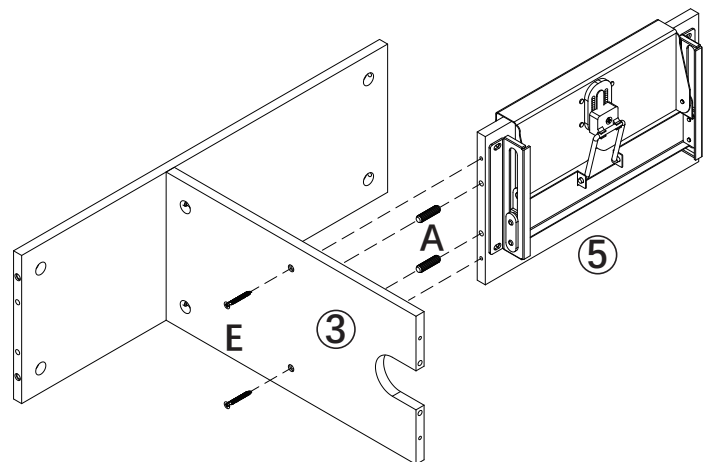
**7** Part #N is an adjustable stand suitable for holding a tablet, and it can be installed as needed. Connect Part #5 and Part #N with Screw Ix4.



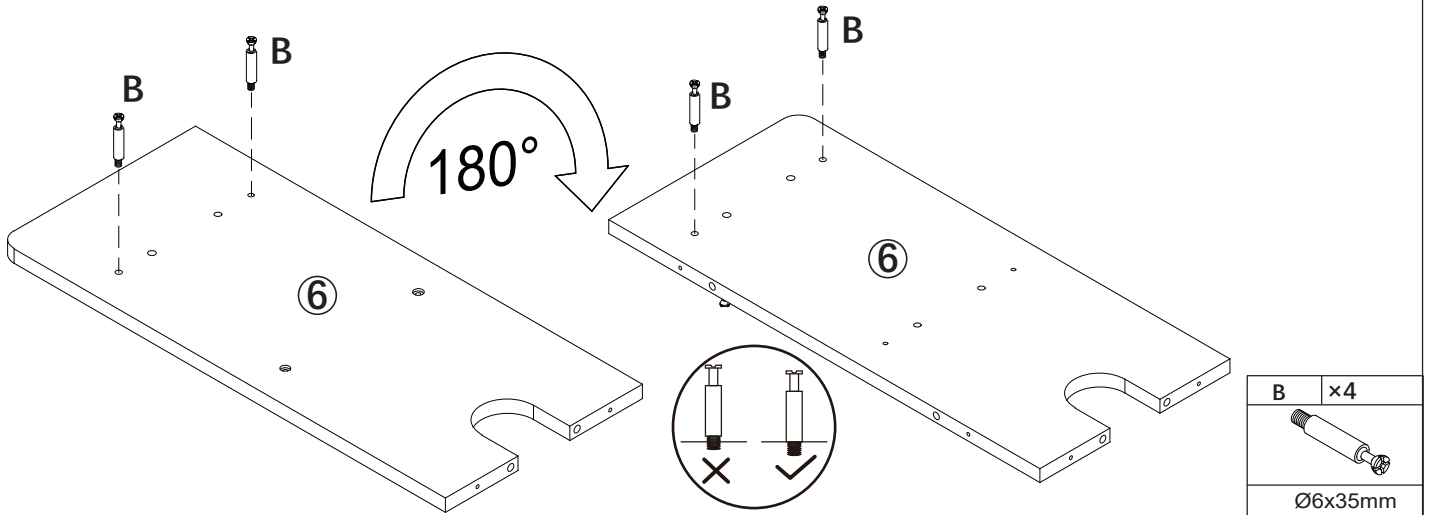
**8** Connect the Part #3 and Part #4 with Dowel Ax2 as shown with Connector Nut Cx2-Turn Connector Nuts to lock into place with bolts to tighten.



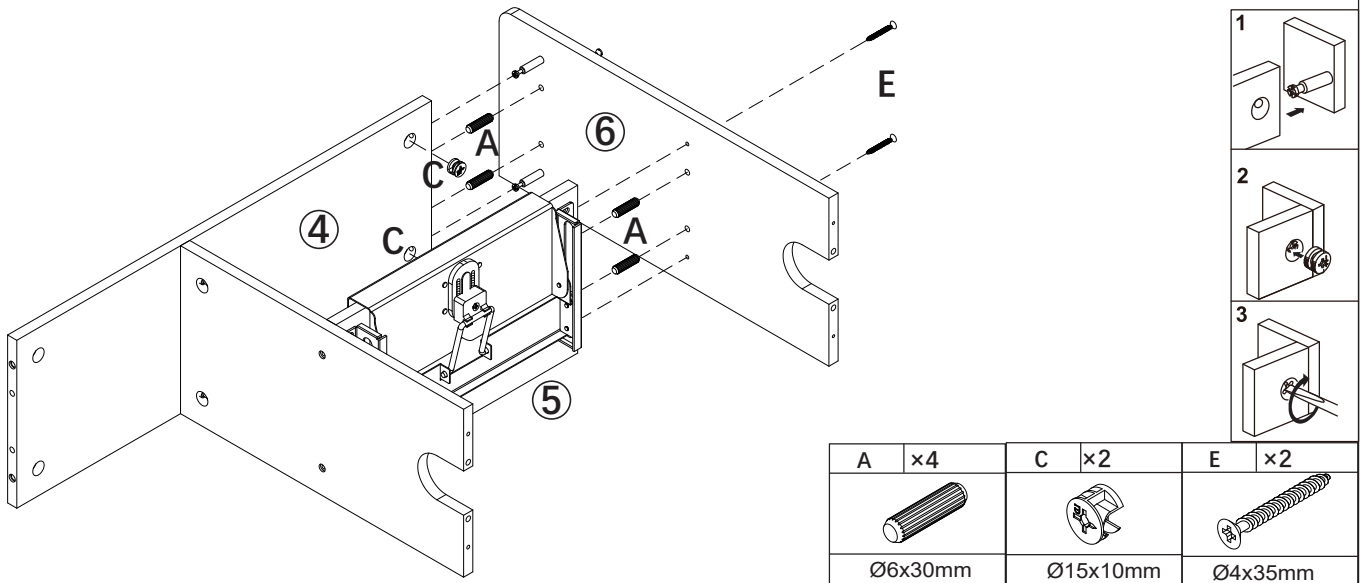
**9** Connect Part #3 and Part #5 with Screw Ex2 and Dowel Ax2.



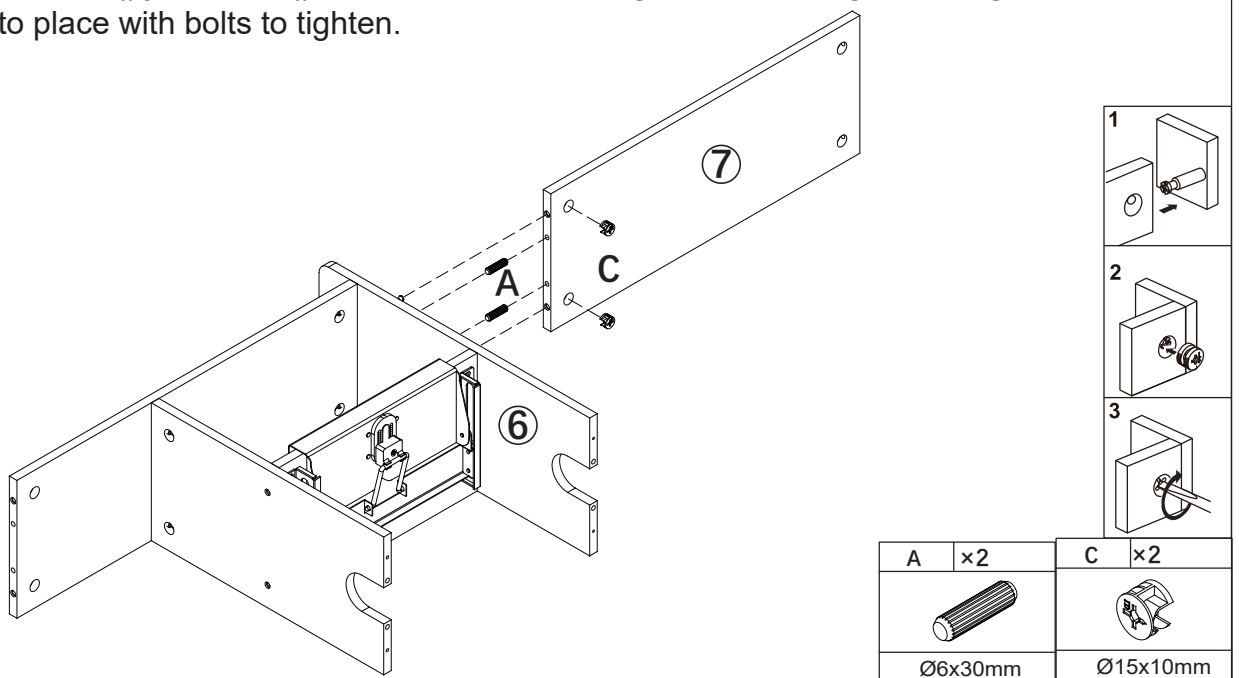
**10** Tighten Bolts Bx2 flush into Part #6 as shown. Flip Part #6 180°, and tighten Bolts Bx2 on the other side.



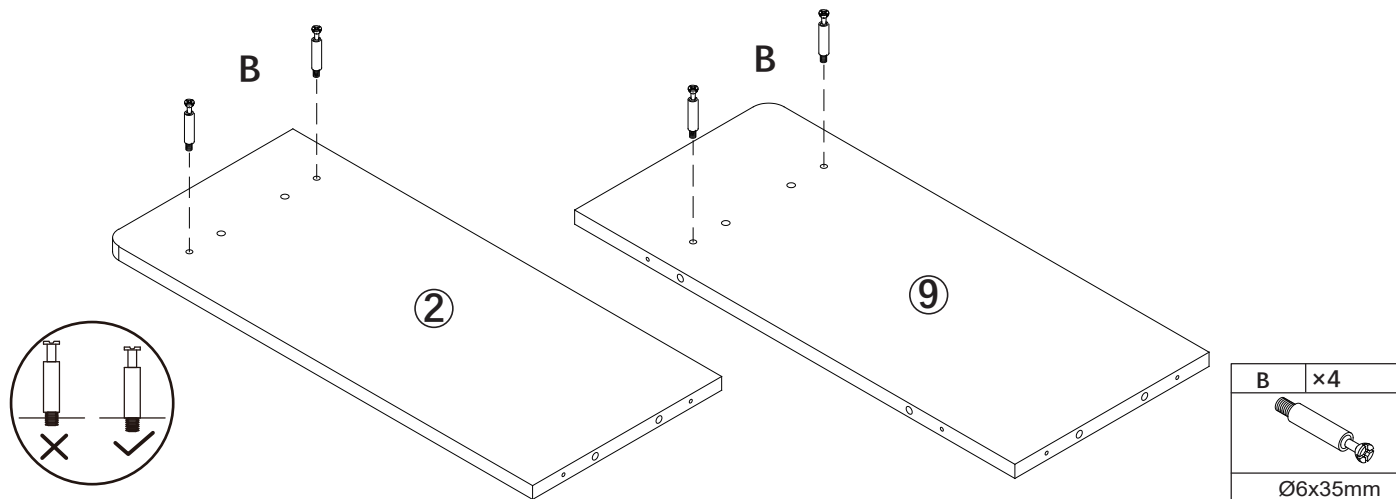
**11** Connect the Part #4 and Part #5 and Part #6 with Dowel Ax4, Screw Ex2 and Connector Nut Cx2-Turn Connector Nuts to lock into place with bolts to tighten.



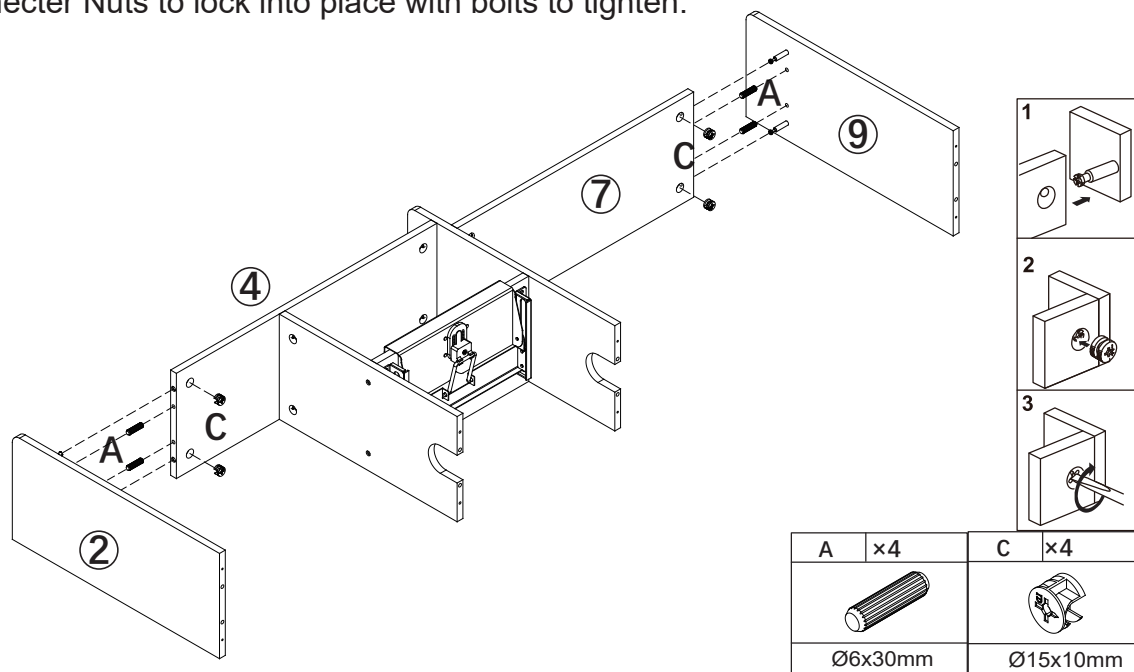
**12** Connect the Part #6 and Part #7 with Dowel Ax2 and Connector Nut Cx2-Turn Connector Nuts to lock into place with bolts to tighten.



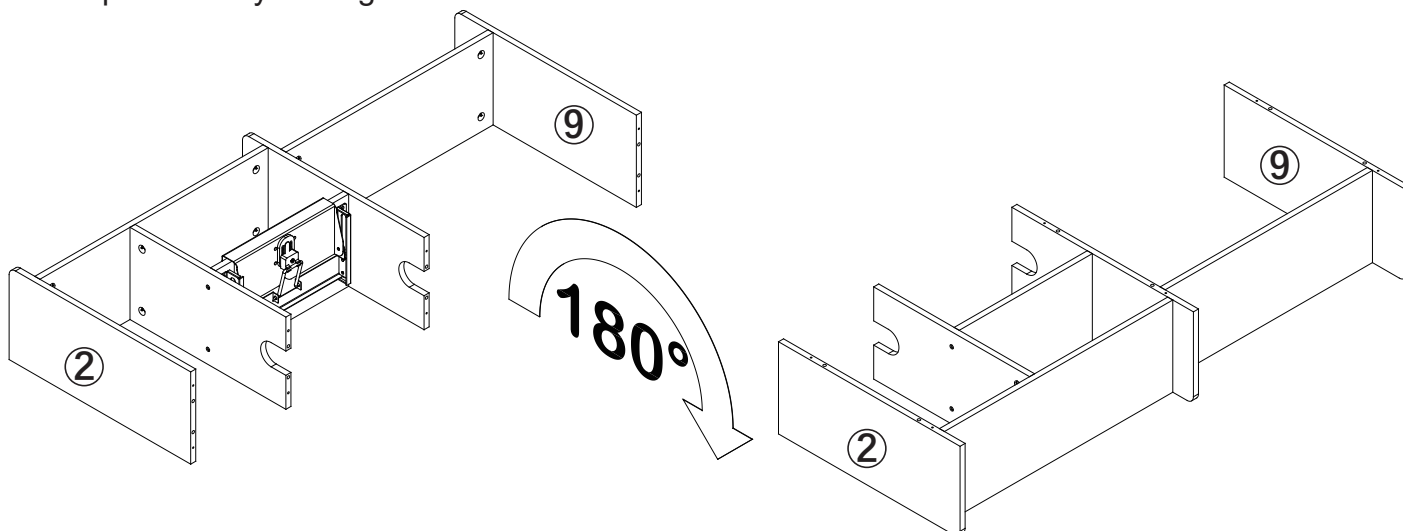
**13** Tighten Bolts Bx2 flush into Part #2 and tighten Bolts Bx2 flush into Part #9 as shown.



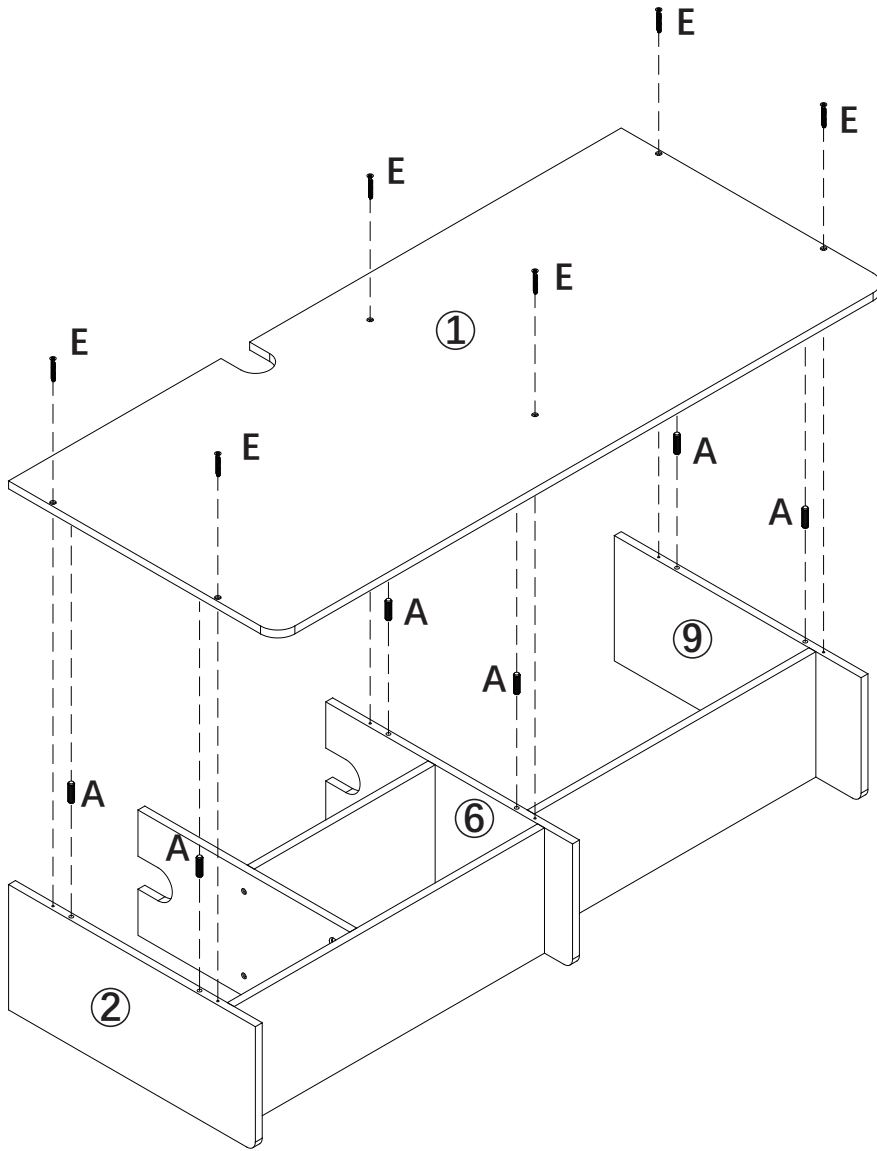
**14** Connect the Part #2, Part #9 and assembled part shown with Dowel Ax4 and Connector Nut Cx4-Turn Connector Nuts to lock into place with bolts to tighten.

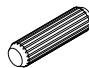
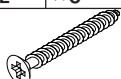


**15** Flip the entire assembled section 180° as shown.  
**Note:** The assembled section is not fully connected, so be careful during the flip to avoid damaging the screw connections. Also, pay attention to the position of the tablet stand (Part #N) to prevent any damage.

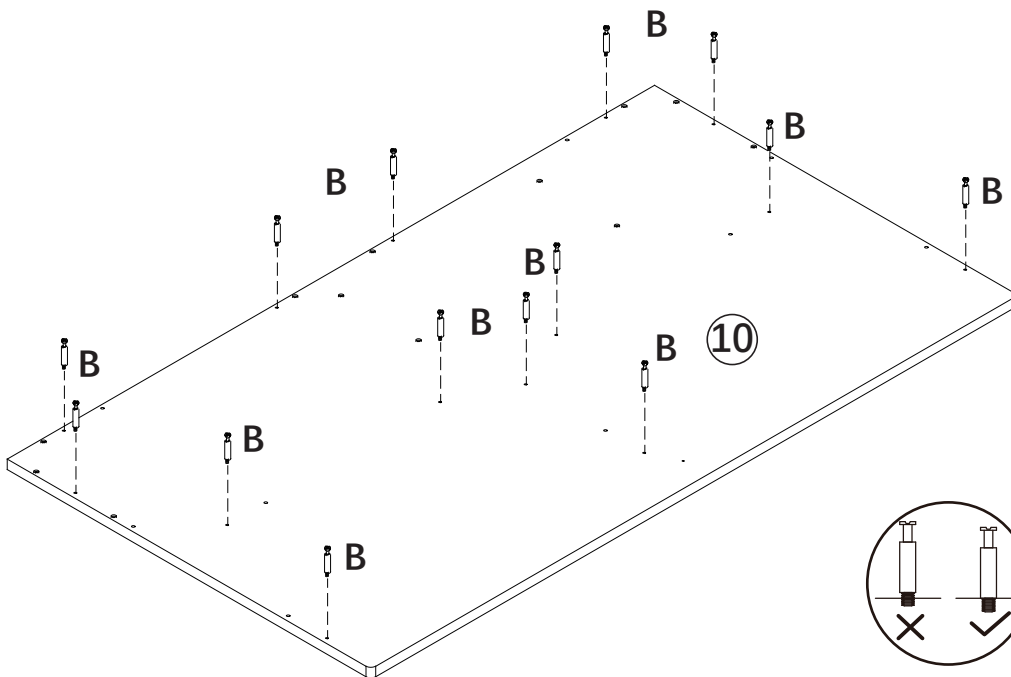


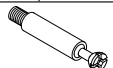
**16** Connect Part #1 and assembled part with Screw Ex6 and Dowel Ax6.



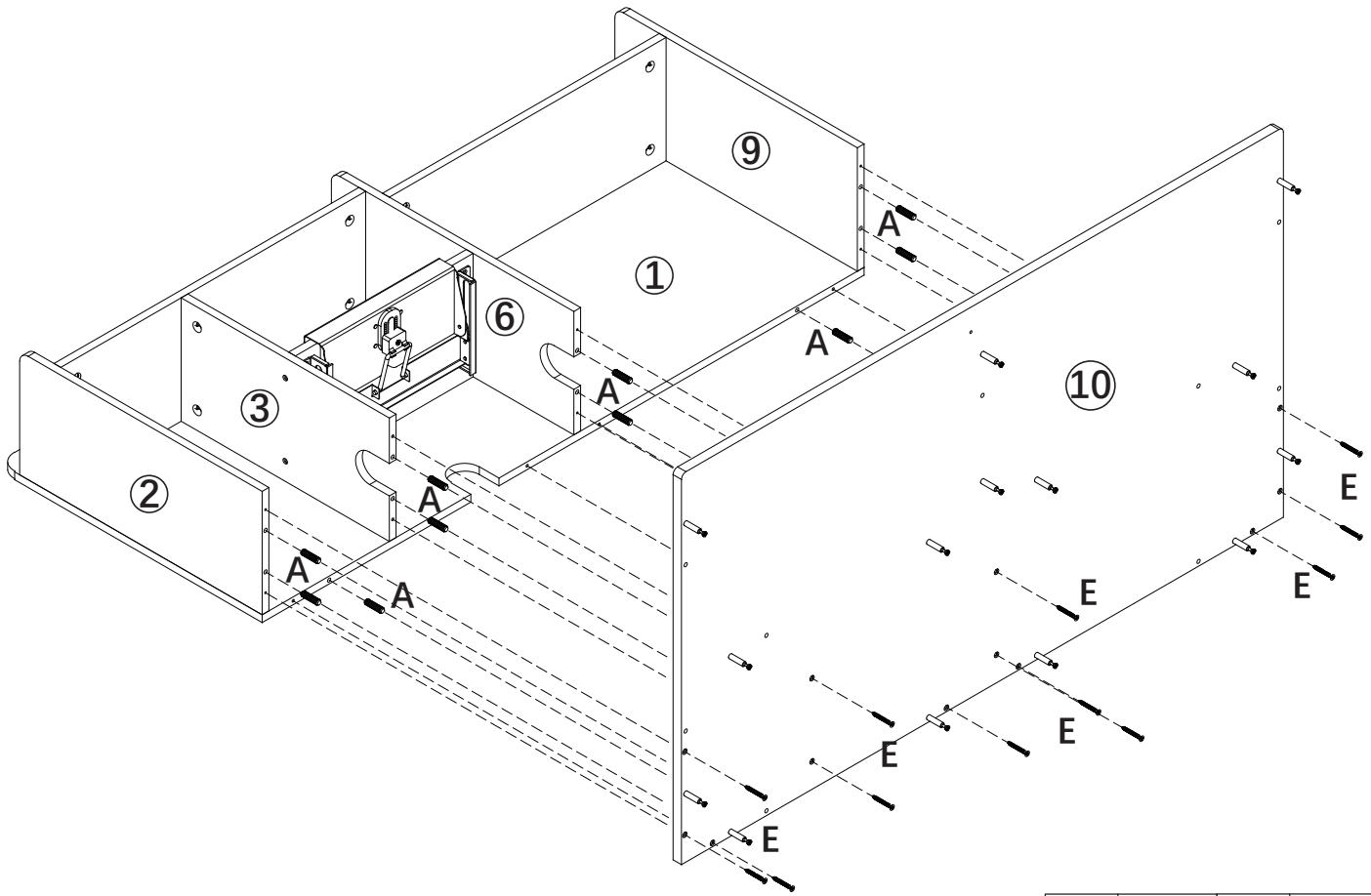
A	×6	E	×6
			
Ø6x30mm		Ø4x35mm	

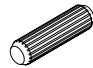
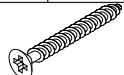
**17** Tighten Bolts Bx14 flush into Part #10 as shown.



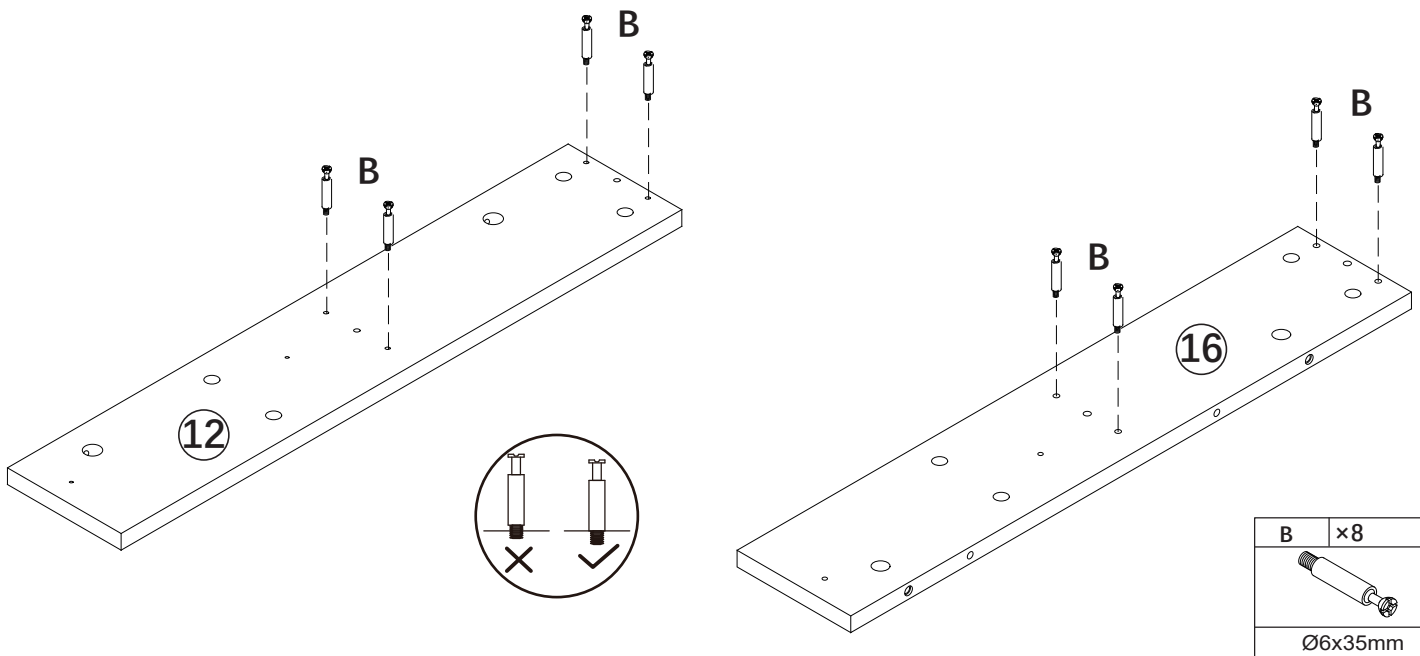
B	×14
	
Ø6x35mm	

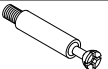
**18** Connect Part #10 and assembled part with Screw Ex12 and Dowel Ax10.



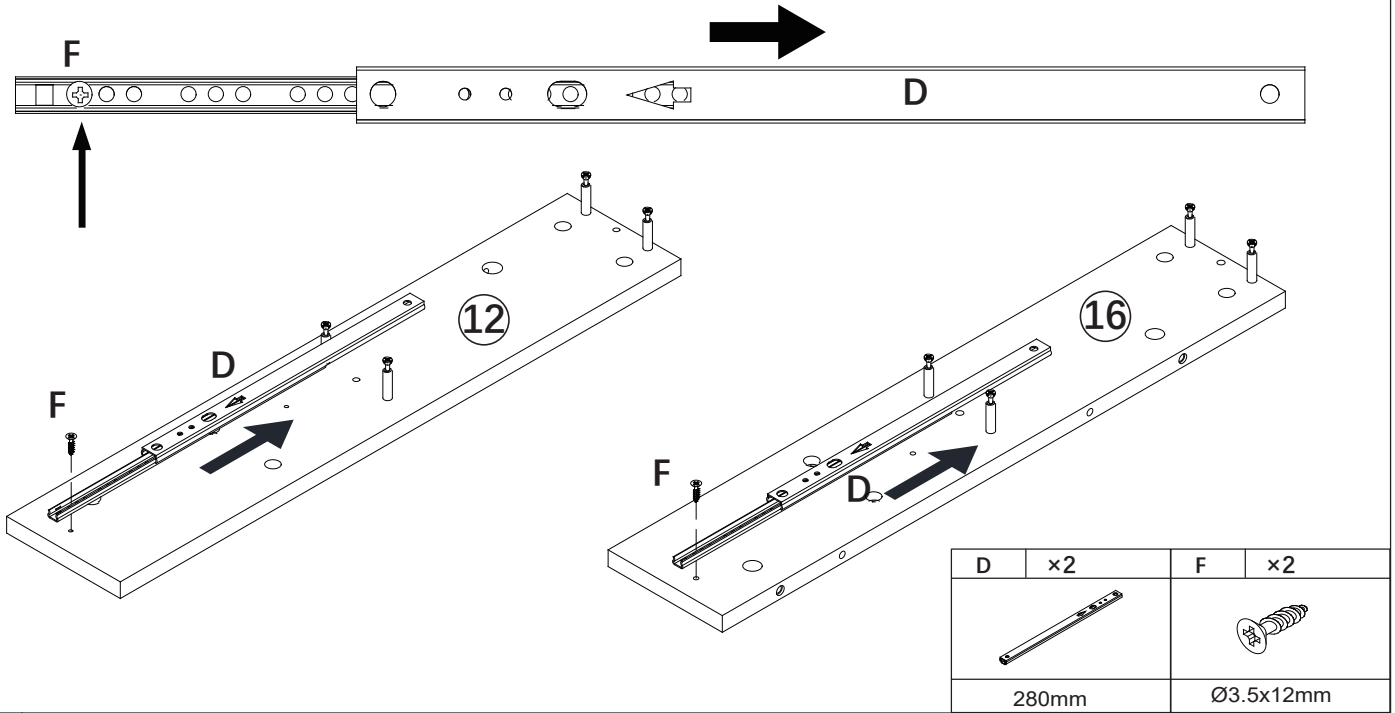
A	×10	E	×12
			
Ø6x30mm		Ø4x35mm	

**19** Tighten Bolts Bx8 flush into Part #12 and Part #16 as shown.

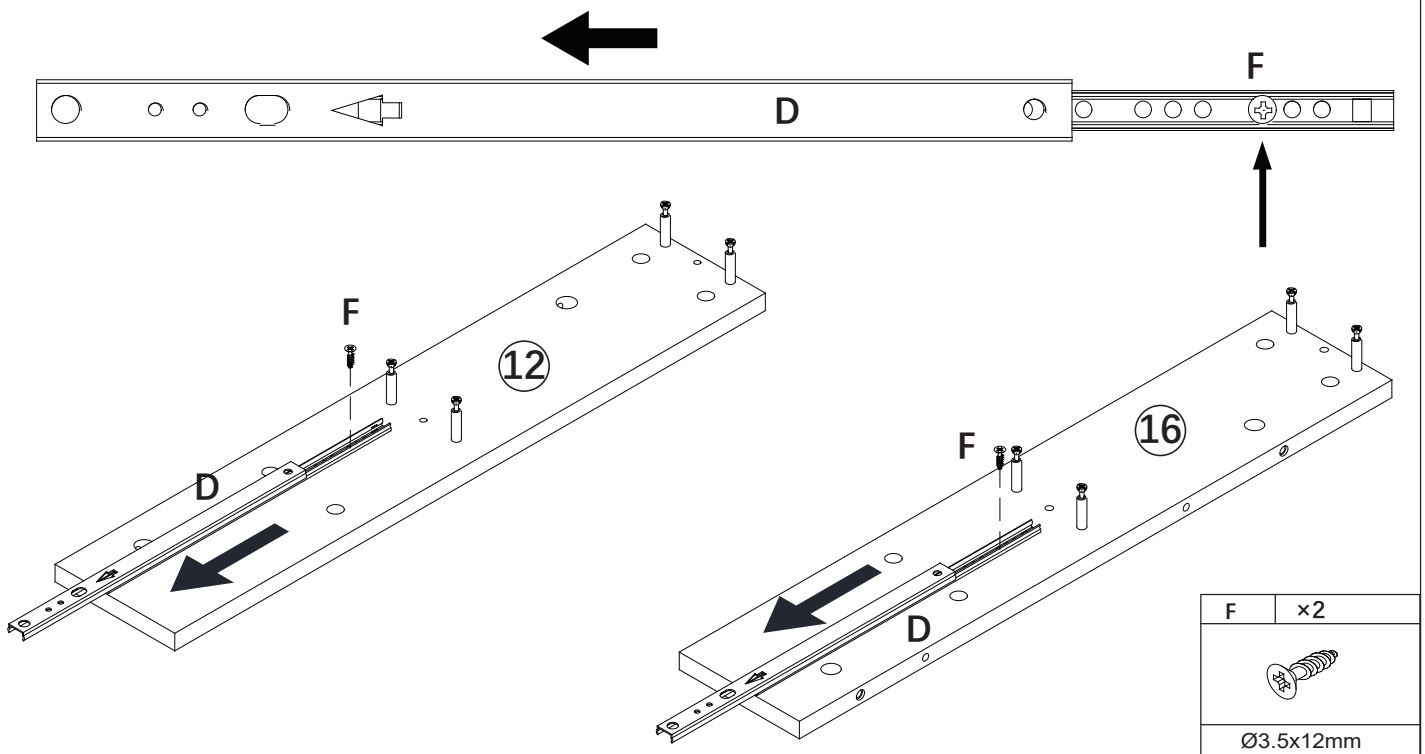


B	×8
	
Ø6x35mm	

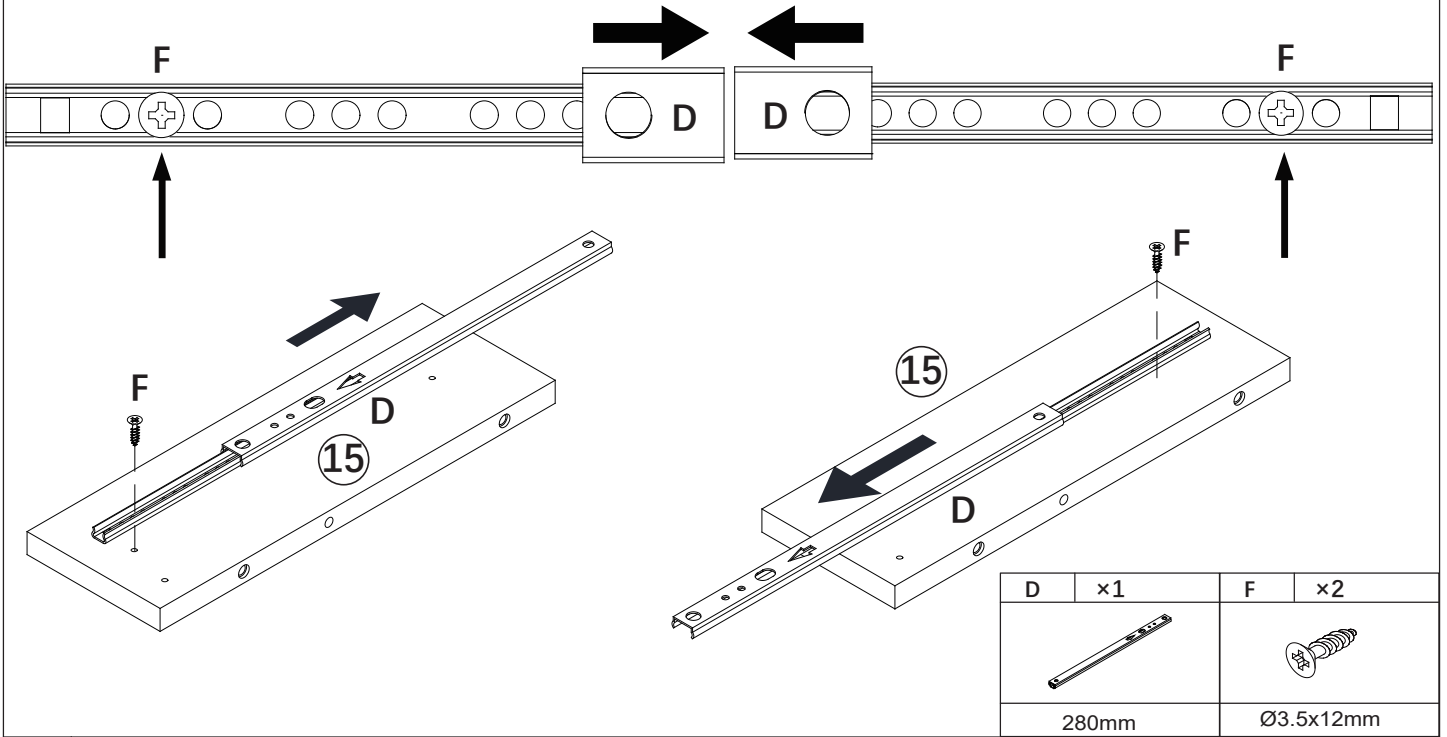
- 20** As shown in the diagram, extend rail D and use Screw F to connect rail D to Part #12 and rail D to Part #16. Ensure Screws F are positioned as indicated by the arrows, connecting rail D at the leftmost holes.



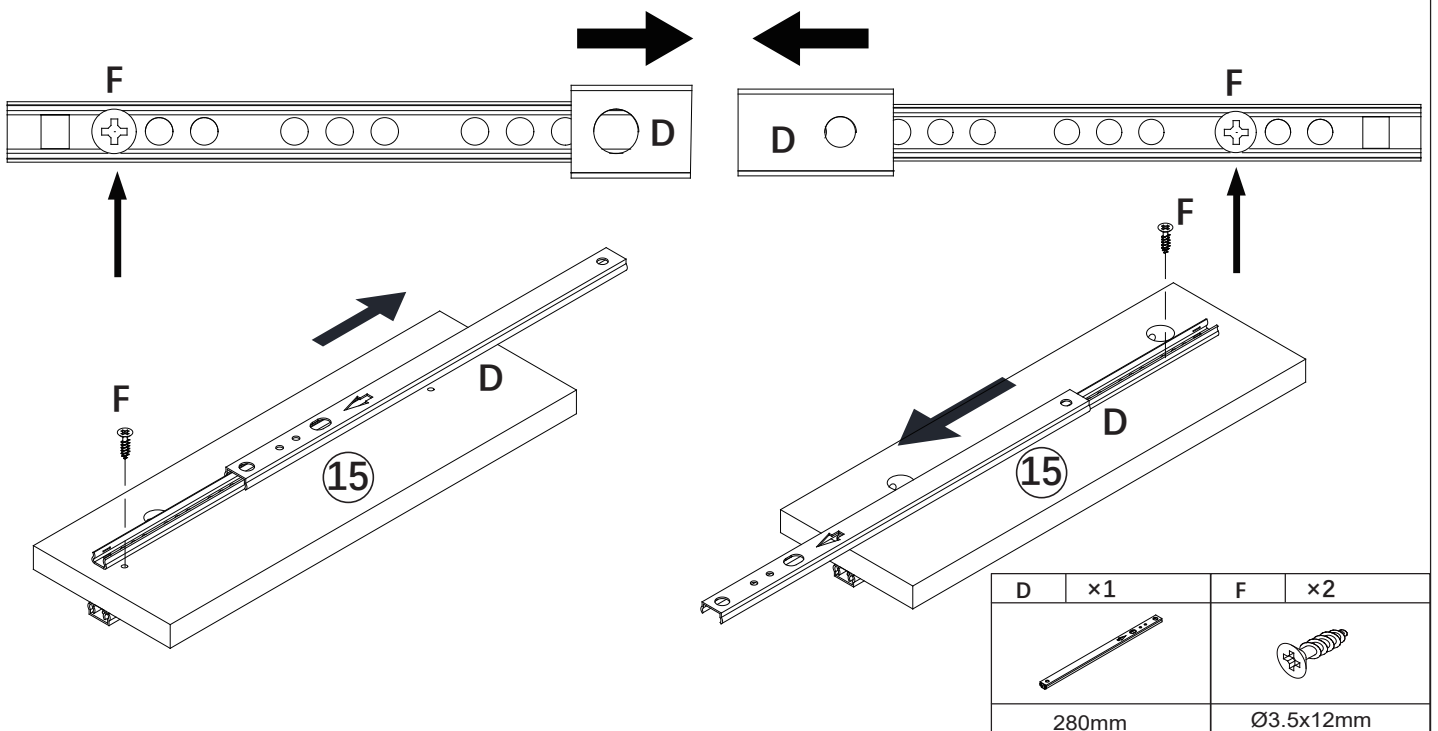
- 21** Move guide rail D in the opposite direction and secure it by inserting Screw F at the other end. Make sure Screw F is positioned as indicated by the arrow, connecting to the third hole from the right end of guide rail D.



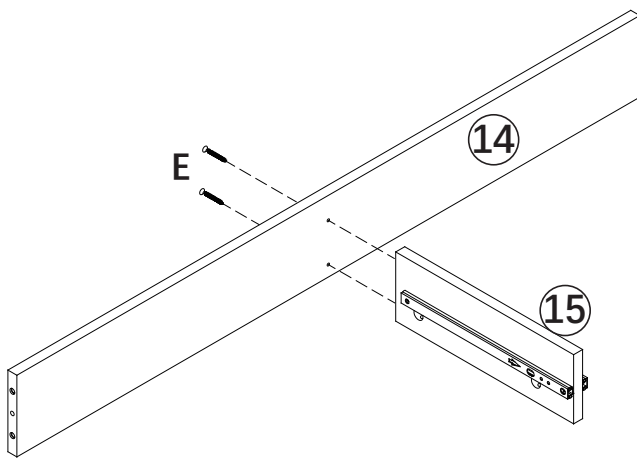
**22** Determine the orientation of the guide rail based on the hole positions of Part #15. Place the wooden board as shown in the diagram, with a small hole in the lower left corner. Then, install guide rail D according to the previous steps. Make sure Screw F is positioned as indicated by the arrow, connecting to the second hole from the left end and the third hole from the right end of guide rail D.



**23** Flip 180° Part #15, place the wooden board as shown in the diagram, then install guide rail D according to the steps above. There are 2 large circular holes above the guide rail, and note that Screw F should be positioned as indicated by the arrow. Connect guide rail D to the first hole from the left and the third hole from the right.

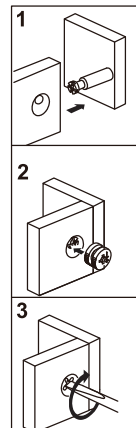
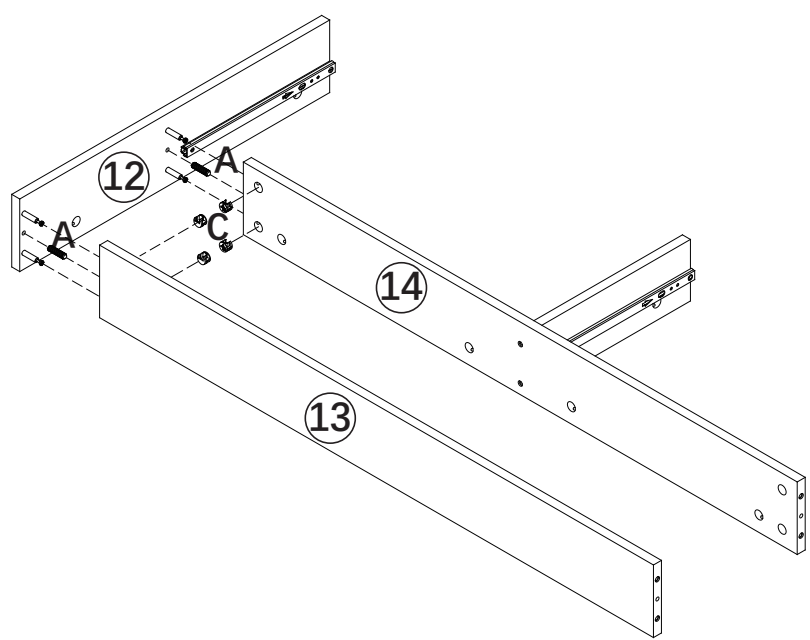


**24** Connect Part #14 and Part #15 with Screw Ex2.  
 NOTE: Please pay attention to the orientation of the boards when installing steps 23, 25, and 26. In the illustrations, the side of all boards with holes should be facing the ground.



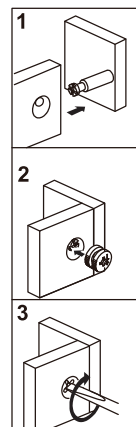
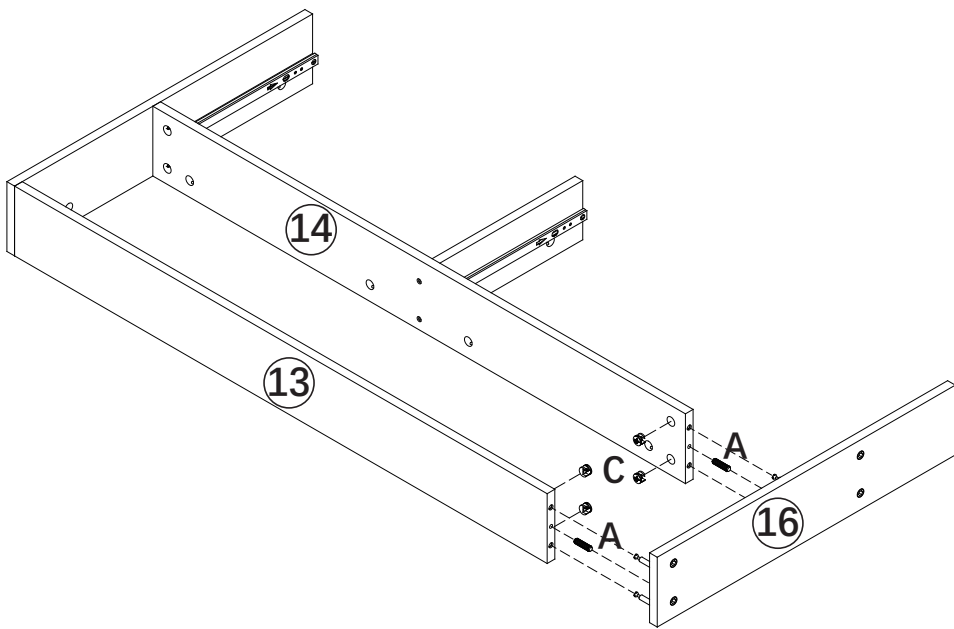
E	x2
Ø4x35mm	

**25** Connect the Part #13, Part #14 and Part #12 with Dowel Ax2 and Connector Nut Cx4-Turn Connector Nuts to lock into place with bolts to tighten.



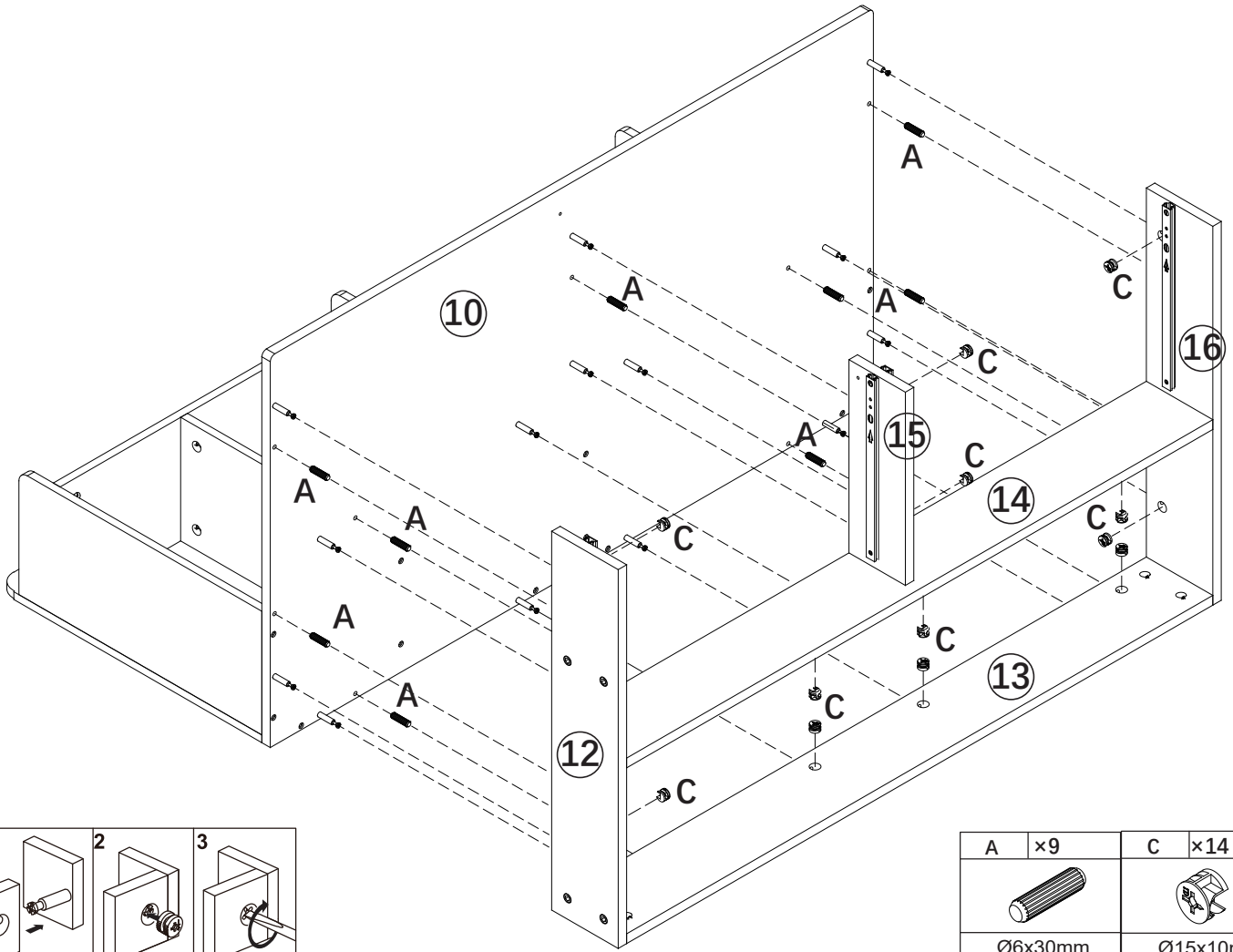
A	x2	C	x4
Ø6x30mm		Ø15x10mm	

**26** Connect the Part #13, Part #14 and Part #16 with Dowel Ax2 and Connector Nut Cx4-Turn Connector Nuts to lock into place with bolts to tighten.

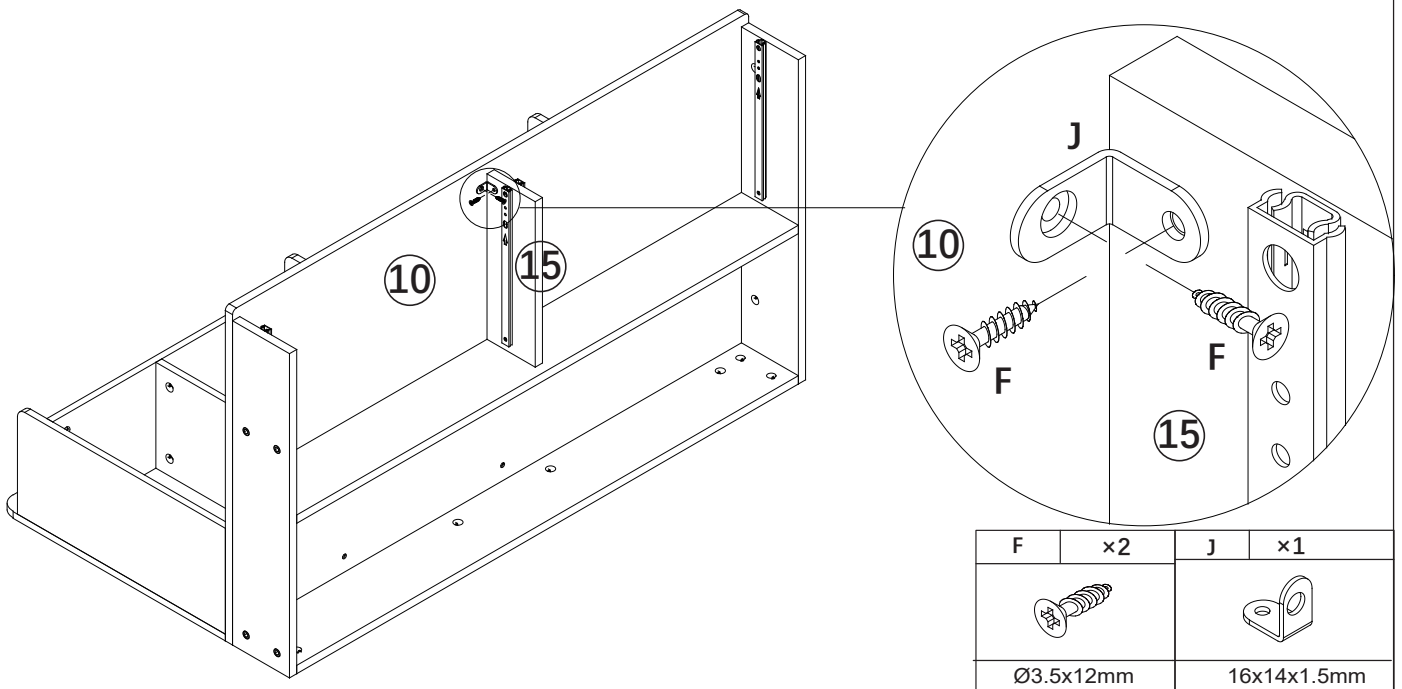


A	x2	C	x4
Ø6x30mm		Ø15x10mm	

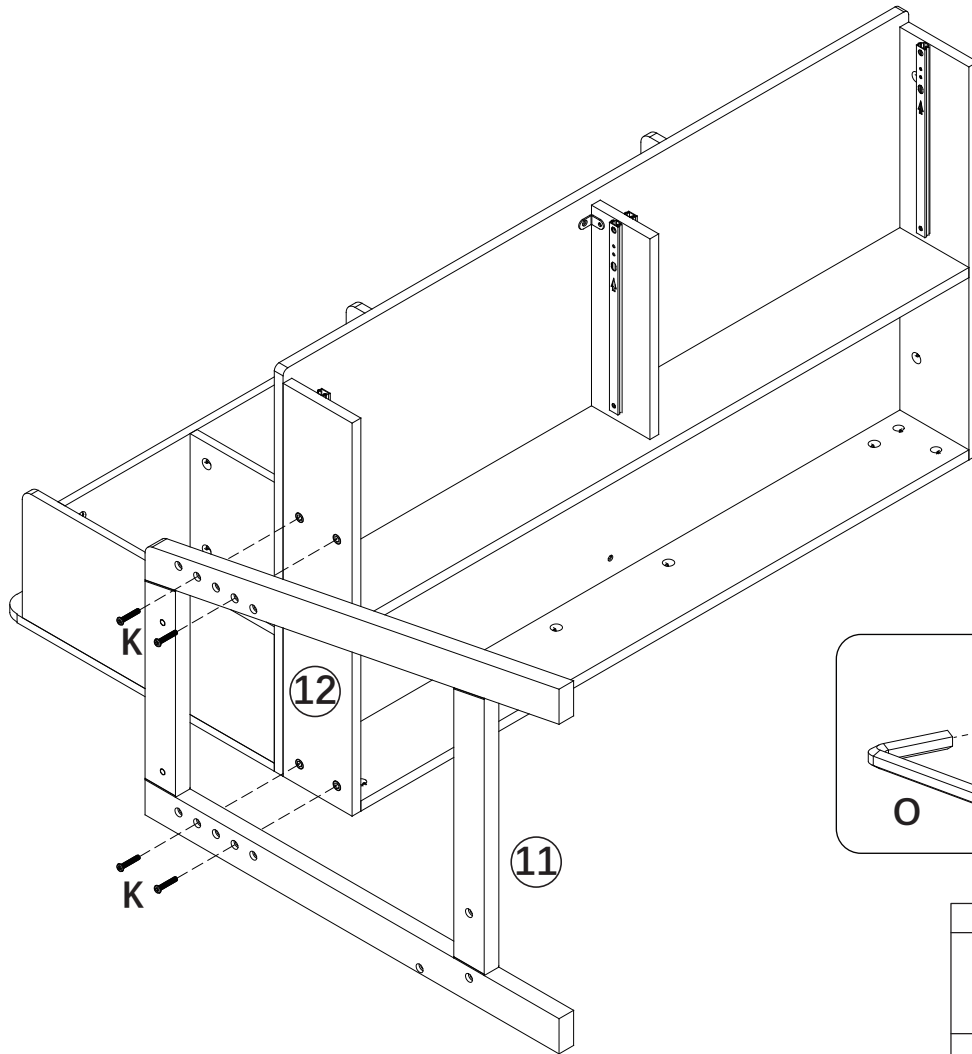
**27** Connect the two assembled parts shown with Dowel Ax9 and Connector Nut Cx14-Turn Connector Nuts to lock into place with bolts to tighten.

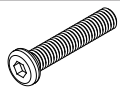
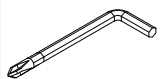


**28** Install Part#J as show and use Screw F x2 to connect it to the holes on Part #10 and Part #15.

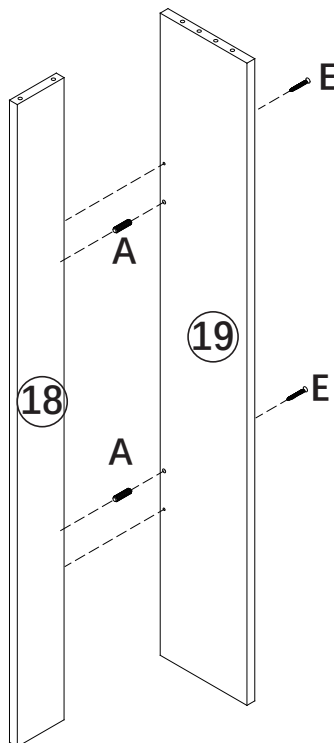


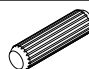
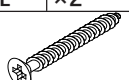
**29** Choose the appropriate height level for the table legs based on the actual age and height of the child. You can refer to the table on page 2 of the manual for specific height selections. Connect Part #11 and Part #12 with Screw Kx4.



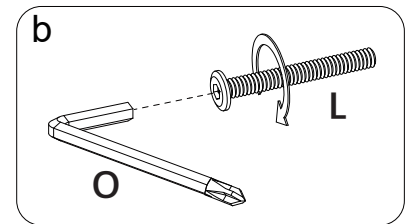
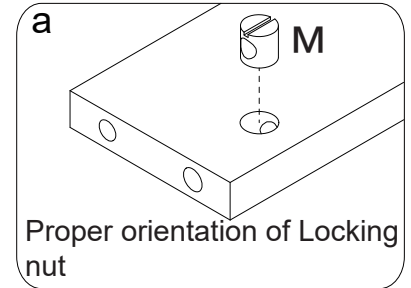
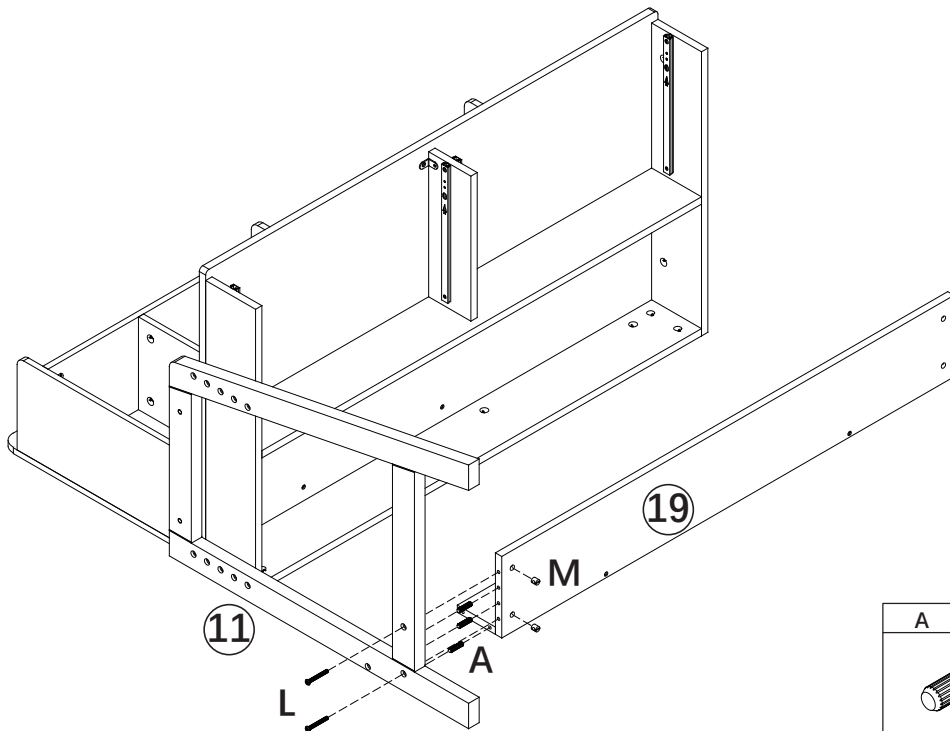
K	x4	O	x1
			
M6x35mm			

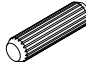
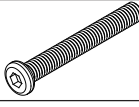

**30** Connect Part #18 and Part #19 with Dowel Ax2 and Screw Ex2.



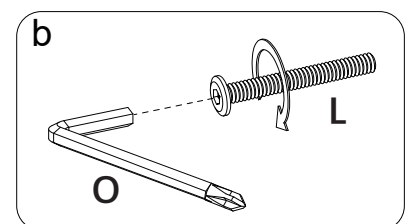
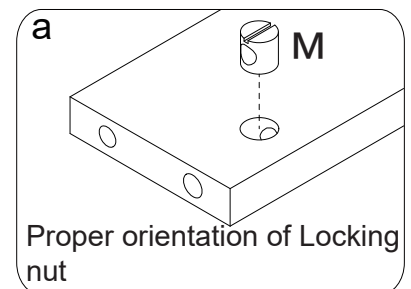
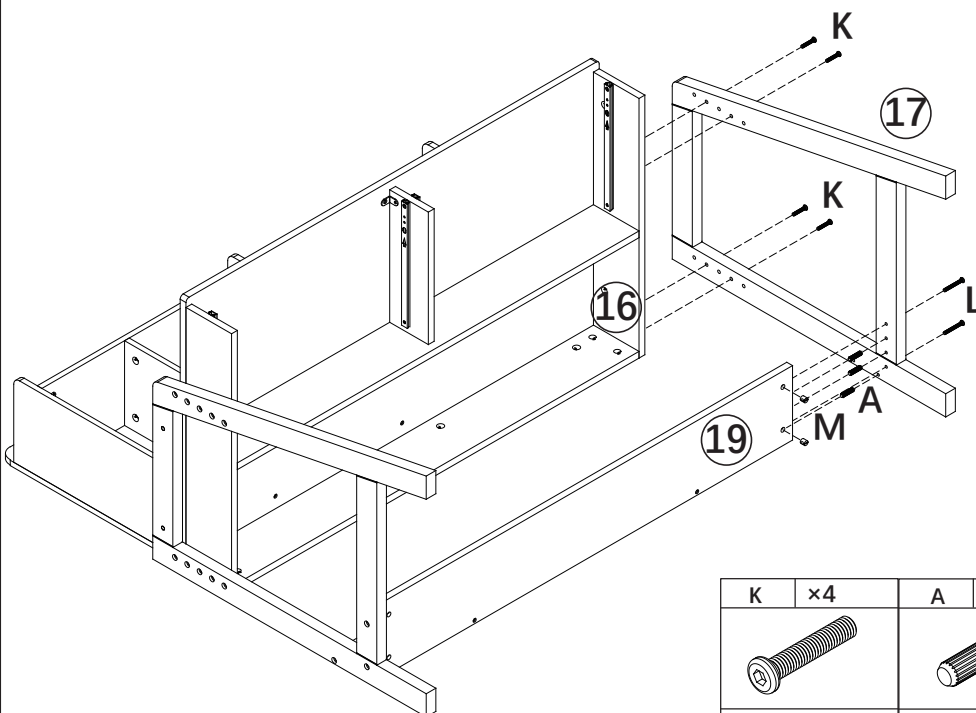
A	x2	E	x2
			
Ø6x30mm		Ø4x35mm	

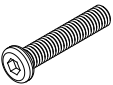
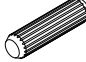


**31** Insert lock Nuts Mx2 into the holes in Part #19 as shown in the diagram, ensuring to align the position of the hole like the illustration. Connect Part #11 and Part #19 with Dowel Ax3 and Screw Lx2.



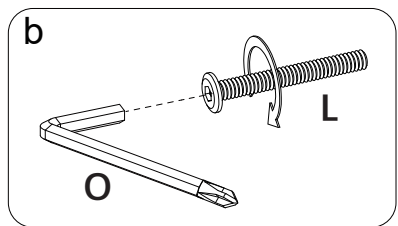
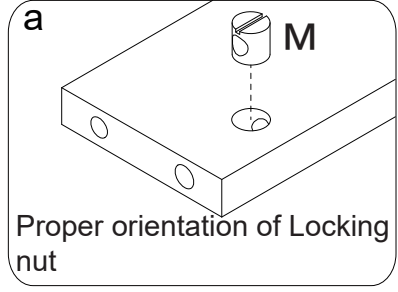
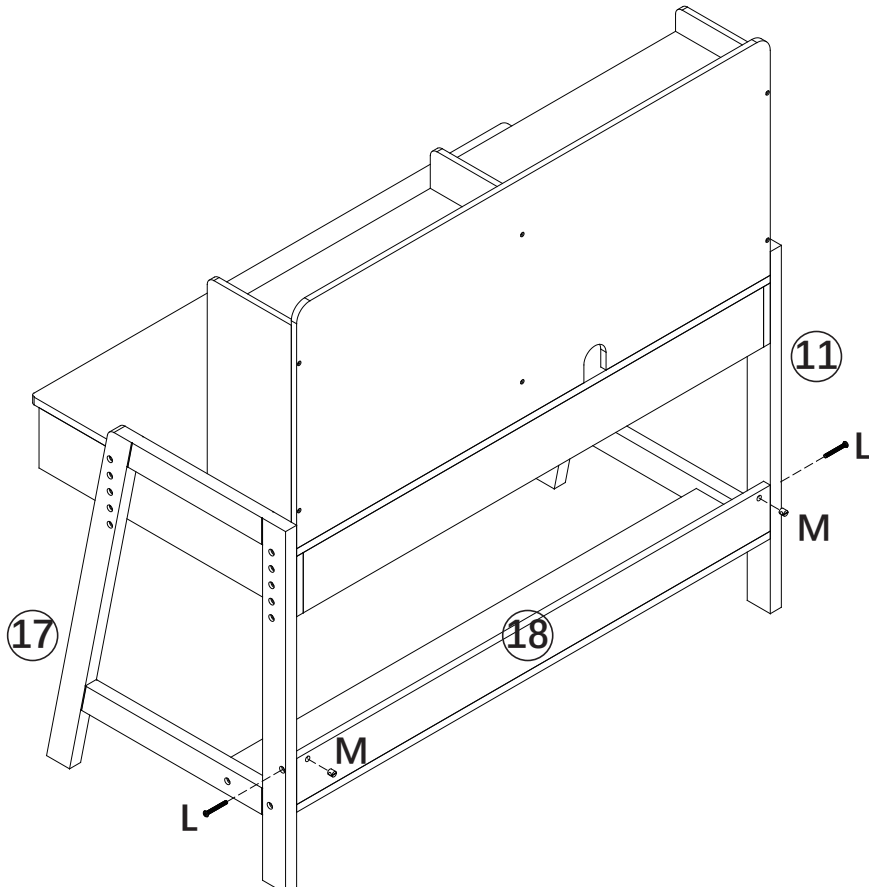
A	×3	L	×2	M	×2
					
∅6x30mm		M6x50mm		10x12mm	

**32** Insert lock Nuts Mx2 into the holes in Part #19 as shown in the diagram, ensuring to align the position of the hole like the illustration. Connect Part #16, Part #17 and Part #19 with Dowel Ax3 and Screw Lx2 and Screw Kx4.



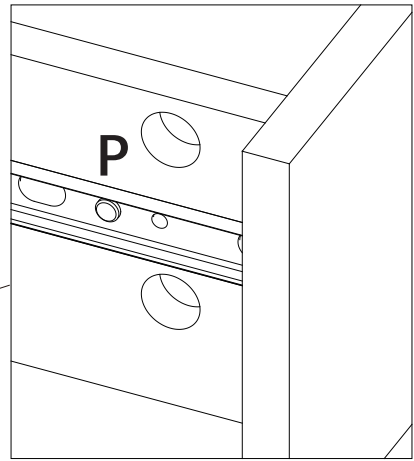
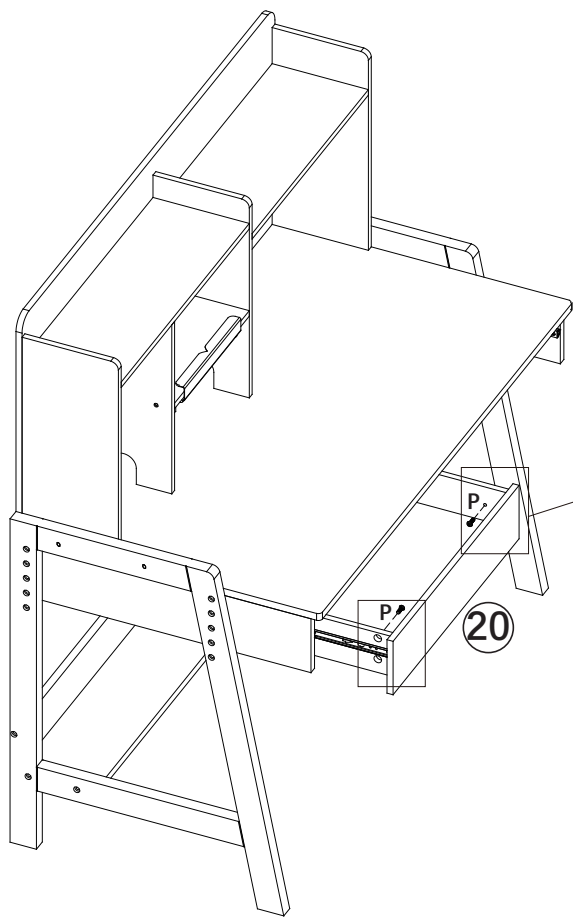
K	×4	A	×3	L	×2	M	×2
							
M6x35mm		∅6x30mm		M6x50mm		10x12mm	

**33** Insert lock Nuts Mx2 into the holes in Part #18 as shown in the diagram, ensuring to align the position of the hole like the illustration. Connect Part #11, Part #17 and Part #18 with Screw Lx2.



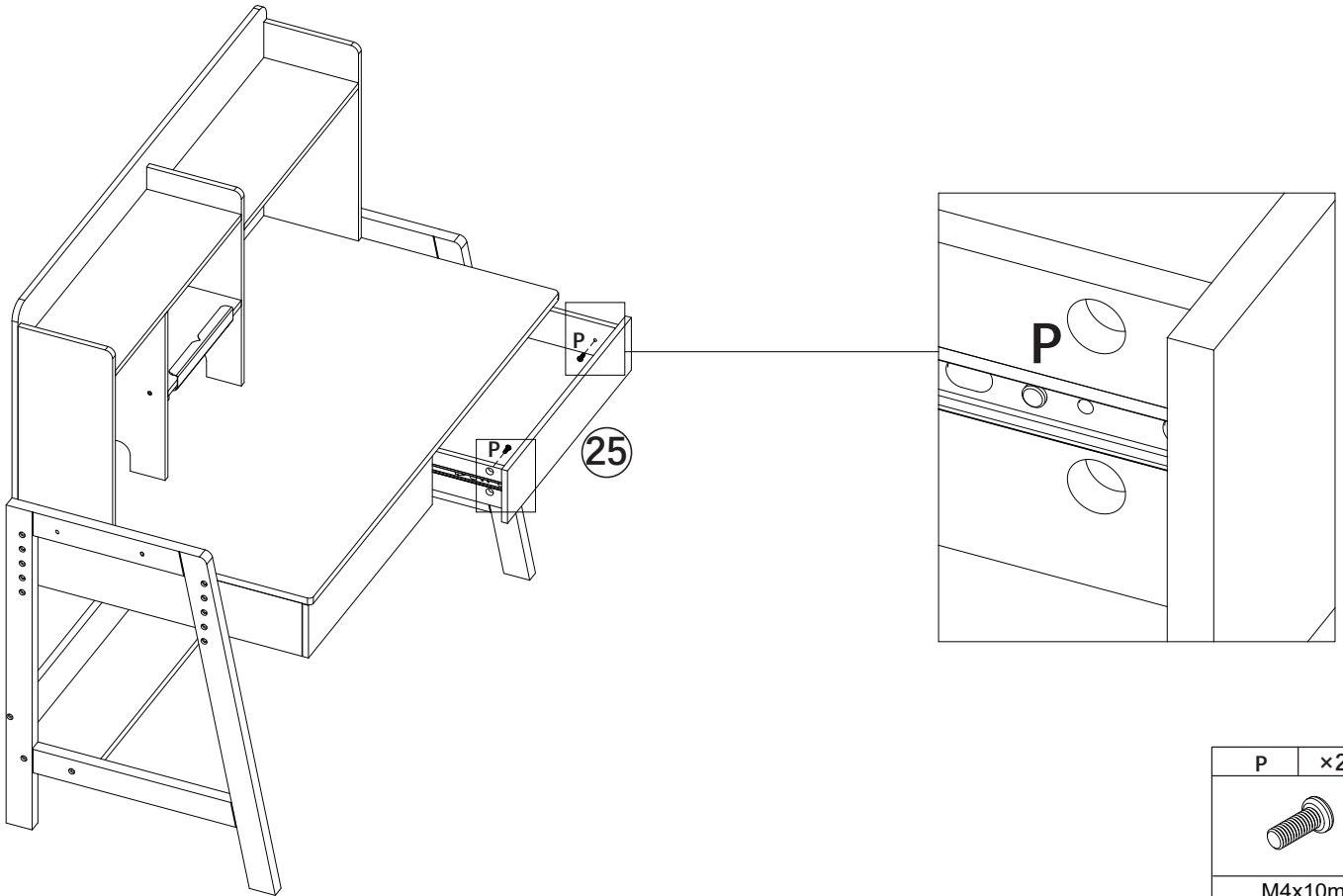
L	x2	M	x2
M6x50mm		10x12mm	

**34** The two drawers cannot be interchanged. Align the drawer labeled 20 with the groove on the guide rail and insert it. Position the guide rail as shown in the diagram and align it with the holes. Screw P from the inside of the drawer outwards to complete the connection.

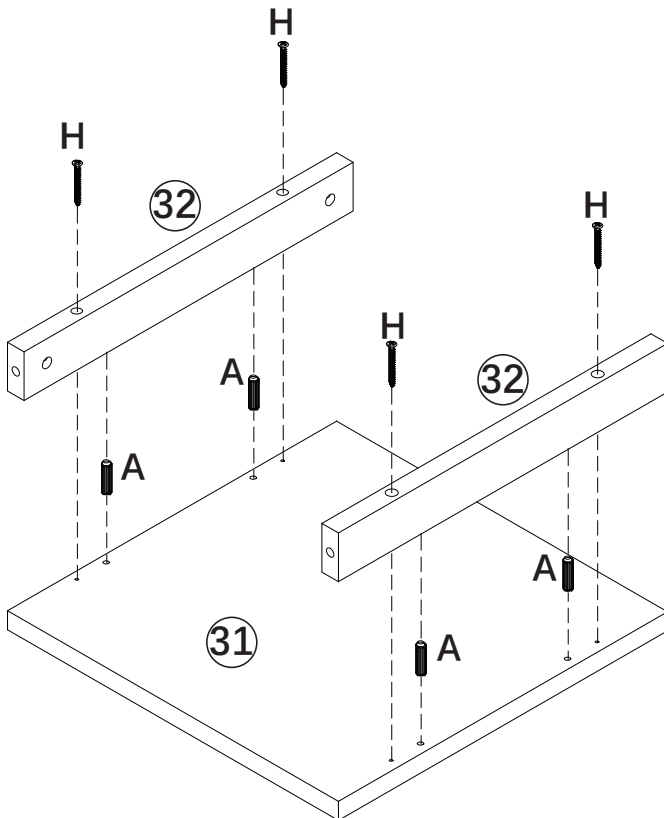




P	x2
M4x10mm	

**35** Connect the right drawer using the same method.

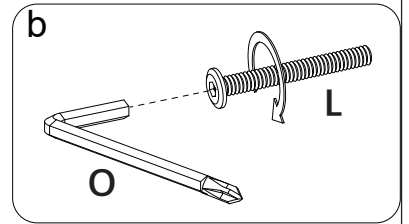
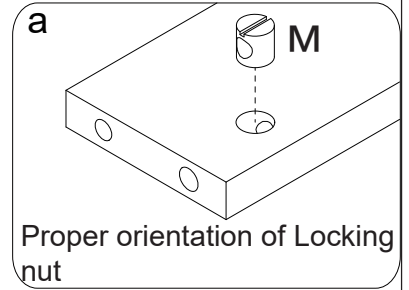
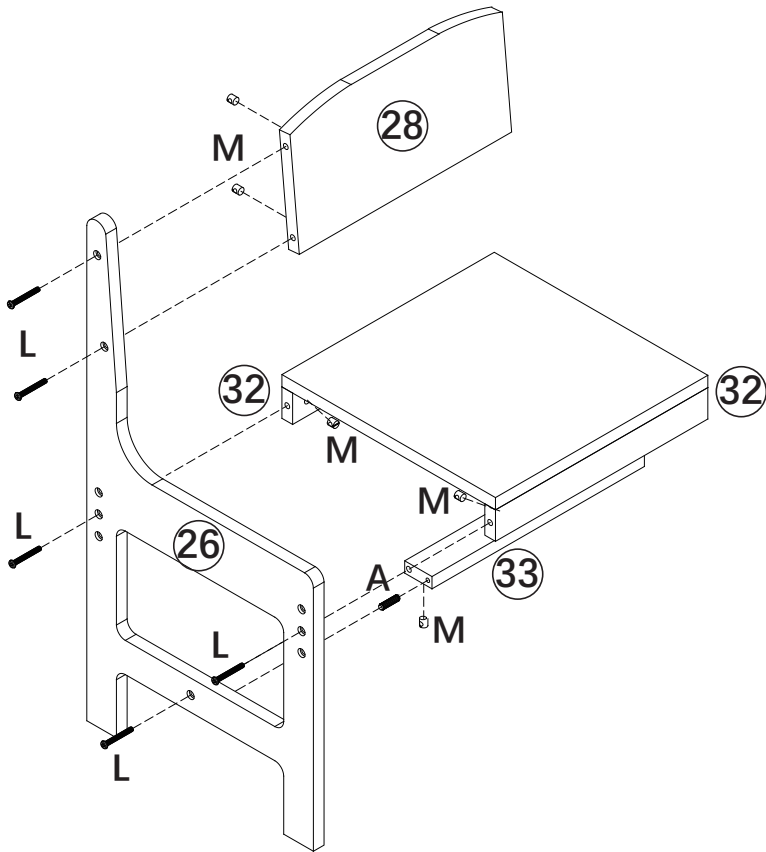


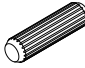
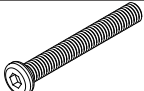

**36** Connect Part #32x2 and Part #31 with Dowel Ax4 and Screw Hx4.



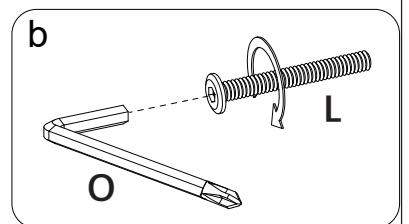
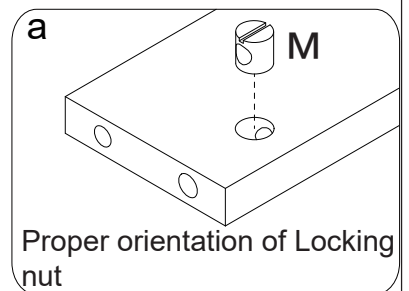
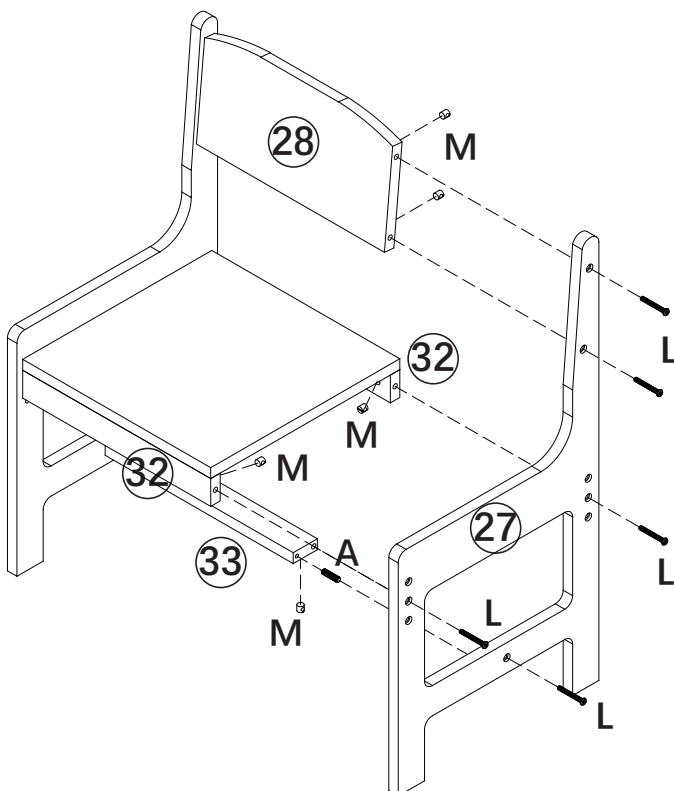
A	x4	H	x4
			
Ø6x30mm		Ø4x45mm	

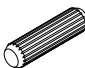
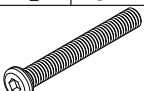

**37** Insert lock Nuts Mx5 into the holes in Part #28, Part #32 and Part #33 as shown in the diagram. Connect the parts with Dowel A and Screw Lx5.



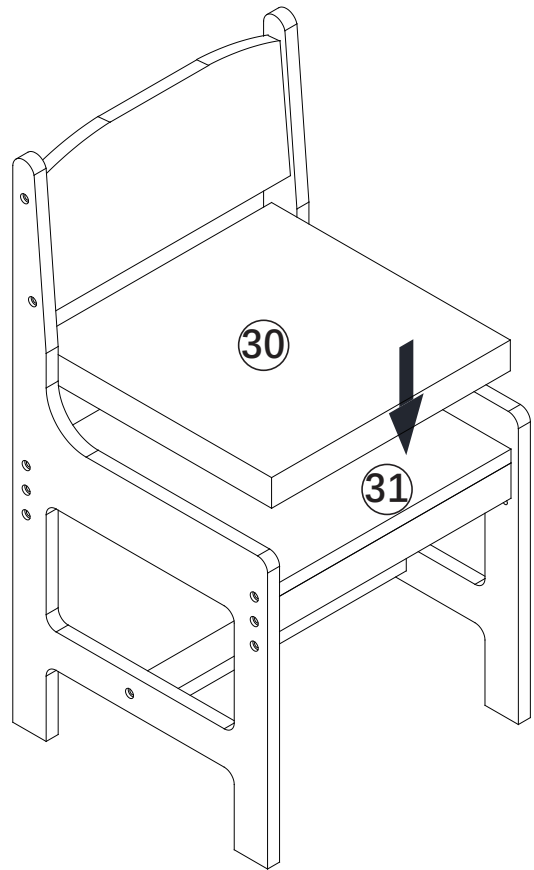
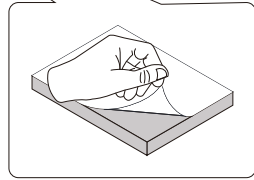
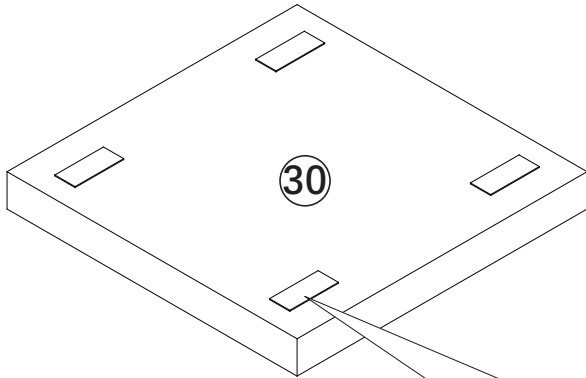
A	×1	L	×5	M	×5
					
∅6x30mm		M6x50mm		10x12mm	

**38** Connect the other side chair leg using the same method.

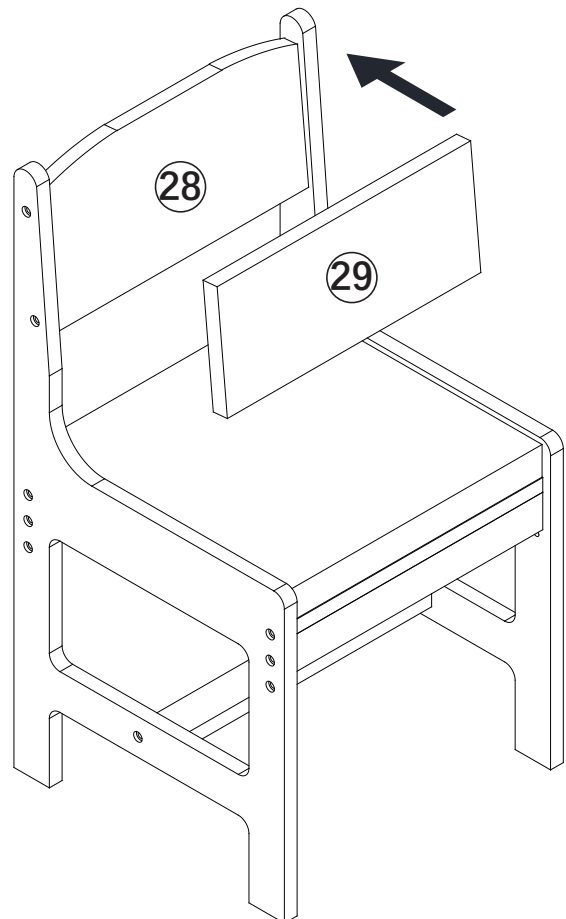
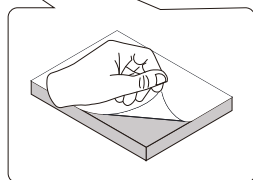
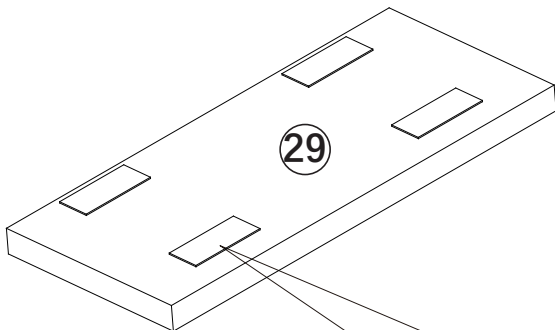


A	×1	L	×5	M	×5
					
∅6x30mm		M6x50mm		10x12mm	

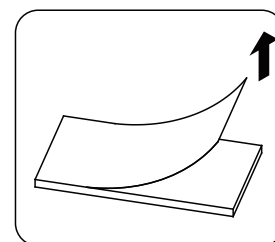
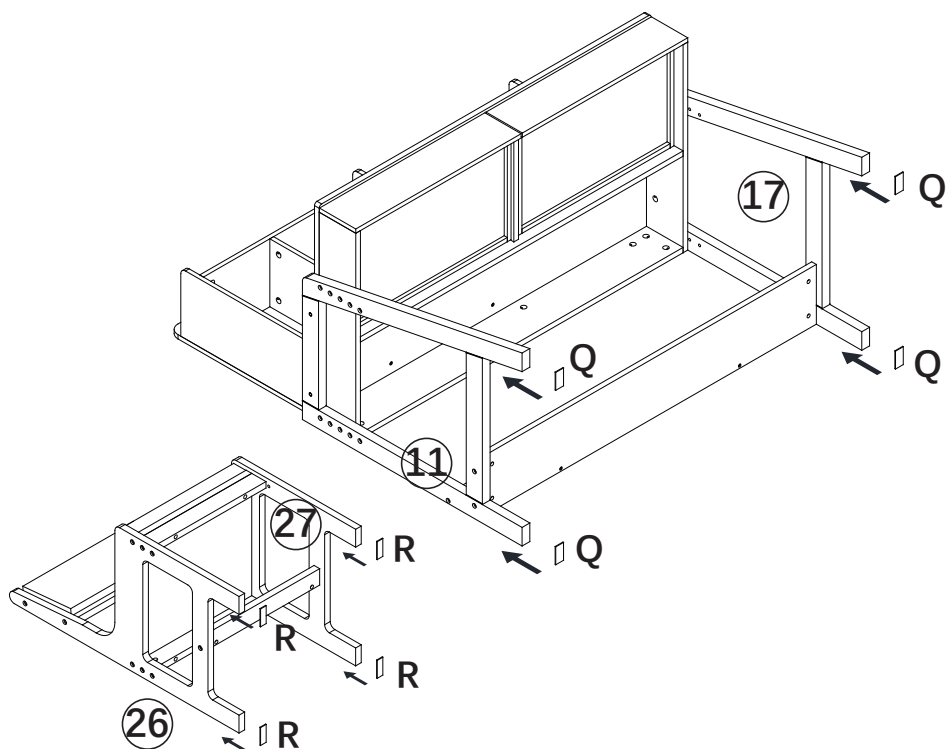
**39** Remove the adhesive backing from the bottom of the cushion (Part #30) and place it on Part #31.



**40** Remove the adhesive backing from the bottom of the cushion (Part #29) and place it on Part #28.

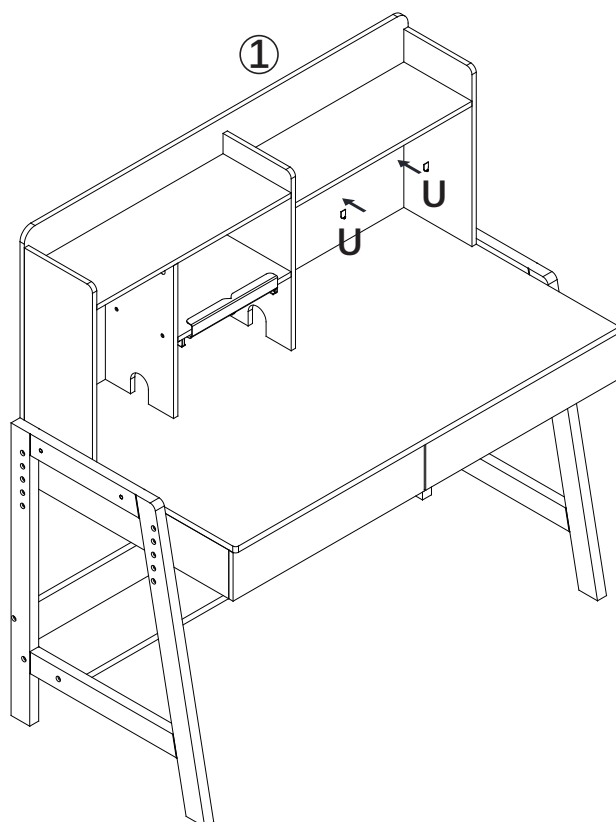


**41** Fittings Q and R are anti-slip pads. Peel off the surface adhesive and stick them to the bottom. Users can choose to install them as desired.



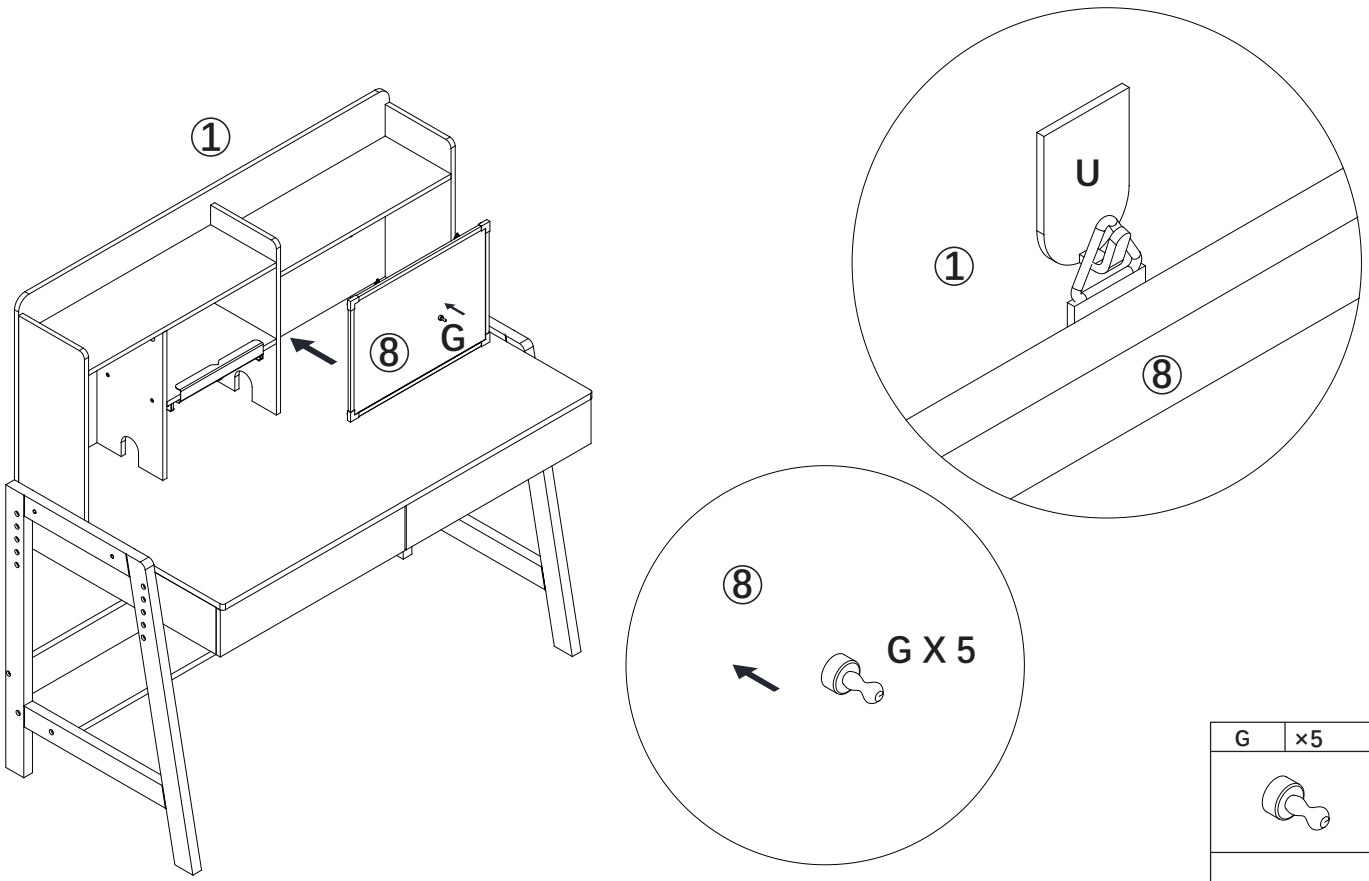
Q	x4	R	x4
50x25x2		50x18x2	

**42** Accessory U is a hook for hanging a small whiteboard. Before installation, measure the position where the whiteboard will hang, then apply the hook.



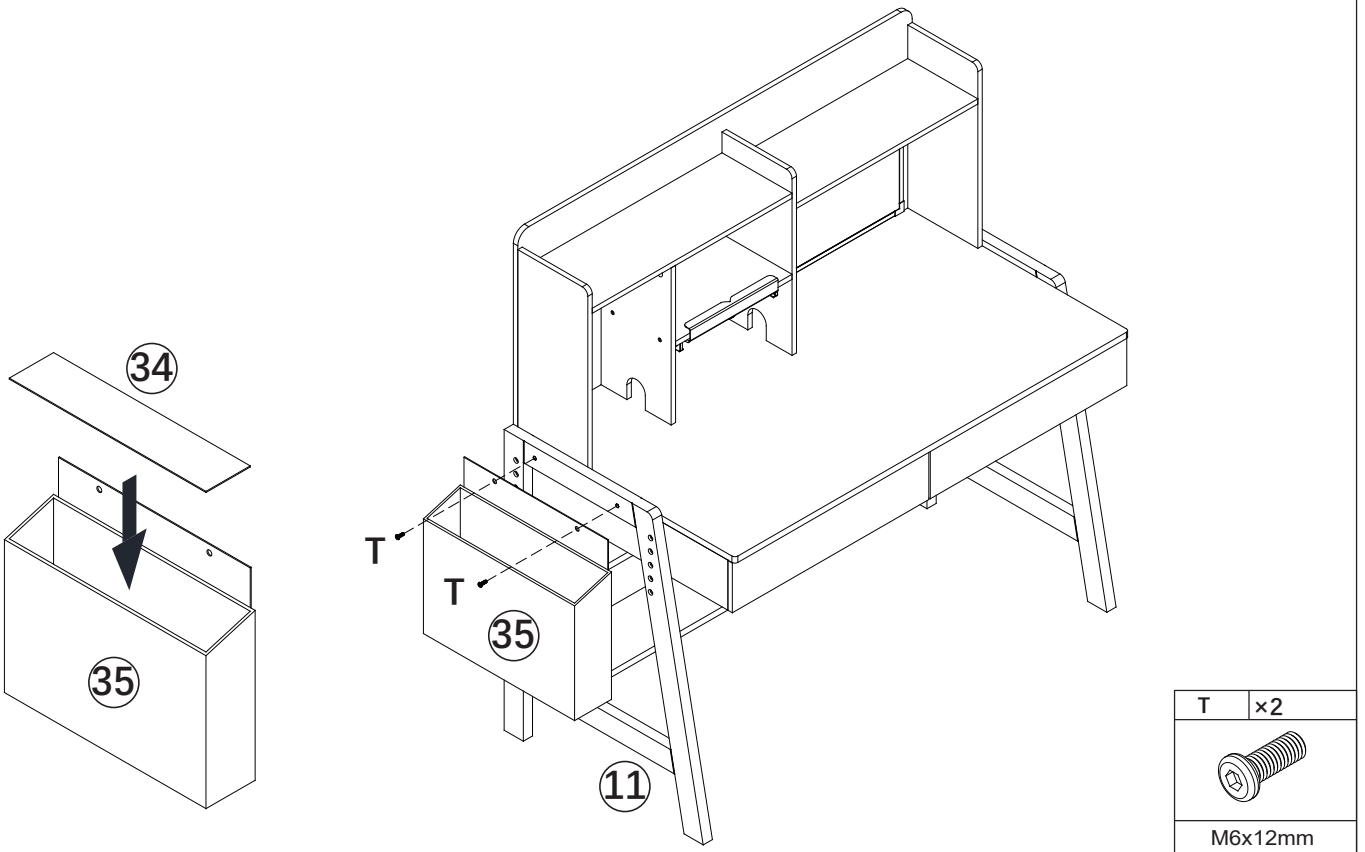
U	x2

43

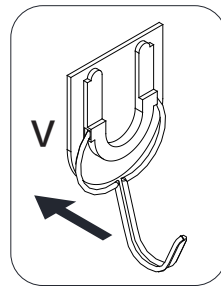
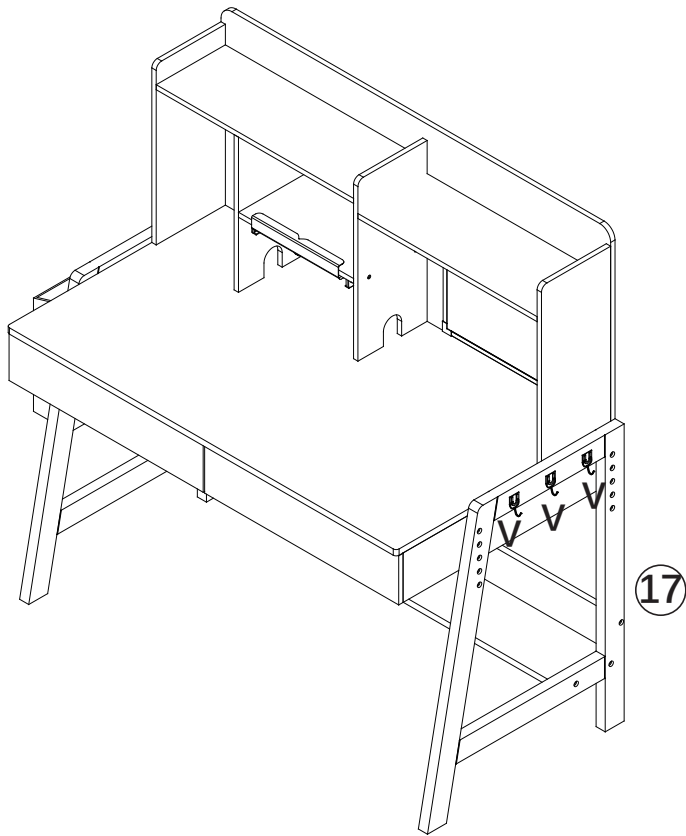


44

Insert Part #34 into the bottom of Part #35. Connect Part #35 and Part #11 with Screw Tx2.

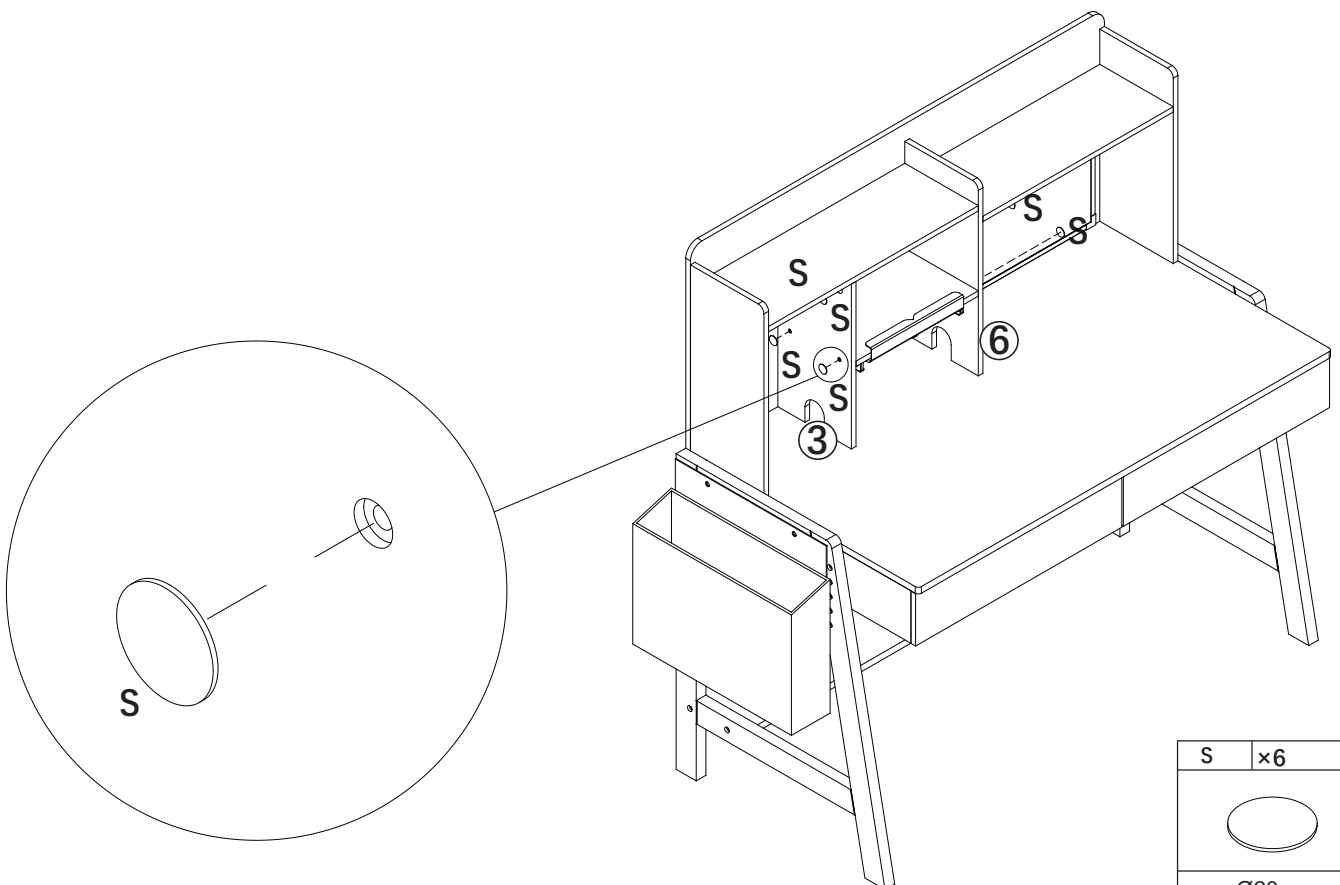


**45** The complimentary hooks can be used as needed, and they can be attached to the Part #17.



V	x3

**46** Accessory S is a complimentary white sticker used to cover the holes for decorative purposes. You can choose to use it based on your needs.



S	x6
$\text{Ø}20\text{mm}$	