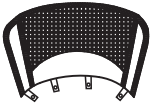


# ASSEMBLING INSTRUCTION

AX1PC



B X2PCS



C X2PCS



D X1PC



E X18PCS



M6\*30

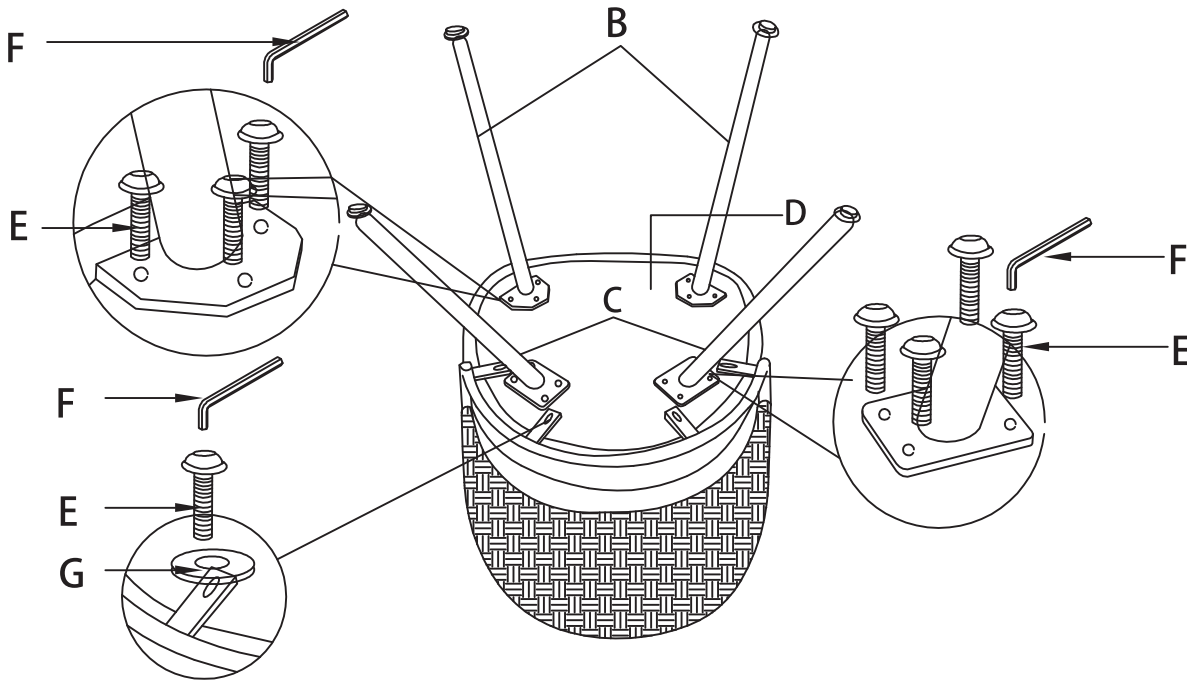
F X1PC



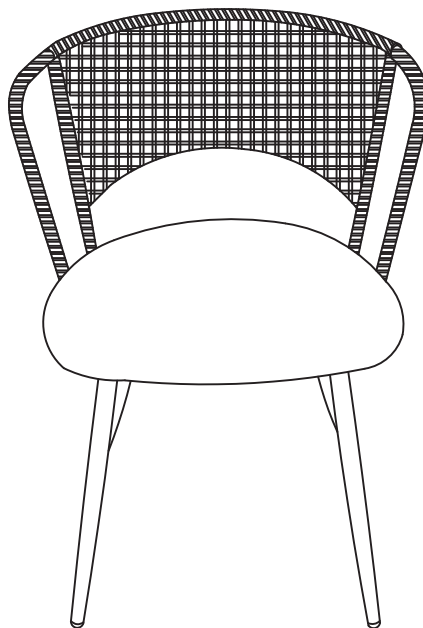
G X4PCS



1



2



Please note: Our leg tubes have adjustment feet on the bottom. If the chair appears unbalanced, adjust the diagonal leg adjustment feet.