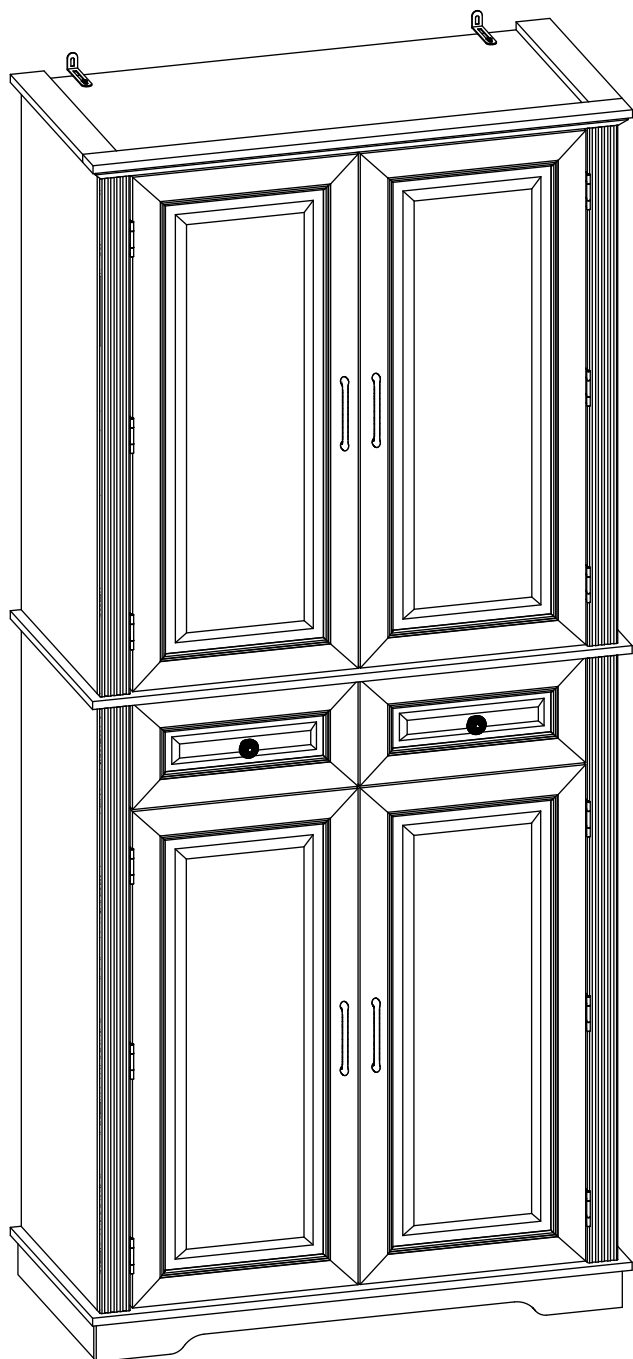


# Lockers

Assembly Instructions - Please keep for future reference



## Dimensions

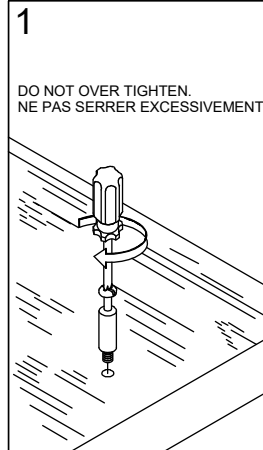
Width-31.5inch  
Depth-15.74inch  
Height-71.22inch

Important - please read these instructions fully before starting assembly

# Using Camlocks

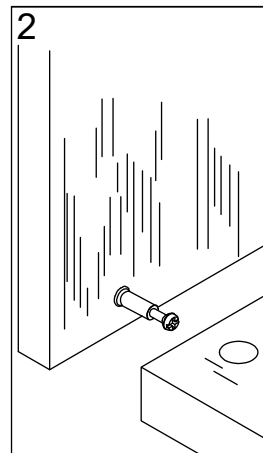
## Step 1

Connect the male camlock as directed in the assembly instructions using a screwdriver.



## Step 2

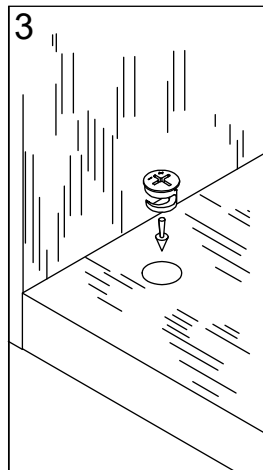
Push the male camlock into the entry hole.



## Step 3

Insert the female camlock as shown in the instruction.

Note : ensure that the arrow on the top of the camlock points towards the entry hole for the male camlock.

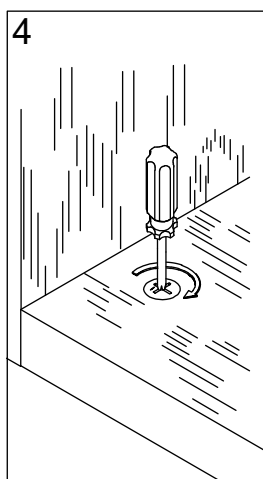


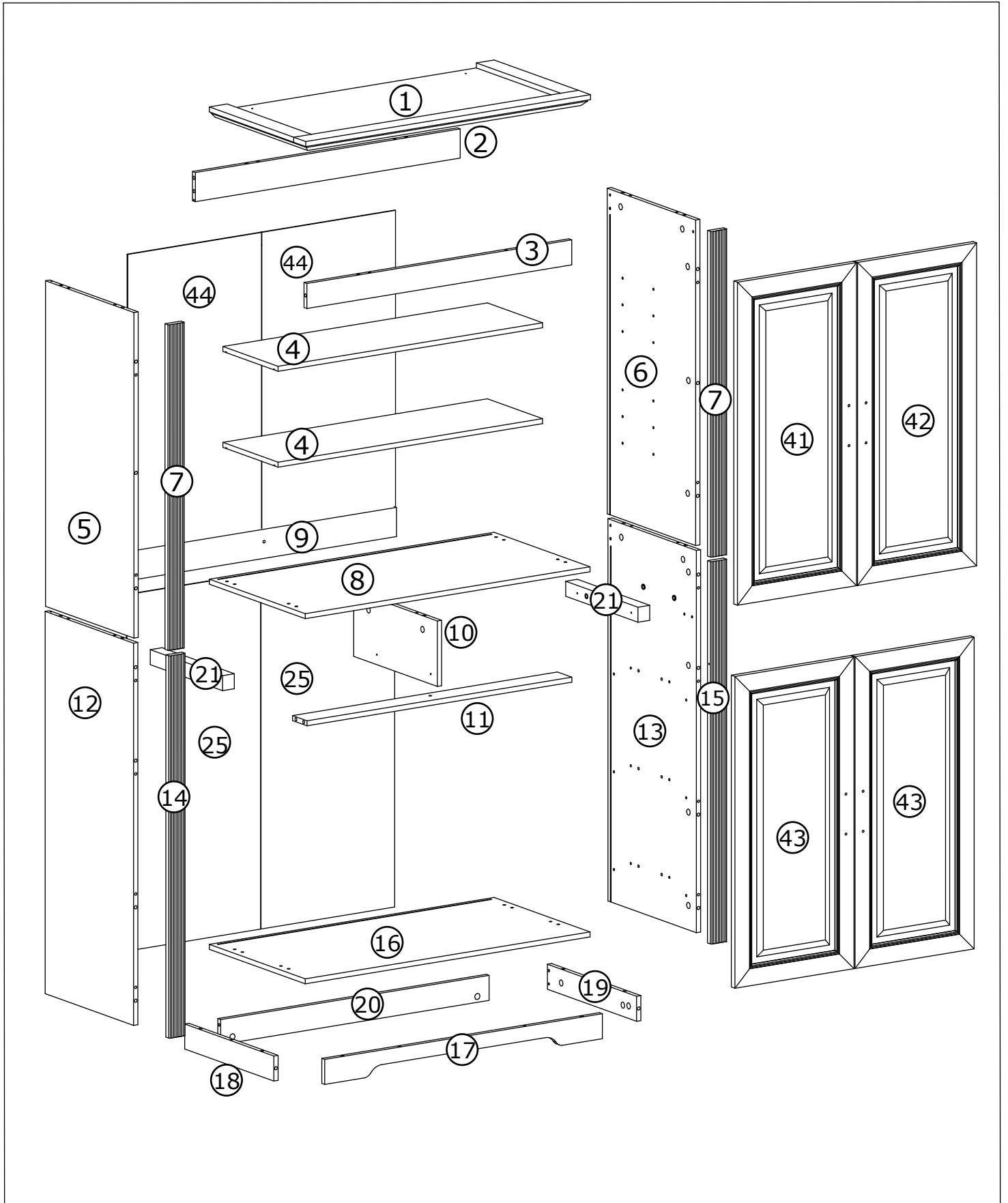
## Step 4

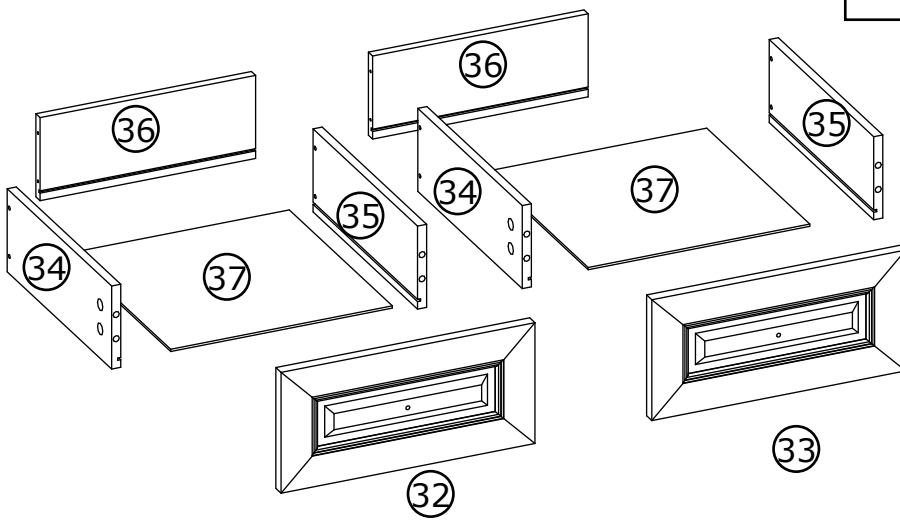
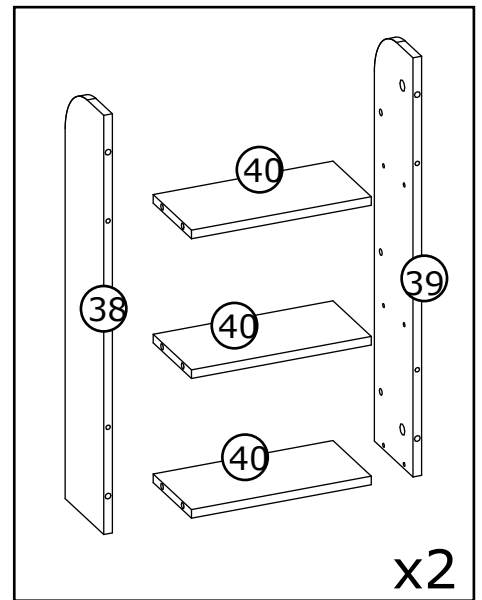
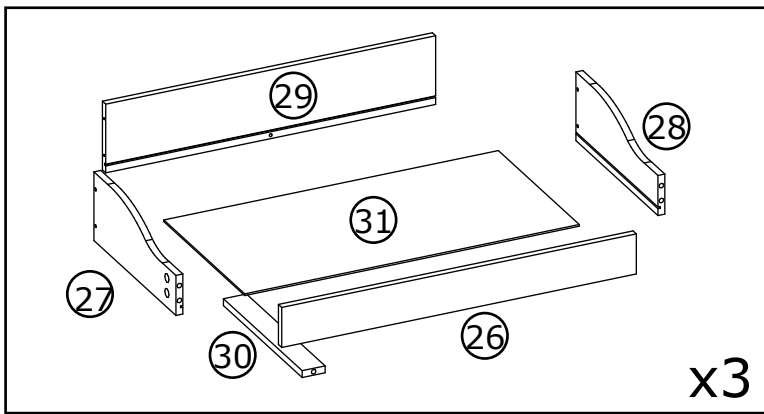
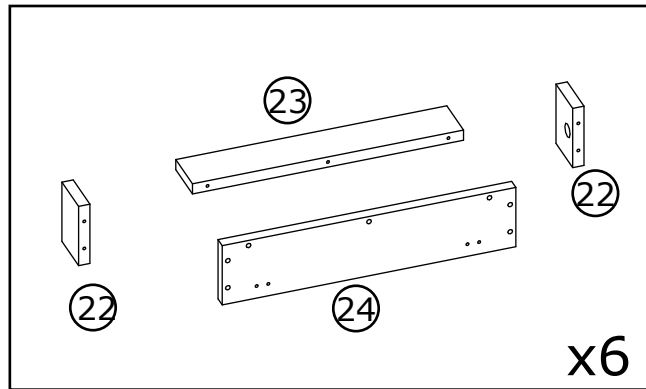
Turn the female camlock clockwise with a screwdriver.

You should feel a click when the camlock is locked in place.

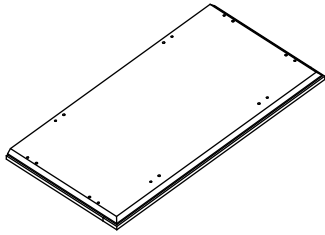
The joint is now secure.





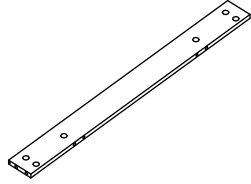


①x1



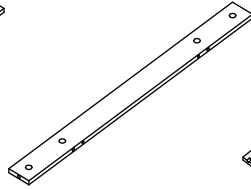
800\*400\*27mm

②x1



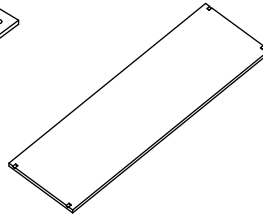
744\*70\*12mm

③x1



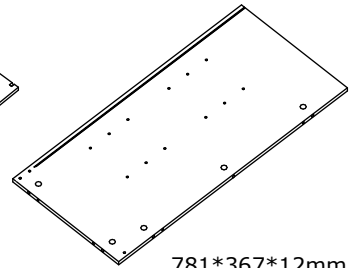
744\*60\*12mm

④x2



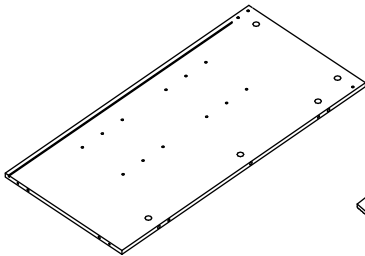
743\*229\*12mm

⑤x1



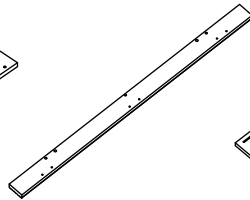
781\*367\*12mm

⑥x1



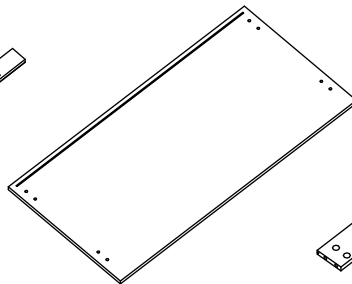
781\*367\*12mm

⑦x2



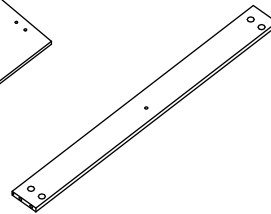
781\*46\*15mm

⑧x1



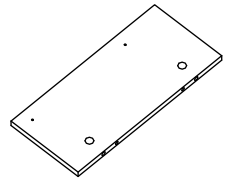
800\*398\*12mm

⑨x1



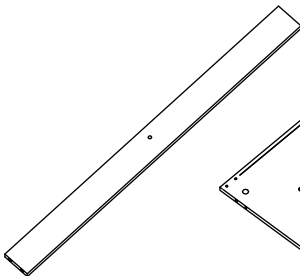
744\*70\*12mm

⑩x1



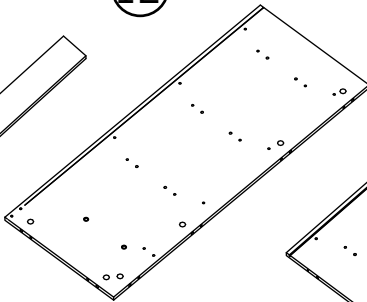
345\*157\*12mm

⑪x1



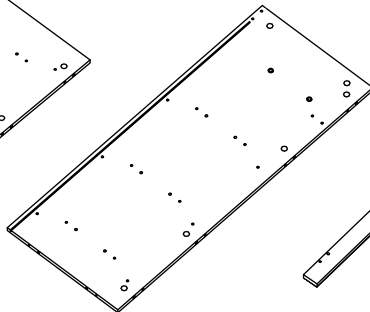
744\*60\*12mm

⑫x1



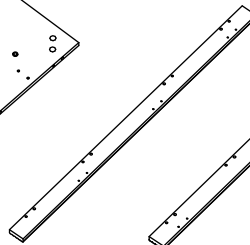
917\*367\*12mm

⑬x1



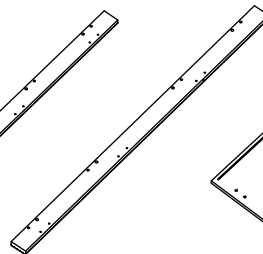
917\*367\*12mm

⑭x1



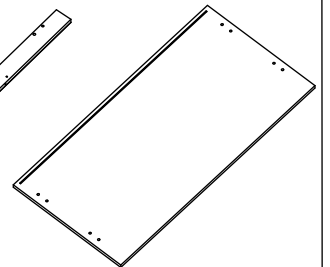
917\*46\*15mm

⑮x1



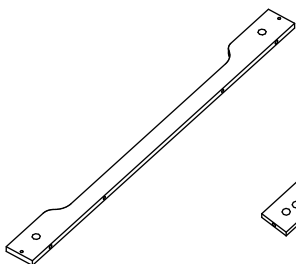
917\*46\*15mm

⑯x1



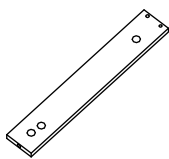
800\*398\*12mm

⑰x1



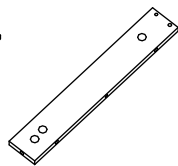
780\*60\*12mm

⑱x1



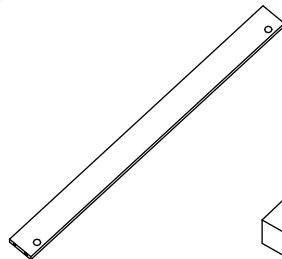
370\*60\*12mm

⑲x1



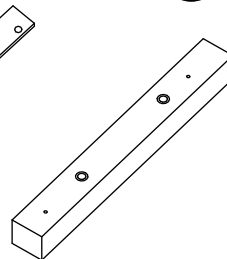
370\*60\*12mm

⑳x1



754\*60\*12mm

㉑x2



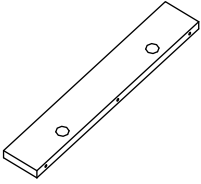
300\*36\*33mm

㉒x12



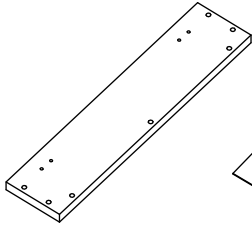
70\*48\*12mm

23x6



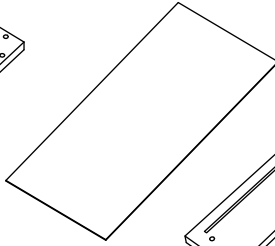
288\*48\*12mm

24x6



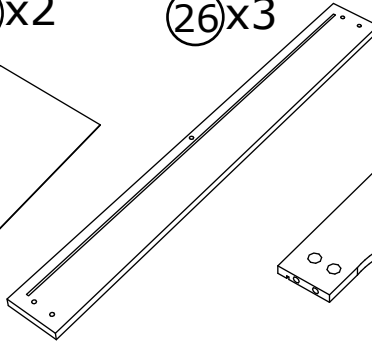
312\*70\*12mm

25x2



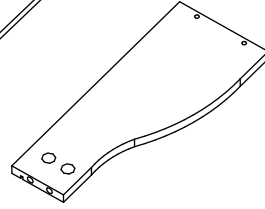
855\*375.5\*3mm

26x3



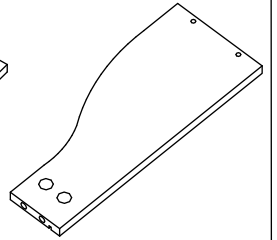
618\*70\*12mm

27x3



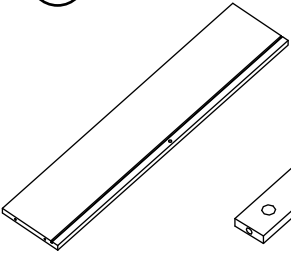
300\*120\*12mm

28x3



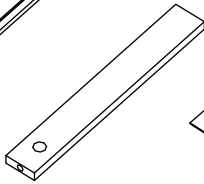
300\*120\*12mm

29x3



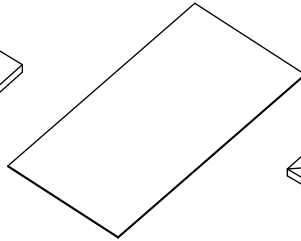
575\*120\*12mm

30x3



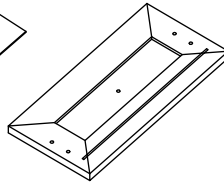
288\*40\*12mm

31x3



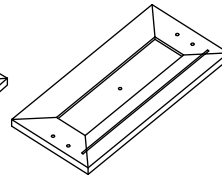
583\*296\*3mm

32x1



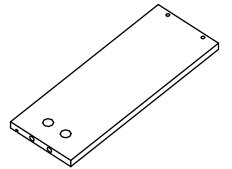
334.5\*160\*15mm

33x1



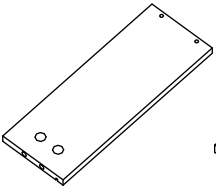
334.5\*160\*15mm

34x2



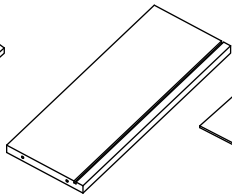
300\*110\*12mm

35x2



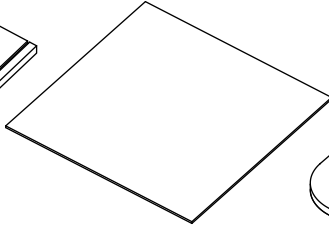
300\*110\*12mm

36x2



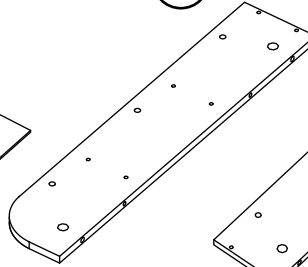
284\*110\*12mm

37x2



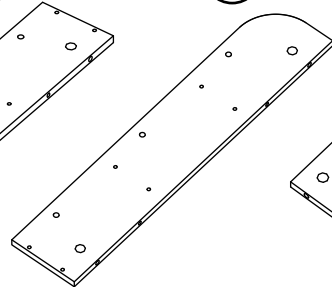
296\*292\*3mm

38x2



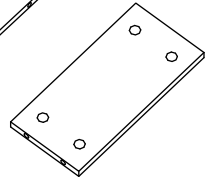
585\*120\*12mm

39x2



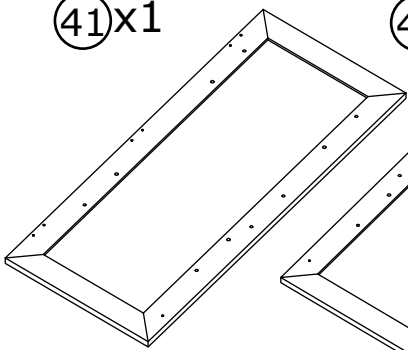
585\*120\*12mm

40x6



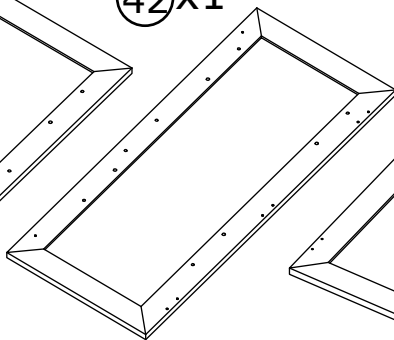
250\*119\*12mm

41x1



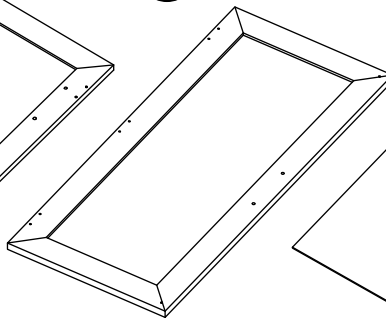
775\*334.5\*15mm

42x1



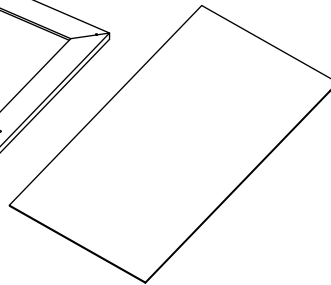
775\*334.5\*15mm

43x2


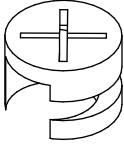
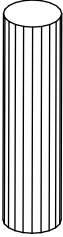
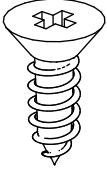
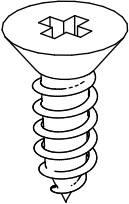
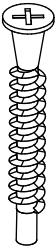
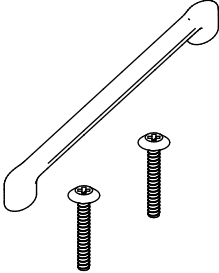
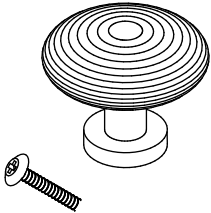
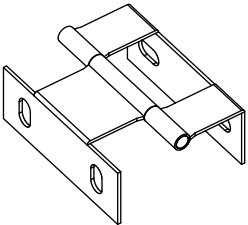
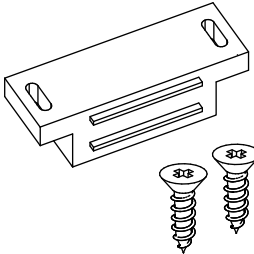
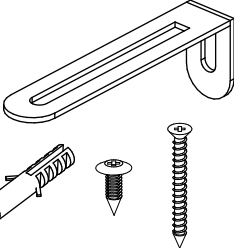
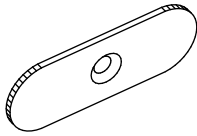
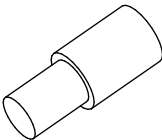
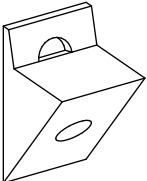
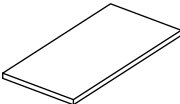
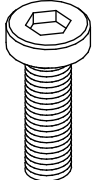


748\*334.5\*15mm

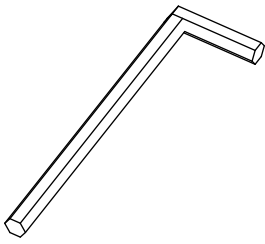
44x2



719\*375.5\*3mm

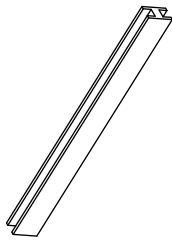
<p style="text-align: center;"><b>A</b></p>  <p style="text-align: center;"><b>131PCS</b></p>	<p style="text-align: center;"><b>B</b></p>  <p style="text-align: center;"><b>131PCS</b></p>	<p style="text-align: center;"><b>C</b></p>  <p style="text-align: center;">M6x30mm <b>60PCS</b></p>	<p style="text-align: center;"><b>D</b></p>  <p style="text-align: center;">M3x12mm <b>44PCS</b></p>
<p style="text-align: center;"><b>E</b></p>  <p style="text-align: center;">M3.5x16mm <b>72PCS</b></p>	<p style="text-align: center;"><b>F</b></p>  <p style="text-align: center;">M5x40mm <b>10PCS</b></p>	<p style="text-align: center;"><b>G</b></p>  <p style="text-align: center;"><b>4PCS</b></p>	<p style="text-align: center;"><b>H</b></p>  <p style="text-align: center;"><b>2PCS</b></p>
<p style="text-align: center;"><b>I</b></p>  <p style="text-align: center;"><b>12PCS</b></p>	<p style="text-align: center;"><b>J</b></p>  <p style="text-align: center;"><b>2PCS</b></p>	<p style="text-align: center;"><b>K</b></p>  <p style="text-align: center;"><b>2PCS</b></p>	<p style="text-align: center;"><b>L</b></p>  <p style="text-align: center;"><b>4PCS</b></p>
<p style="text-align: center;"><b>N</b></p>  <p style="text-align: center;"><b>8PCS</b></p>	<p style="text-align: center;"><b>M</b></p>  <p style="text-align: center;"><b>24PCS</b></p>	<p style="text-align: center;"><b>O</b></p>  <p style="text-align: center;"><b>8PCS</b></p>	<p style="text-align: center;"><b>P</b></p>  <p style="text-align: center;">M6x35mm <b>4PCS</b></p>

Q



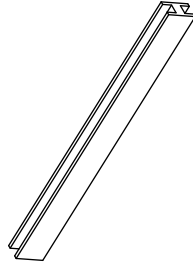
1PCS

R



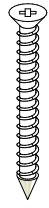
1PCS

S



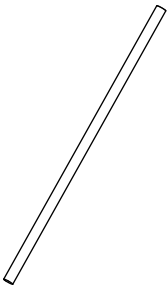
1PCS

T



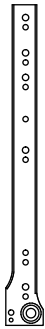
M4x35mm  
65PCS

U



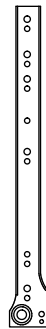
6PCS

CL



5PCS

CR



5PCS

DL



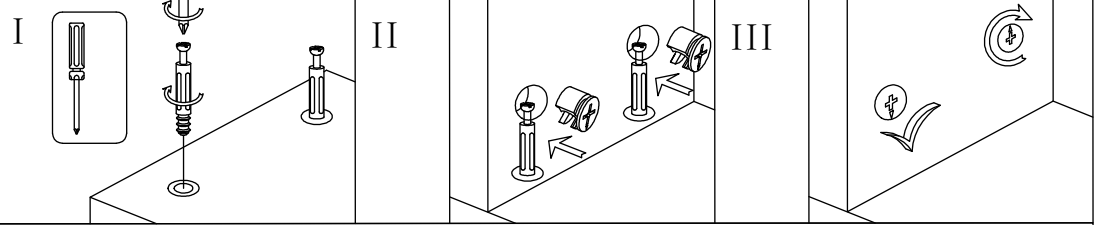
5PCS

DR

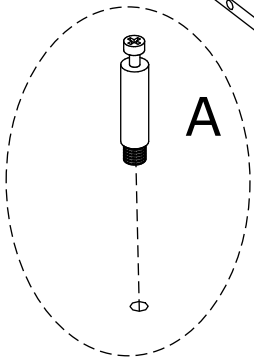
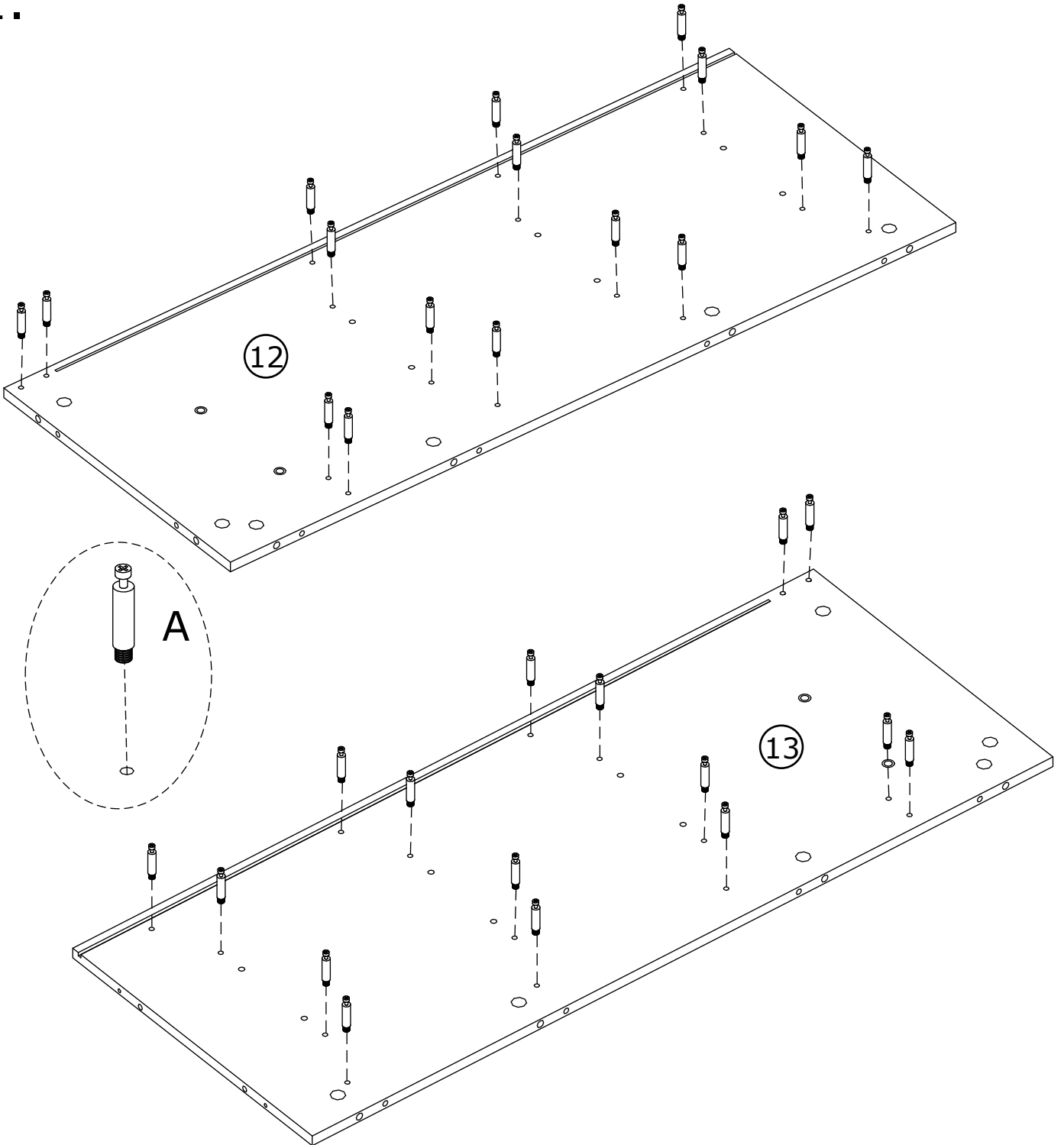


5PCS

"B" Hardware  
installation example

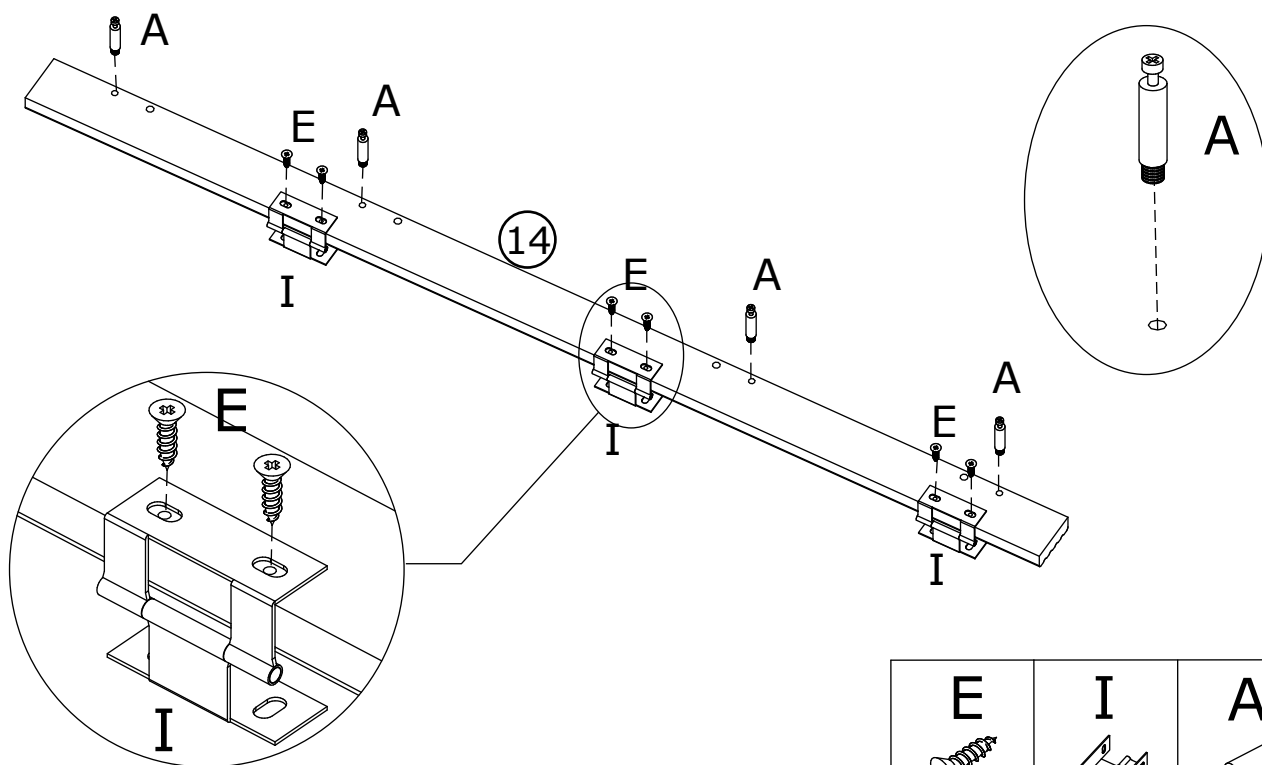


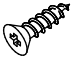
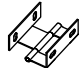
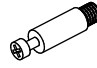
1.



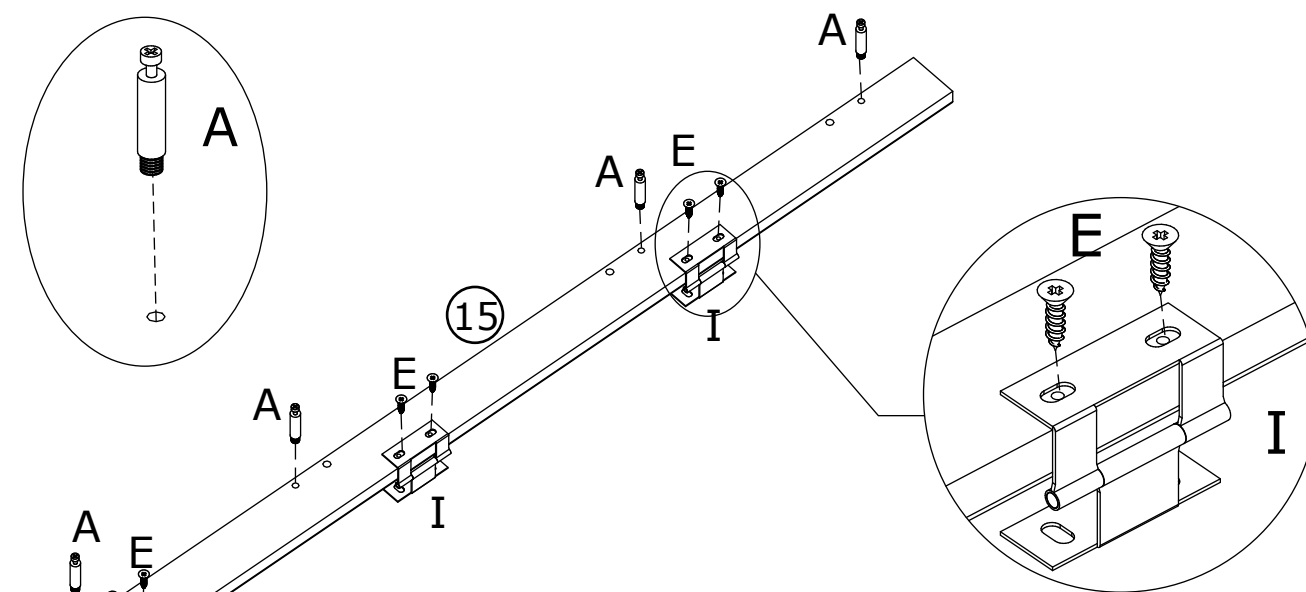
**A**  
32pcs


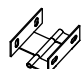
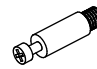
2.



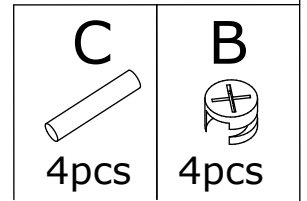
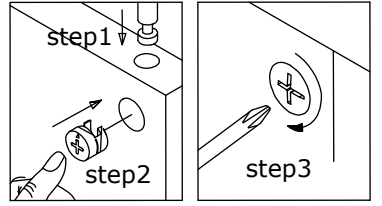
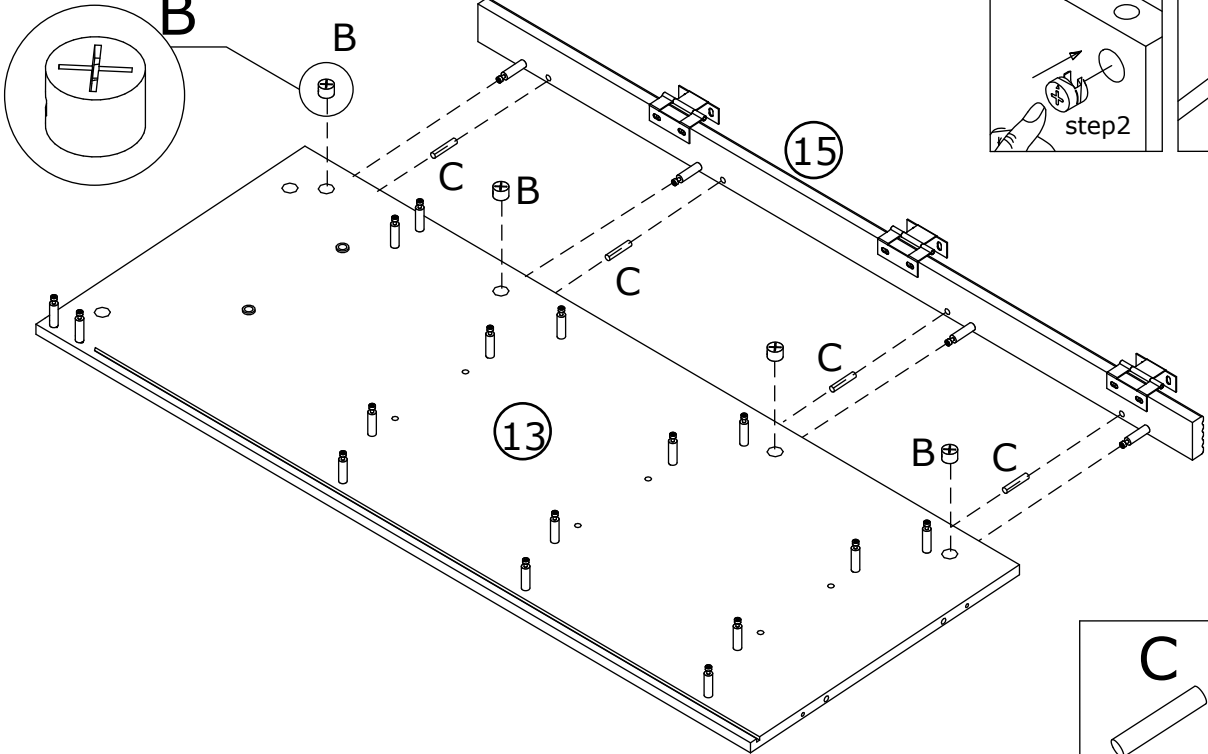
<b>E</b>  6pcs	<b>I</b>  3pcs	<b>A</b>  4pcs
---	---	---

3.

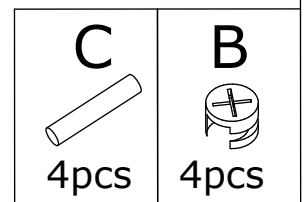
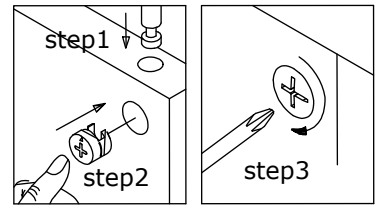
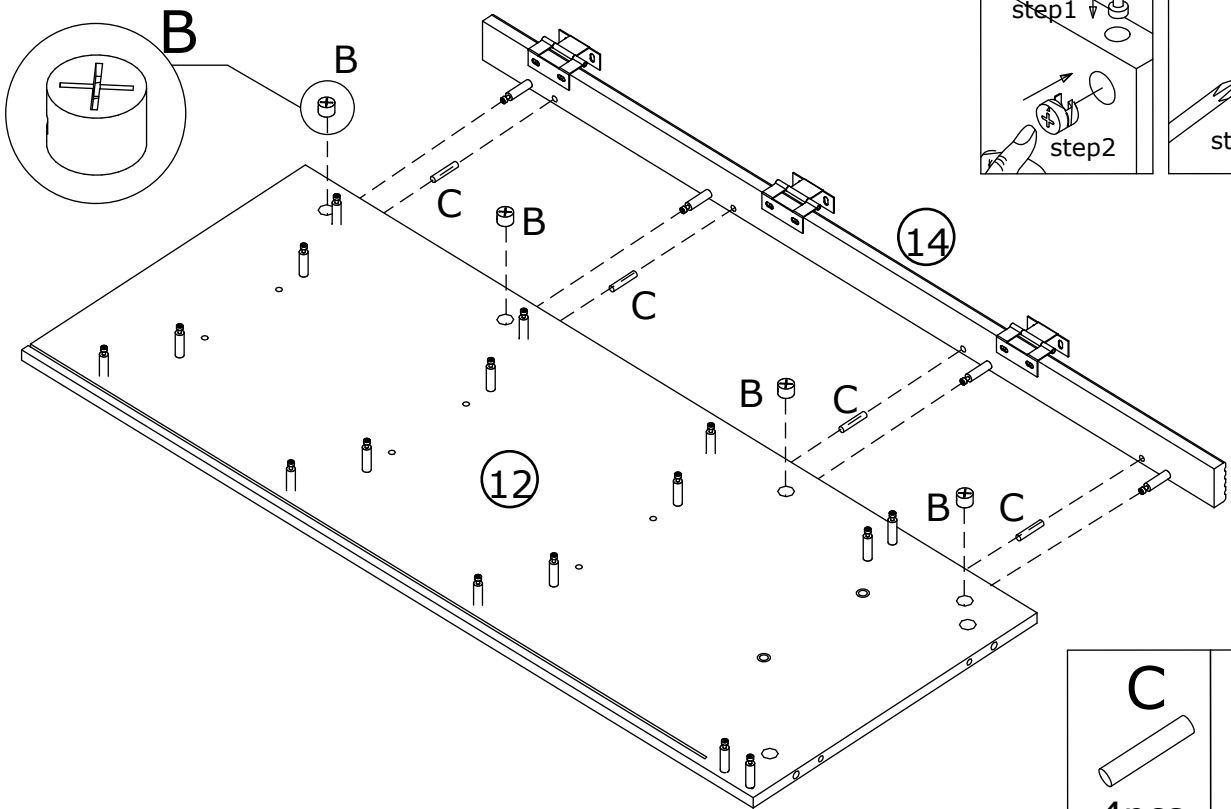


<b>E</b>  6pcs	<b>I</b>  3pcs	<b>A</b>  4pcs
---	---	---

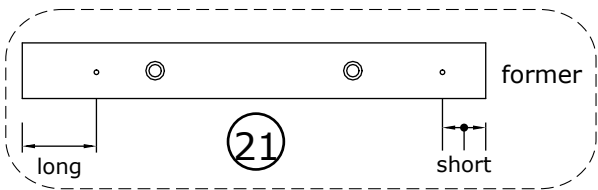
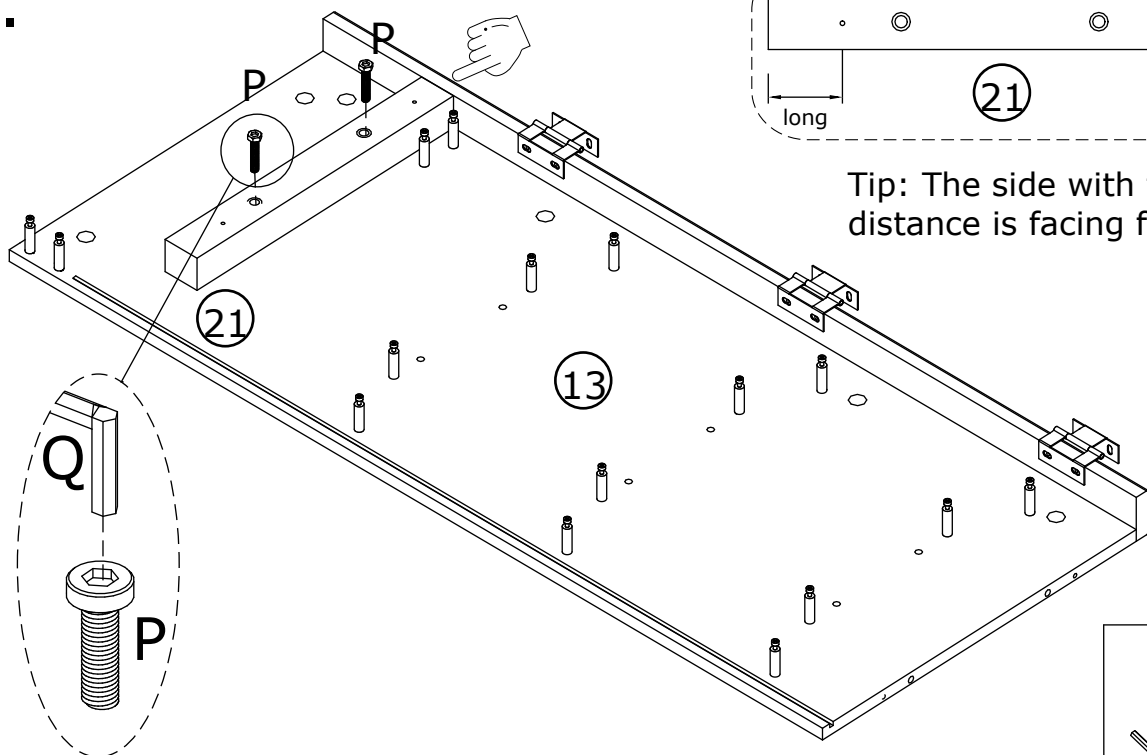
4.



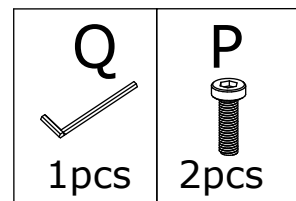
5.



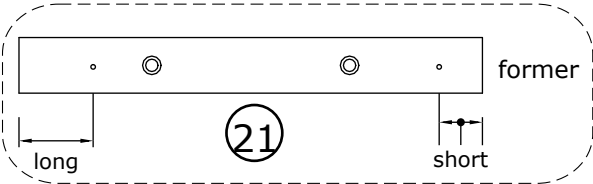
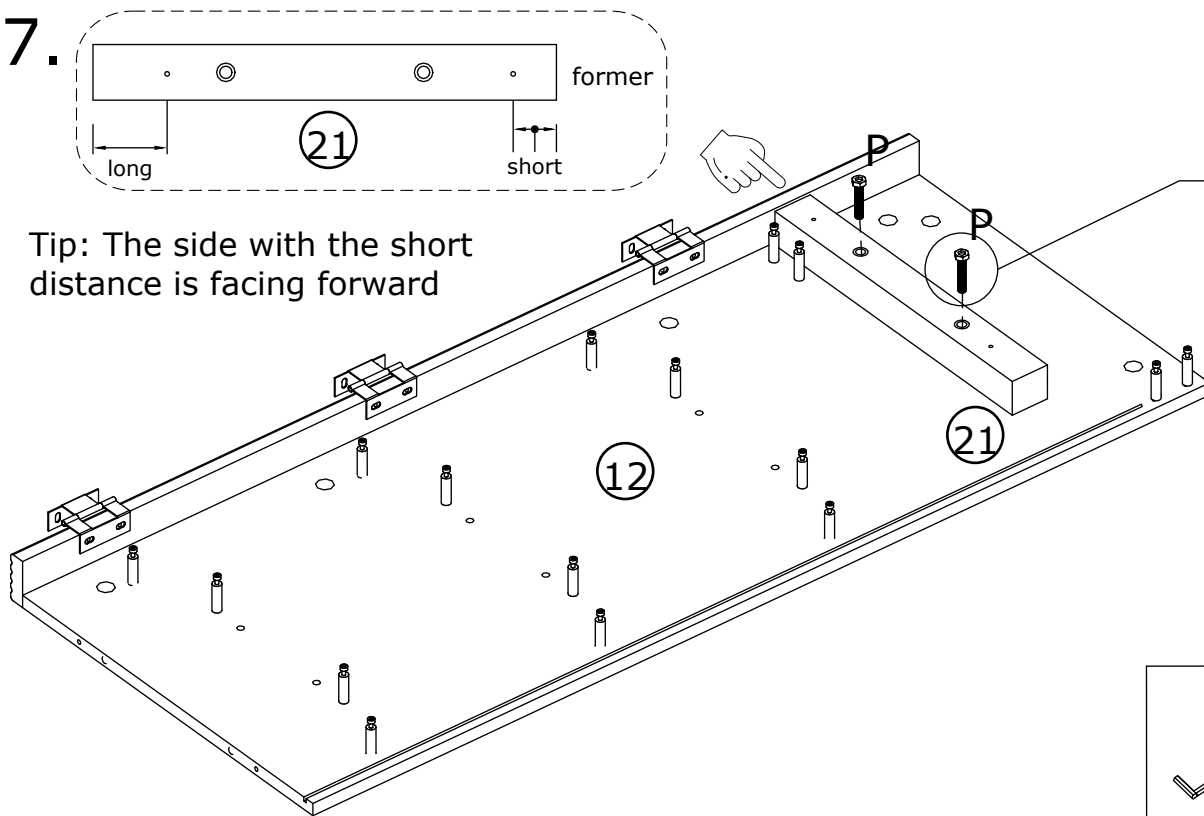
6.



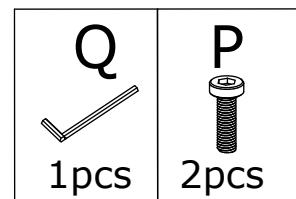
Tip: The side with the short distance is facing forward



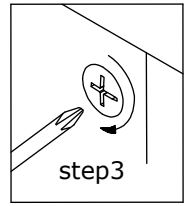
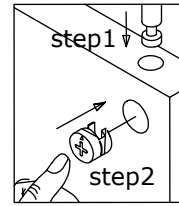
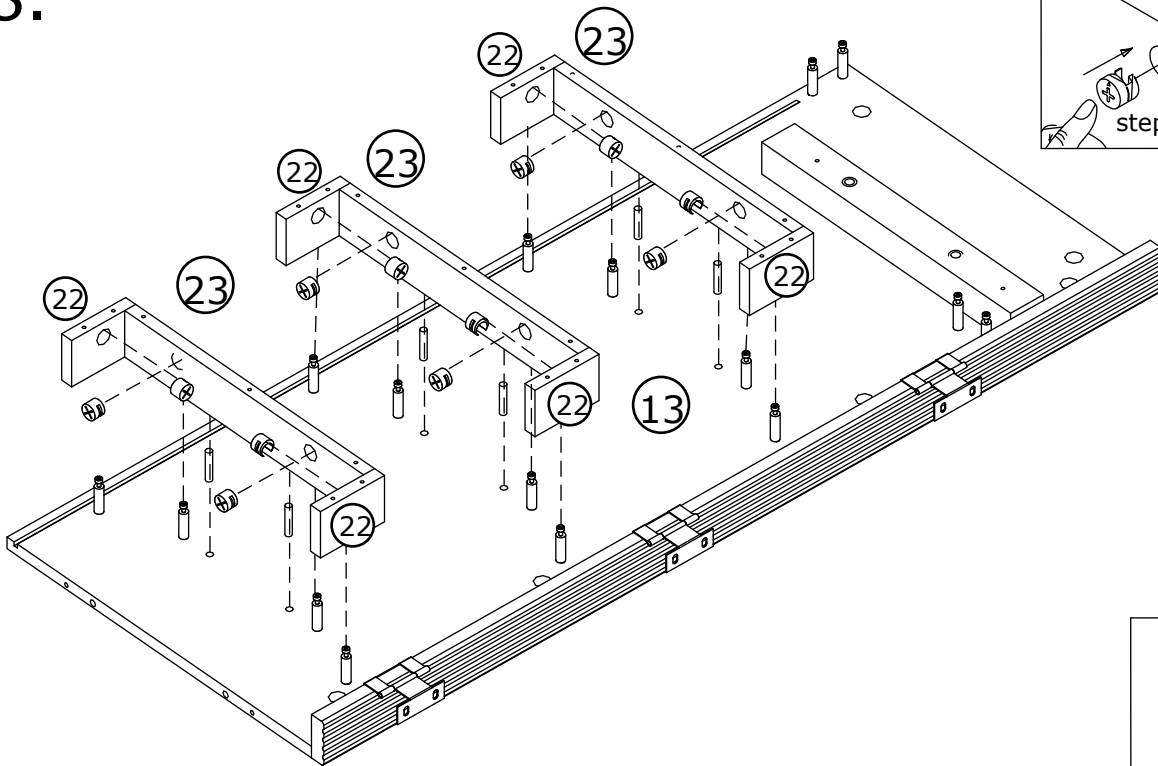
7.

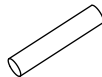



Tip: The side with the short distance is facing forward

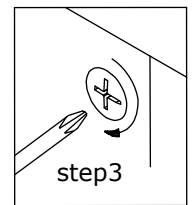
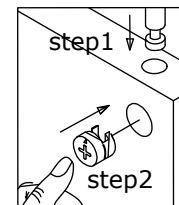
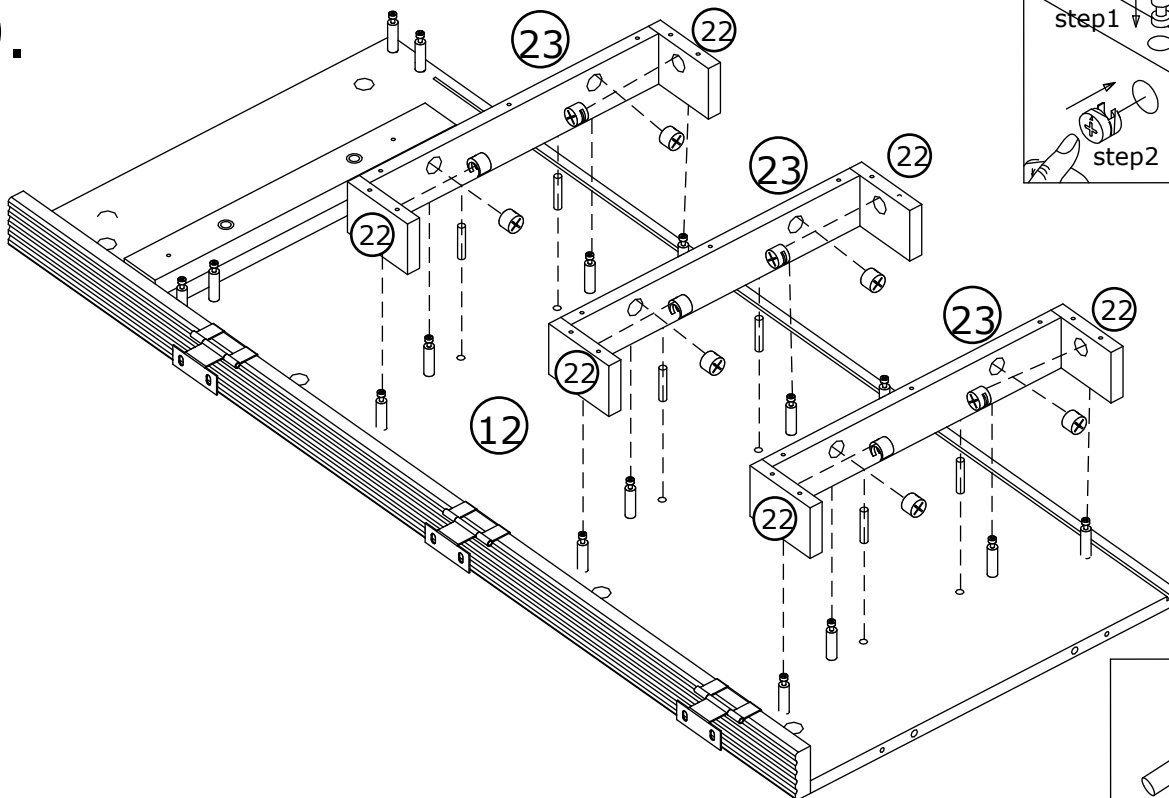




8.



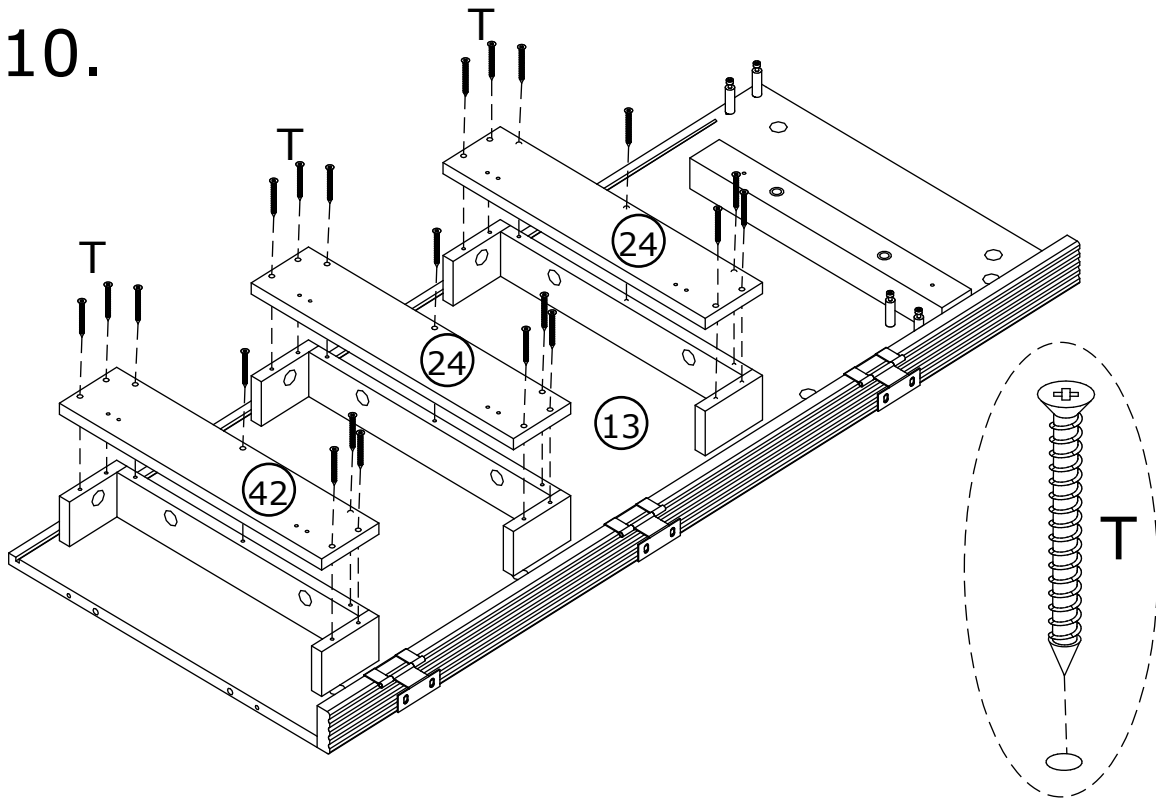
<b>C</b>  6pcs	<b>B</b>  12pcs
---	--


9.



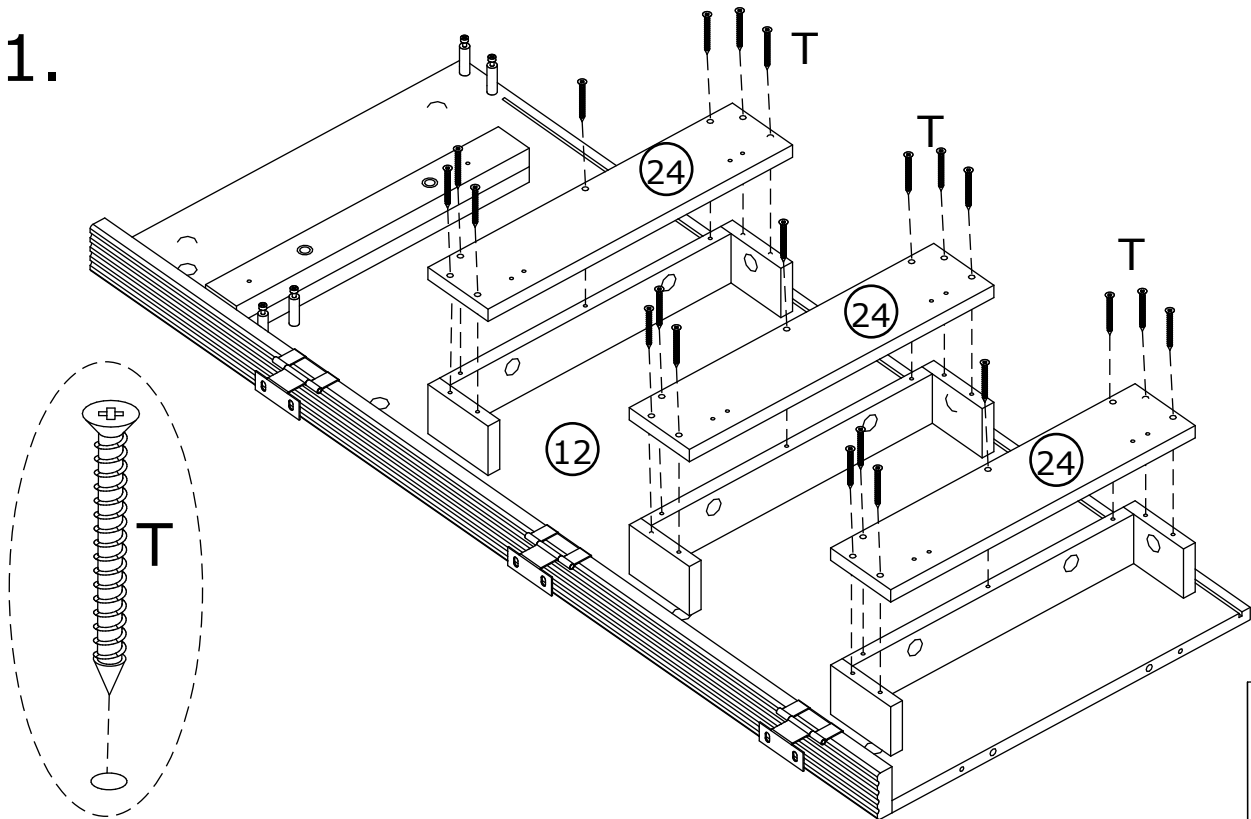
<b>C</b>  6pcs	<b>B</b>  12pcs
---	--


10.



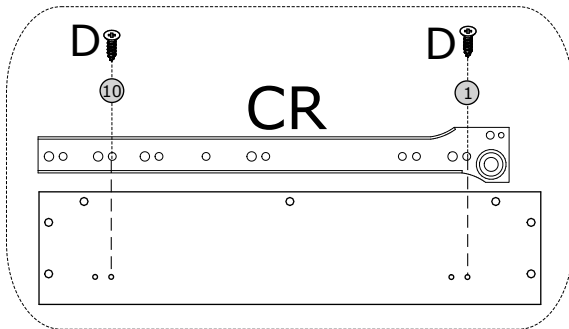
T  
  
21pcs

11.

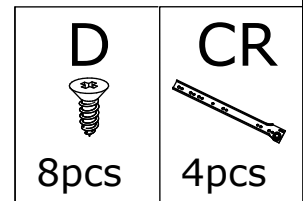
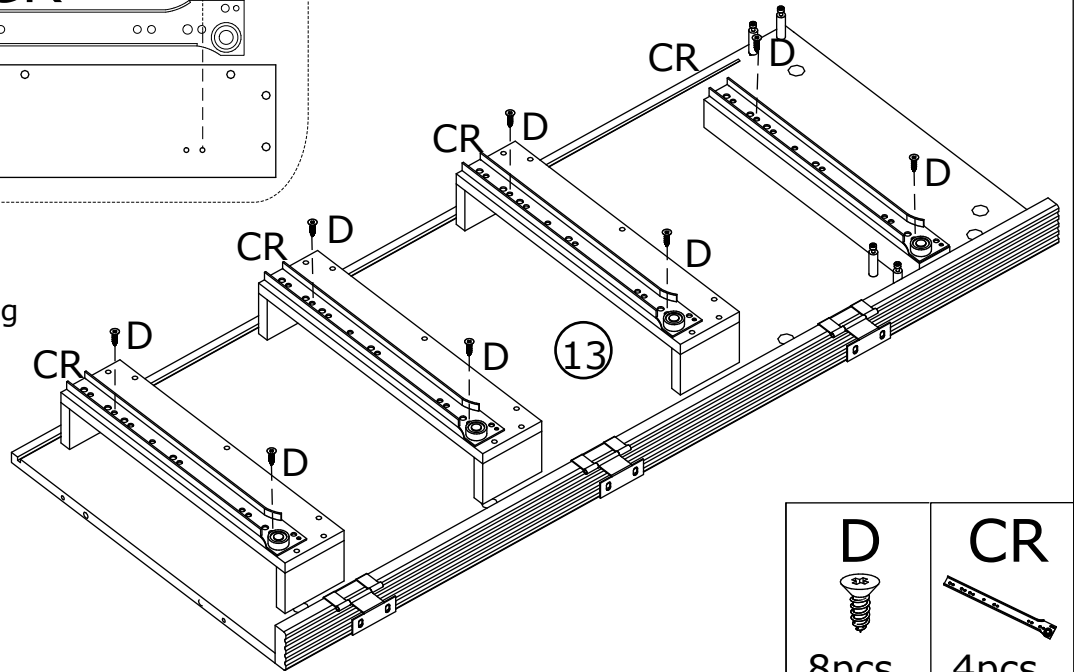


T  
  
21pcs

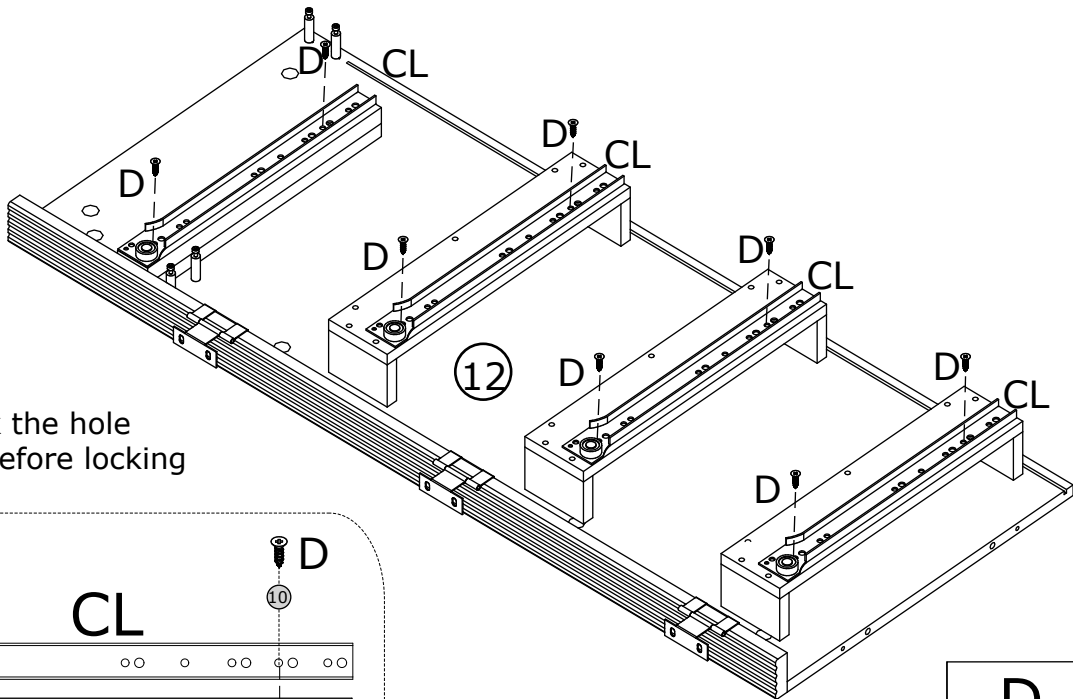
12.



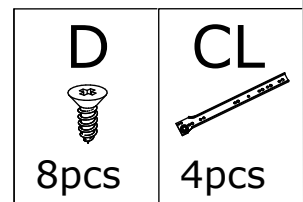
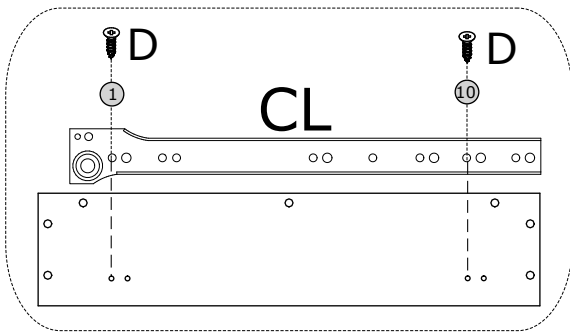
Tip: Check the hole position before locking



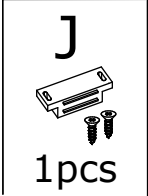
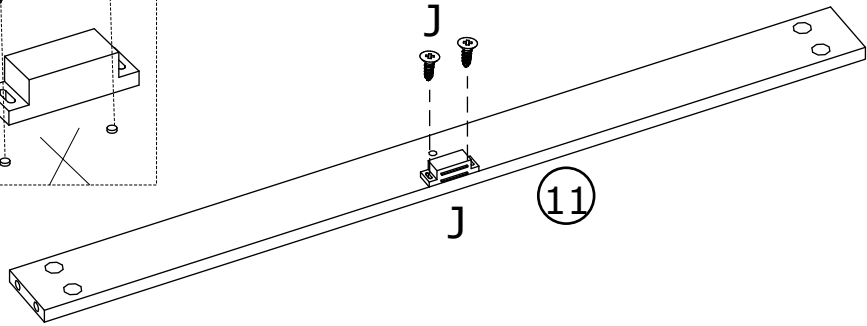
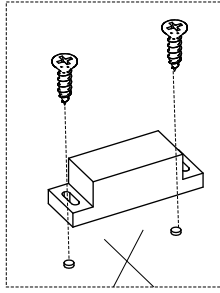
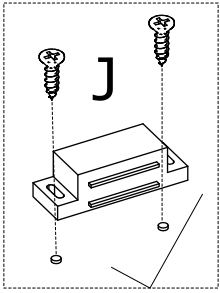
13.



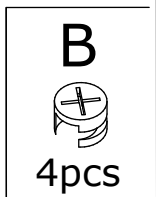
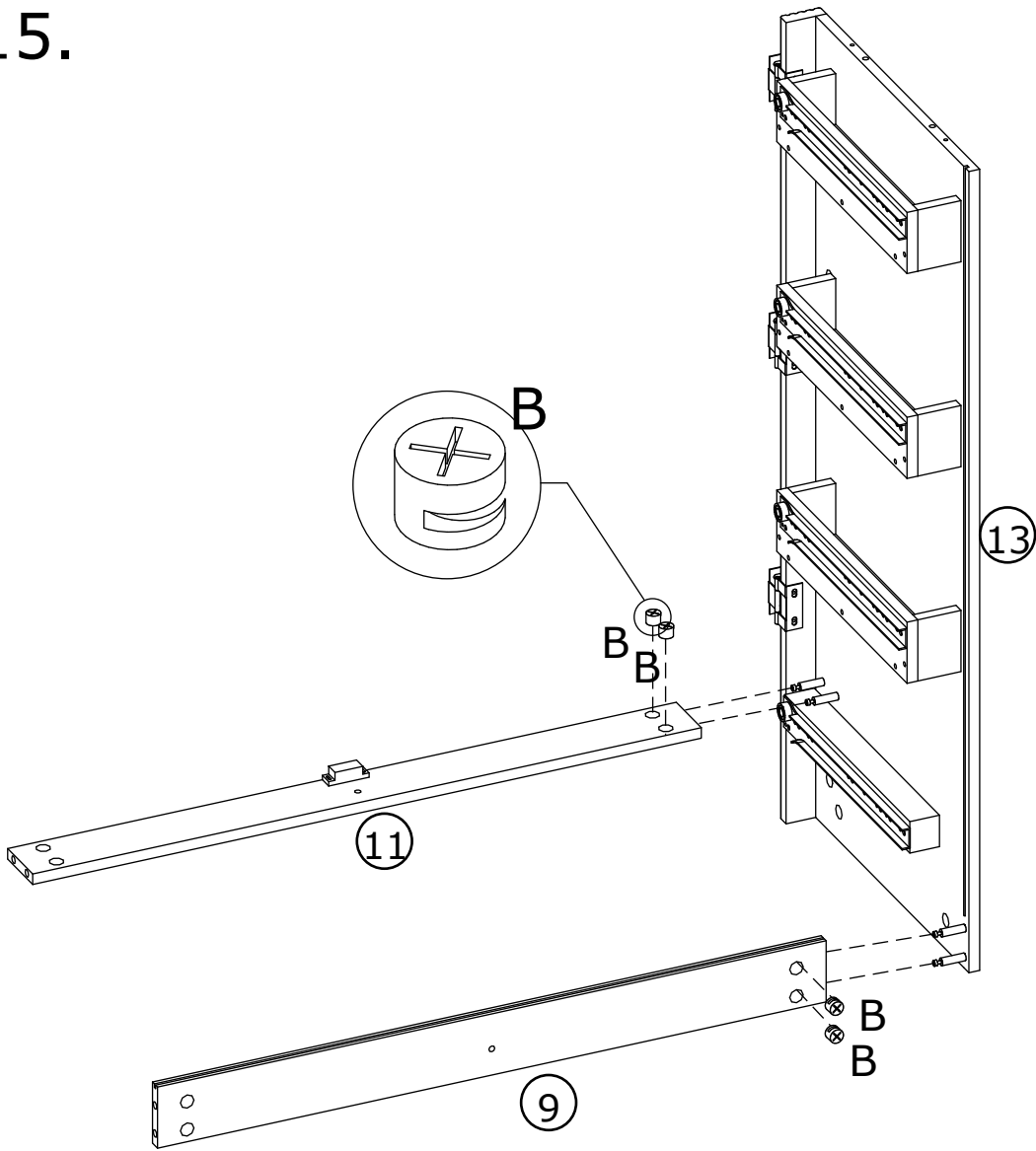
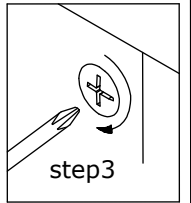
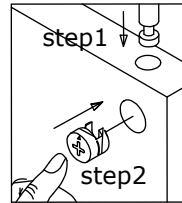
Tip: Check the hole position before locking



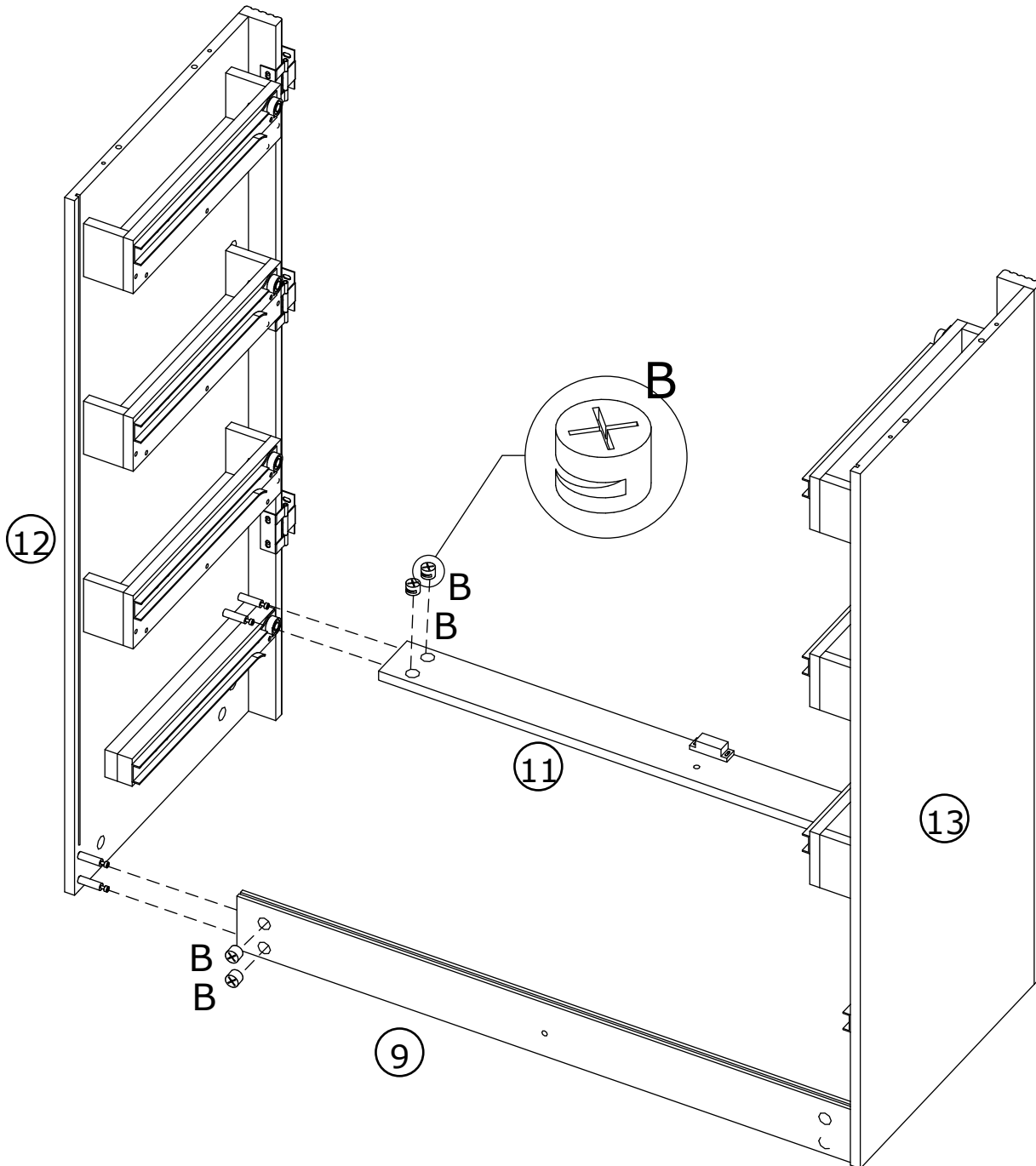
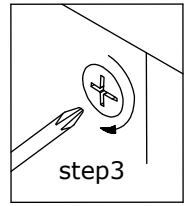
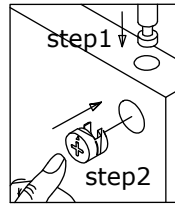
14.



15.

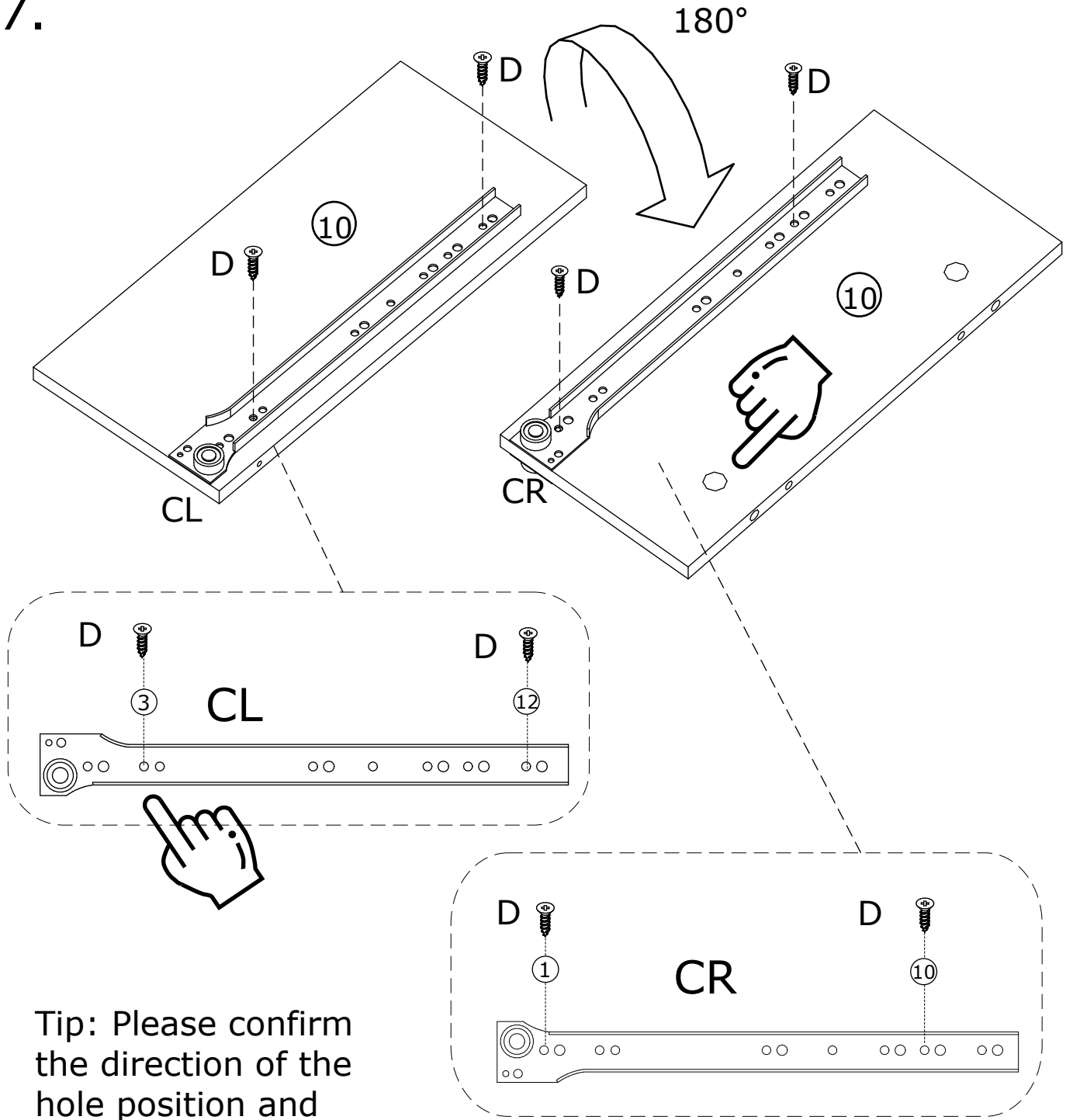


16.



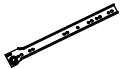


**B**  
  
4pcs

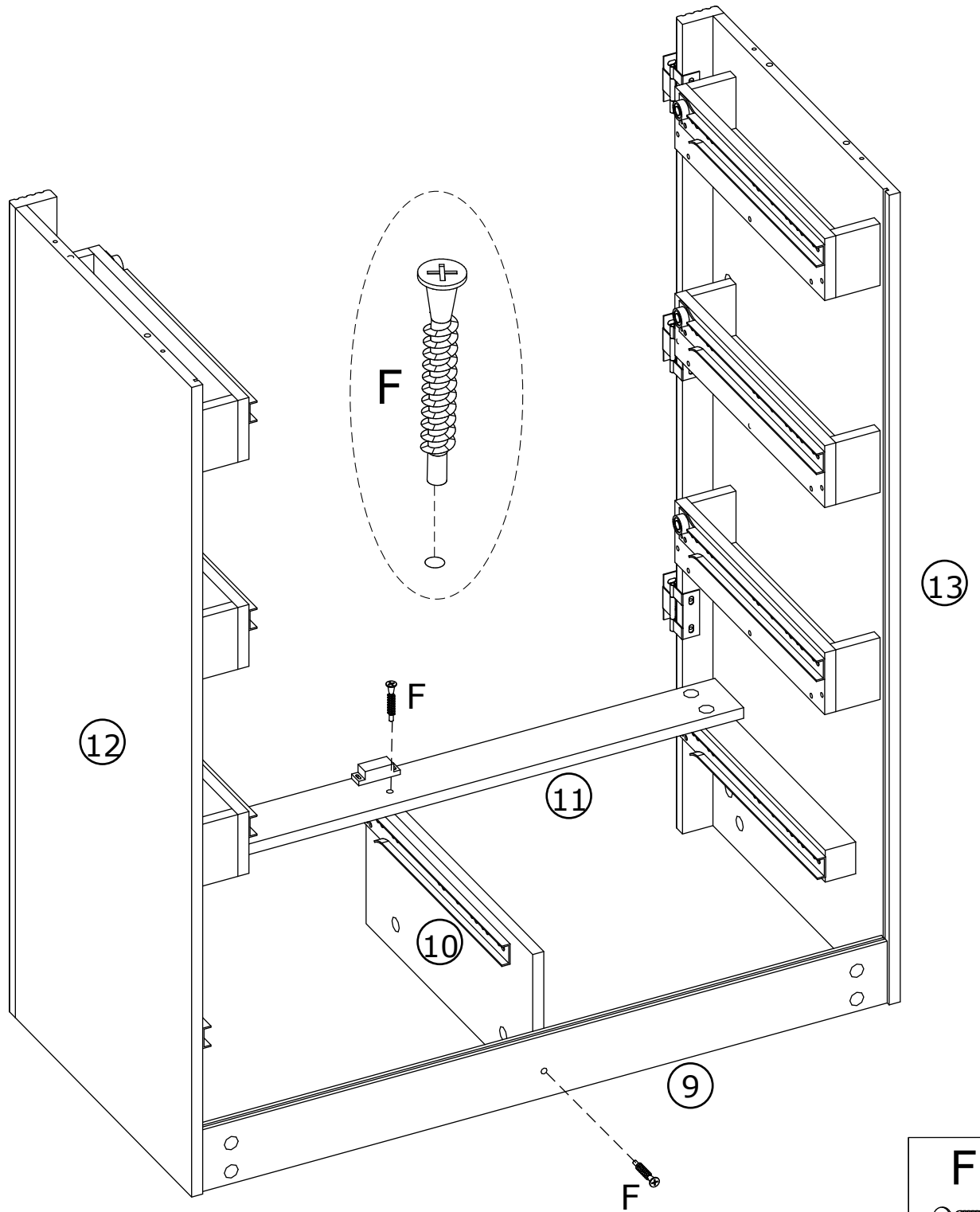
17.

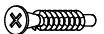


Tip: Please confirm the direction of the hole position and lock it

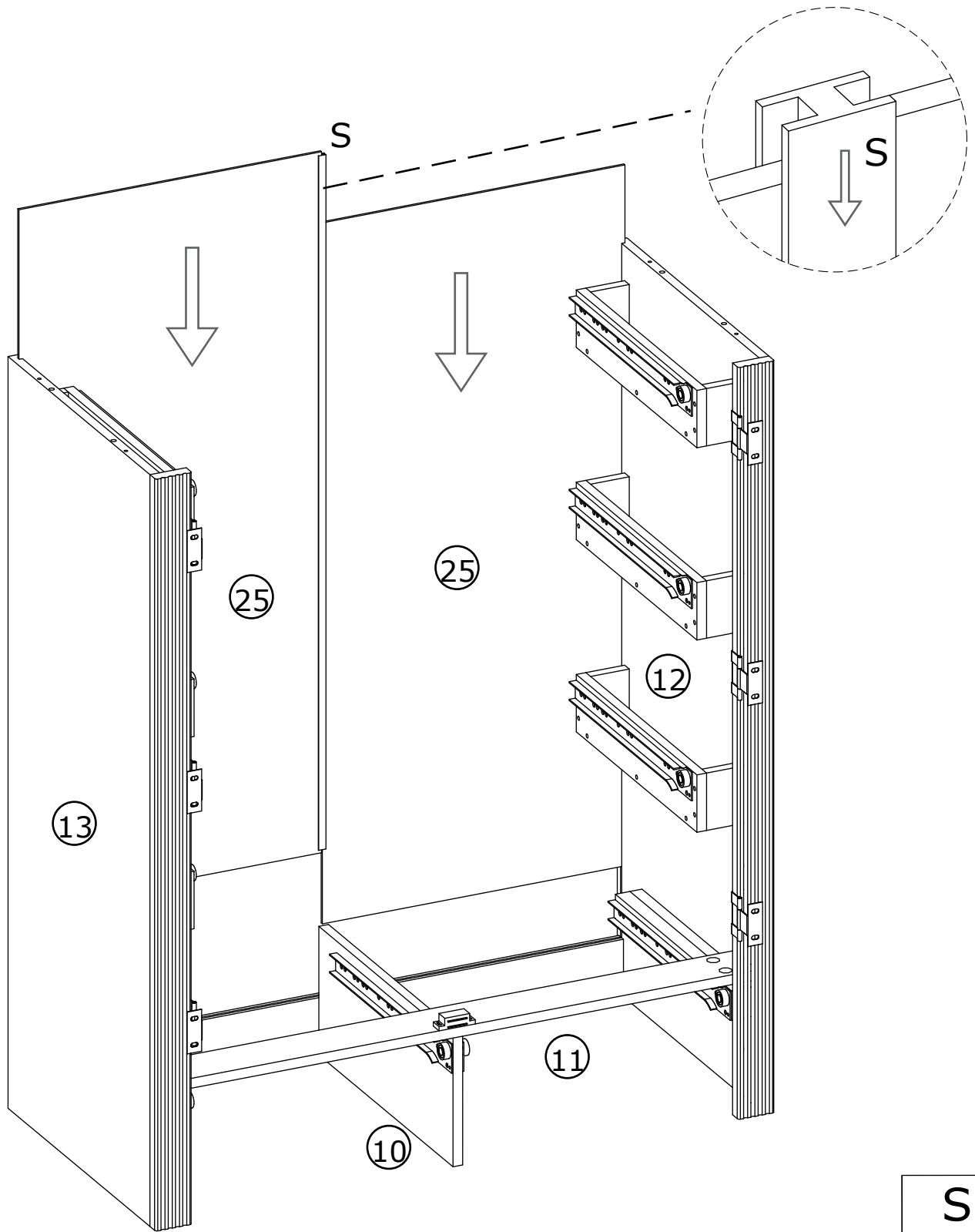
D	CR	CL
		
4pcs	1pcs	1pcs

18.



**F**  
⊗   
2pcs

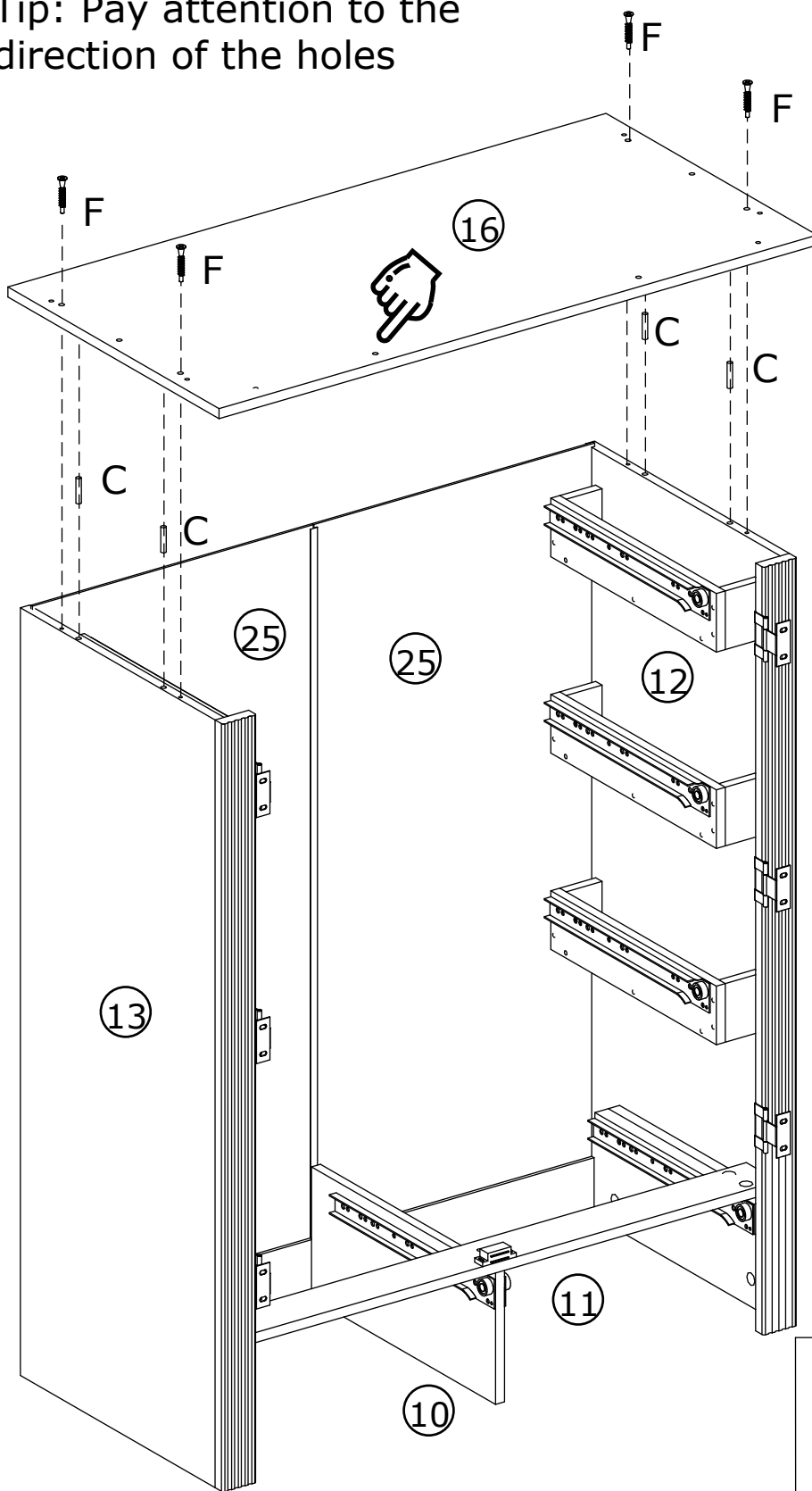
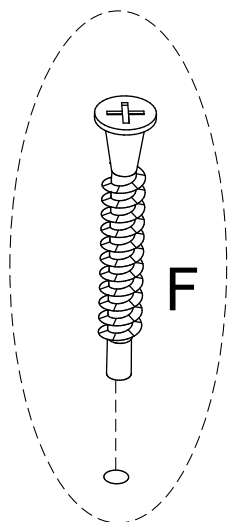
19.

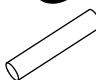



S  
1 pcs

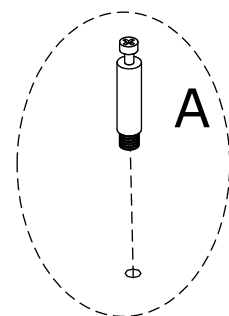
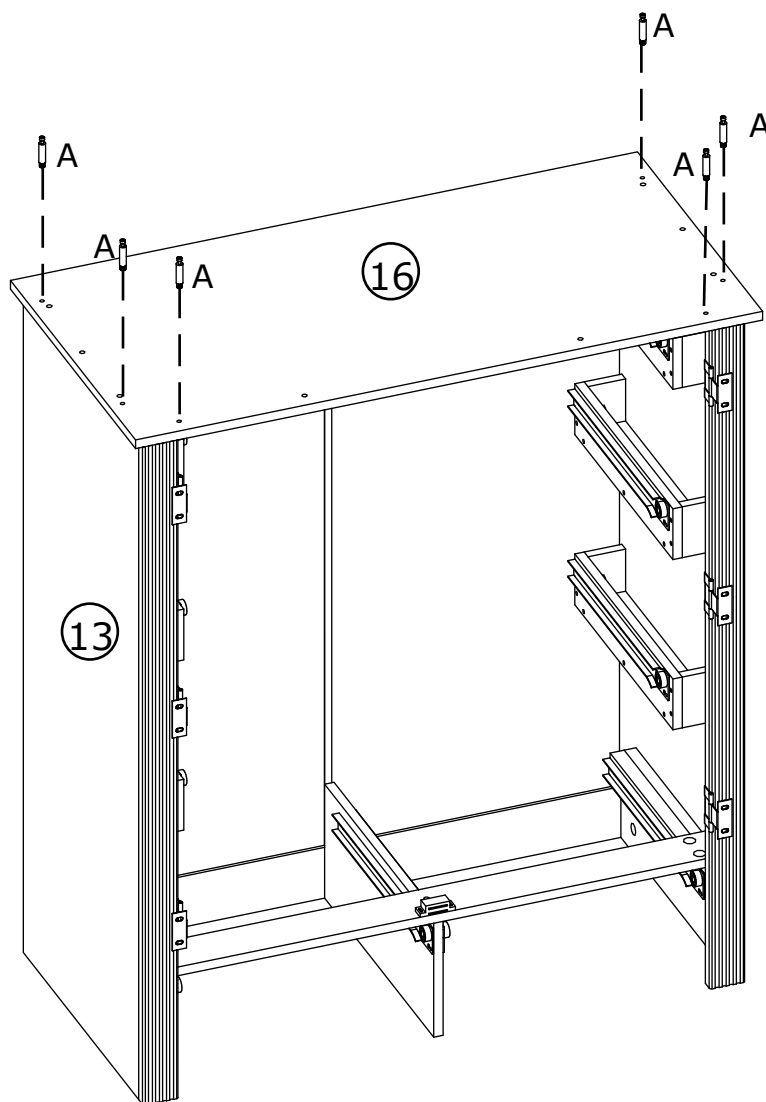
20.

Tip: Pay attention to the direction of the holes



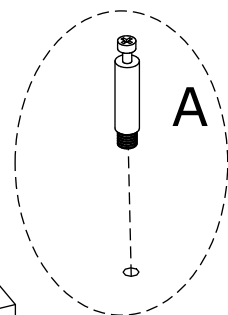
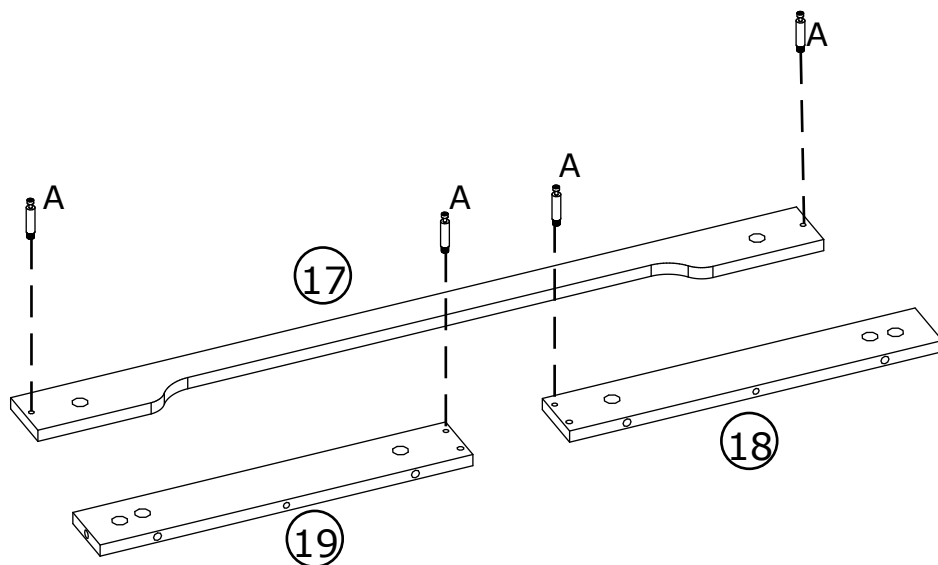
<b>C</b>  4pcs	<b>F</b>  4pcs
---	---

21.



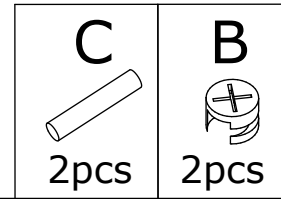
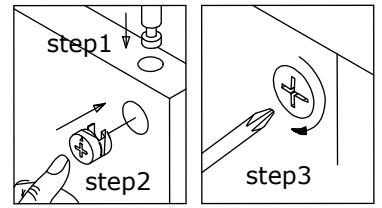
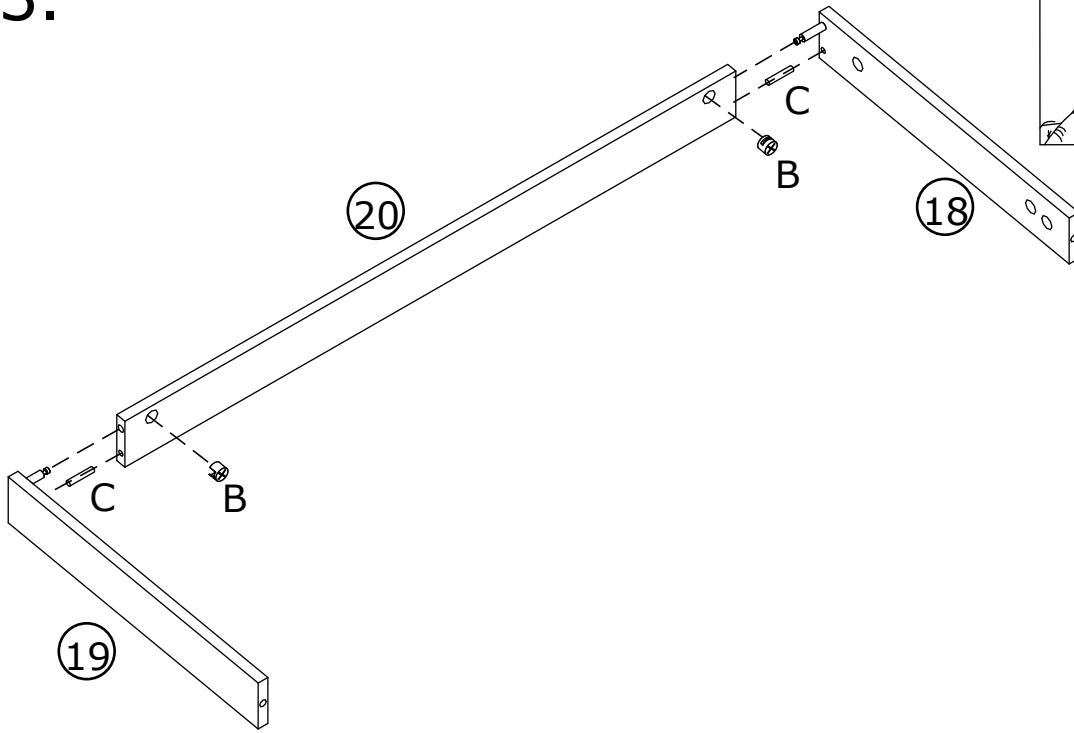
A  
6pcs

22.

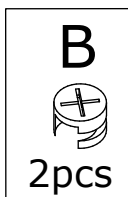
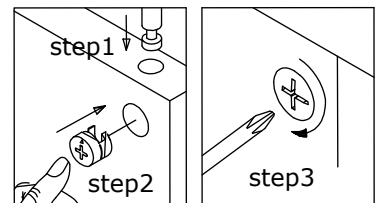
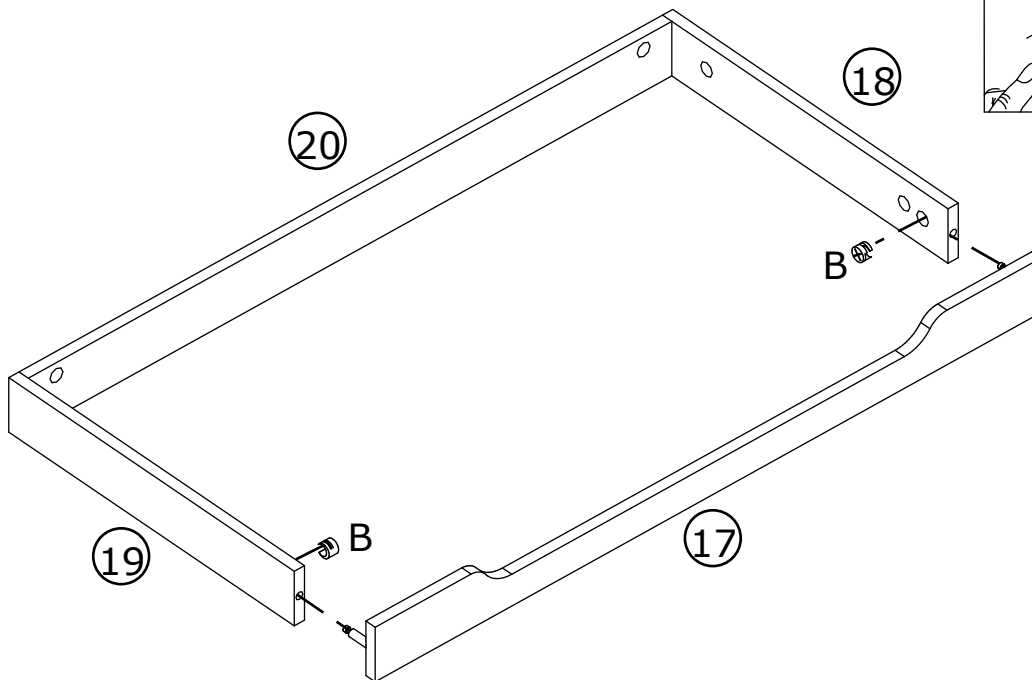


A  
4pcs

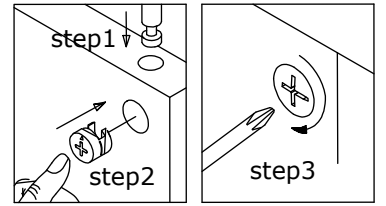
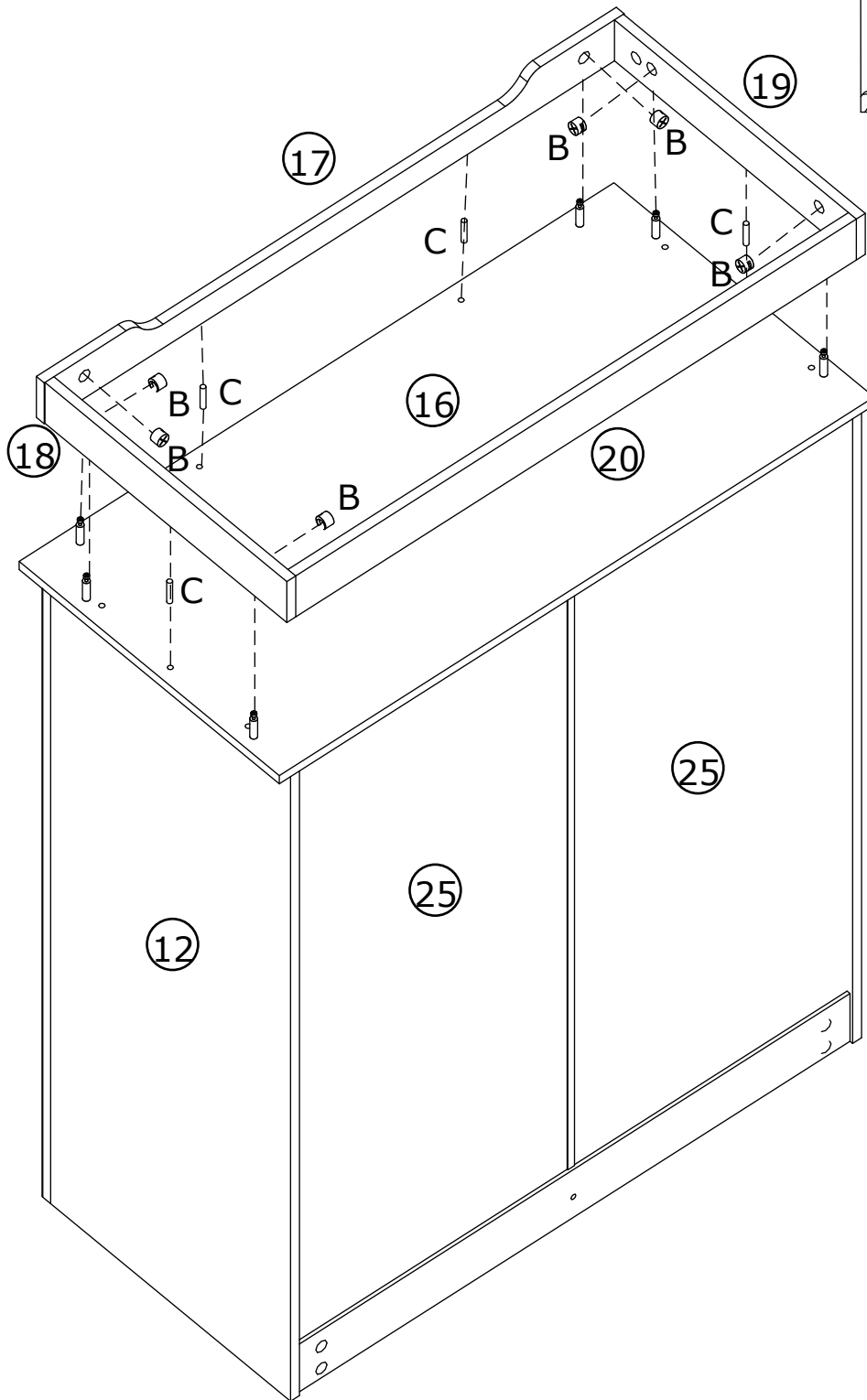
23.

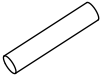



24.

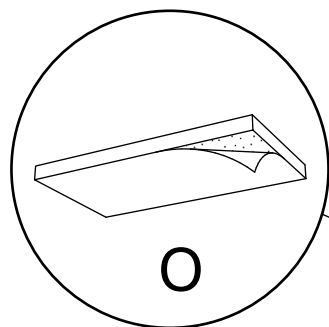


25.

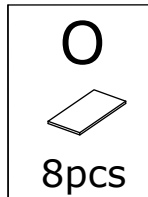
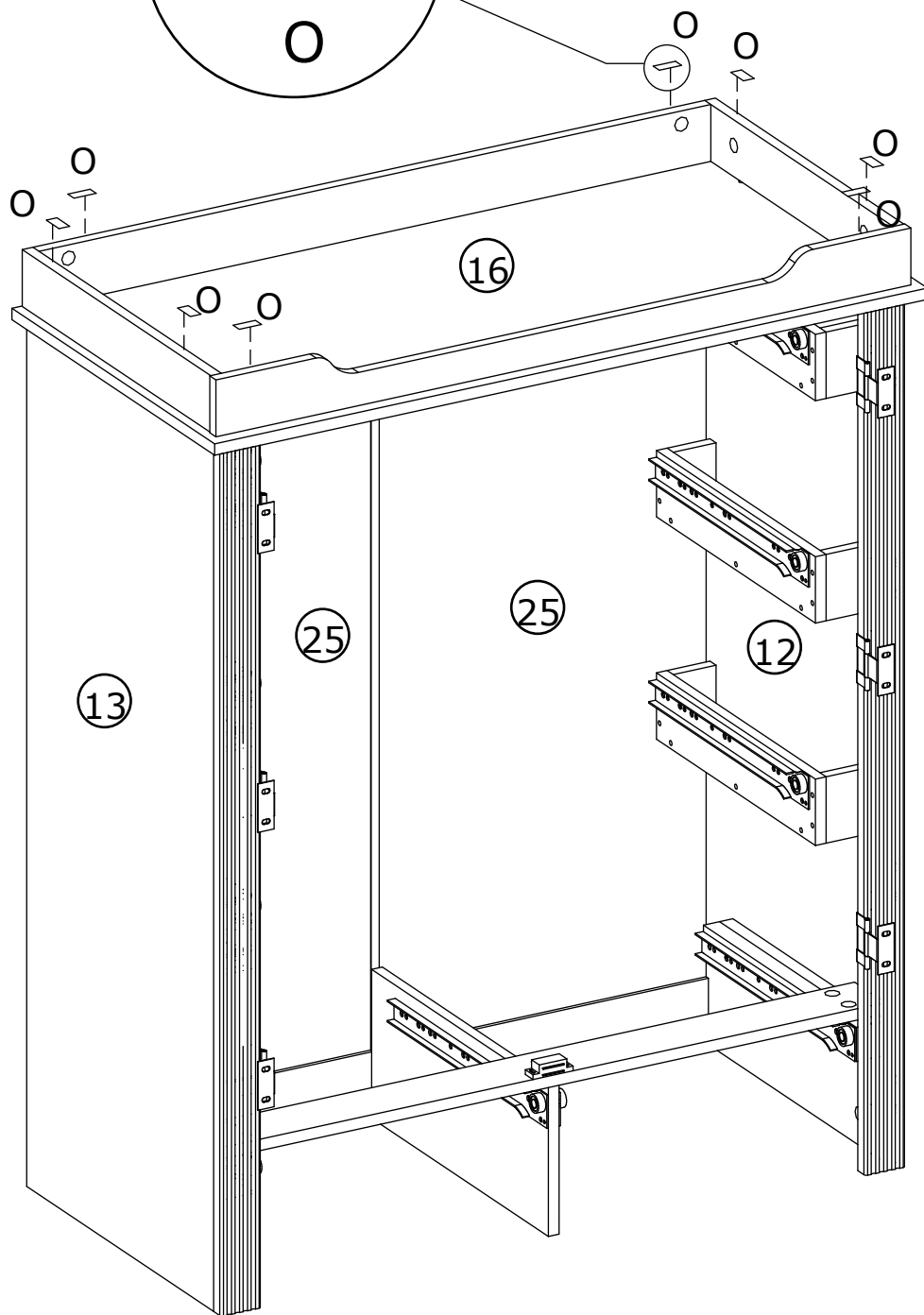


<b>C</b>  4pcs	<b>B</b>  6pcs
---	---

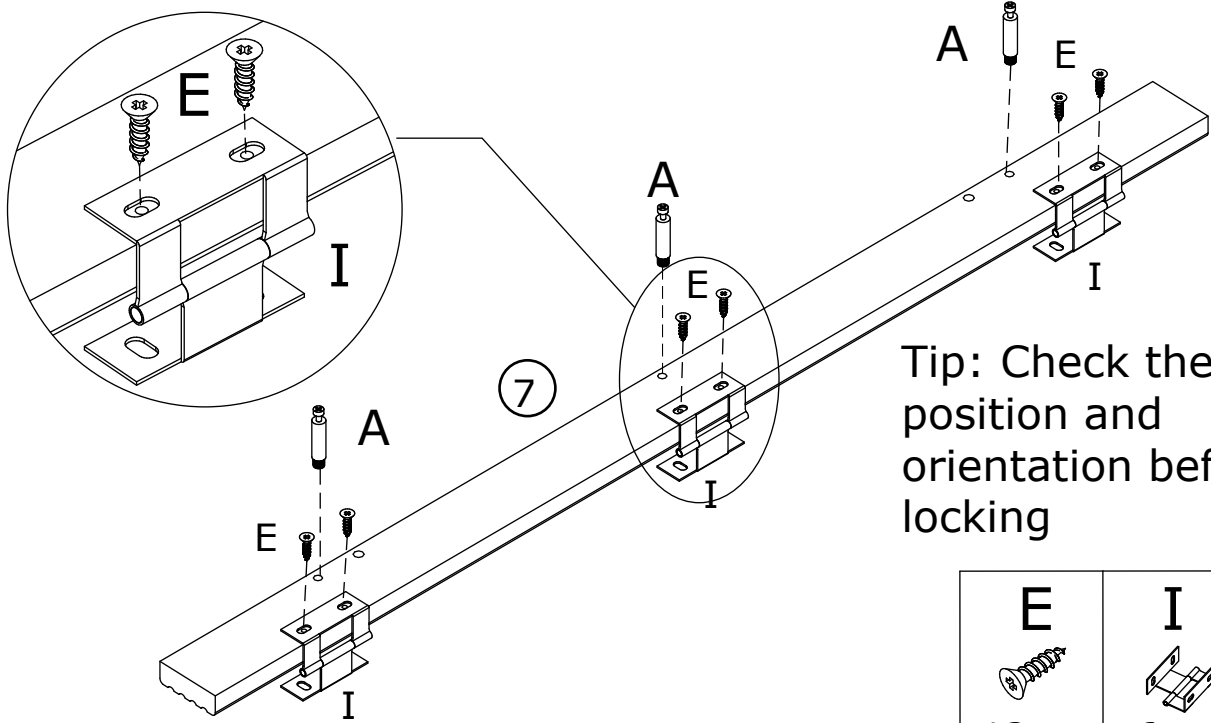
26.




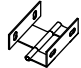

Tip: Stick after tearing



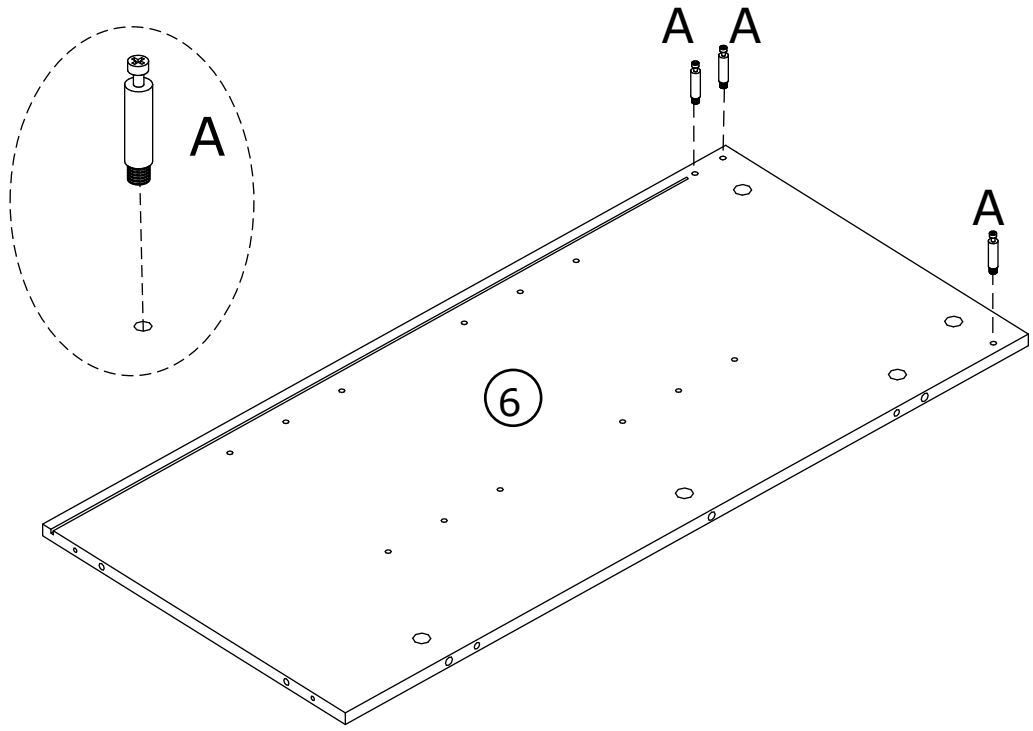
# 27.x2




Tip: Check the hinge position and orientation before locking

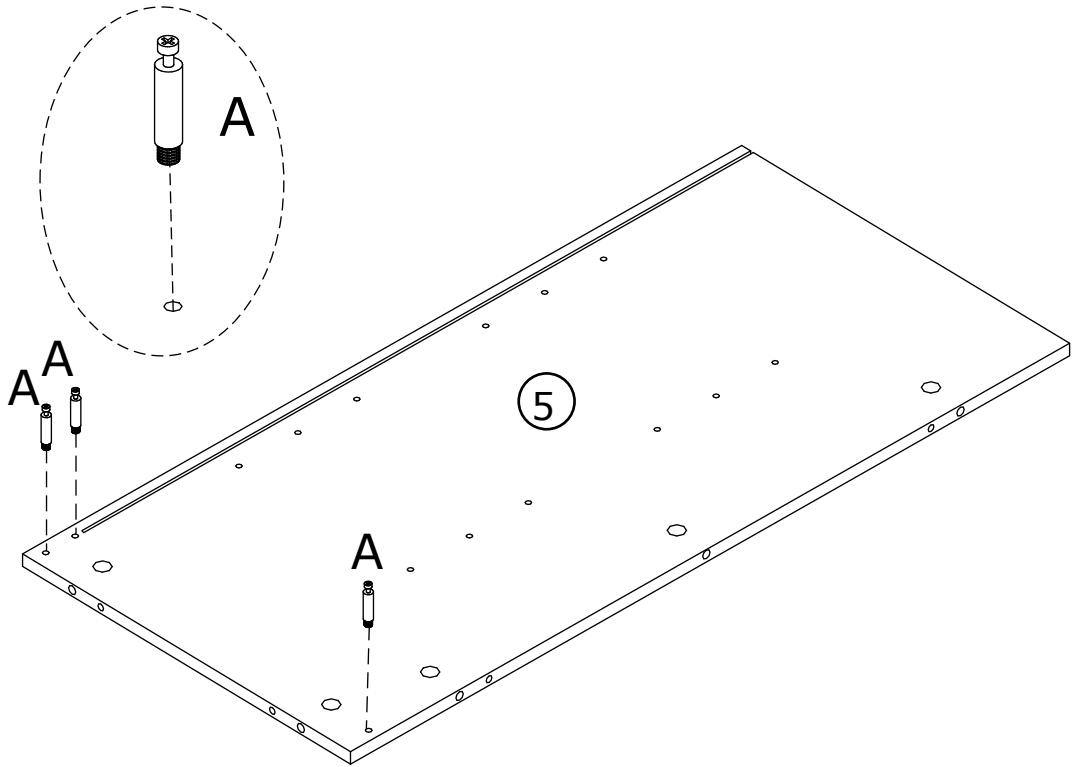
<b>E</b>  12pcs	<b>I</b>  6pcs	<b>A</b>  6pcs
--	---	---

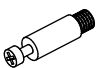
# 28.



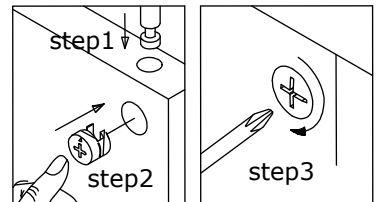
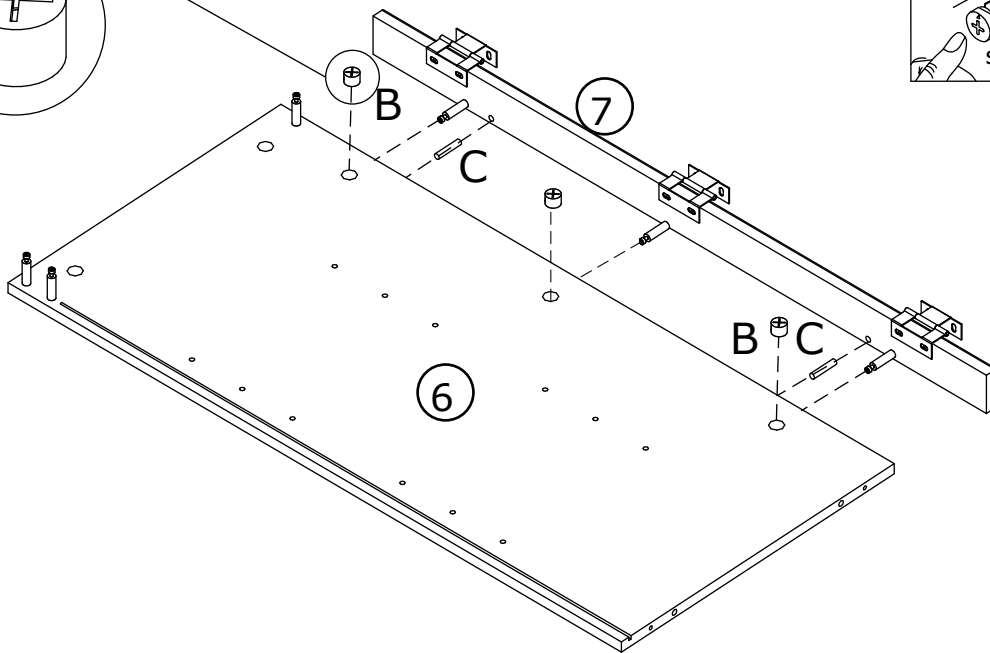
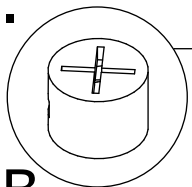
<b>A</b>  3pcs
---

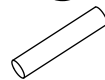

29.



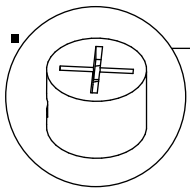
**A**  
  
3pcs

30.

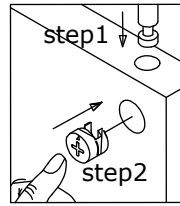
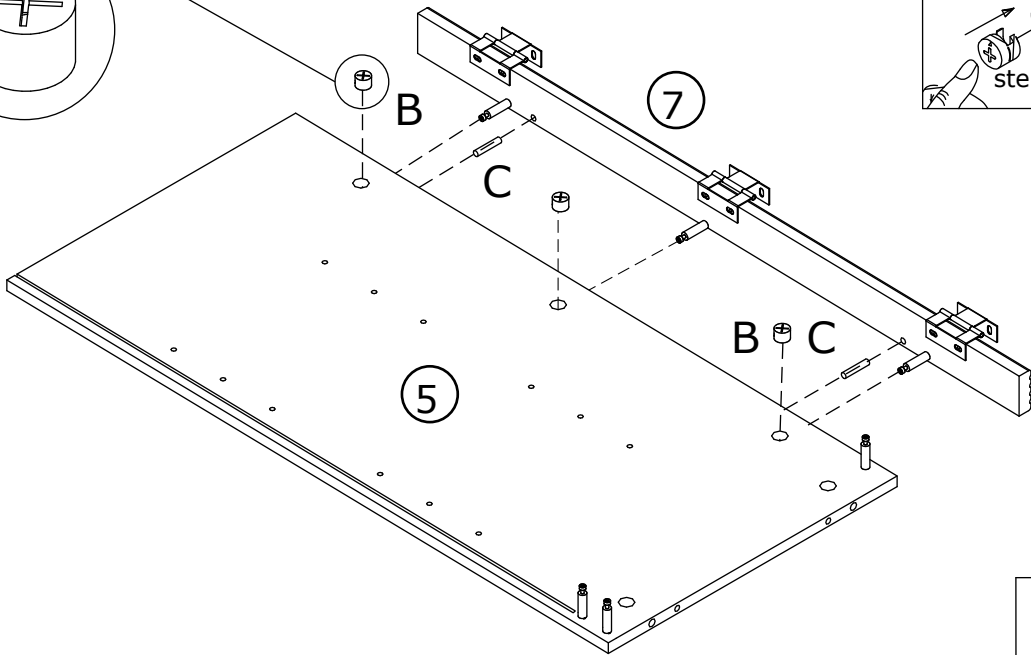


<b>C</b>  2pcs	<b>B</b>  3pcs
---	---

31.

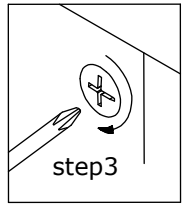


B

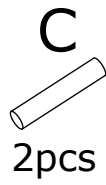


step1

step2



step3

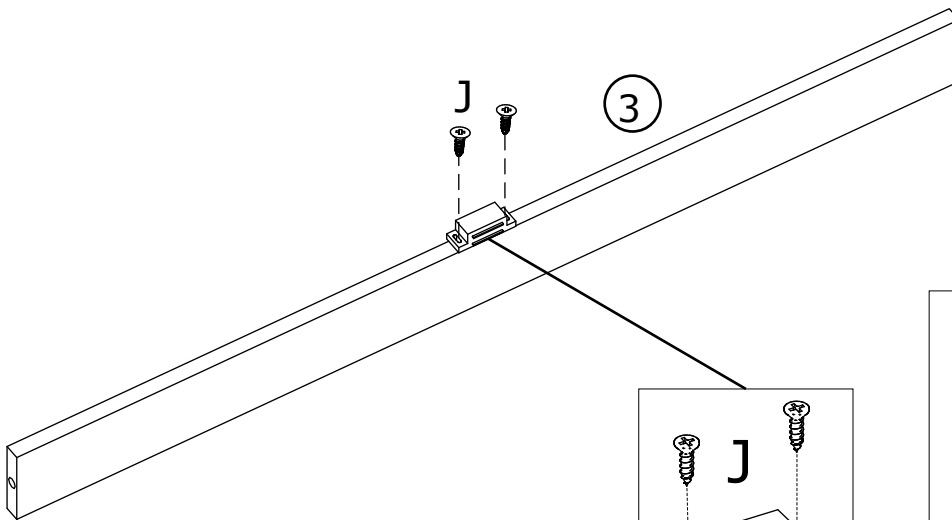


2pcs



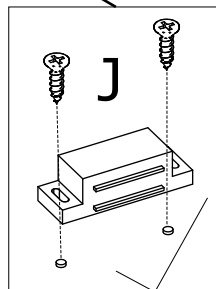
3pcs

32.

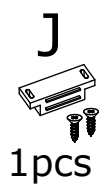
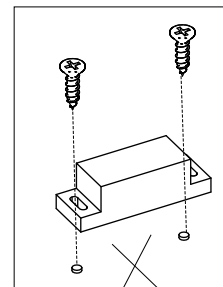


J

3

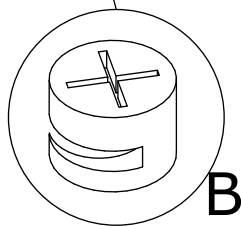
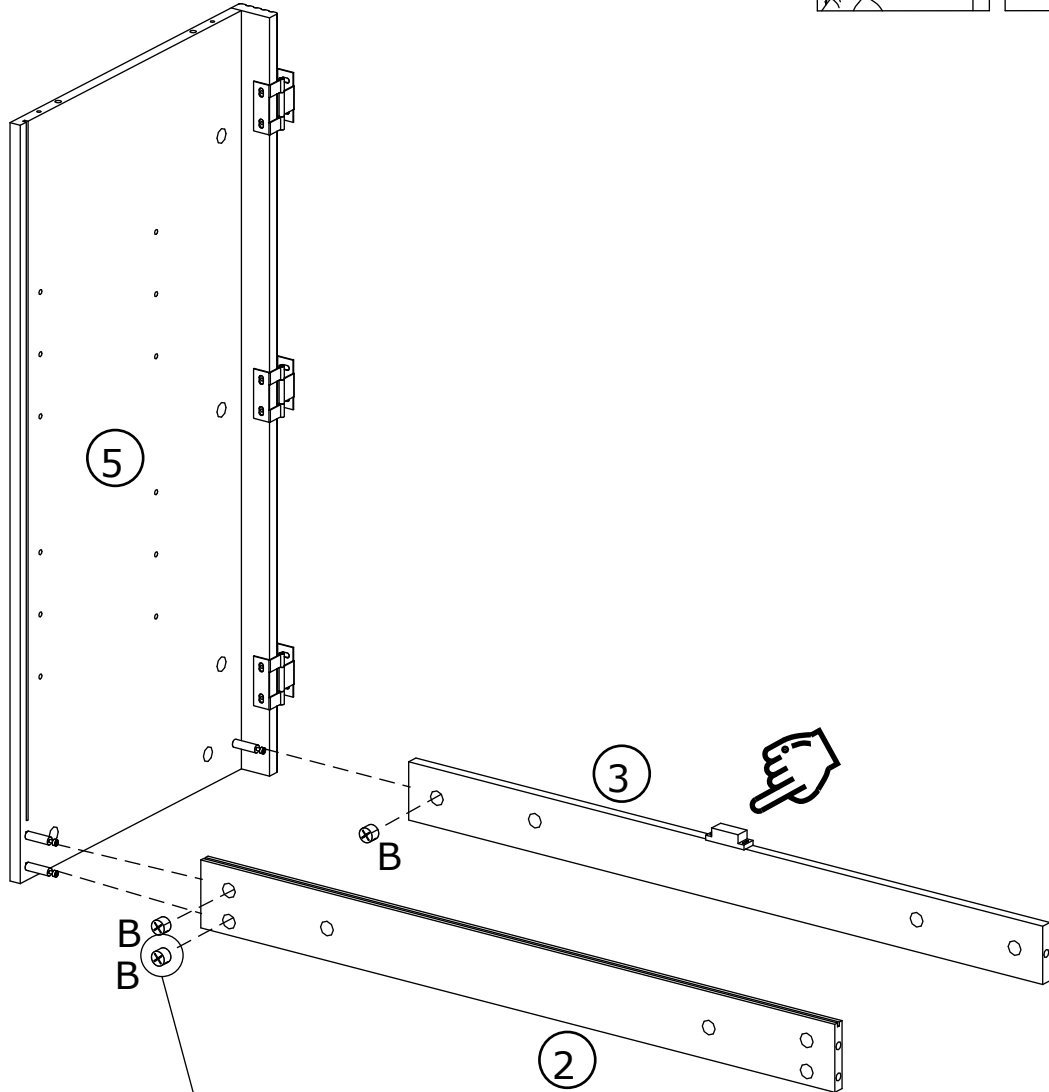
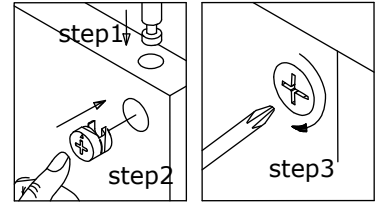



J



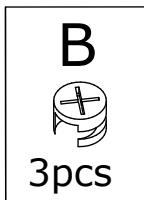
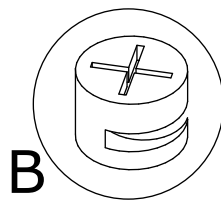
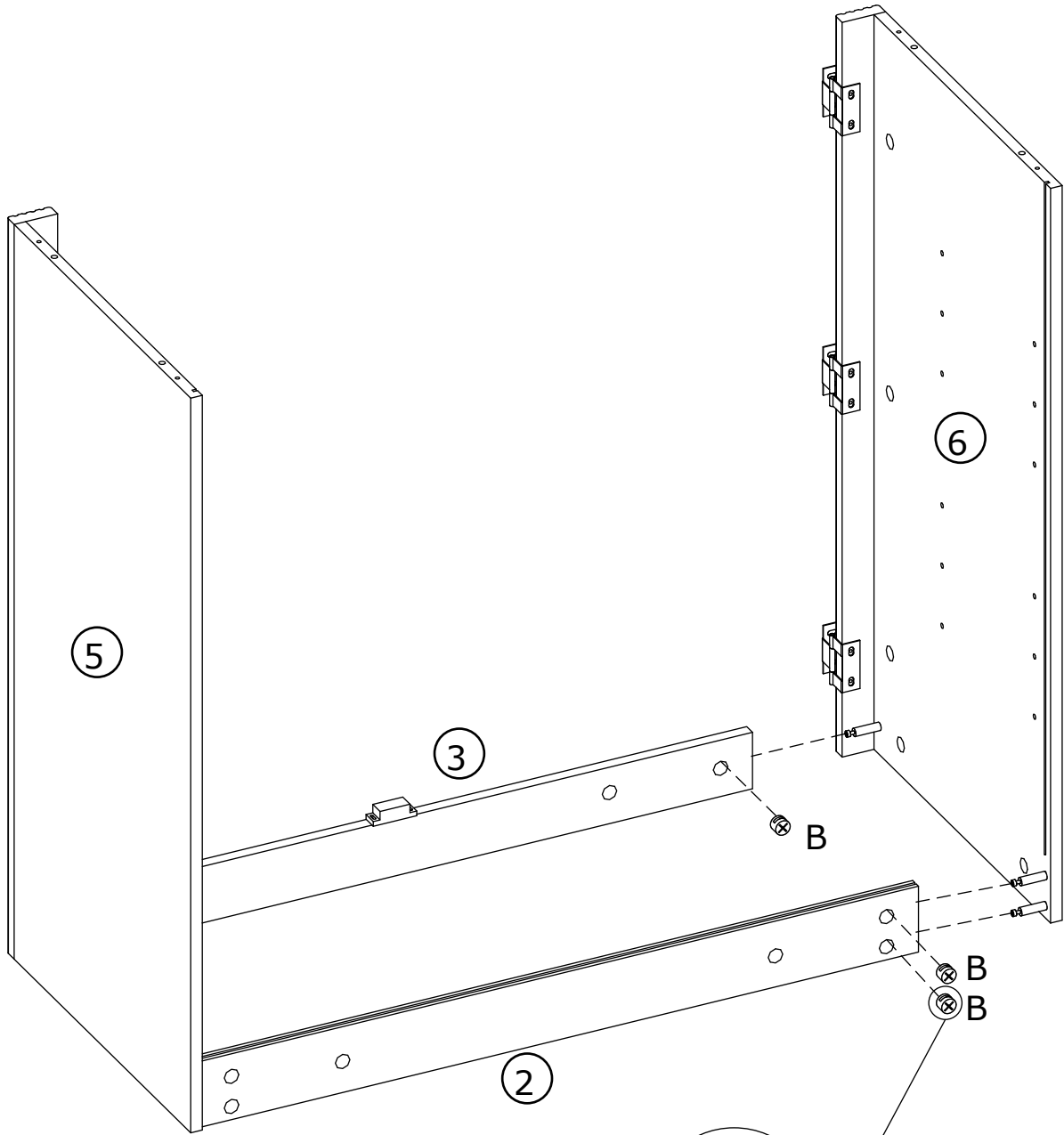
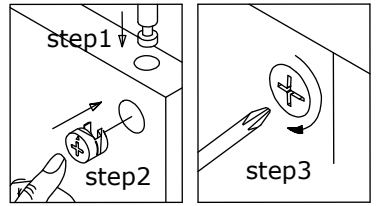
1pcs

33.

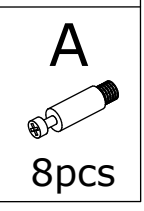
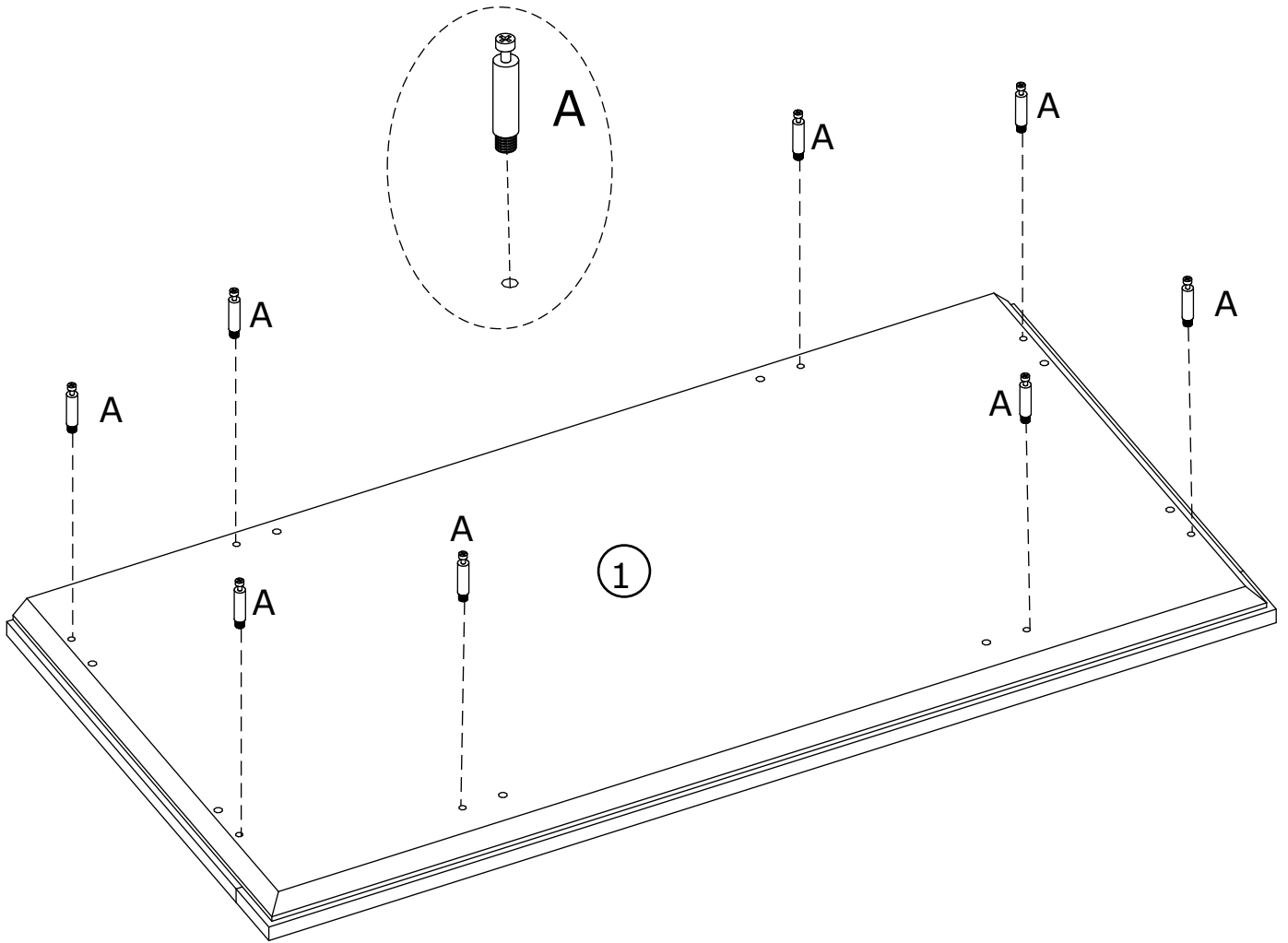


**B**  
  
3pcs

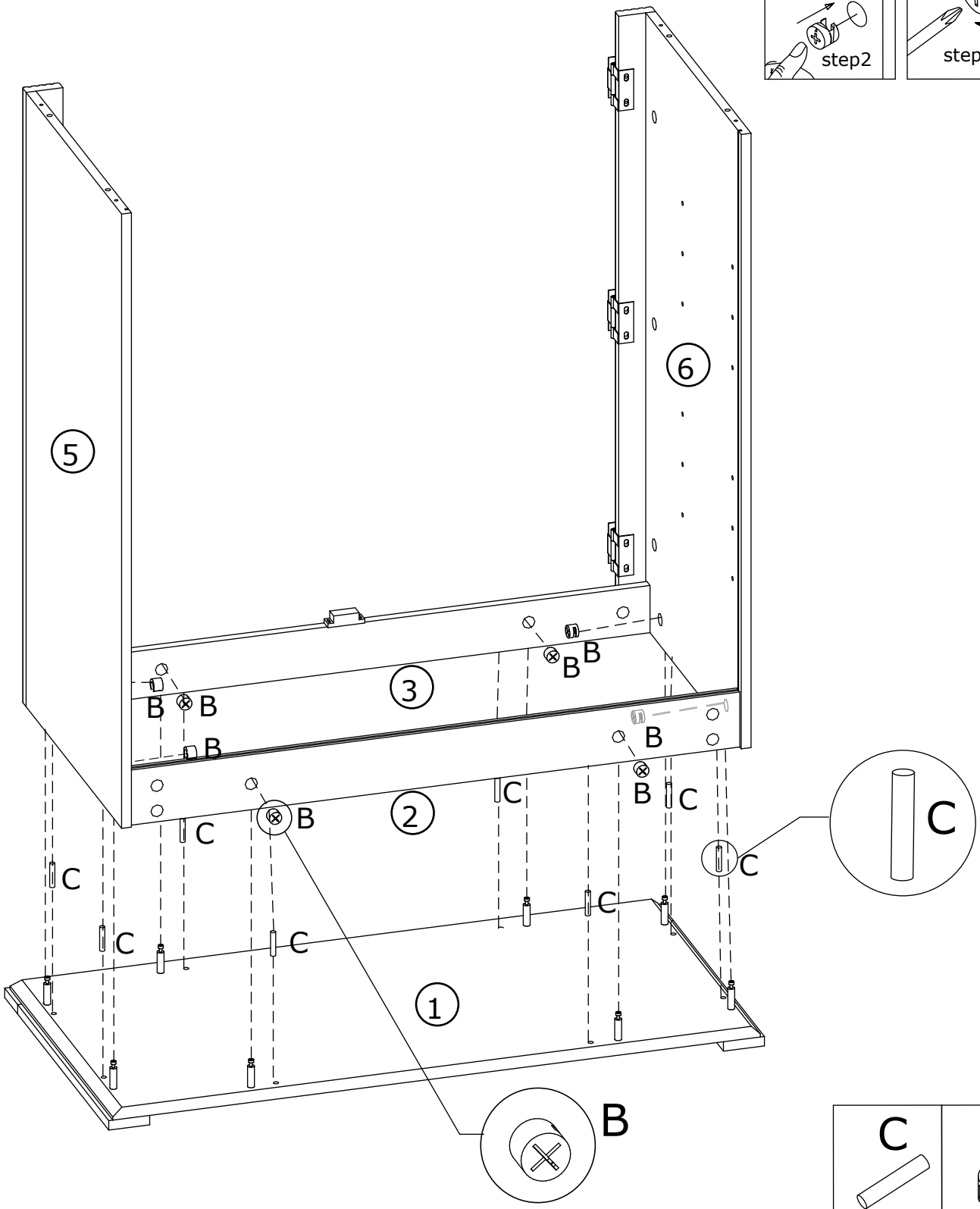
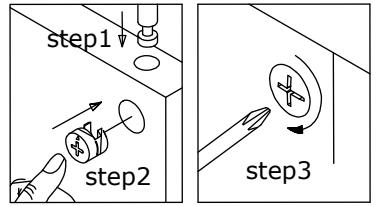
34.

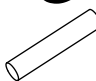



35.

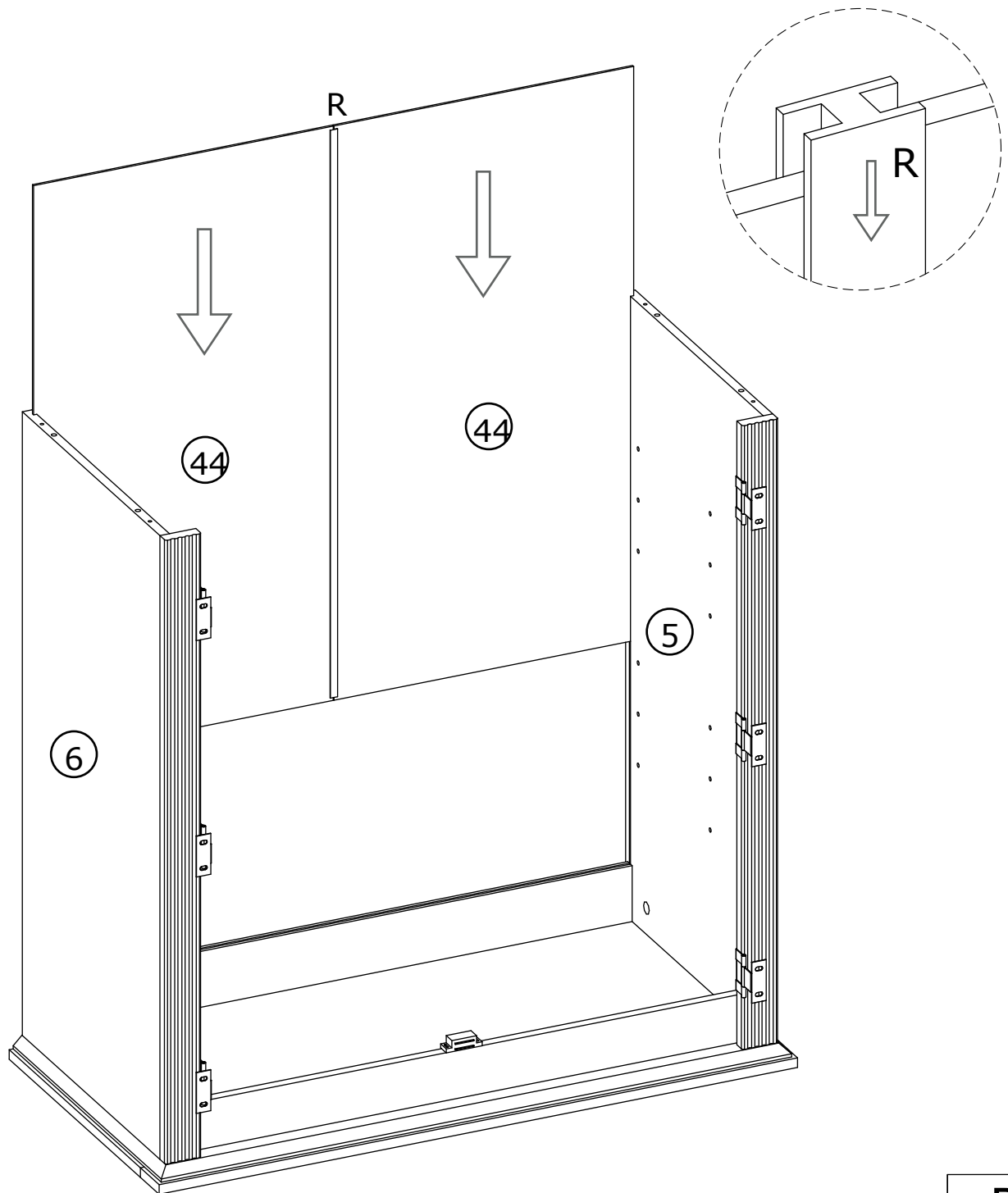


36.



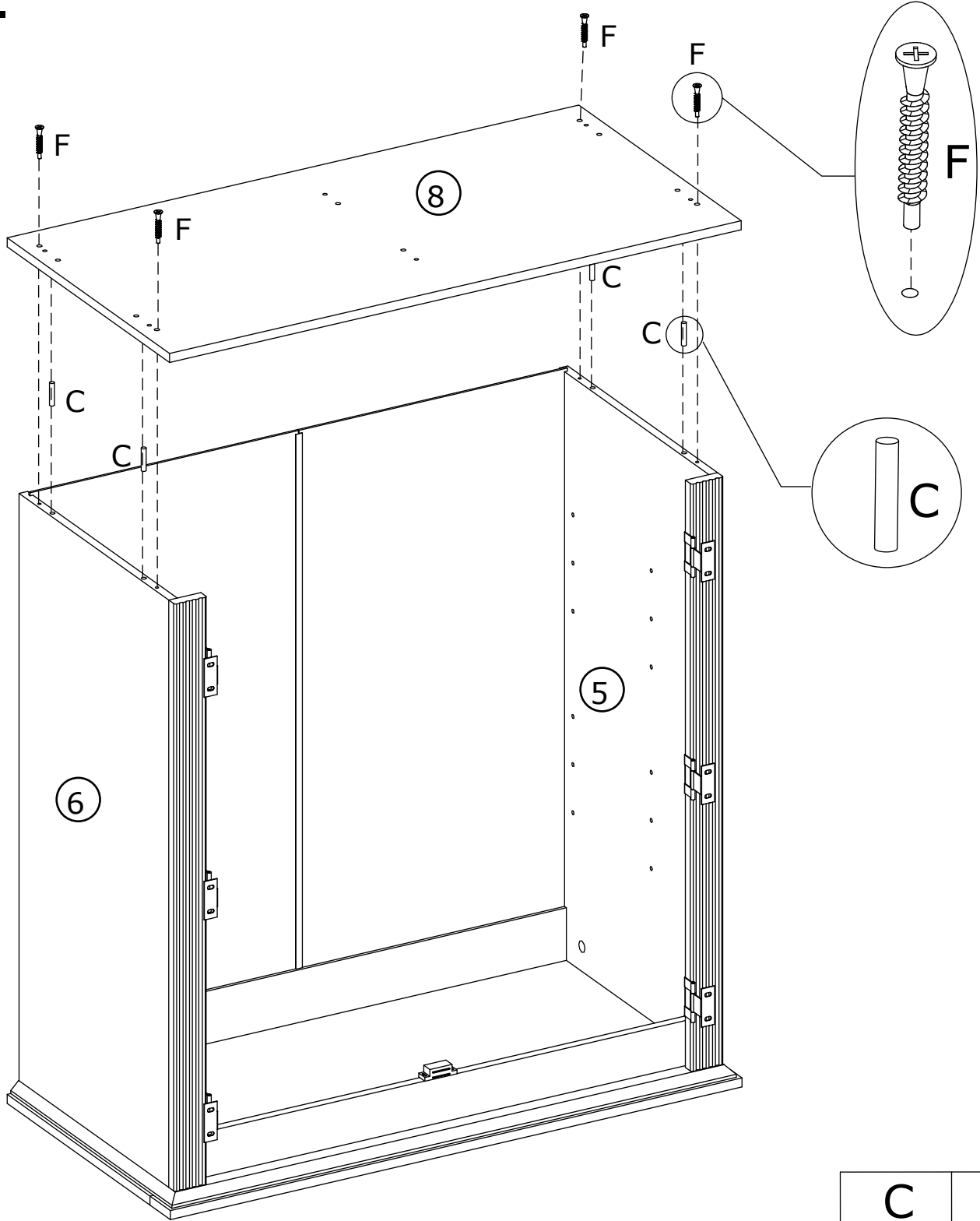
<b>C</b>  8pcs	<b>B</b>  8pcs
---	---

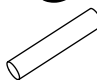

37.



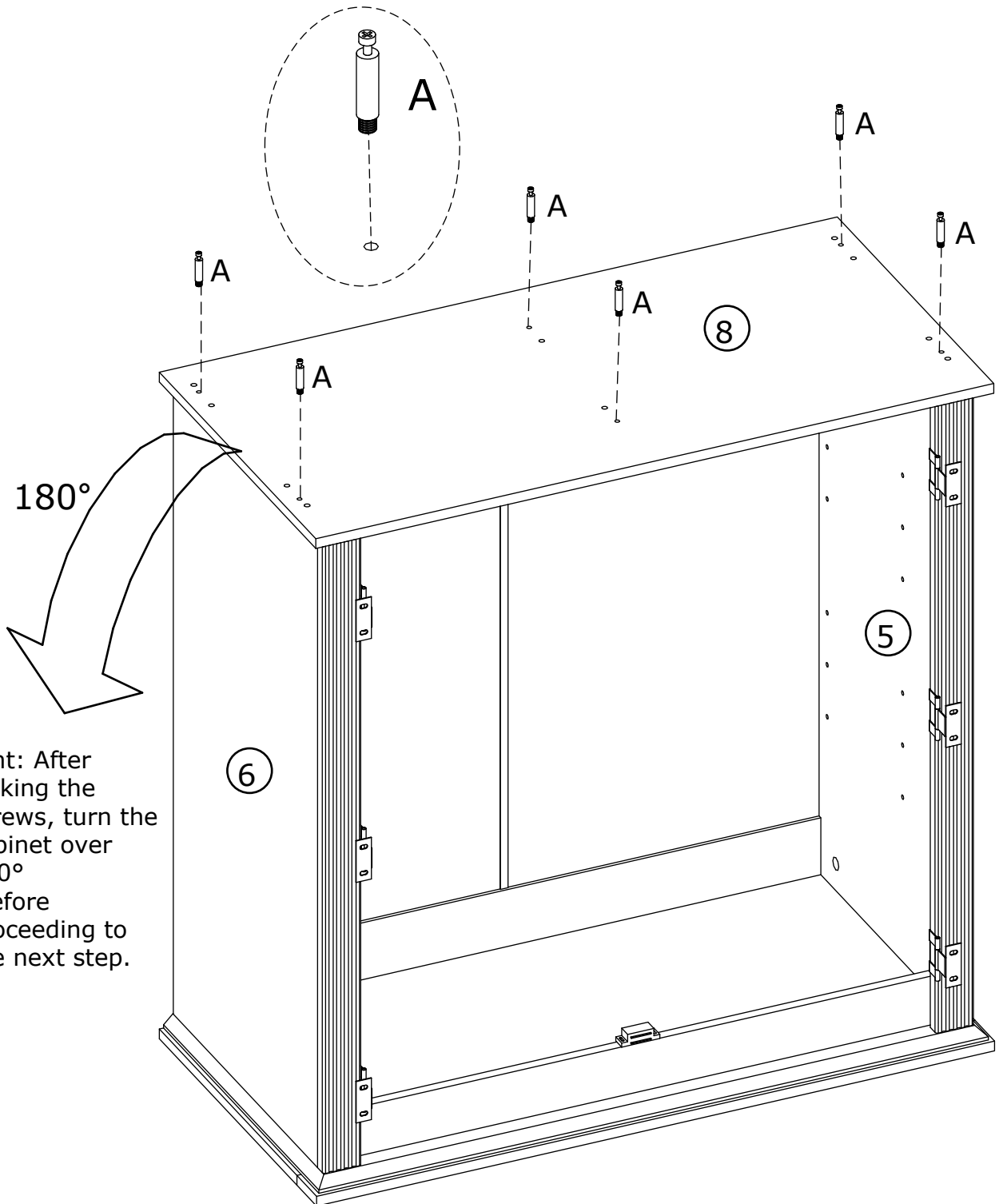
R  
1 pcs

38.




<b>C</b>  4pcs	<b>F</b>  4pcs
---	---

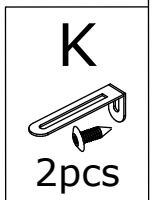
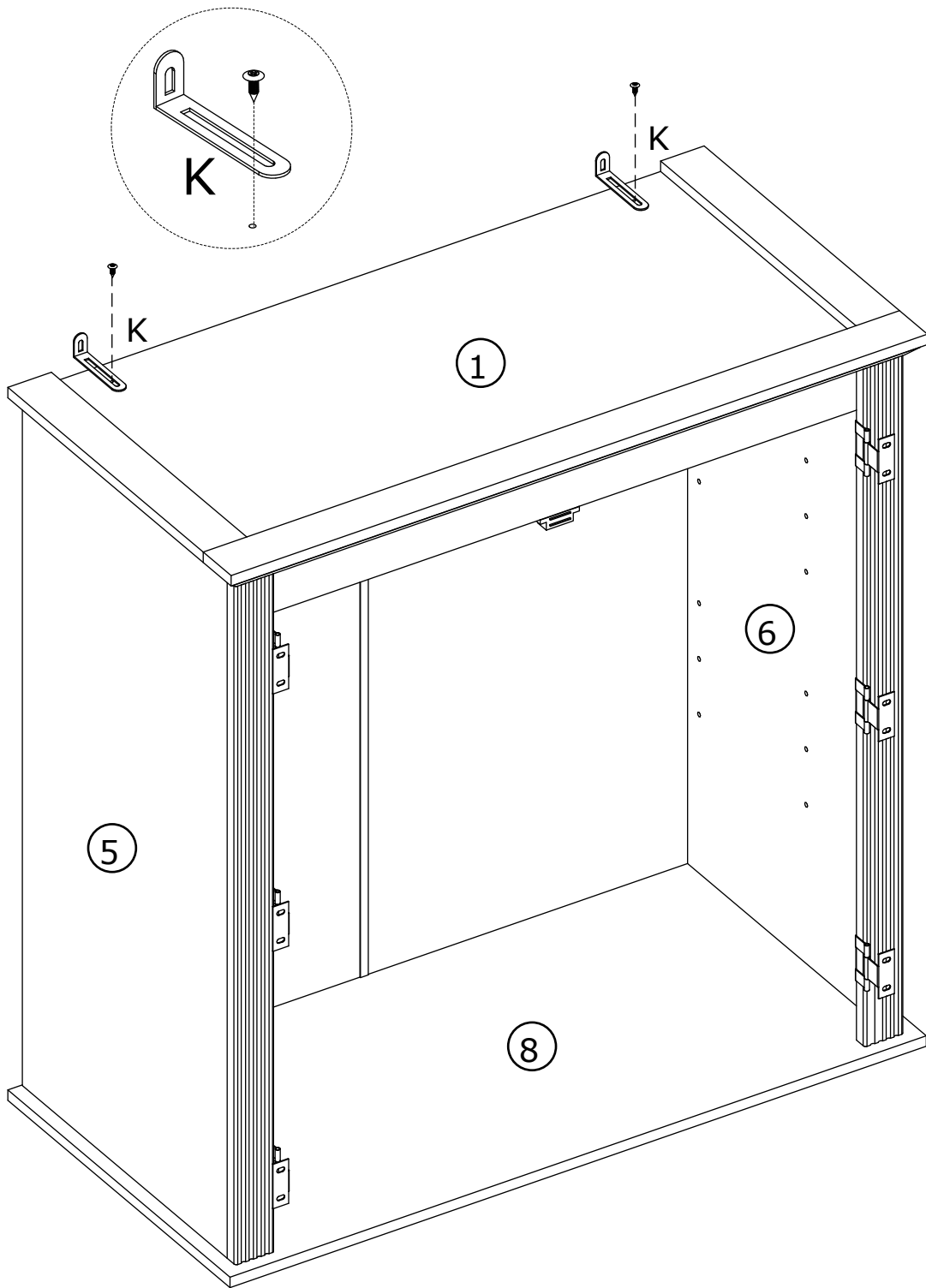
39.



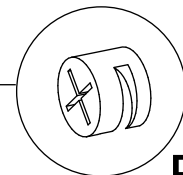
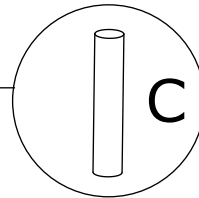
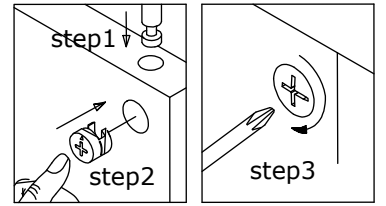
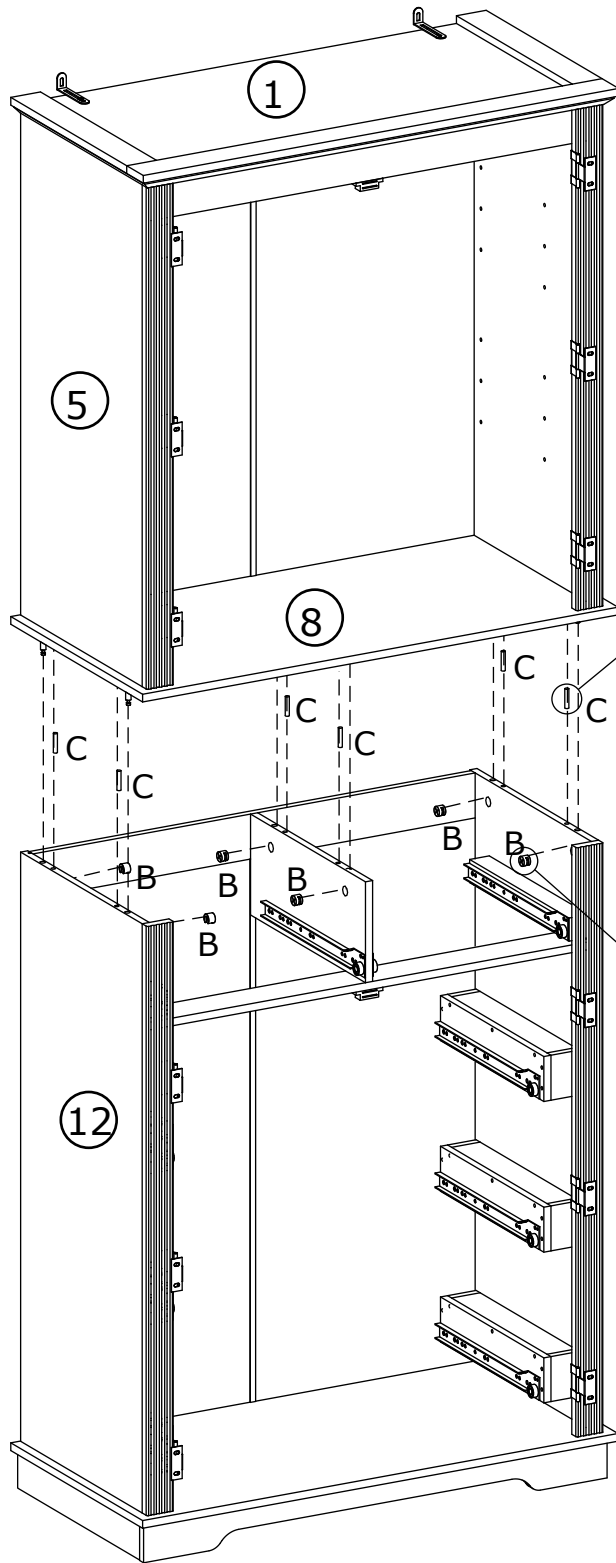
Hint: After locking the screws, turn the cabinet over 180° before proceeding to the next step.

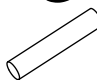

**A**  
  
6pcs

40.

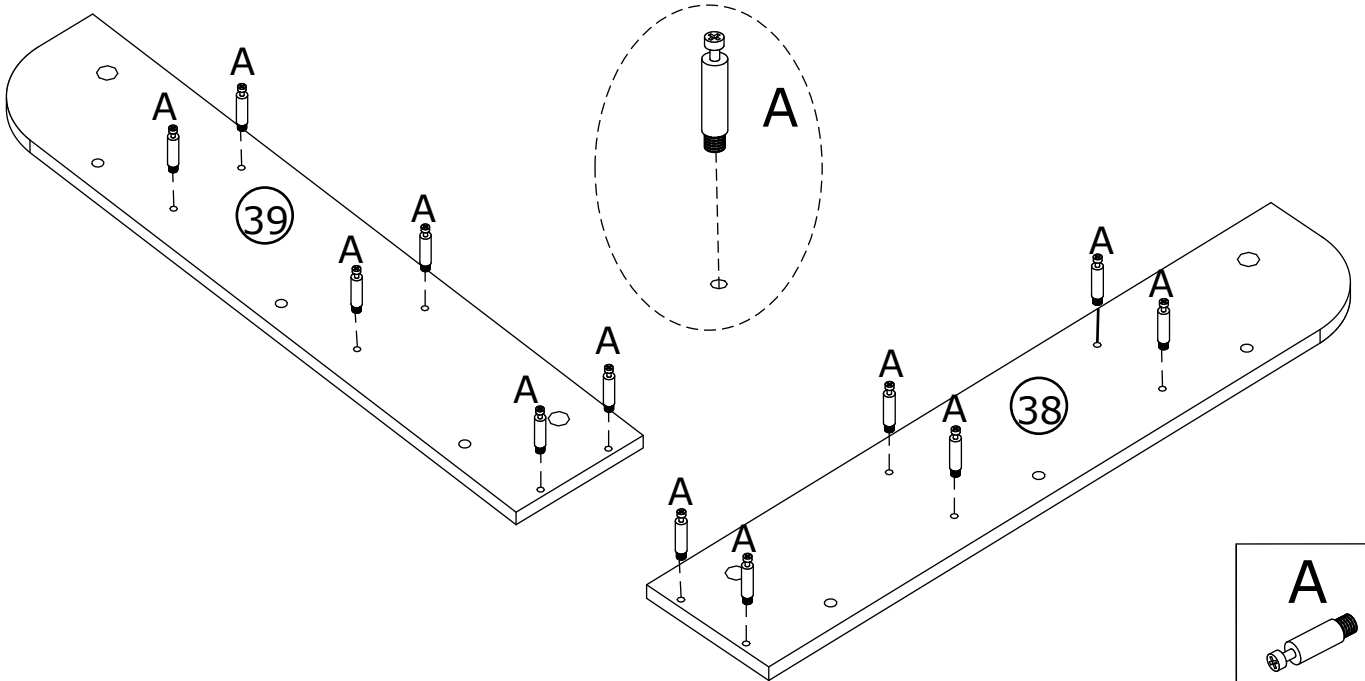


41.



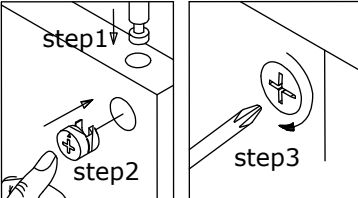
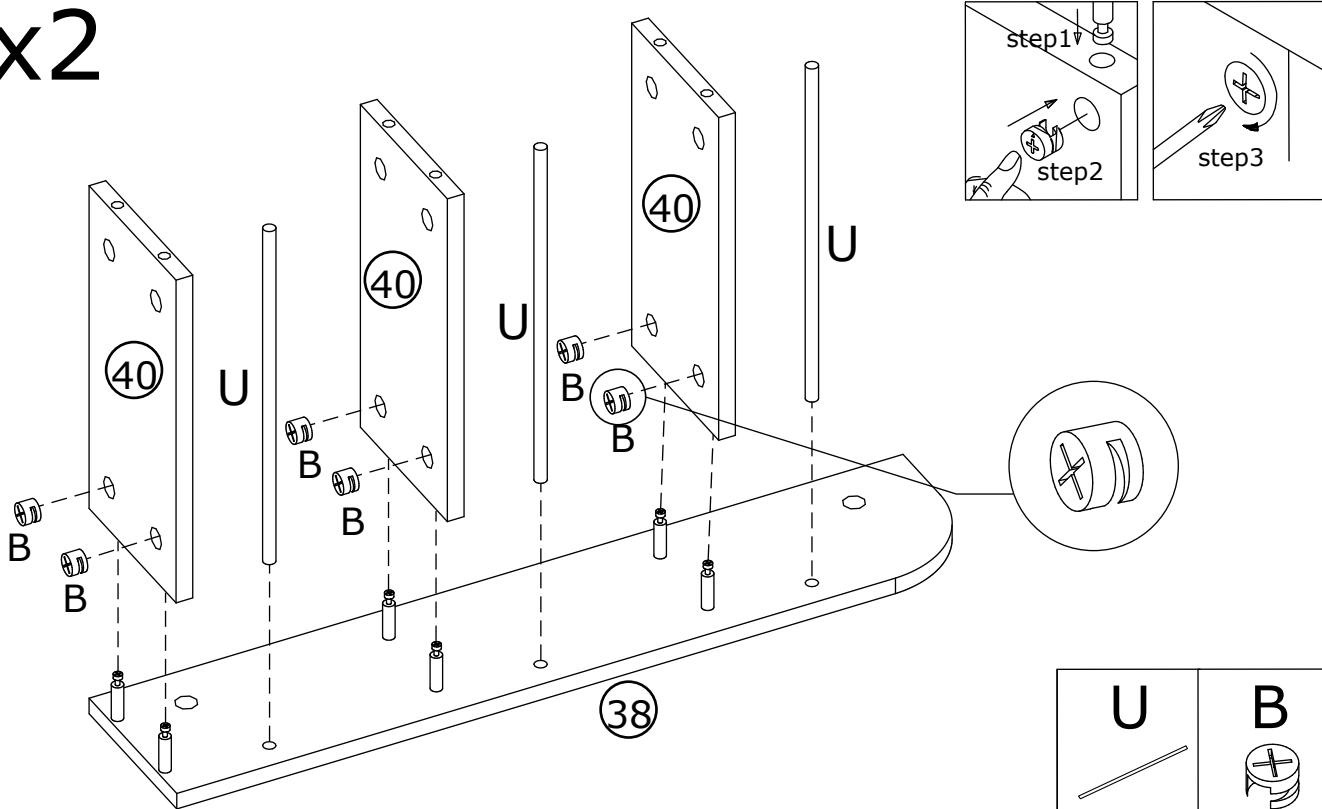
<b>C</b>  6pcs	<b>B</b>  6pcs
---	---

42.x2



**A**  
24pcs

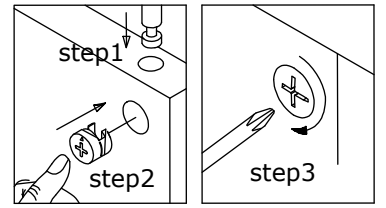
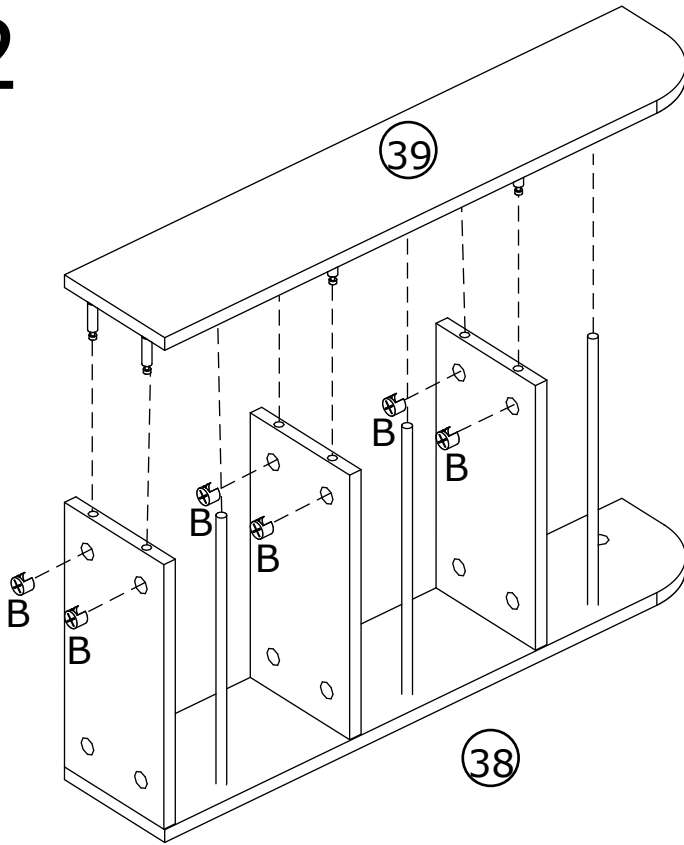
43.x2



**U**  
6pcs

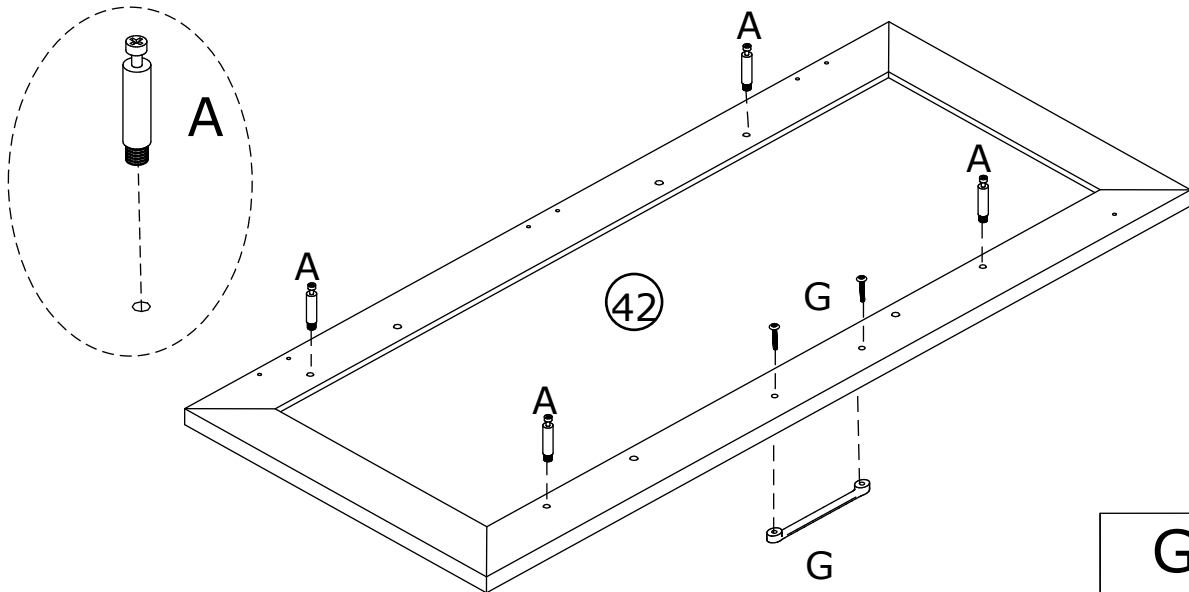
**B**  
12pcs

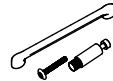
44.x2

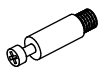


**B**  
  
12pcs

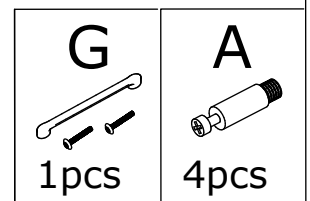
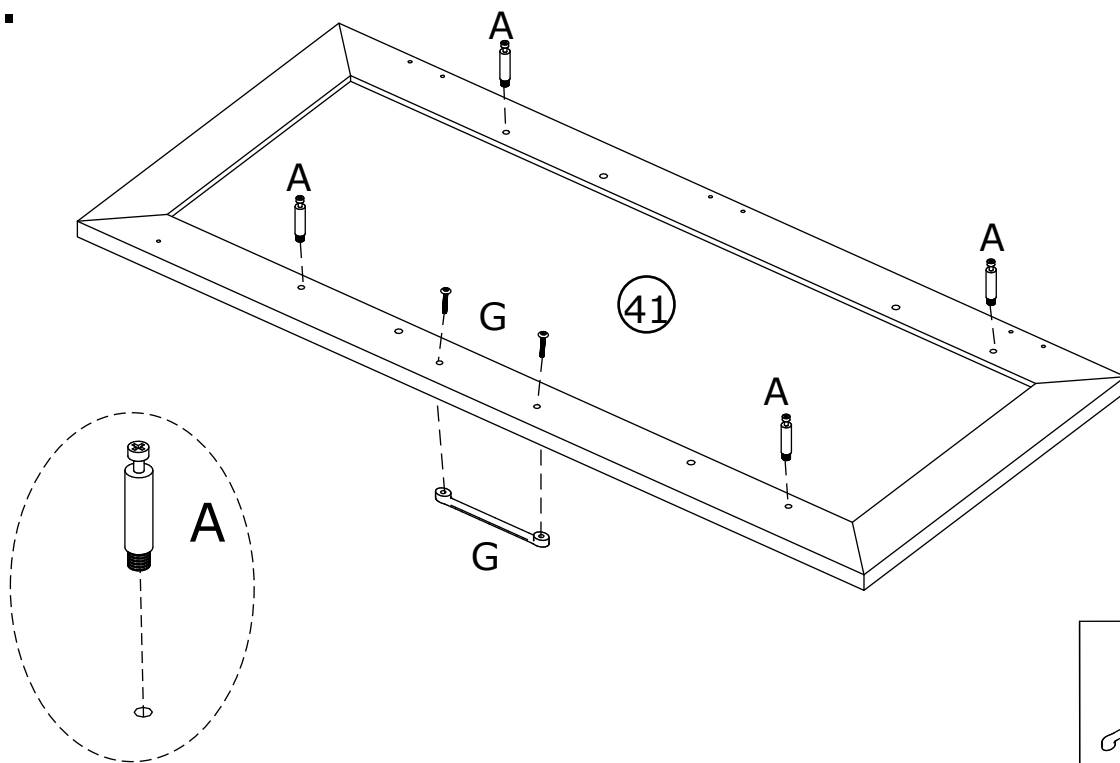
45.



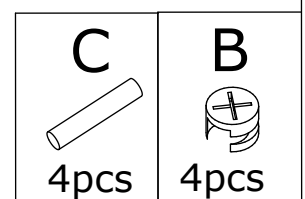
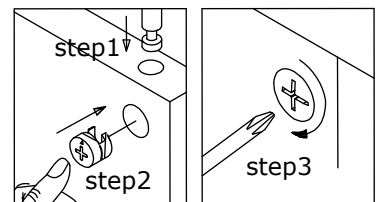
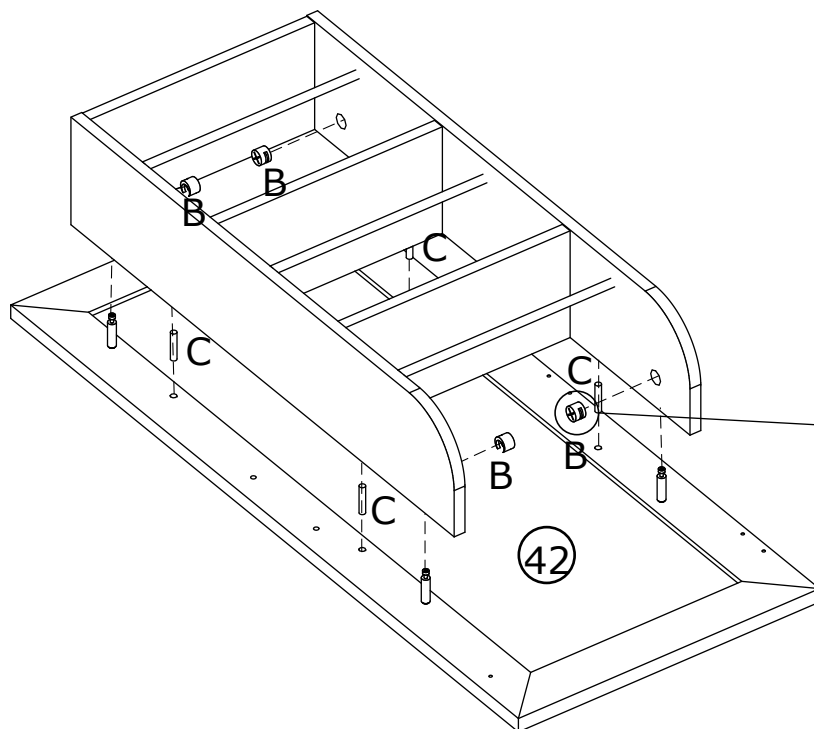
**G**  
  
1pcs

**A**  
  
4pcs

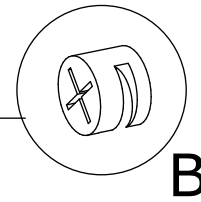
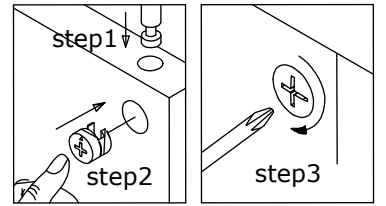
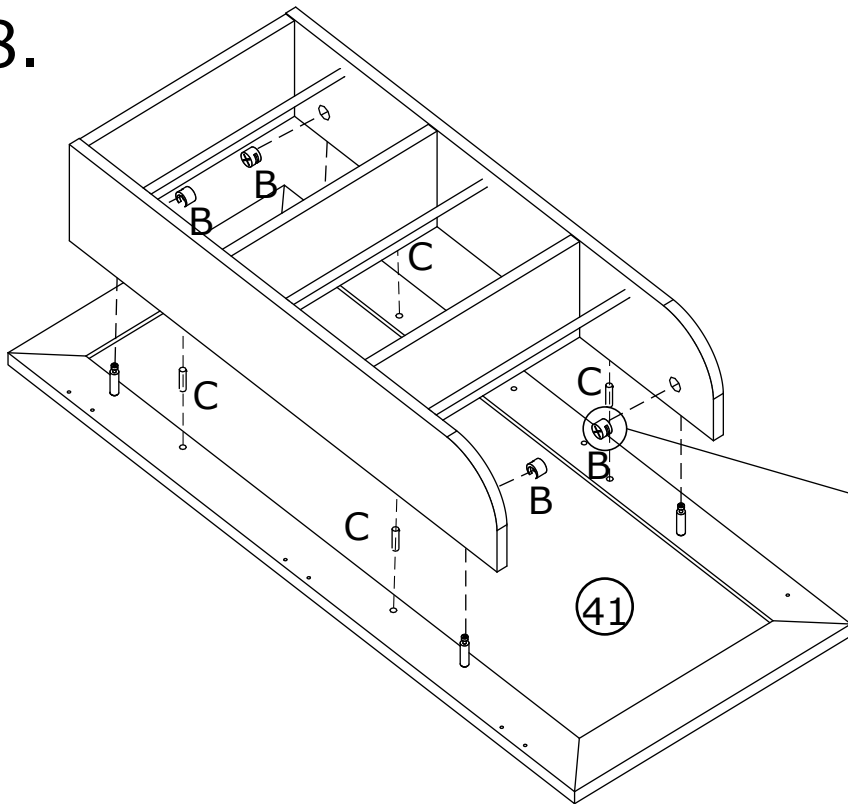
46.



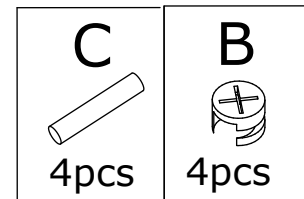
47.



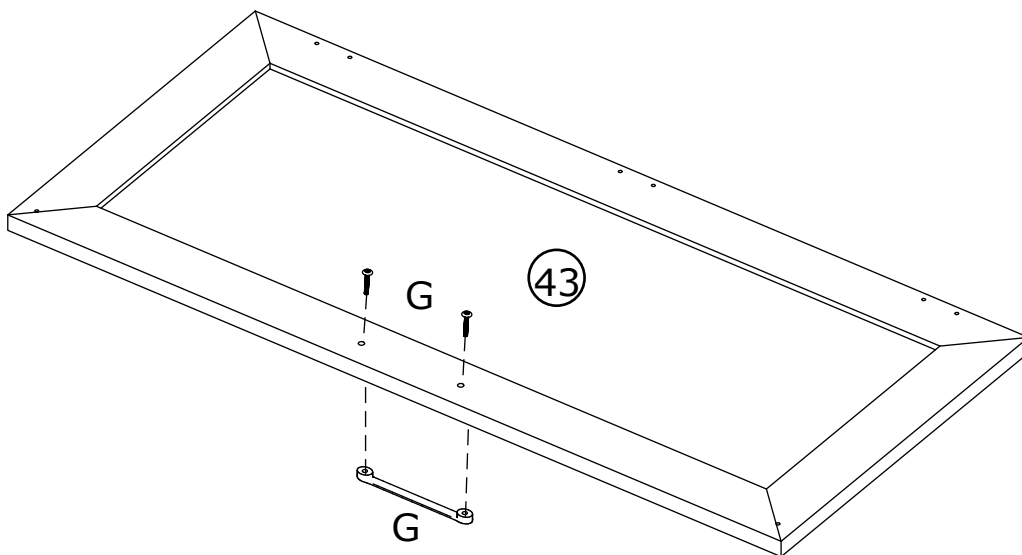
48.



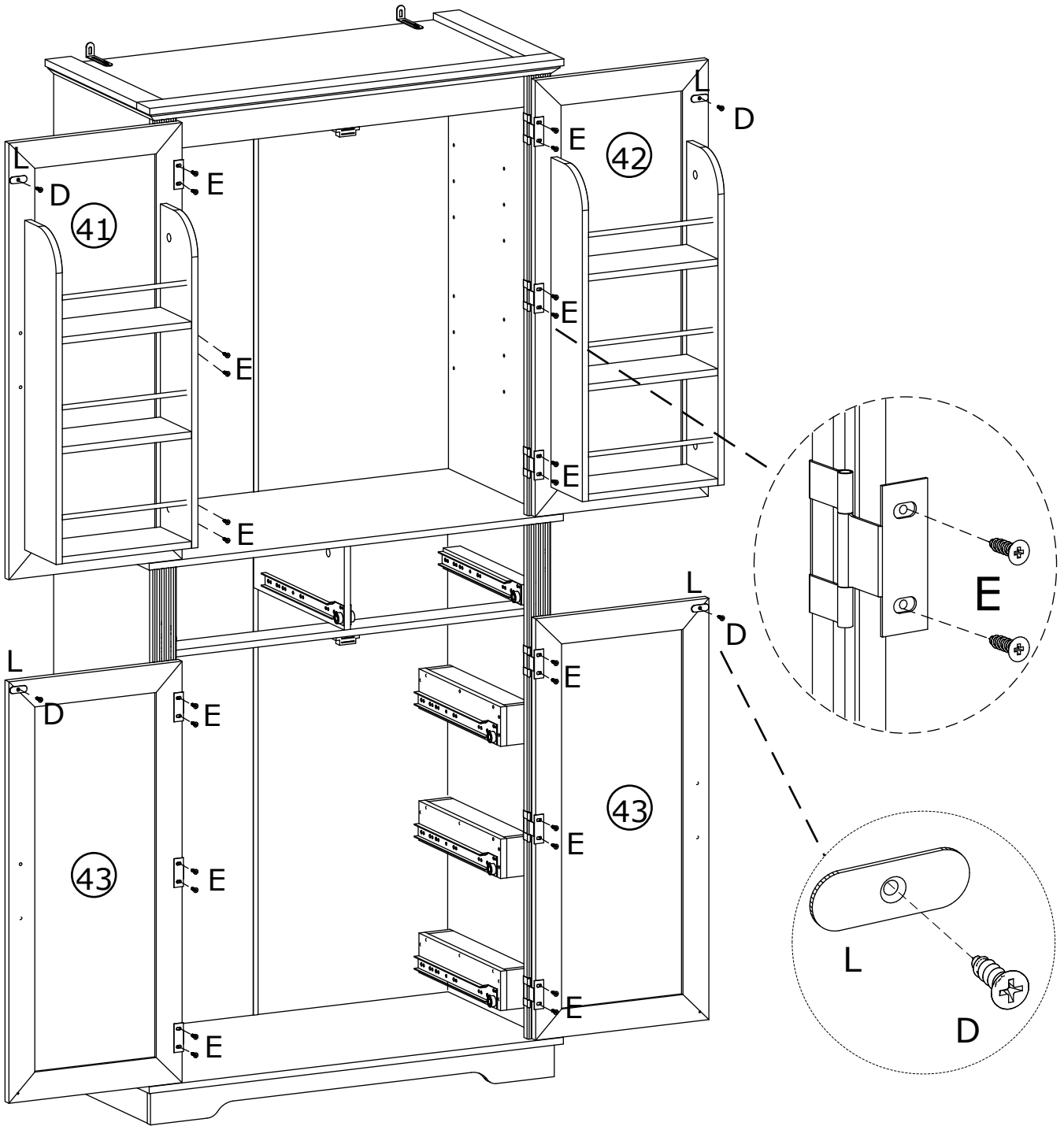
**B**

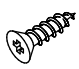
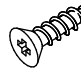



49.



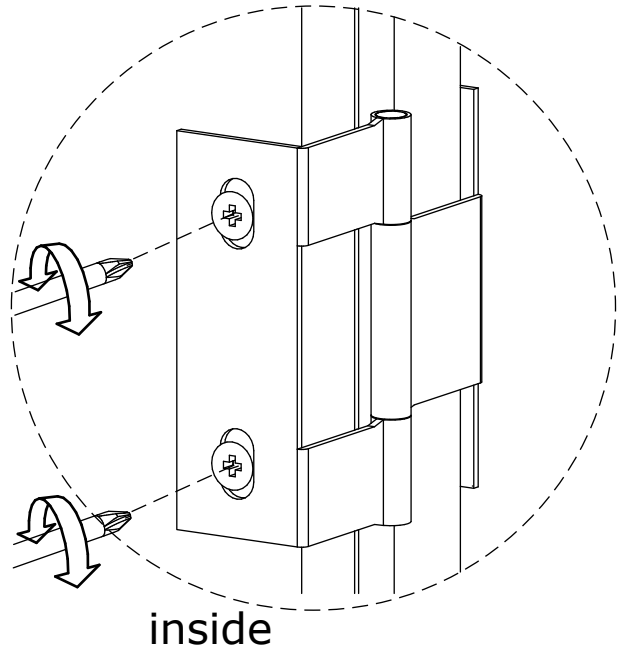
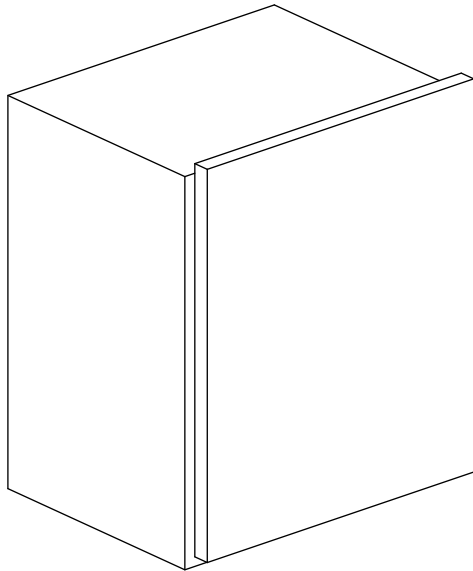
50.



<b>D</b>  4pcs	<b>E</b>  24pcs	<b>L</b>  4pcs
---	--	---

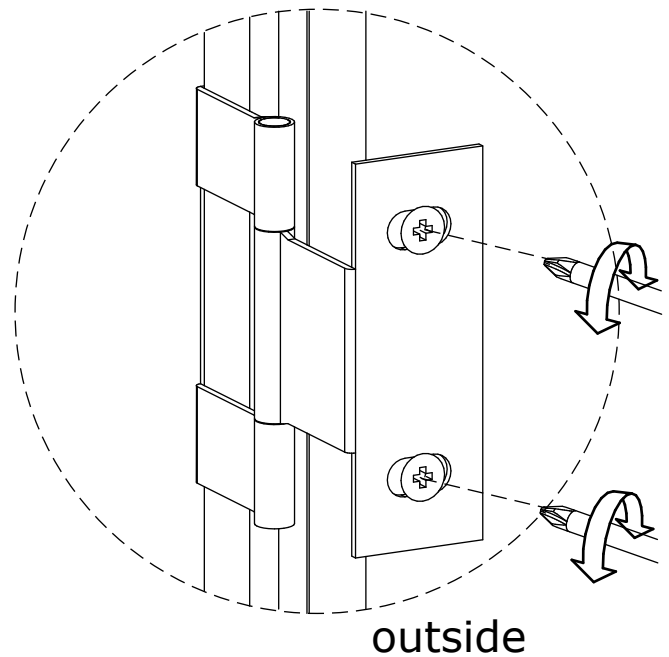
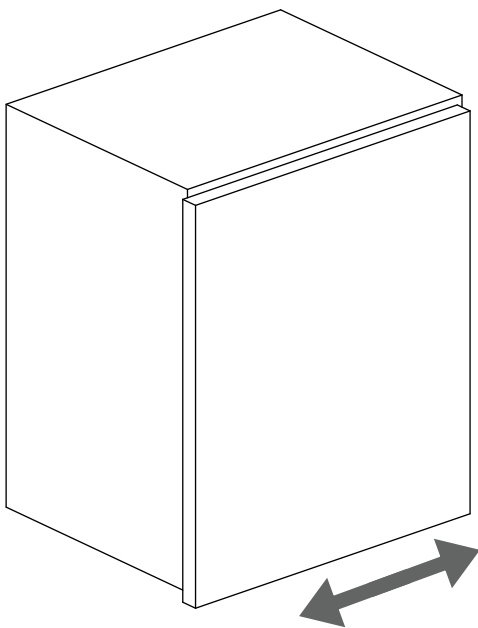
Tip: Hinges can be adjusted as needed, which can be adjusted as needed to ensure even clearance and smooth switching

### 1. Adjust up and down

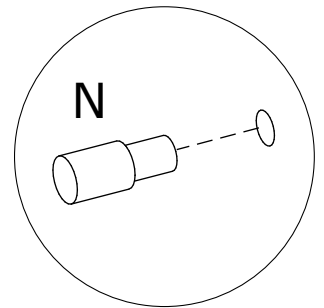
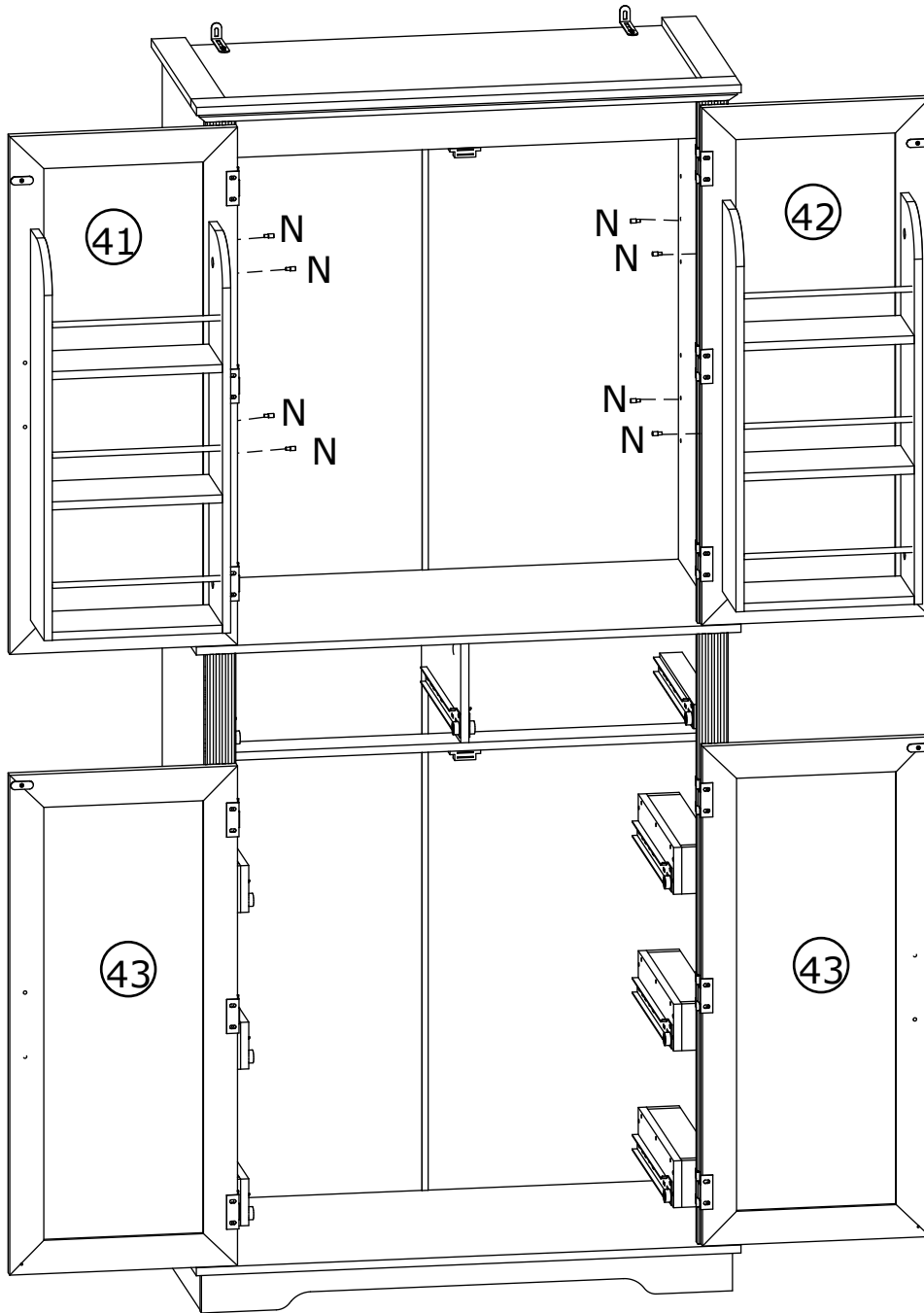


Loosen the nut, adjust the hinge to the appropriate height, and tighten the lock nut

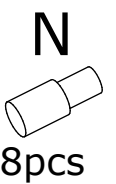
### 2. Left and right adjustment



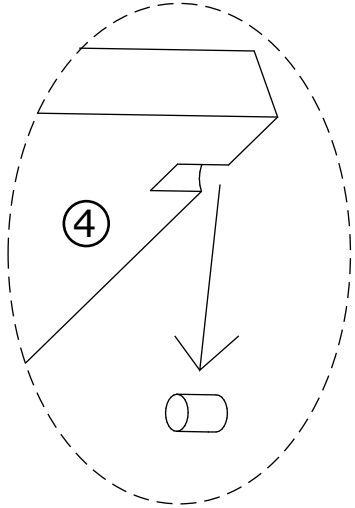
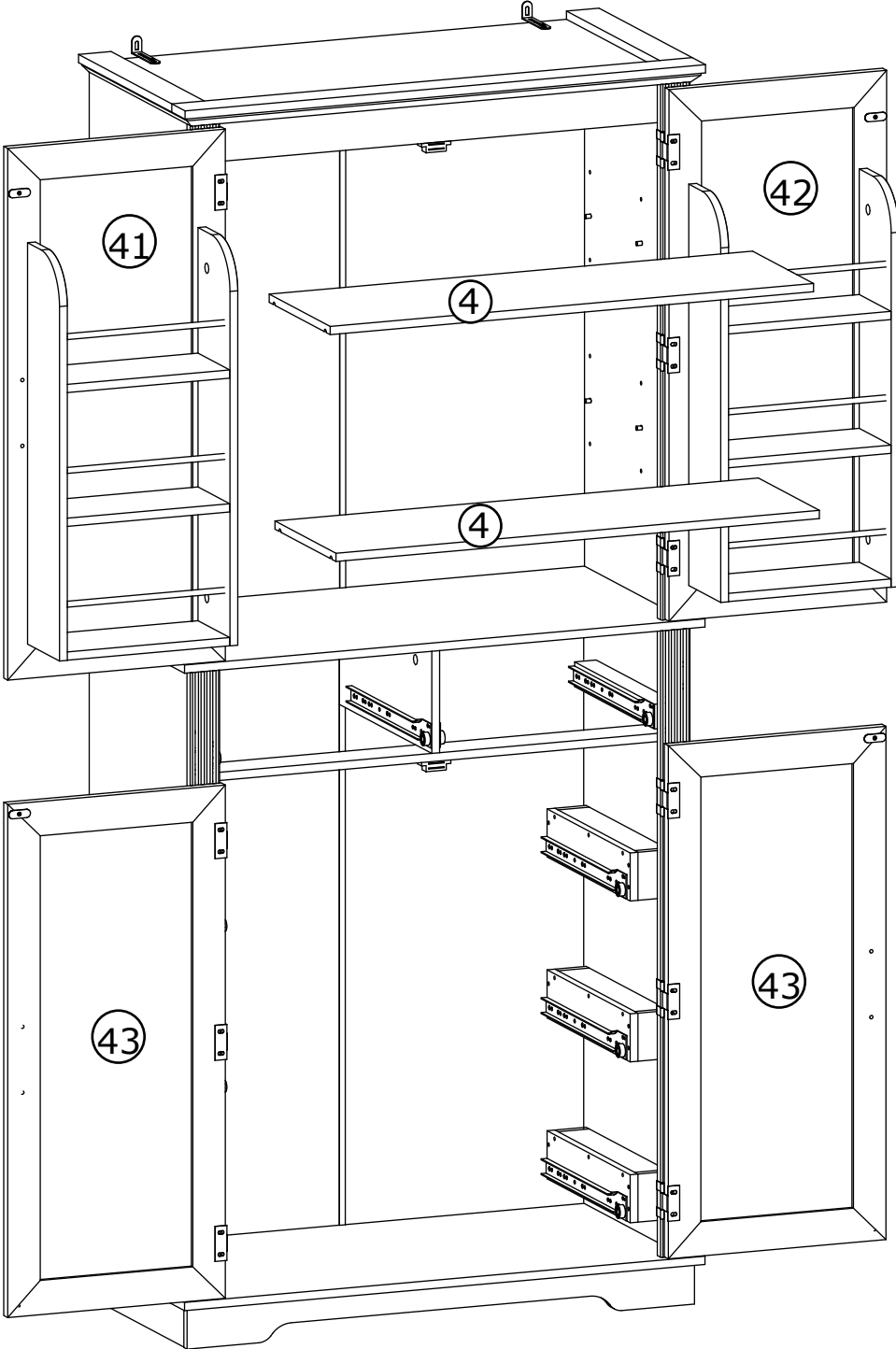
51.



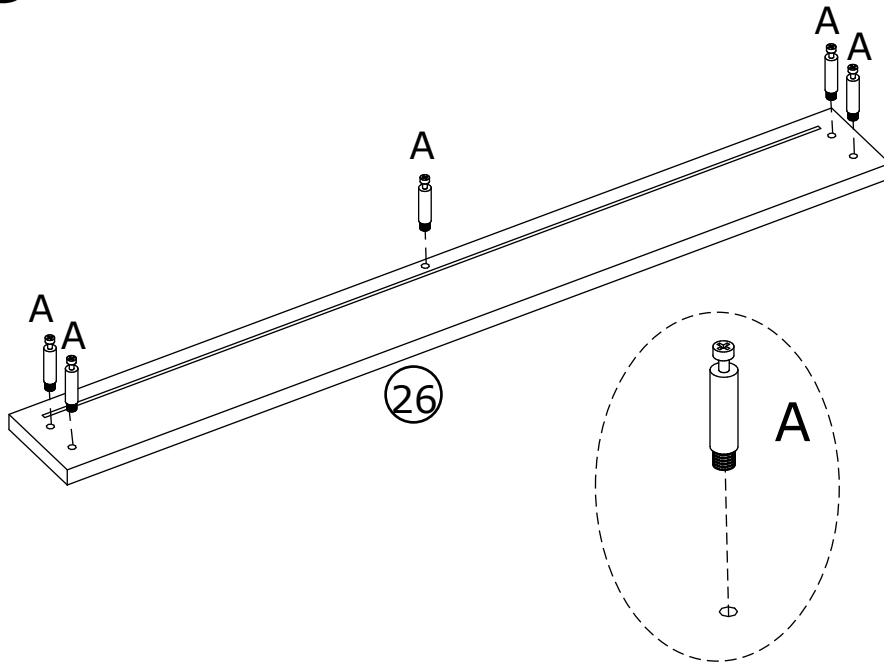
Tip: The nut position can be adjusted by itself according to the height



52.

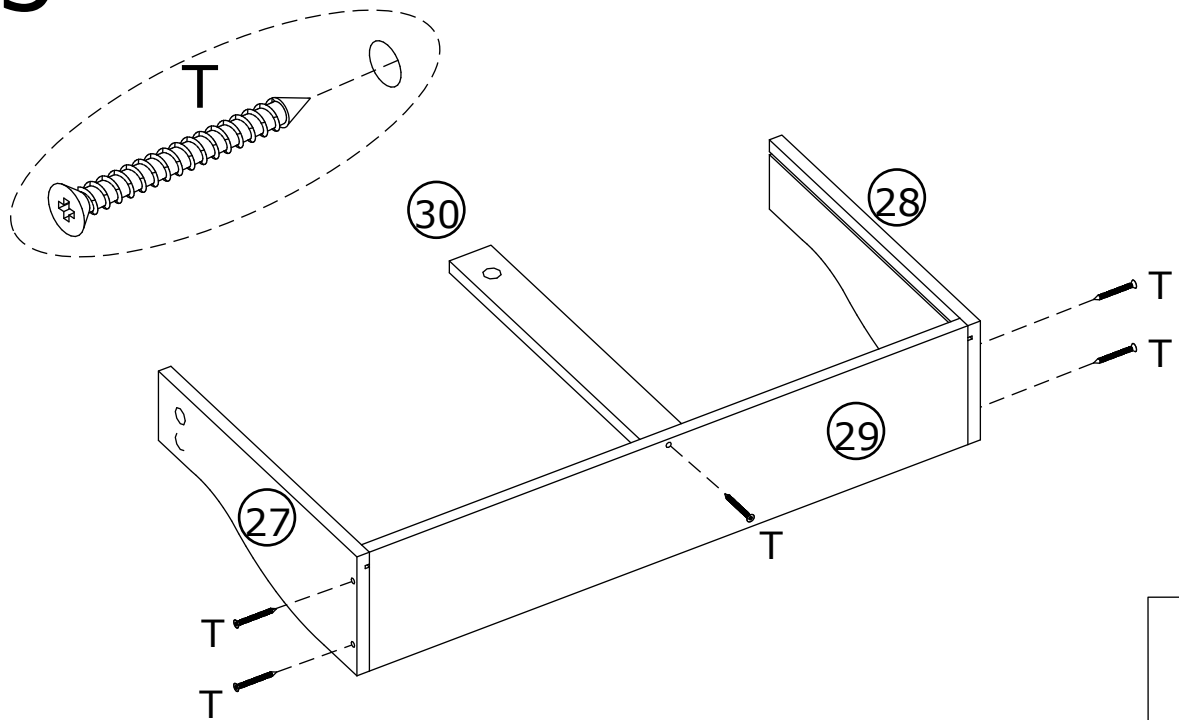


53.x3



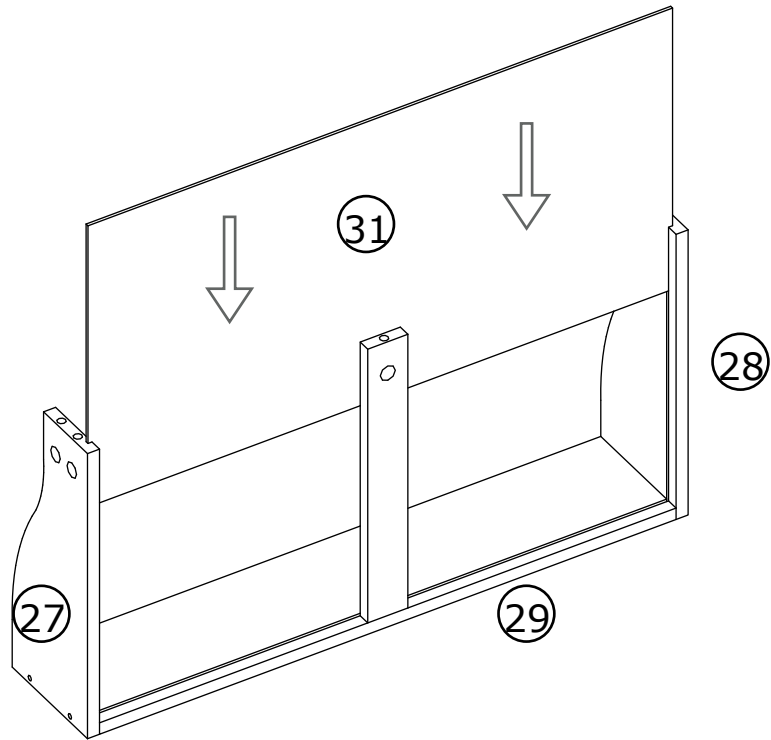
A  
15pcs

54.x3

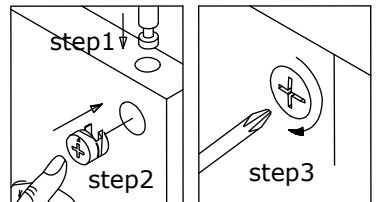
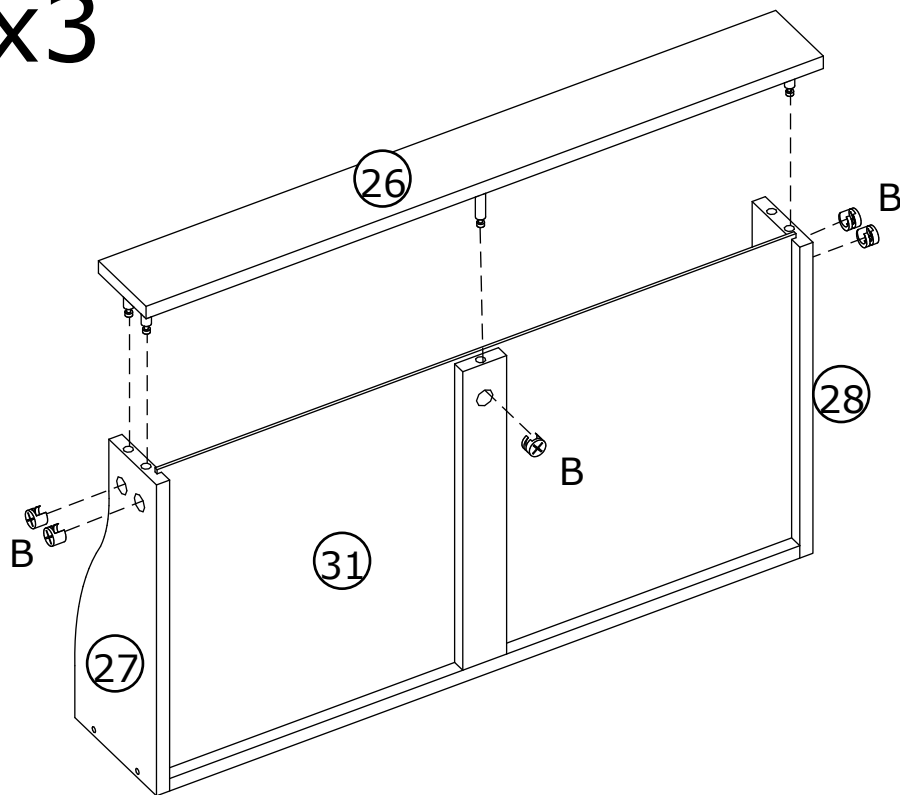



T  
15pcs

55.x3

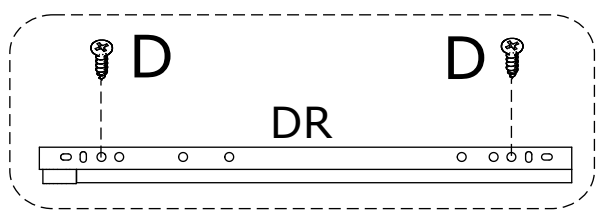
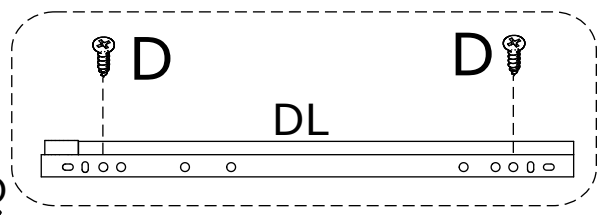
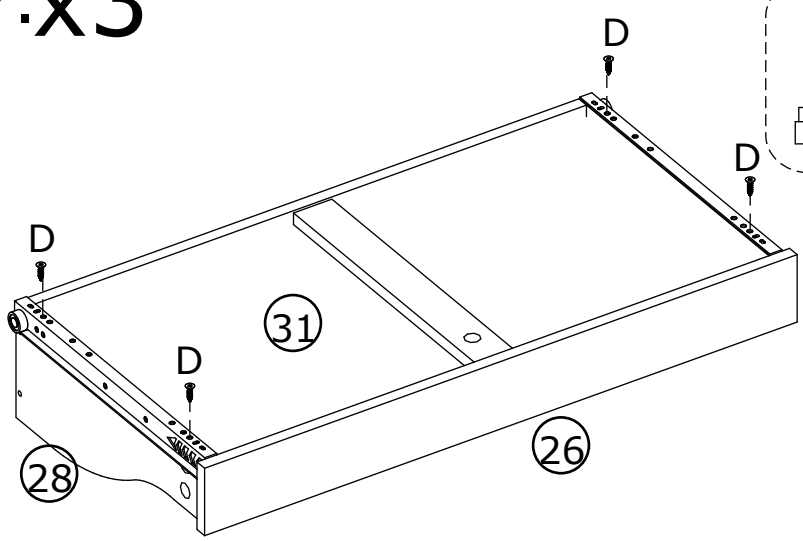





56.x3



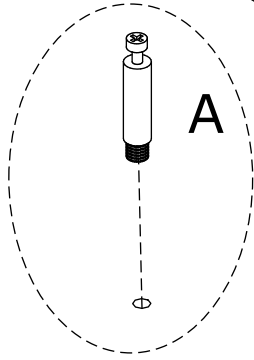
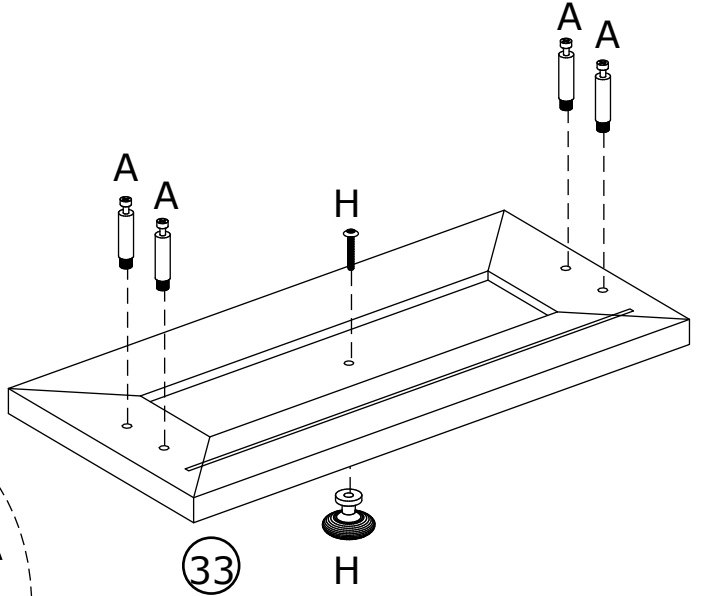
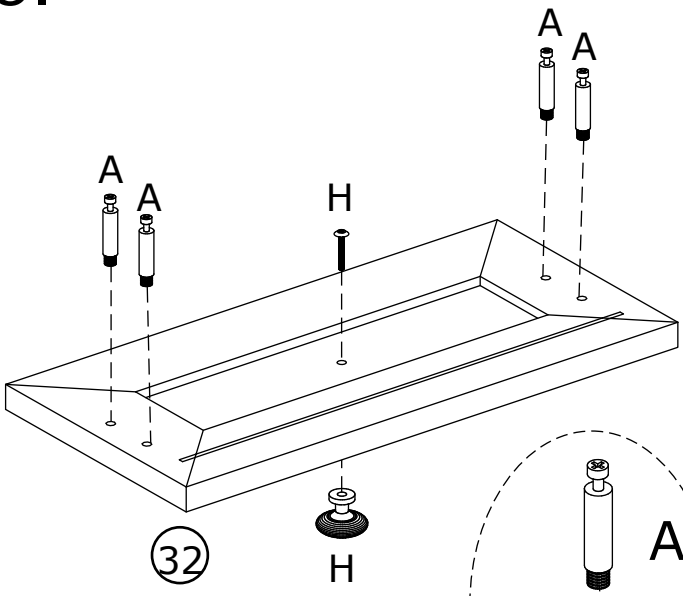
**B**  
  
15pcs


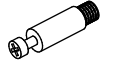
57.x3



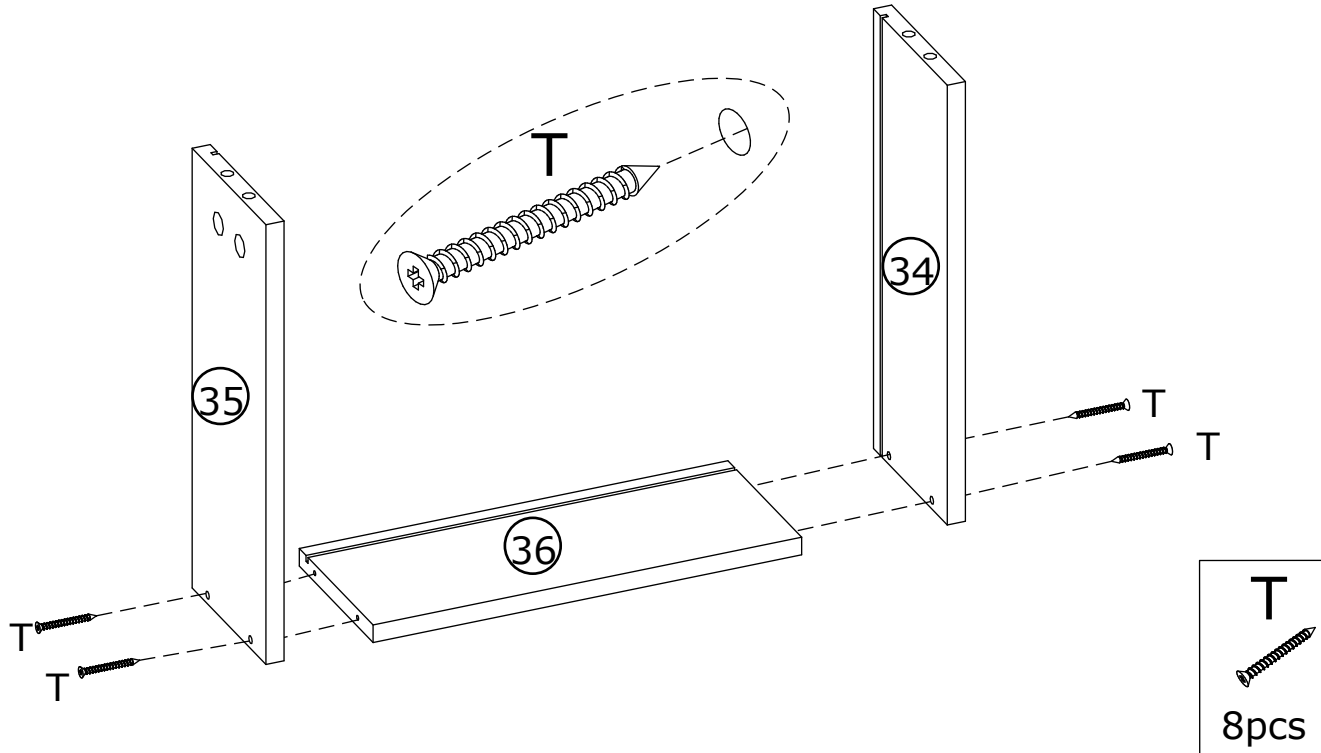
<b>D</b>  12pcs	<b>DL</b>  3pcs	<b>DR</b>  3pcs
--	---	---

58.

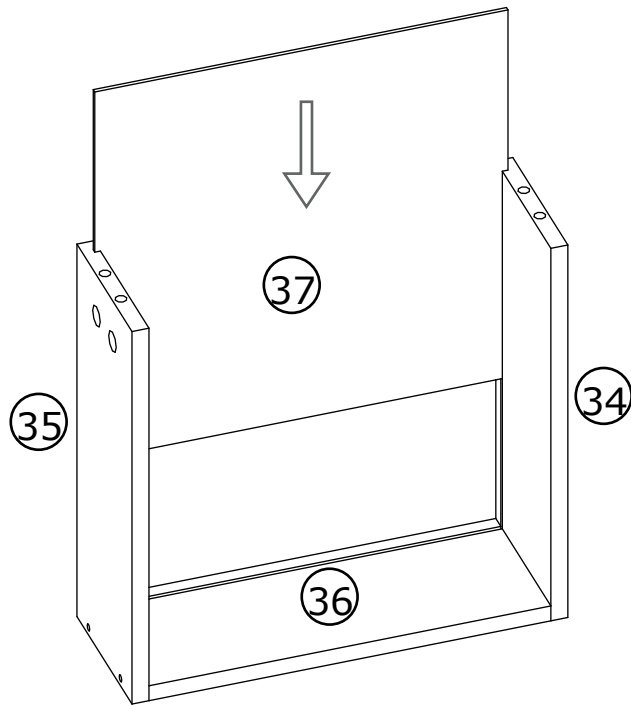


<b>H</b>  2pcs	<b>A</b>  8pcs
---	---

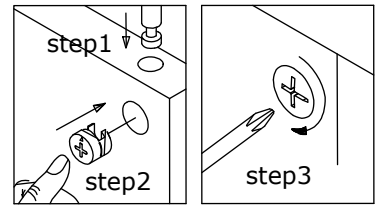
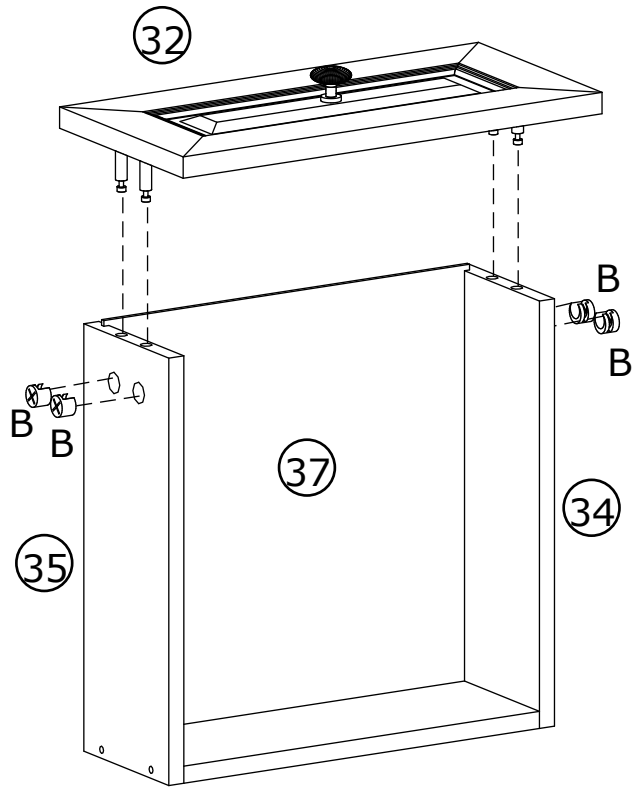
59.x2



60.x2

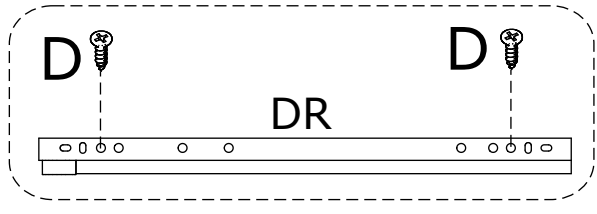
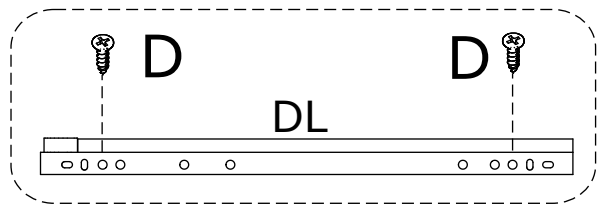
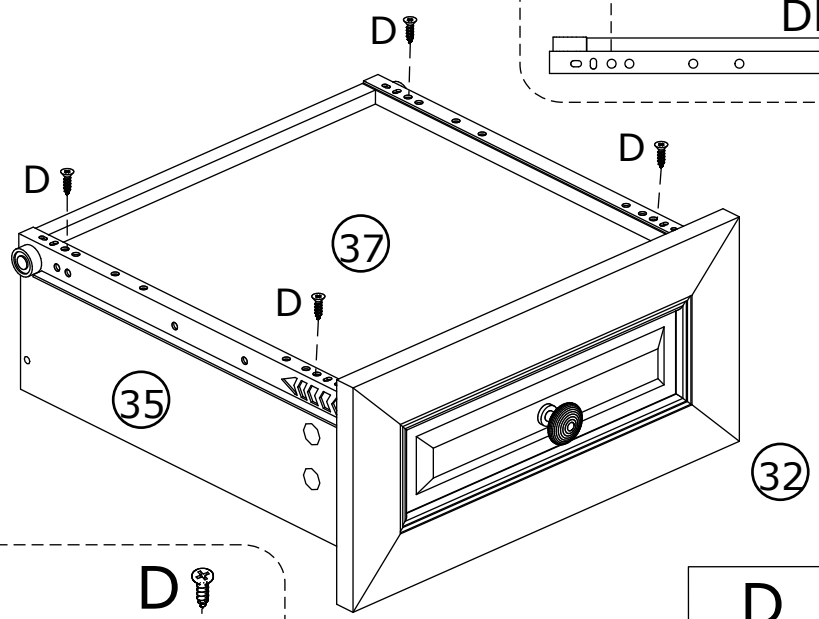


61.



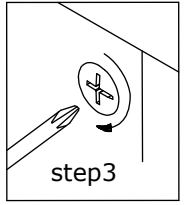
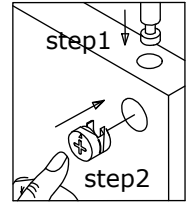
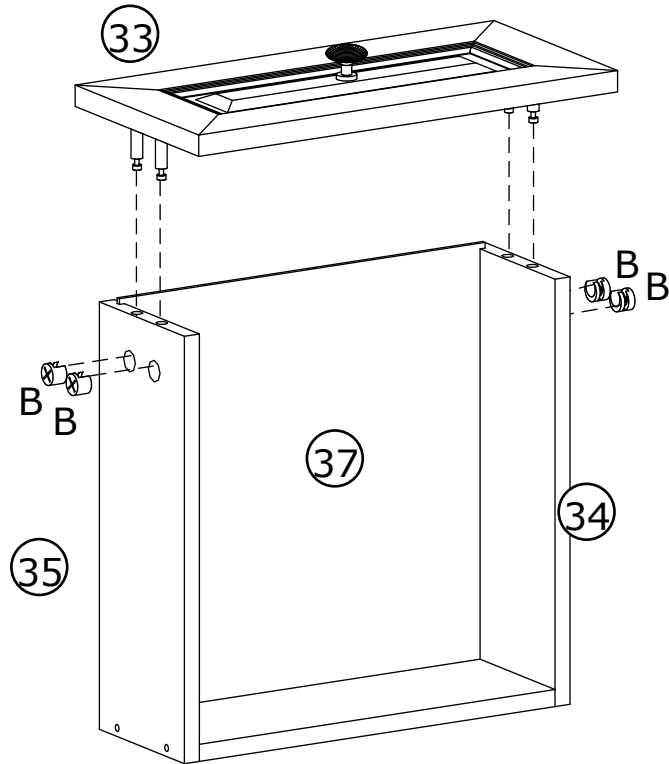
**B**  
  
4pcs


62.



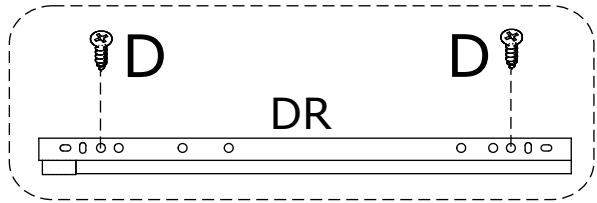
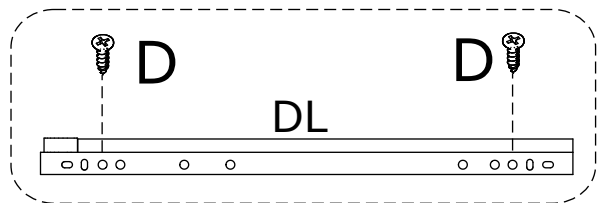
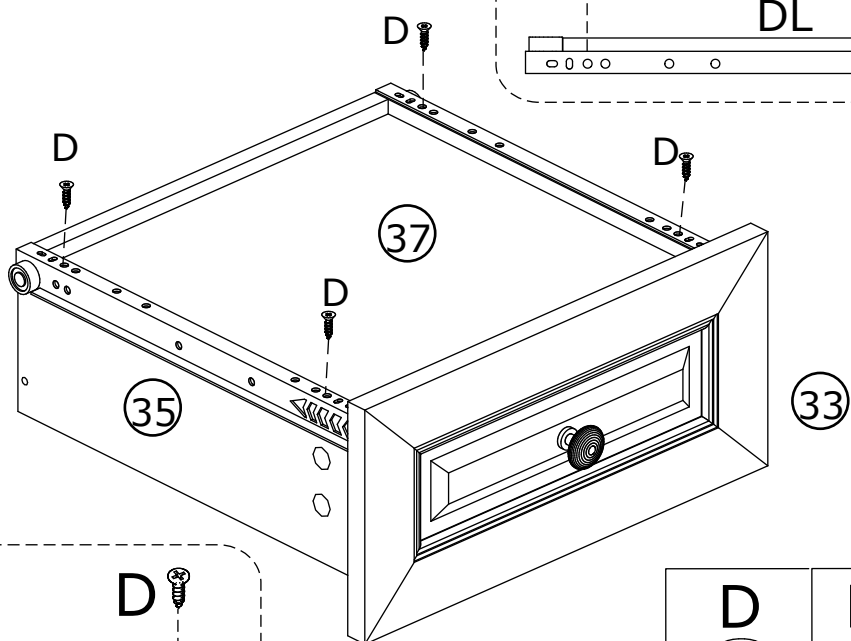
<b>D</b>  4pcs	<b>DL</b>  1pcs	<b>DR</b>  1pcs
----------------------	-----------------------	-----------------------




63.



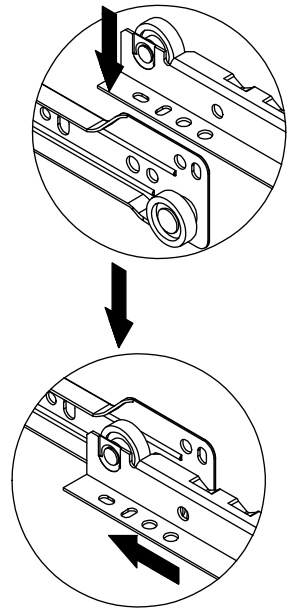
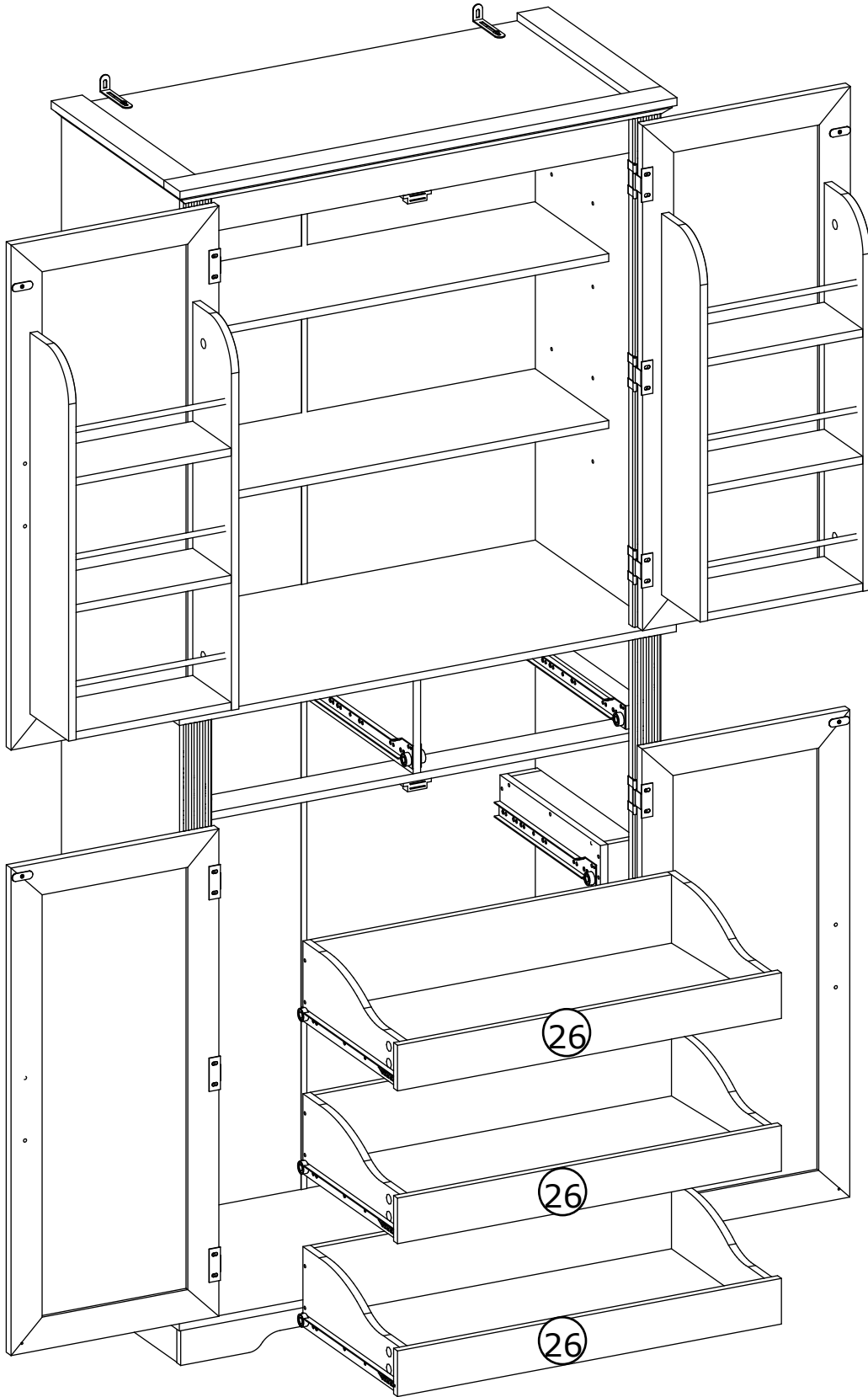
**B**  
  
4pcs

64.

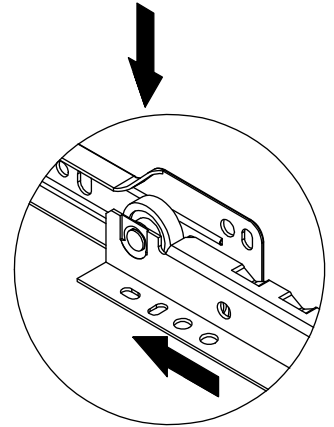
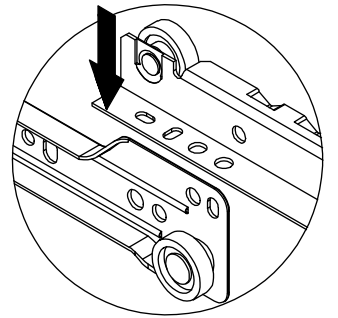
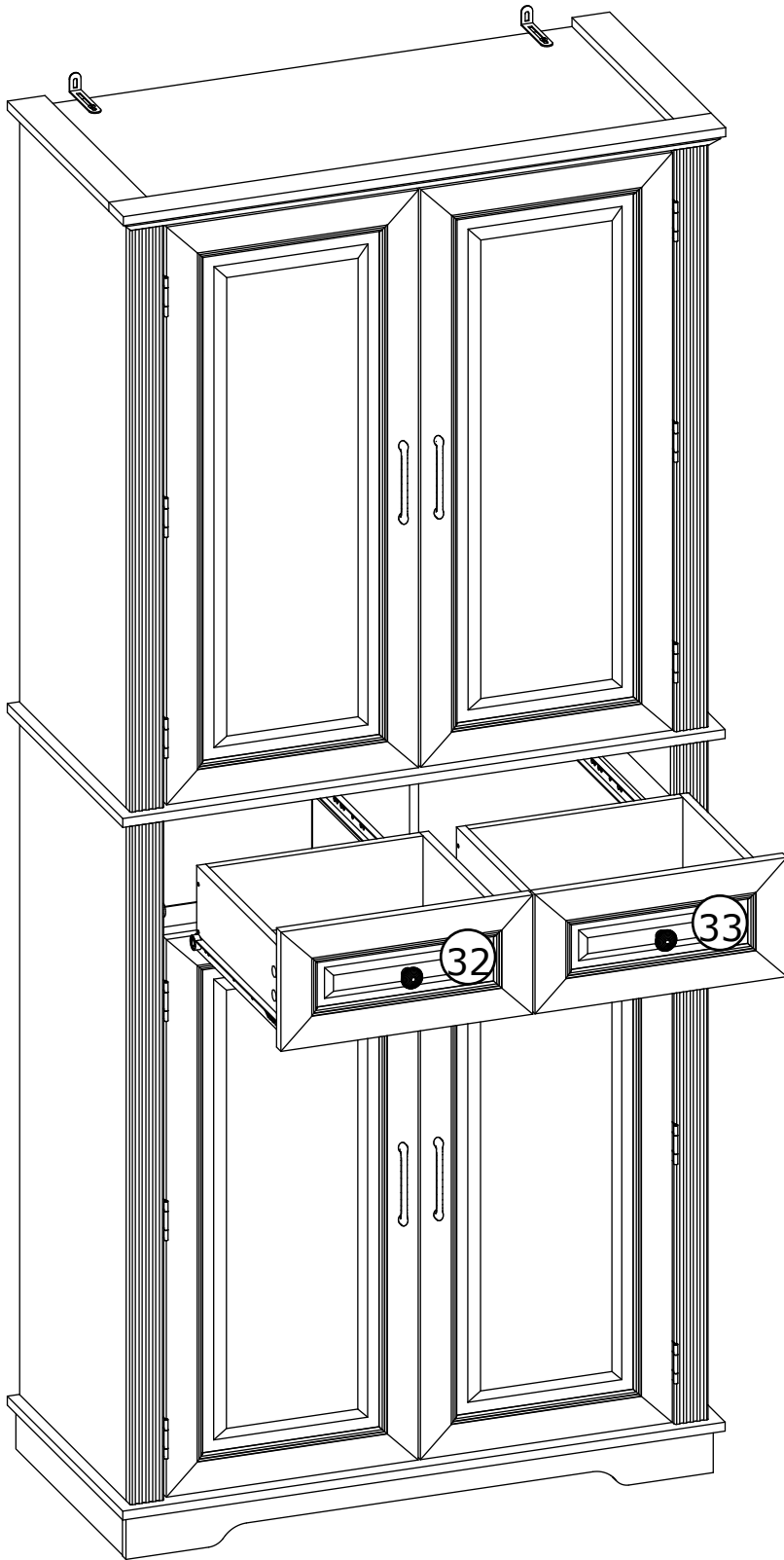


<b>D</b>  4pcs	<b>DL</b>  1pcs	<b>DR</b>  1pcs
---	--	--

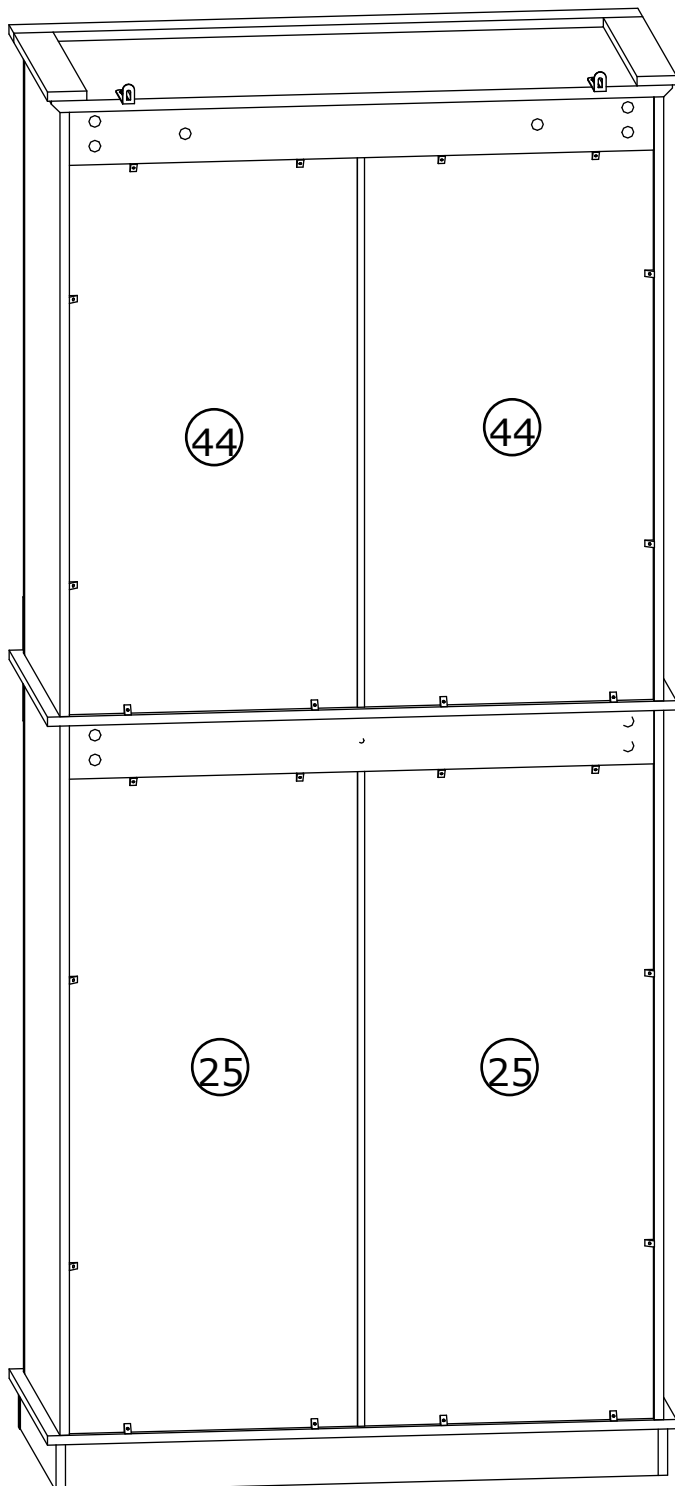
65.



66.

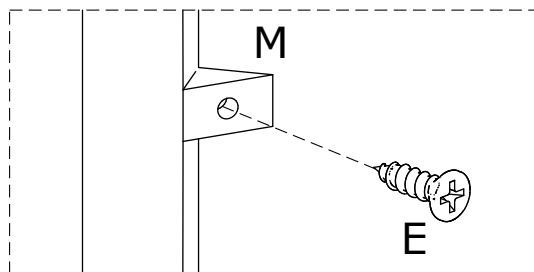




67.



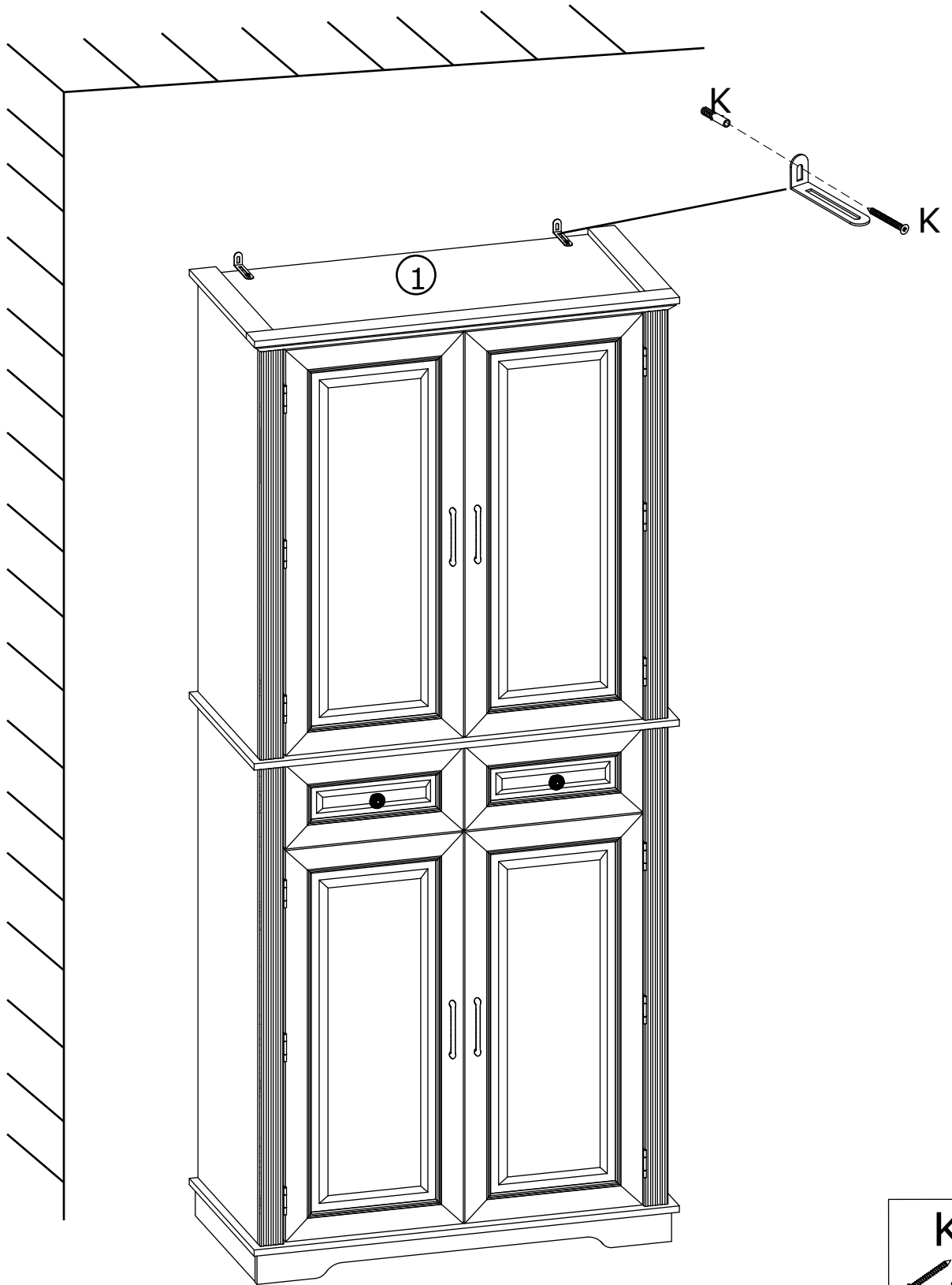
The Backboard Buckle M serves to assist in stabilizing the backboard structure. You can choose to install or not to install at will. This product can be used normally.


When you choose to install it, you can directly screw in the screw E at the gap of the backboard



<b>M</b>  24pcs	<b>E</b>  24pcs
--	--

68.



K  
  
2pcs