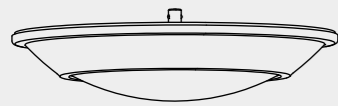


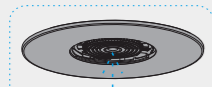
INSTALLATION MANUAL

20240705V1.0

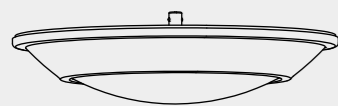


6 inch Downlight

#3215 6" Downlight with SkyOutlet
#3216 6" Downlight without SkyOutlet



#3216 SkyOutlet sold separately



SkyDownlight instantly installs into pre-installed outlet box and SkyOutlet

- Dimmable.
- Safe and easy to install.
- For indoor use, suitable for damp locations.

Scan to review installation video.



SKYX Platforms Corp.
11030 Jones Bridge Road,
Suite 206, Johns Creek, GA 30022.



IMPORTANT SAFETY INSTRUCTIONS

Please read and understand this entire manual before attempting to assemble, install or operate the product.

⚠ WARNING: RISK OF ELECTRIC SHOCK

- Disconnect power by turning off the circuit breaker or by removing the fuse at the fuse box. (All electrical steps should be performed by a qualified person or electrician.)

- Ensure wiring and outlet box are compliant with national and local electrical codes, including the NEC. SkyOutlet requires installation on the branch circuit solid 12 or 14 AWG wire.

- This light use a AC integrated LED light source, do not attempt to open the cover to touch inside components, if you have any problems or questions, please contact our customer service.

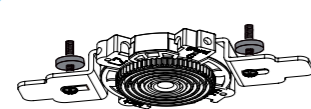
CUSTOMER SERVICE

1-855-759-7584 | 9am-5pm EST Mon-Fri
www.SKYPLUG.com | support@skyplug.com

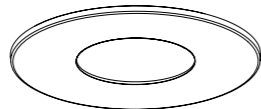
LIMITED PRODUCT WARRANTY

For warranty info, visit www.skyplug.com/warranty.

PARTS FOR #3215



A SkyOutlet x1 with 2 rubber washers and 2 mounting screws



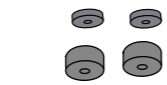
B Cover Plate x1



C Cap x1 Use when cleaning & painting or when fixture is not in use



D Jumper Lead x2 Optional



E 4mm Washer x2
7mm Washer x2

INSTALL SKYOUTLET

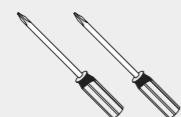
IMPORTANT:

Disconnect power by turning off the circuit breaker or by removing the fuse at the box. All electrical steps should be performed by a qualified person or electrician.

Scan QR code below for reviewing SkyOutlet installation video.



TOOLS NEEDED: (NOT PROVIDED)



Ph #1&2



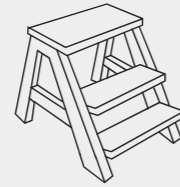
Wire Stripper



Pliers



Safety Glasses



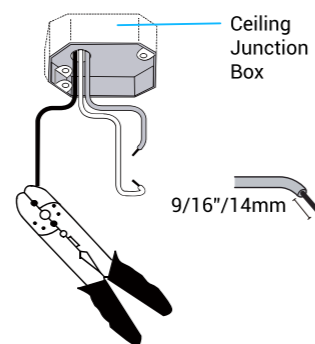
Step Ladder



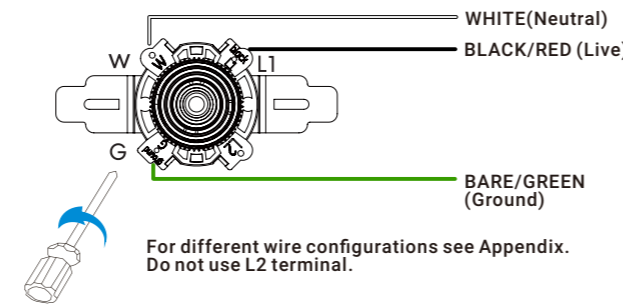
Soft Cloth

1. Wire SkyOutlet to ceiling junction box.

A Strip wire to 9/16"/14mm.

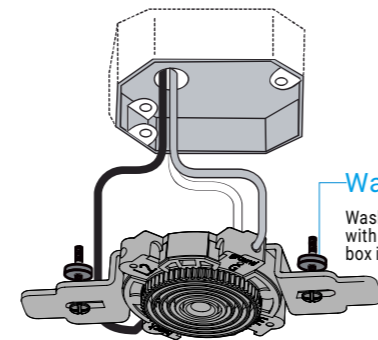


B Loosen terminal screws to insert branch circuit wires into the corresponding terminals. Tighten to secure wires. Check to make sure wires are securely inserted into terminals. Set screw torque value at 6.3 lb/in.



For different wire configurations see Appendix. Do not use L2 terminal.

2. Secure SkyOutlet to junction box using 2 screws and washers (included) For different wire configurations see Appendix..



SkyOutlet

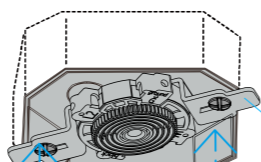
Washer

Washers will align the SkyOutlet with ceiling surface if the outlet box is recessed.

IMPORTANT:

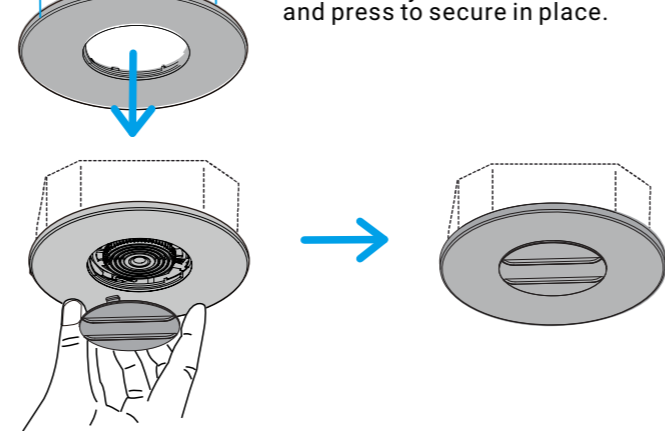
If your box is flush with ceiling or recessed less than 1.5 mm (0.06"), use 4 mm washer. If recessed between 1.5 mm (0.06") and 3 mm (0.12"), use larger 7 mm rubber washer. If recessed more, use combination of both washers.

3. Secure cover plate as shown when not in use.



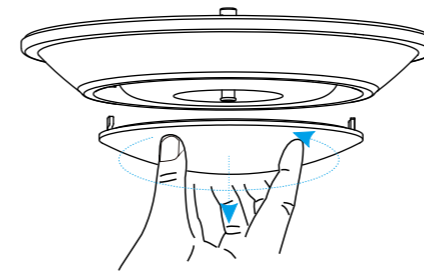
SkyOutlet Tab

Align tabs on the cover plate with the SkyOutlet bracket and press to secure in place.

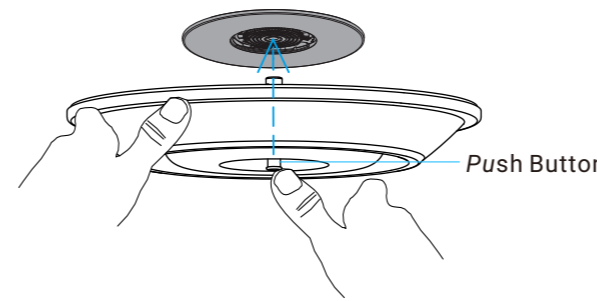


INSTALL DOWNLIGHT

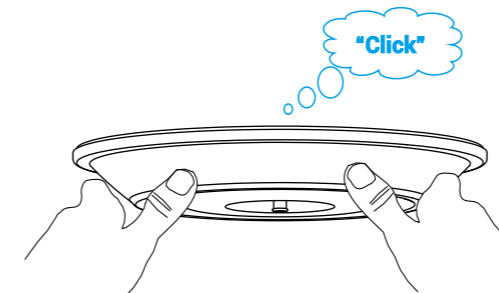
1. Remove shade by turning counter-clockwise.



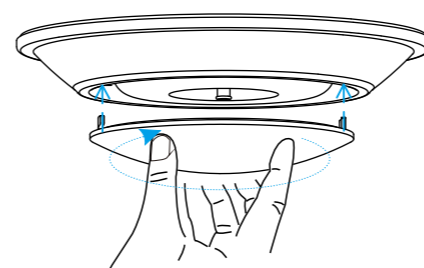
2. Plug fixture into SkyOutlet (sold separately) by aligning Push Button with center of SkyOutlet. Press Push Button and insert.



3. Once inserted, let go of the push button and push up until you hear the "click" sound.

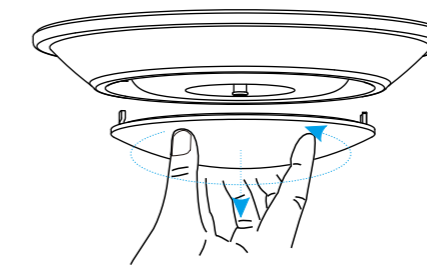


4. Connect shade to fixture. Align tabs with the two holes and insert. Turn shade clockwise to secure.

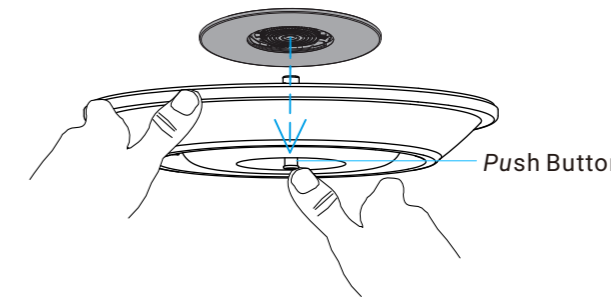


REMOVE DOWNLIGHT

1. Remove shade by turning counter-clockwise.



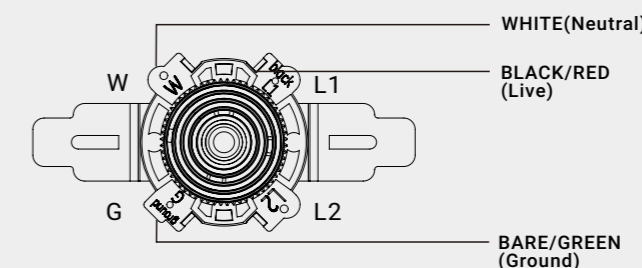
2. While supporting fixture, press Push Button and disengage Downlight from SkyOutlet.



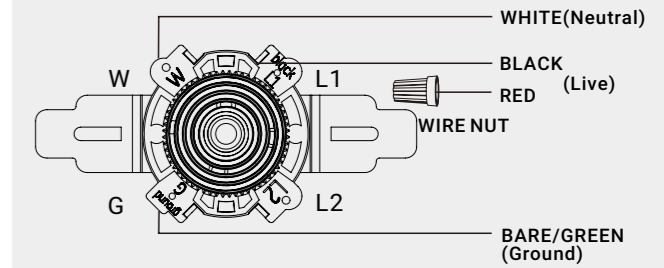
APPENDIX Additional Wiring Diagram

IMPORTANT: If you have multiple wires inside your outlet box, you will need to determine which lead is the live or switched lead and insert this lead into L1. If you are not sure how your house is wired, contact 1-866-885-4649 for questions or contact an electrician. When multiple wires are connected together use a solid wire 12 or 14 AWG JUMPER LEAD (included) to insert into the receptacle terminal. **Do not use L2.**

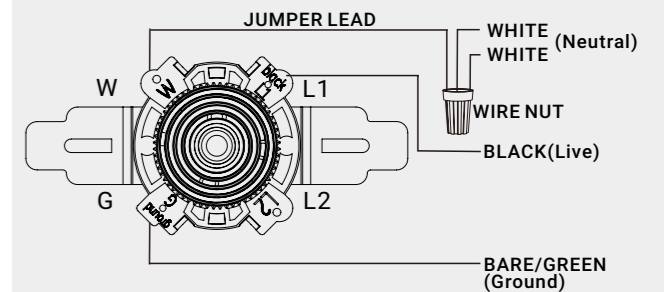
WIRING DIAGRAM #1:



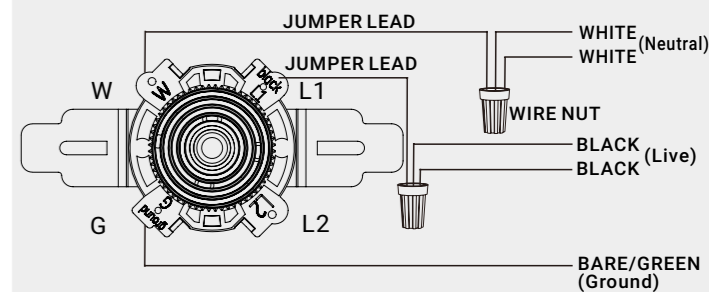
WIRING DIAGRAM #2:



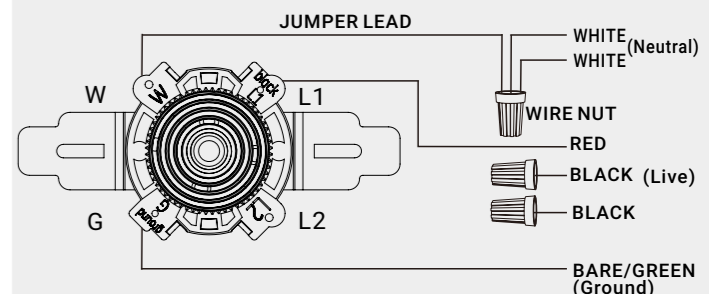
WIRING DIAGRAM #3:



WIRING DIAGRAM #4:



WIRING DIAGRAM #5:



NOTE: If you have multiple wires connected together, add the included JUMPER LEAD and insert jumper lead into terminal. Only one single wire can be inserted into terminal (See diagram 3-5).