

# *ASSEMBLY INSTRUCTIONS*



***MEDIA TOWER***

# ASSEMBLY INSTRUCTIONS

## ASSEMBLY TIPS:

1. Remove hardware from box and sort by size.
2. Please check to see that all hardware and parts are present prior to start of assembly.
3. Please follow attached instructions in the same sequence as numbered to assure fast & easy assembly.



### WARNING!

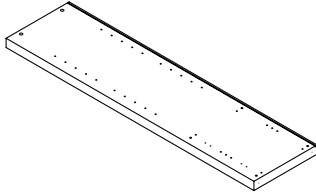
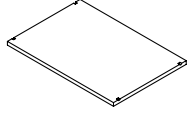
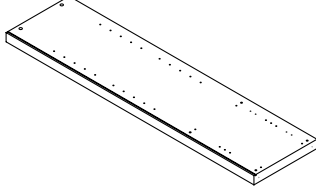
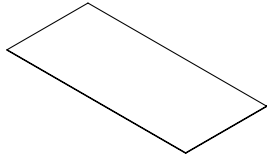
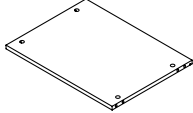
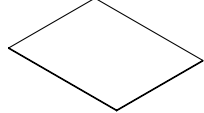
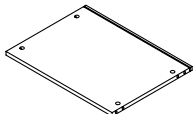
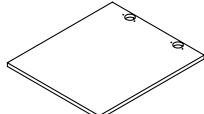
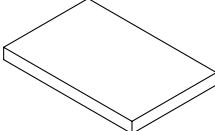
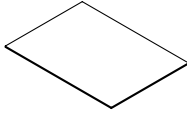
1. Don't attempt to repair or modify parts that are broken or defective. Please contact the store immediately.
2. This product is for home use only and not intended for commercial establishments.



ASSEMBLY TIME

50 MINUTES

## PARTS IDENTIFICATION

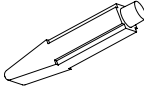
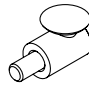
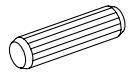
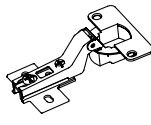
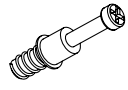


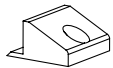


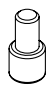
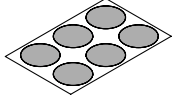
A	LEFT SIDE PANEL		1 PC	F	ADJUSTABLE SHELF		1 PC
B	RIGHT SIDE PANEL		1 PC	G	UPPER BACK PANEL		1 PC
C	BOTTOM PANEL		1 PC	H	LOWER BACK PANEL		1 PC
D	CROSS PANEL		1 PC	I	DOOR		1 PC
E	TOP PANEL		1 PC	J	GLASS		2 PCS

### NOTE:

Phillips head screw driver is required in the assembly process; however, manufacturer does not provide this item.

## HARDWARE IDENTIFICATION

**Z**

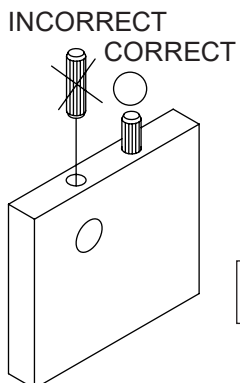
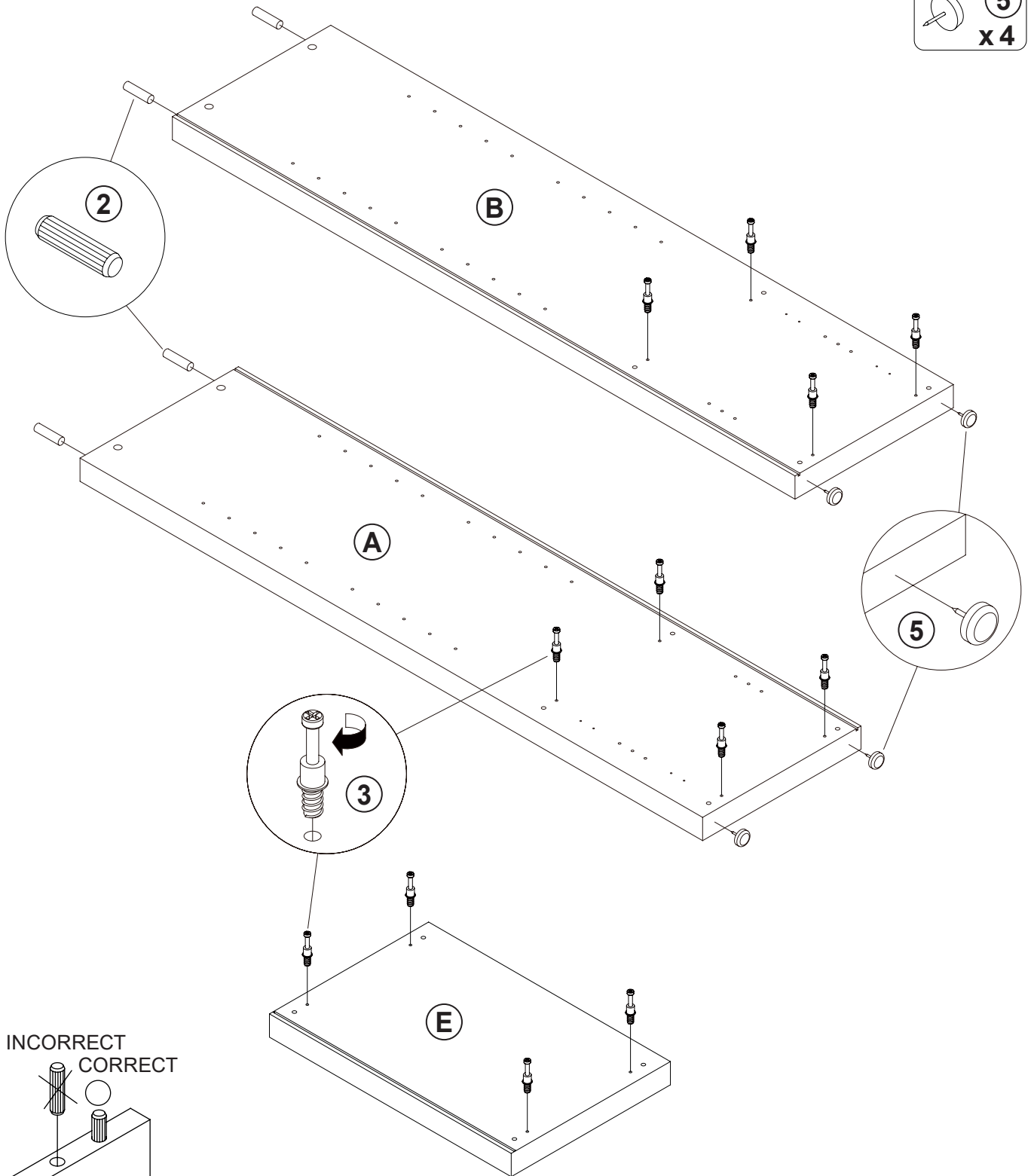
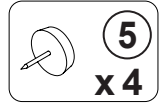
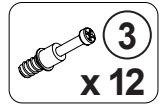
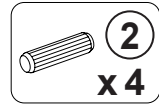
NO	DESCRIPTION	FIGURE	Q'TY	NO	DESCRIPTION	FIGURE	Q'TY
1	GLUE 15g		1 PC	7	GLASS PIN Ø5x23mm SR		8 PCS
2	WOODEN DOWEL Ø8x30mm		12 PCS	8	HINGE Ø35mm SR		2 PCS
3	CAM BOLT Ø7x35.5mm SR		12 PCS	9	HINGE SCREW Ø4x15mm SR		8 PCS
4	CAM LOCK Ø15x12mm SR		12 PCS	10	FIXER		3 PCS
5	PLASTIC FEET Ø15mm		4 PCS	11	FIXER SCREW Ø3x19mm SR		3 PCS
6	PIN FOR ADJUSTABLE SHELF Ø4.9x15mm SR		4 PCS	12	STICKER Ø20mm		2 PCS

**Z8 not included in blister packaging.**

**NOTE:**

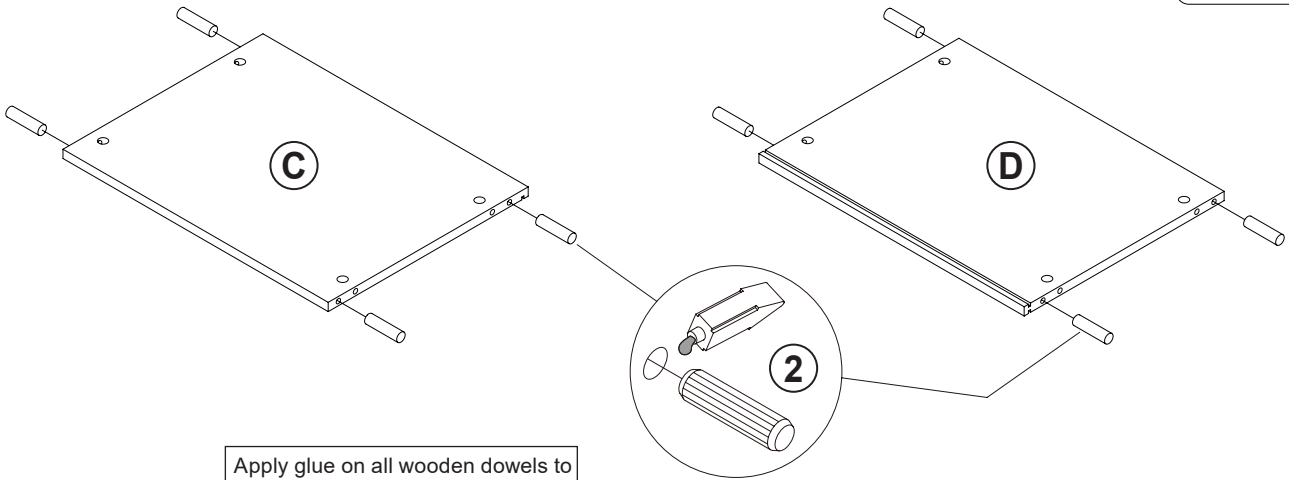
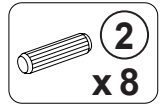
Phillips head screw driver is required in the assembly process; however, manufacturer does not provide this item.

# STEP 1



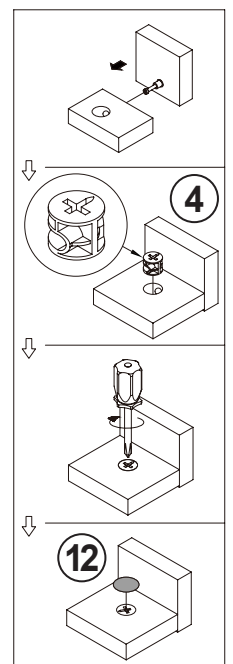
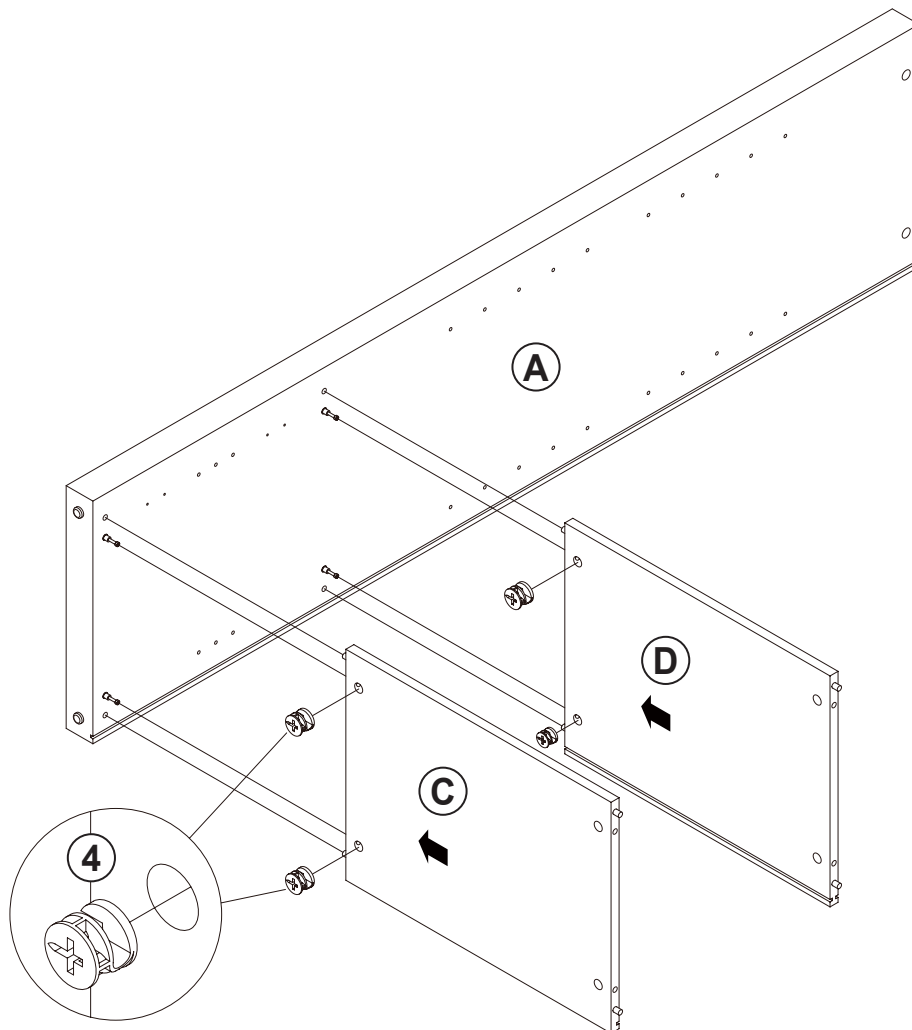
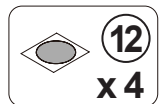
Apply glue on all wooden dowels to ensure integrity of the structure.

## STEP 2

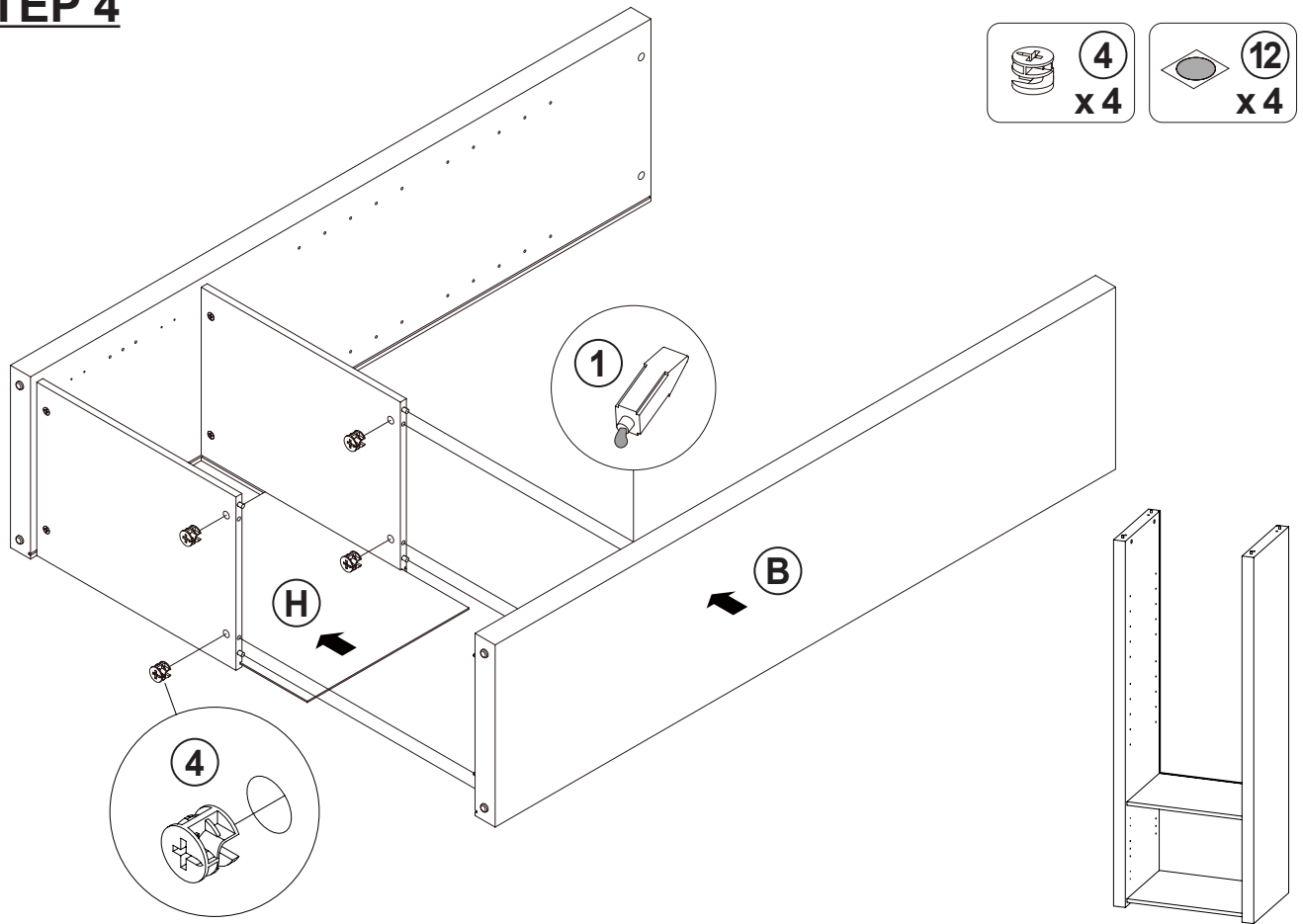


Apply glue on all wooden dowels to ensure integrity of the structure.

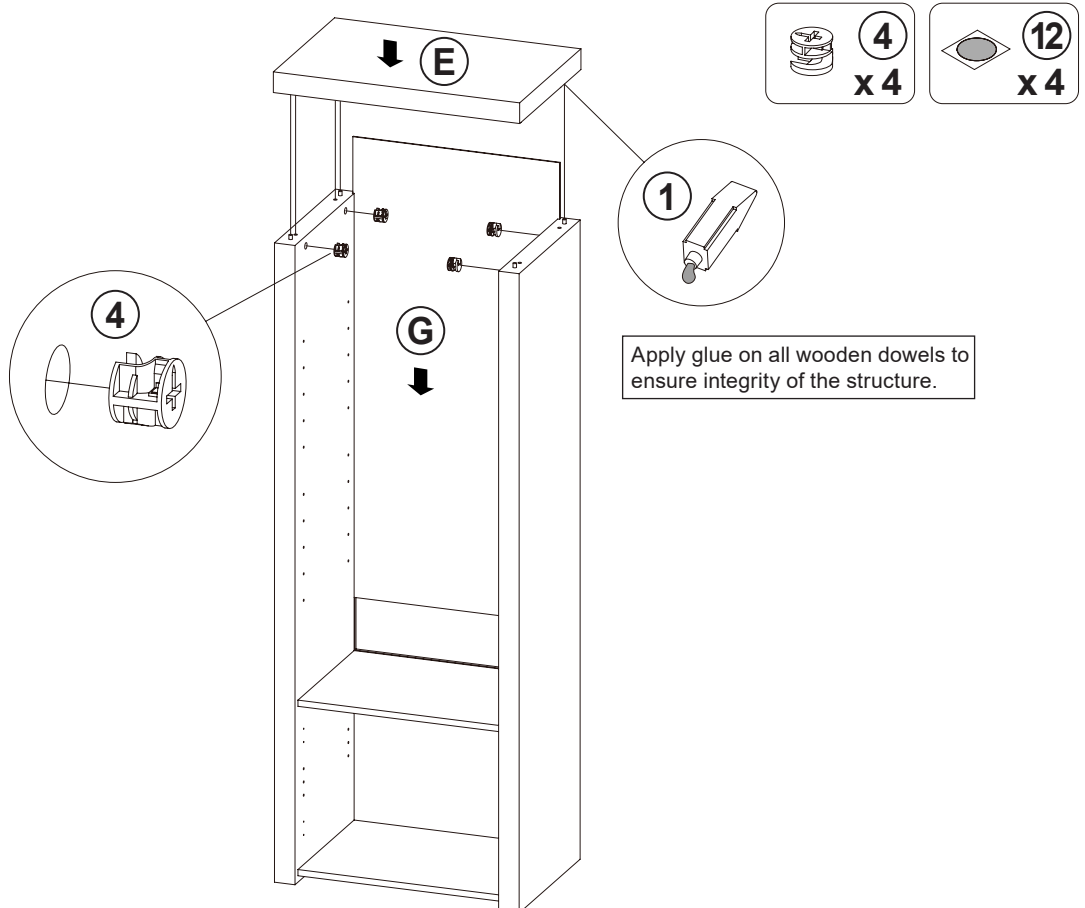
## STEP 3



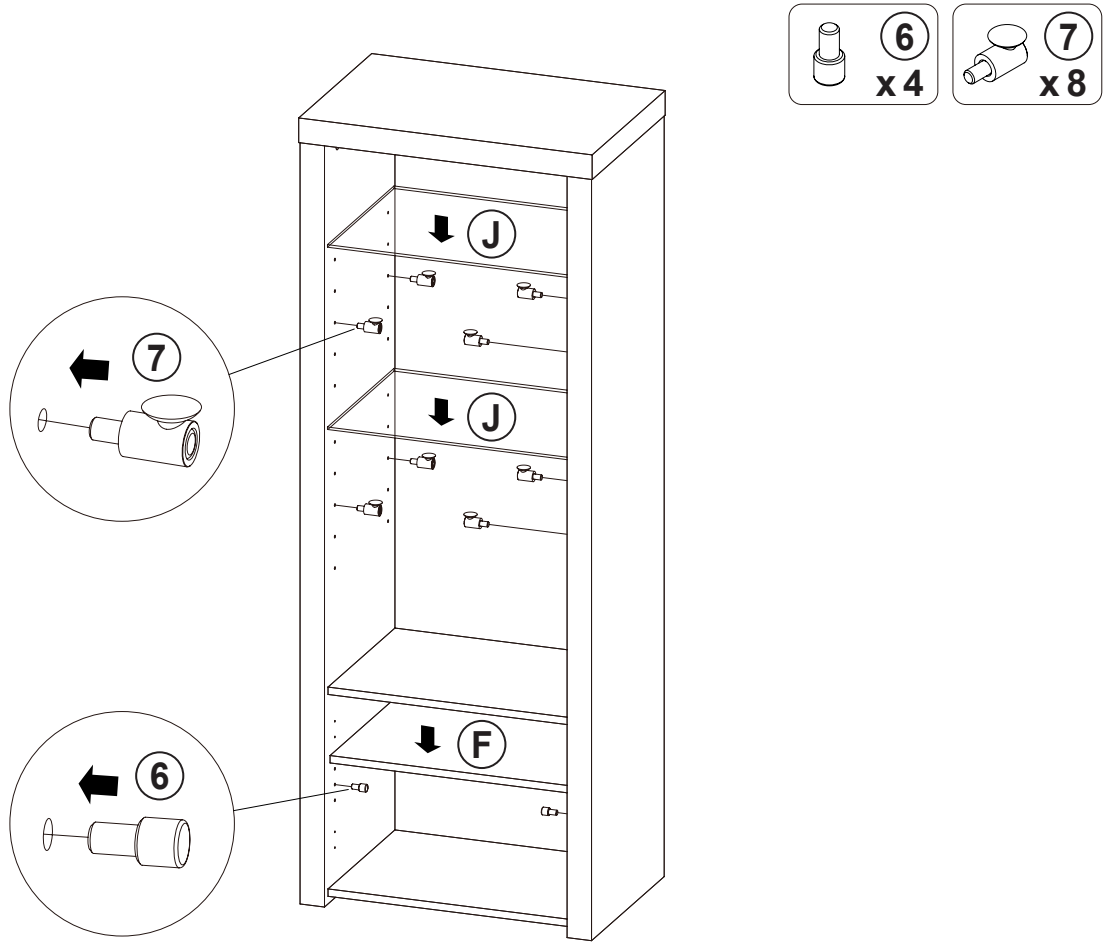
## STEP 4



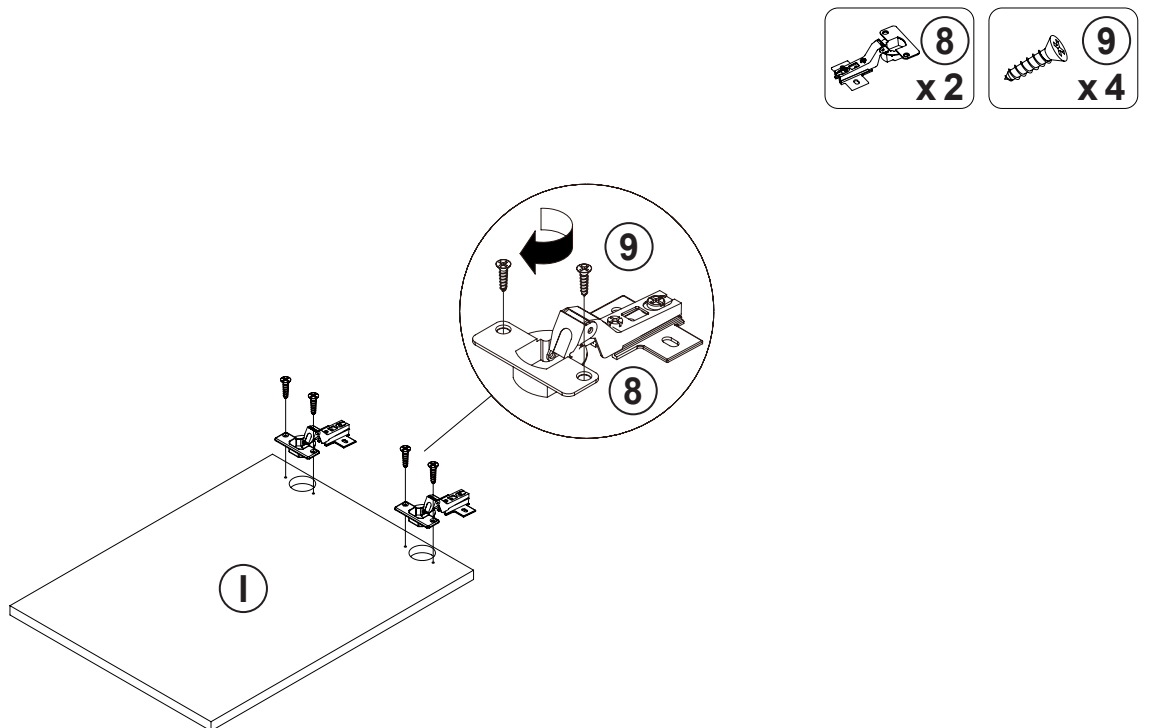
## STEP 5



## STEP 6

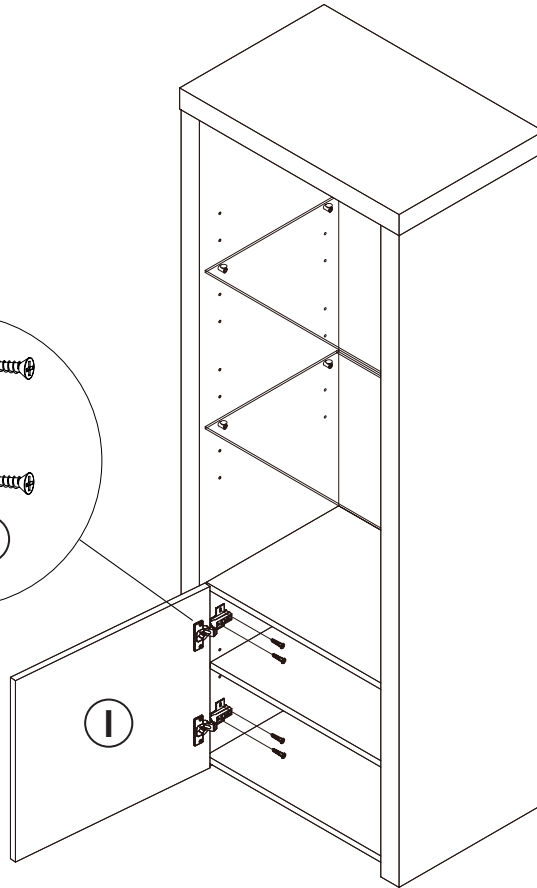
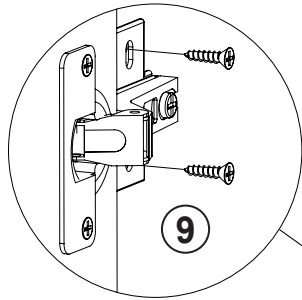
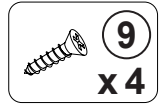


## STEP 7

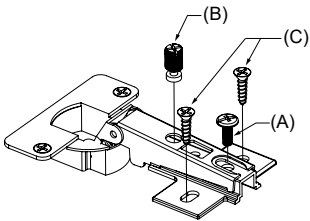


# STEP 8

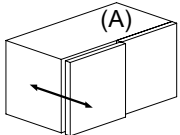
## LEFT



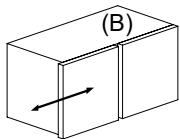
## RIGHT



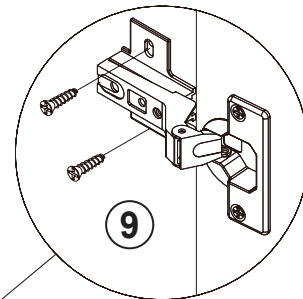
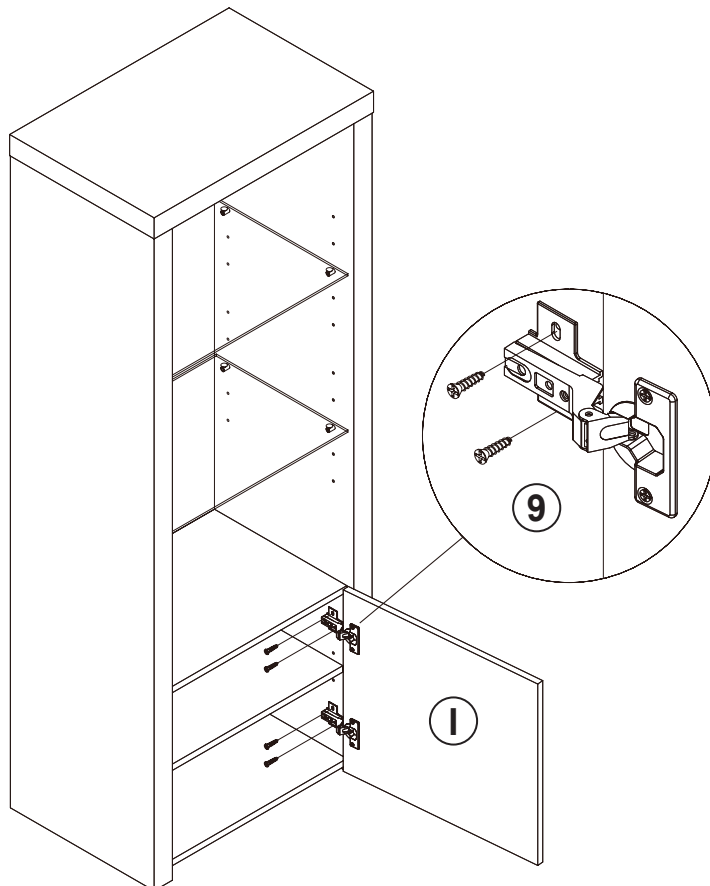
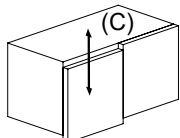
HORIZONTAL BY  
SCREW A ADJUSTMENT



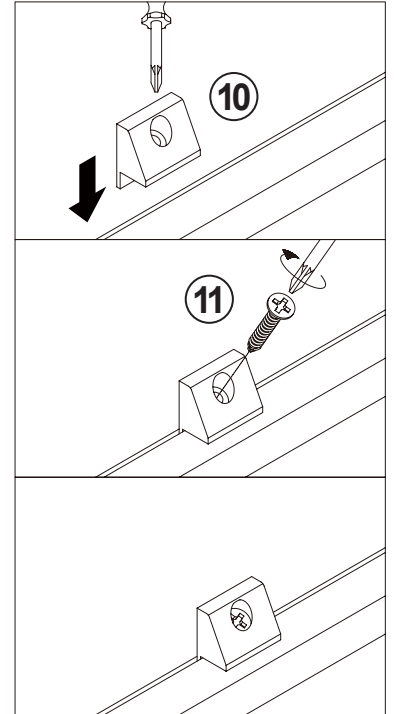
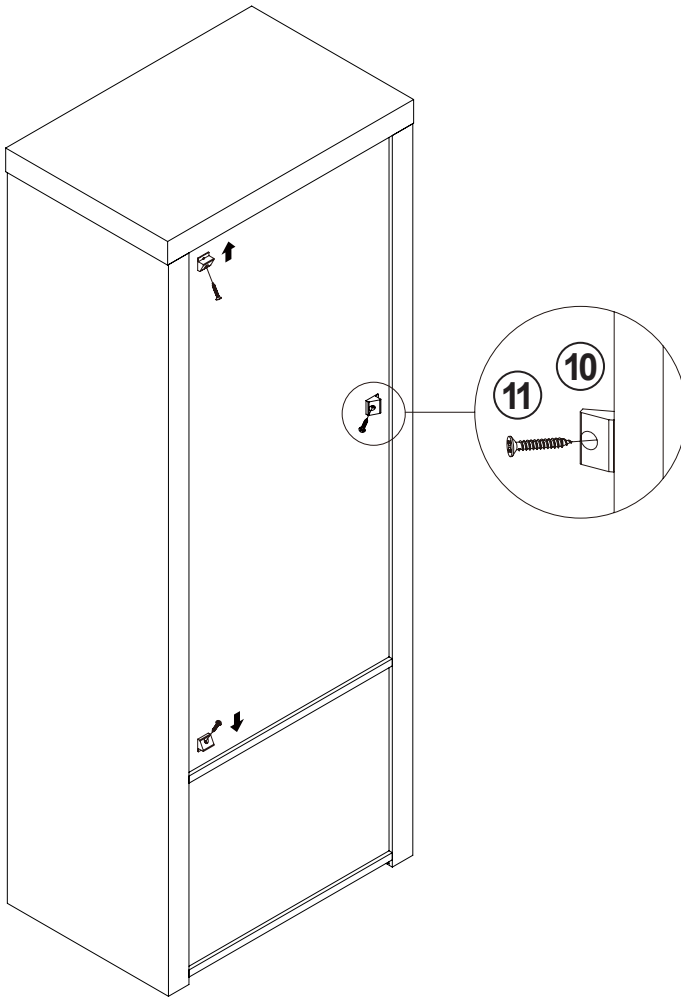
LATERAL BY  
SCREW B ADJUSTMENT



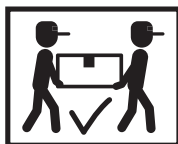
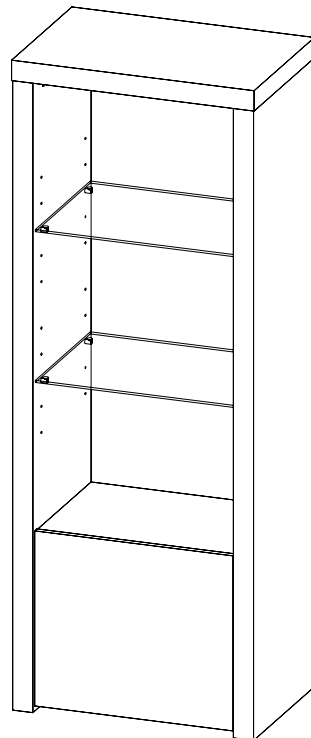
VERTICAL BY  
SCREW C ADJUSTMENT

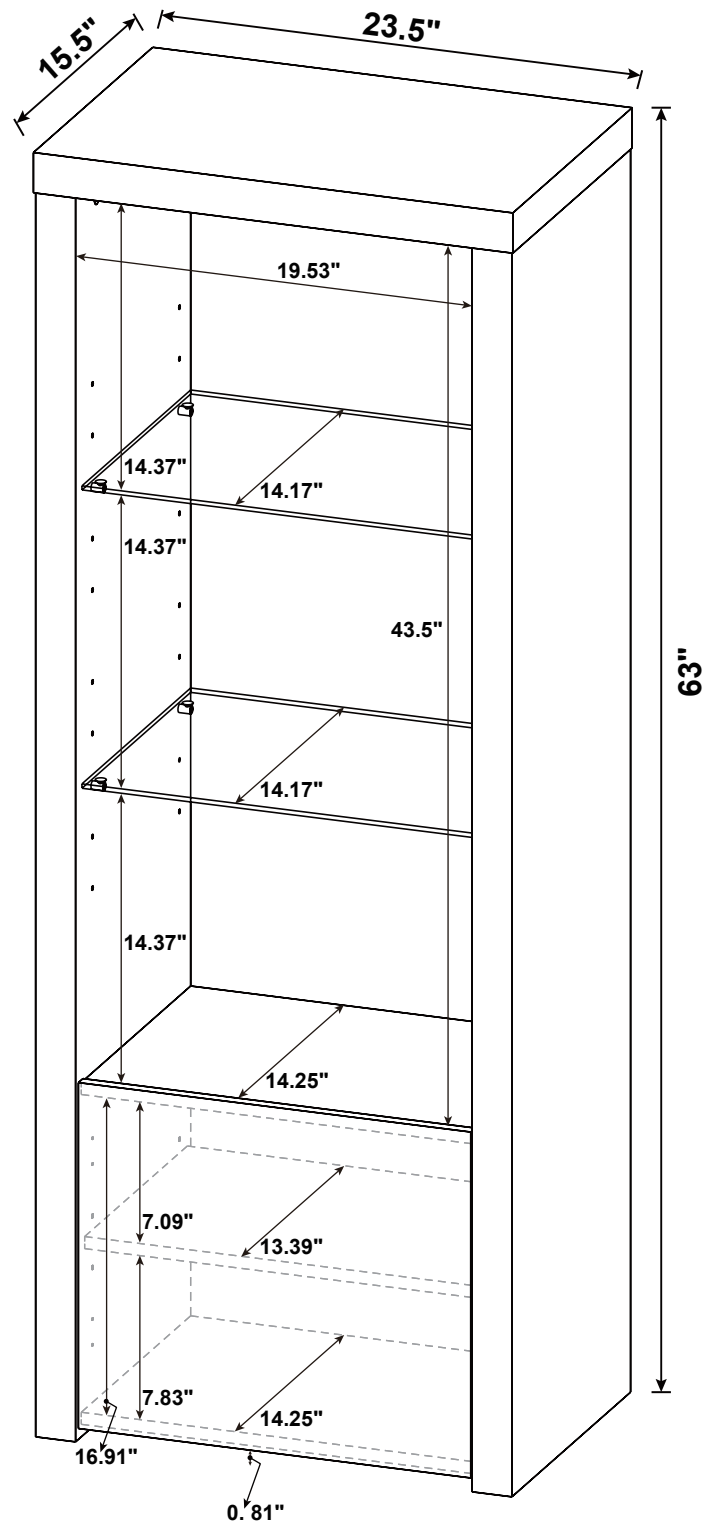


## STEP 9



## STEP 10 COMPLETE





**Note :** Dimension tolerance  $\pm 5\%$

# ANTI-TIPPING INSTALLMENT INSTRUCTIONS

## FURNITURE TIPPING RESTRAINT

### WARNING

Injury may result from tipping furniture.  
This restraint may protect against tipping furniture.  
Do not allow children to climb on furniture.  
This restraint is not a substitute for proper adult supervision.  
Failure to detach this restraint before moving the furniture  
may result in injury and damage.

1. To attach the anti-tip strap, securely mount one end to the top of the case piece with the 5/8" screw.
2. Position the case piece against the wall in the desired location.
3. Pull the anti-tip strap taut and mark the position of where you will secure the other end on the wall.
4. Drill a 1-1/4" hole in the spot you marked.
5. Tap in plastic wall plug.
6. Fasten anti-tip strap with wall screw provided.

**(Please install the anti-tipping kit in the middle of the case piece if only have one set of anti-tipping kit.)**

