

WARNING

- * Switch off the main electrical supply from the main fuse box / circuit breaker before installation.
- * Inspect item carefully before attempting to install.
- * If there is any damages or obvious defects, do not install.
- * Item may not be returned once it has been installed.

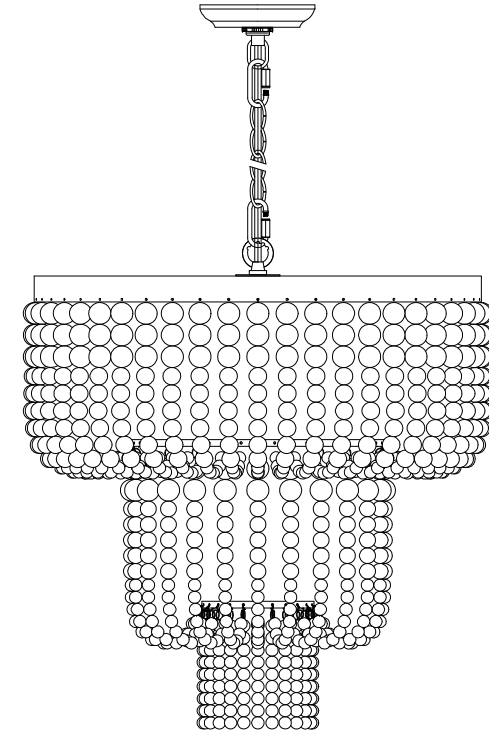
CARE AND MAINTENANCE

- * To clean the outside of the fixture, use a dry or slightly dampened clean cloth (use clean water, never a solvent) to wipe the surface of the fixture.
- * To clean the inside of the fixture, first disconnect power to the fixture by turning off the circuit breaker or by removing the fuse at the fuse box. Next, use a dry or slightly dampened clean cloth (use clean water, never a solvent) to wipe the interior surface of the fixture.
- * Do not use any cleaners with chemical, solvents or harsh abrasives. Use only a dry soft cloth to dust or








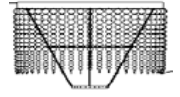






NOTICE& IMPORTANT SAFETY INSTRUCTIONS

- ** WE RECOMMEND INSTALLATION OF THIS LIGHTING FIXTURE BE DONE BY A LICENSED ELECTRICIAN **
- * Please make sure that you have all parts indicated before you begin assembly of this item
- * This item should be assembled on a soft surface to prevent scratching the finish during assembly
- * To reduce the risk of fire, electrical shock or injury to persons or property, please follow the guideline below for safe use and installation
- *The external flexible cable or cord of this lamp cannot be replaced
If the cord is damaged, the lamp shall be destroyed

Product Dimensions: 20.5"L x 20.5"W x 28.5"H



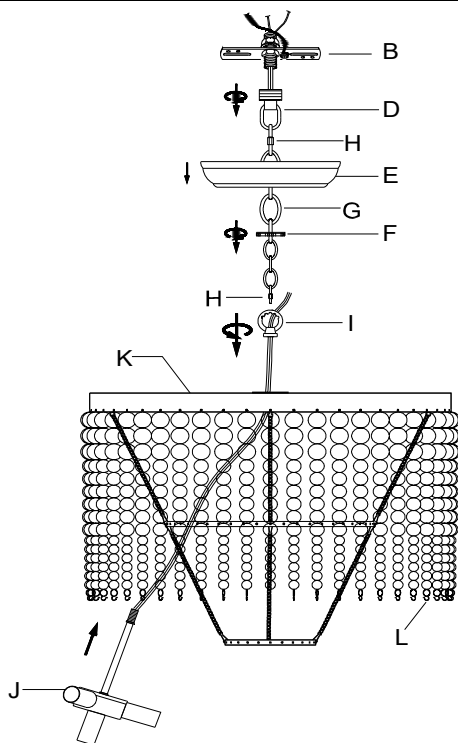
Part List and Hardware List

PIECE	DESCRIPTION	PICTURE	QUANTITY	PIECE	DESCRIPTION	PICTURE	QUANTITY
A	Wire Nut		3X	H	Closable link cap		2x
B	Mounting Plate		1X	I	Fixture Loop		1X
C	Mounting Screw		2X	J	Socket Assembly		1X
D	Hanging Loop		1X	K/L	Shade Frame		1X
E	Canopy		1X	M	Wood string 1		24X
F	Canopy Nut		1X	N	Wood string 2		24X
G	Chain		1X	O	Bulb		4X

PREPARATION

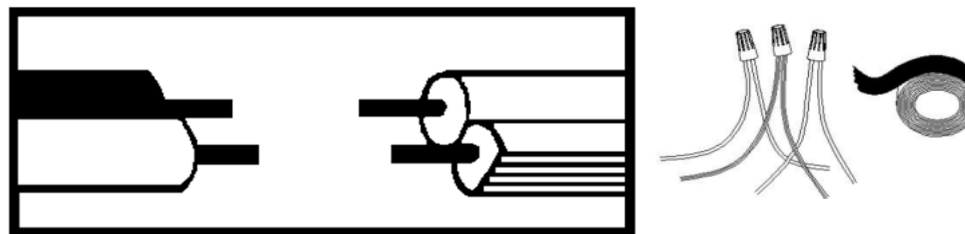
- * Before beginning assembly of product, make sure all parts are present. Compare parts with package contents list and hardware contents list.
- * If any part is missing or damaged, do not attempt to assemble the product.
- * Estimated Assembly Time: 20 minutes.
- * Tools Required for Assembly (not included): Screwdriver, Junction box
- * If you are having difficulty, our friendly Customer Care team is always here to help.

NOTE: PLEASE USE TYPE "B" BULB MAX 40-WATT OR CFL BULB MAX 13-WATT OR LED MAX 9-WATT THERE ARE 4 * C35 LED 4W BULBS IN THE BOX.



Step 1: Unpack all parts from cartons carefully. Put the threaded portion of the Socket Assembly (J) through the Shade Frame (K/L), then screw the threaded portion of the Socket Assembly (J) into the Hanging Loop (I) as diagram. Screw the Chain (G) to the Hanging Loop (D) and the Fixture Loop (I) with Closable link/cap (H) as diagram.

Weave the 2 wire power cord and bare ground wire through every other loop to the chain (G), center holes of Hanging Loop (D), Canopy (E) & Mounting Plate (B) as diagram. Separate the Mounting Plate (B) from the Canopy (E) by unscrewing the Canopy Nut (F) anti-clockwise. Slide the Canopy Nut (F) then the Canopy (E) to the end of the Chain (G).



Step 2: Wire connection

Connect fixture neutral wire (ribbed) to the outlet box neutral wire (usually white) using a wire nut.

Connect fixture hot wire (smooth with markings) to the outlet box hot wire (usually black) using a wire nut.

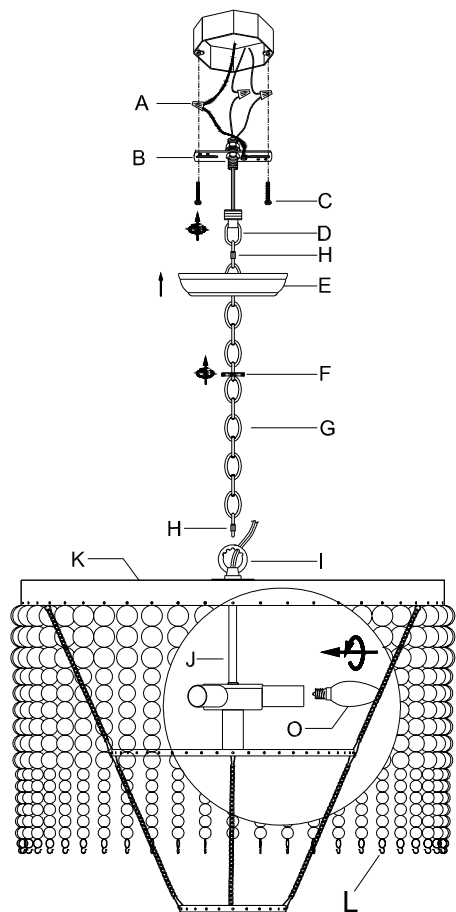
CAUTION: Do not reverse the hot and neutral connections

Grounding Instructions:

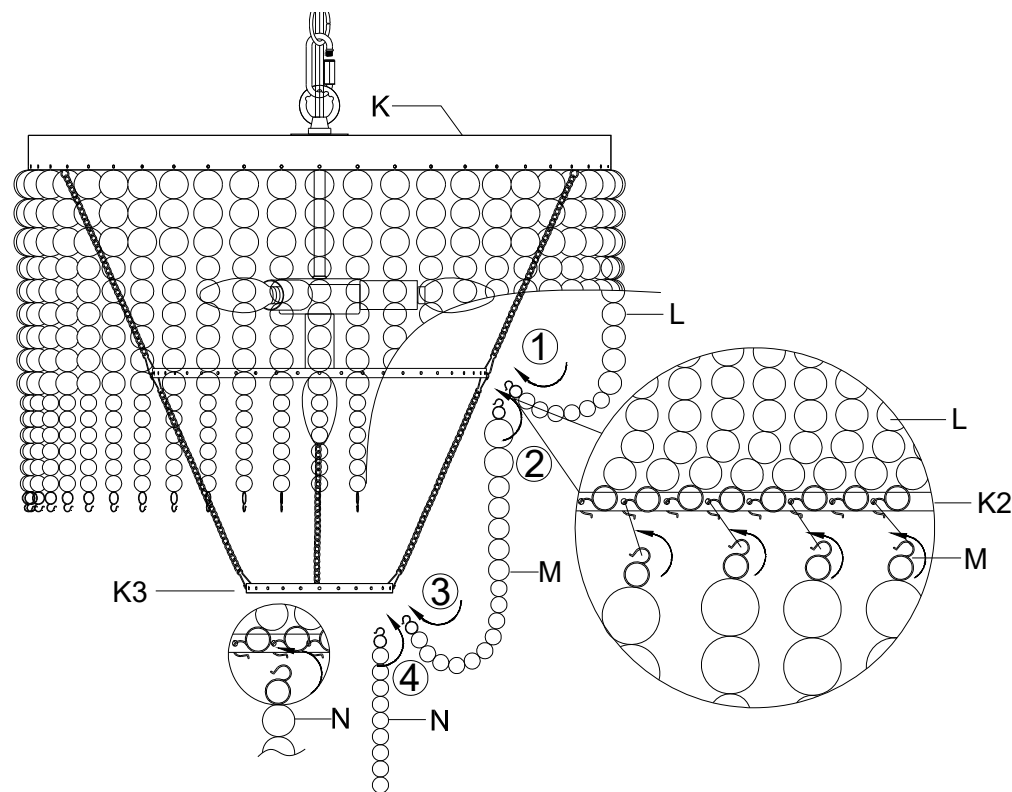
Wrap ground wire from outlet box around green ground screw on mounting bracket, no less than 2" from wire end. Tighten ground screw. If fixture is supplied with a ground wire, connect to outlet ground wire with a wire nut.

PREPARATION

- * Before beginning assembly of product, make sure all parts are present. Compare parts with package contents list and hardware contents list.
- * If any part is missing or damaged, do not attempt to assemble the product.
- * Estimated Assembly Time: 20 minutes.
- * Tools Required for Assembly (not included): Screwdriver, Junction box
- * If you are having difficulty, our friendly Customer Care team is always here to help.



Step 3: Fix the Mounting Plate (B) to the junction box with Mounting Screw (C). Attach the Canopy (E) to the junction box and fix it by turning the Canopy Nut (F) clockwise. Insert the bulb (O) into the Socket.



Step 4: Hanging the hooks in the end of Wood Strings (L) onto the Metal Frame (K2) as diagram. Hanging the hooks in the end of Wood Strings (M) onto the Metal Frame (K2), need to be spacing a hole as diagram. Then hanging the hooks in the other end of Wood Strings (M) onto the Metal Frame (K3). Hanging the hooks in the end of Wood Strings (N) onto the Metal Frame (K3) as diagram.