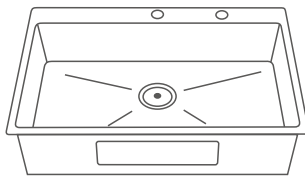
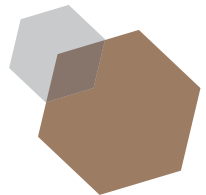


Sarlai®

INSTALLATION INSTRUCTIONS



Drop In Kitchen Sink



Drop In Kitchen Sink

- ★ Premium grade handmade sink
- ★ 16 gauge stainless steel 304
- ★ R10 radius coved corner
- ★ Excellent sound and thermal insulation ability
- ★ Limited lifetime warranty



In Accordance with Industry Codes & Standards for USA & Canada

All SARLAI Stainless Kitchen Sinks are Certified & Listed By cUPC.

CAUTION

Considering its weight and sharp edges, the sink should be taken out slowly and cautiously. It is better to protect your eyes and ears by using safety gloves and protective gear. We recommend two or more people to lift or mount the sink. Please DO NOT attempt to handle or install this product alone.

IMPORTANT: SARLAI strongly recommends that this product be installed by a licensed plumber. Ensure that installation complies with applicable plumbing and building codes.

TOOLS

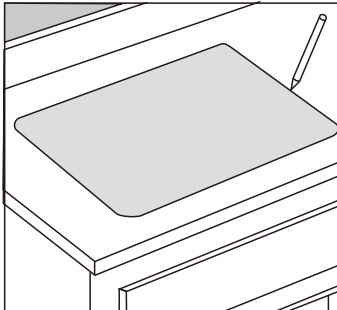
Safety glasses / marker / silicone adhesive sealant / tape measure / Jigsaw / rags
/wood braces / level / screws / bladed screwdriver

Step 1: Position the Template

Check the cutout template against the actual sink to make sure the cutout size is correct, then place the cutout template in the desired location on the countertop.

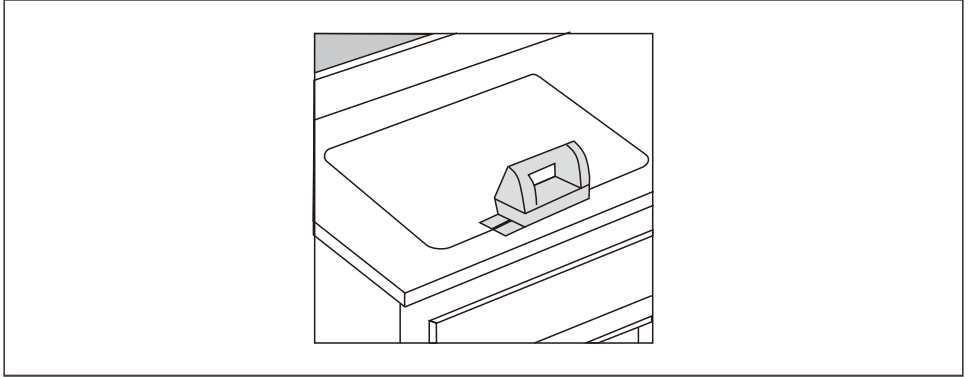
Step 2: Trace the Template

Trace the template on the countertop with a pencil(Figure 1).

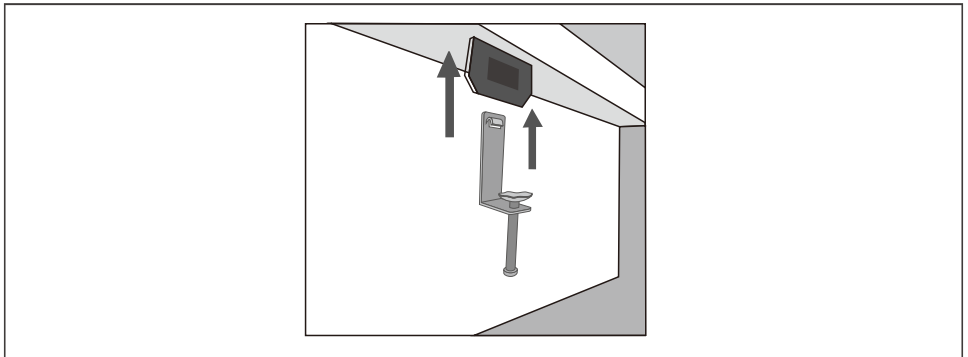


Step 3: Cut the Countertop

Carefully cut the opening in the countertop according to the tracing line (Note: use the saw suitable for cutting the material of your countertop).



Step 4: Attach the mounting clip to the protruding prongs below the sink edge. Make sure the hooked side of the mounting clip is facing away from the sink.

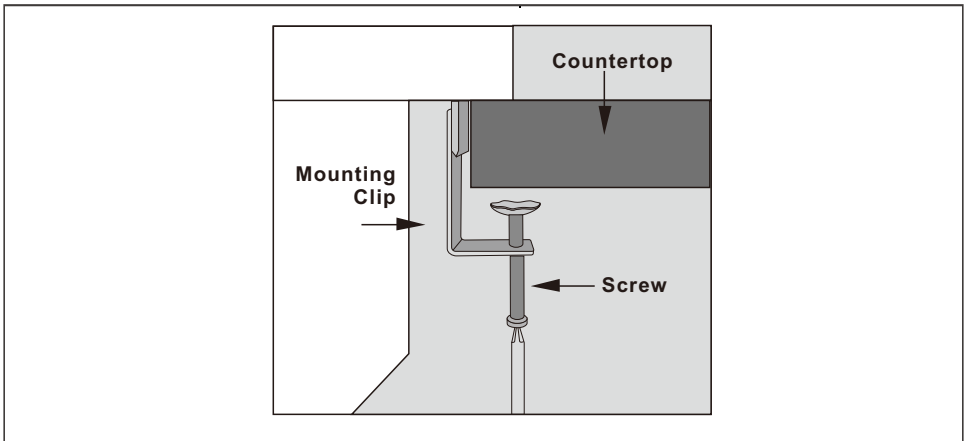
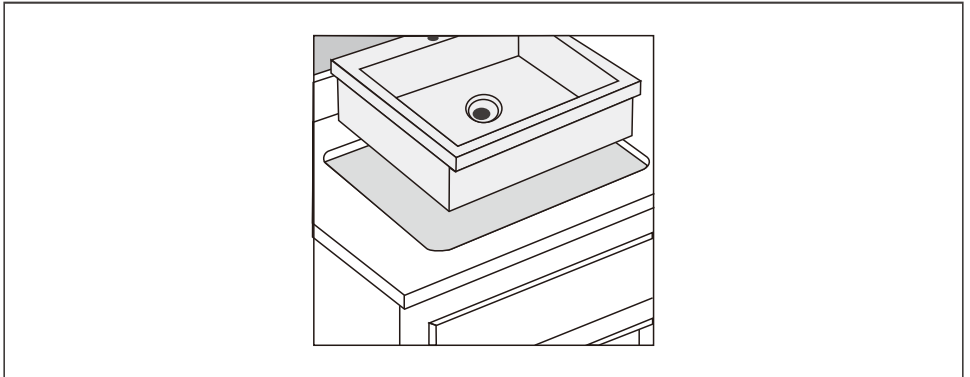


Step 5: Apply Silicone or Plumber's Putty

Clean and dry the rim surface of the sink; turn the sink upside down and apply the sealant (not included) underneath the sink rim.

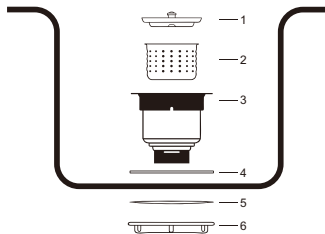
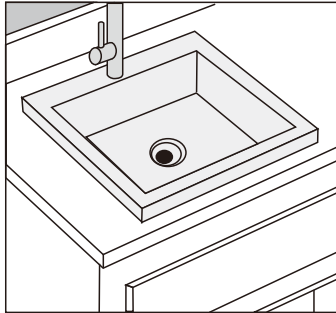
Step 6: Fix the Sink to Countertop

- Insert the sink into the opening, confirm that the sink fits the countertop opening , and press firmly (Figure 4).
- Tighten the screws in the front of the sink, followed by the ones in the back and on the sides of the sink (Figure 5).
- Remove excess silicone-based adhesive.
- Allow the sealant to settle for 30-60 minutes.



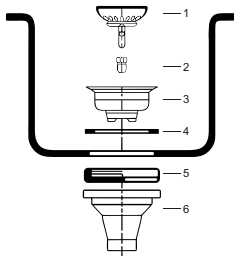
Step 7: Install Plumbing Fixtures

- Connect the drain to the sink. Connect the trap to the drain. Connect the water supply connections to the faucet according to manufacturer's instructions.
- Drain water into the sink and check for leaks.



- ASSEMBLY
INSTRUCTIONS
1. Cap
 2. Basket
 3. Bowl
 4. Foam washer
 5. Rubber Washer
 6. Lock Nut

Drain Installation Guide



- ASSEMBLY
INSTRUCTIONS
1. Strainer Basket Assembly
 2. Screw
 3. Strainer Bowl
 4. Top Seal
 5. Bottom Seal
 6. Waste Bowl

Drain Installation Guide

MAINTENANCE INSTRUCTIONS

FAQs

1. Why are there rusts in my new kitchen sink?

Reasons:

Rusts and stains on a stainless steel sink can be caused by a variety of factors, including:

- 1.1 A iron pan or other metal pans are left in the sink for days.
- 1.2 Utensils or flatware are left in the sink for days.
- 1.3 Metal cans (pet food cans, vegetables cans, etc.) are left in the sink for days.
- 1.4 The water contains iron (suggestion: get an iron filter to help alleviate this issue).
- 1.5 Certain dish soaps contained by metal bottle or built-in soap dispenser.
- 1.6 Wet sponges or colored towels are left in the sink for days.

Prevention and Treatments:

- 1.1 Install the sink after all innovation project is done and clean your sink right after installation.
- 1.2 Clean your sink after each use.
- 1.3 Properly remove the rusts and molds using a scouring pad.

2. What will scratch or harm the sink?

Factors:

- 1.1 Improper packaging can lead to scratch marks. The accessories may scratch the sinks during transit.
(SARLAI will try our best to pack the sinks well which would avoid the scratches)
- 1.2 The sink can be easily scratched by sharp objects, please use soft cloth to clean the sink.

Prevention and Treatments:

- 1.1 Minor scratch: You can use a sponge with toothpaste to polish it repeatedly.
- 1.2 Moderate scratch: Use a scouring pad to polish small areas.
- 1.3 Serious scratch: Purchase stainless steel polisher.

3. What can cause the water stains?

Reasons:

This is normal for a kitchen sink, but it is easy to wash out.

Prevention and Treatments:

- 1.1 Scouring powder can help solve the problem effectively.
- 1.2 Clean Daily. Use a soft towel to wipe the sink with warm water. Mixing in some washer-fluid is much better. Remember wipe it dry at last.

DO

1. Clean Daily. Use a soft towel to wipe the sink with warm water. Mixing in some wash-er-fluid is advisable. Remember to wipe it dry.
2. Remember to rinse the sink after using any cleaning agent and wipe dry. If any mineral substance is built up on the sink, clean it up as soon as possible.
3. Properly remove the rust, molds, or scratches with a scouring pad. Rubbing the sink in the direction of the brush.
4. Rub it slightly with a soft towel in the direction of brushed lines.
5. Keep the sink dry after you use it. Any standing water can cause mineral deposits accumulation, which could turn to severe water stains.

DO NOT

1. Leave water spots, utensils, or steel cool-ware in the sink for a long time, which could become rust spots on your sink surface.
2. Leave cleaning agents or bleach sitting in your sink for a long time which may cause the sink to discolor or damage the surface.
3. Use steel wool or a scouring pad to rub.
4. Leave rubber mats, cleaning pads, or sponges in the sink for a long time as this may ruin the finish of your sink.
5. Cut food in the sink.
6. The hard water may also cause rust stains.

How to use the scouring pad correctly?

1. Choose a dry, clean, and non-scratch scrub pad.
2. Follow the direction of the brush to remove rust.

STAINLESS STEEL FARMHOUSE SINKS

General Recommendations:

- Check all the matching products when opening the package.
- Check your sink for any noticeable damage before installation.
- Read the installation and maintenance instructions thoroughly before installation.
- Consult your cabinet dealer before ordering your customized sink cabinet.
- SARLAI recommends that sinks should be installed by professional contractors.
- SARLAI does not be responsible for any damage to the countertop, sink fixture, faucet, and personal injury during installation.

SERVICE AND SUPPORT

SARLAI carries out the quality standard and refines on every detail, its ingenious modeling and exquisite craftsmanship give the sink an artwork-like sense, revealing a “delicate” and “natural” beauty within an inch. Its user-friendly design, advanced drainage system and unique anti-bacterial technique help to solve a lot of trouble in the kitchen. Moreover, the nanotechnology series of sinks featuring high-temperature resistance, shock resistance and oil resistance advantages, also, combining tradition and innovation theory perfectly, provide you with an extraordinary living experience.

