

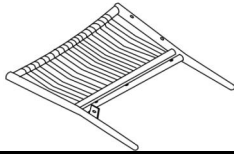
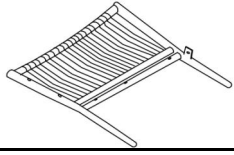
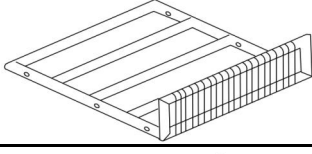
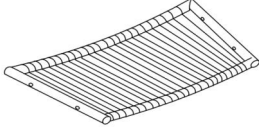
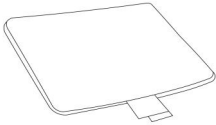

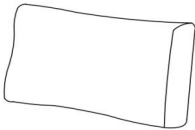
Assembly Instructions

Caution: You must read this before you proceed





Club Chair



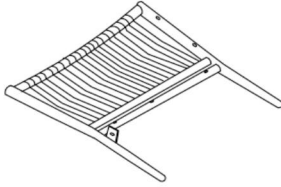
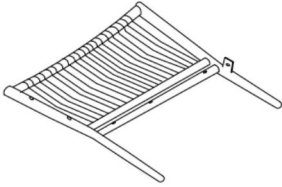
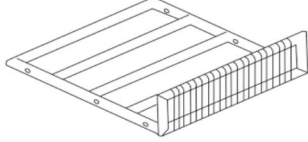
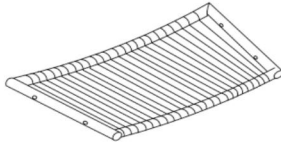


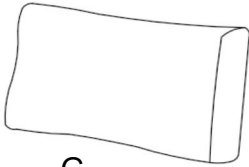

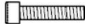


Part List

Label	Picture	Description	QTY
A		Left Armrest	1
B		Right Armrest	1
C		Seat	1
D		Backrest	1
E		Seat Cushion (Cushion cover)	1
F		Seat Cushion (Cushion sponge)	1
G		Back Cushion	1

Hardware

Label	Picture	Description	QTY
①		Allen Wrench	1
②		Bolt (M6*40mm)	11
③		Bolt (M6*20mm)	3
④		Washer	13

Assembly Preparation

Before Beginning Assembly:	  			
	   			
	 ①	 X11 ②	 X3 ③	 X13 ④



- Read instructions, cover to cover-



- Have 2 adults on hand for assembly-



- Do not assemble on flooring or carpet-

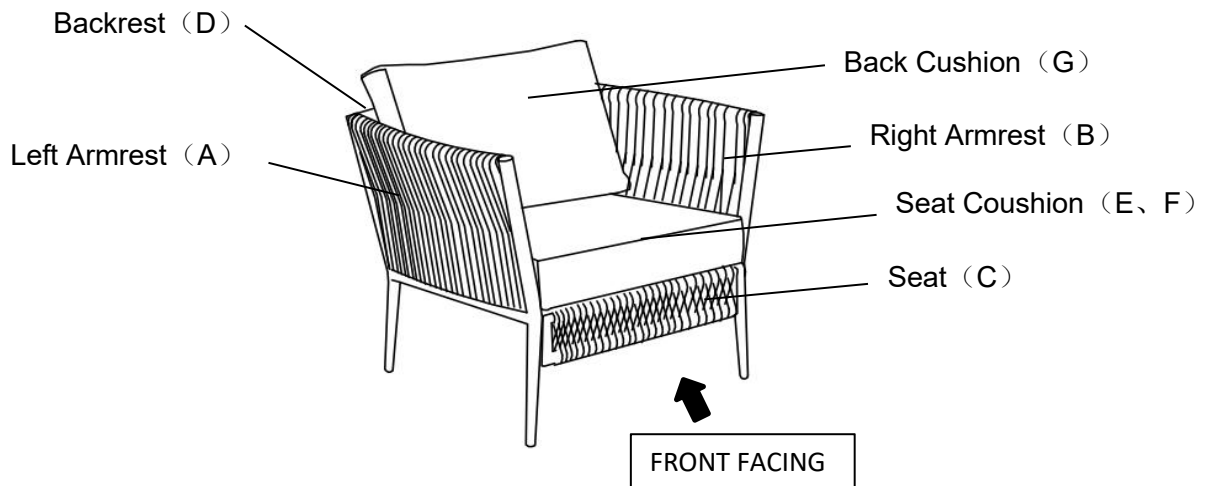


- Assemble on a clean non-marring surface (packing foam)-



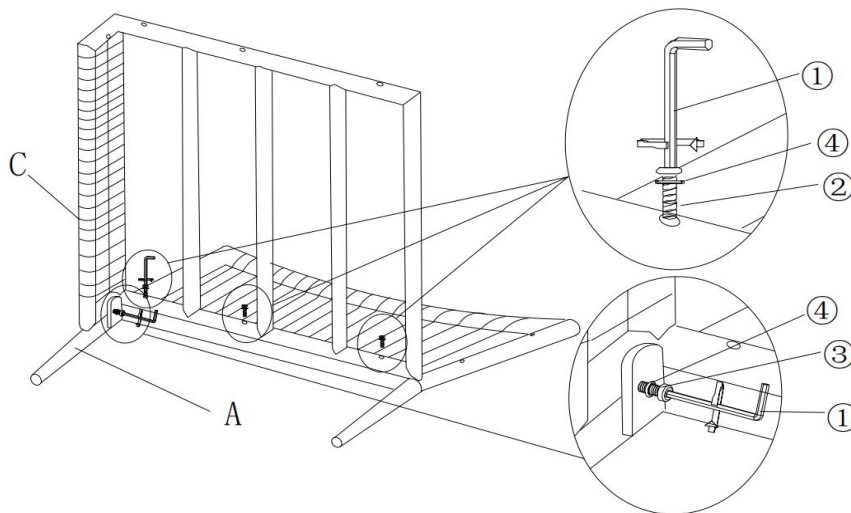
- Save all packaging until finished-

Assembly Steps



This Club Chair has multiple parts and may require up to 30 minutes to assemble. To give you an overview of the Club Chair parts, the above picture is to help you put the various parts into perspective. Please read through the instructions below to familiarise yourself with the parts and steps before assembly.

Step 1



Open the carton and place all the parts onto a clean, non-marring surface.

Place the Left Armrest(A) with its inside facing skywards.

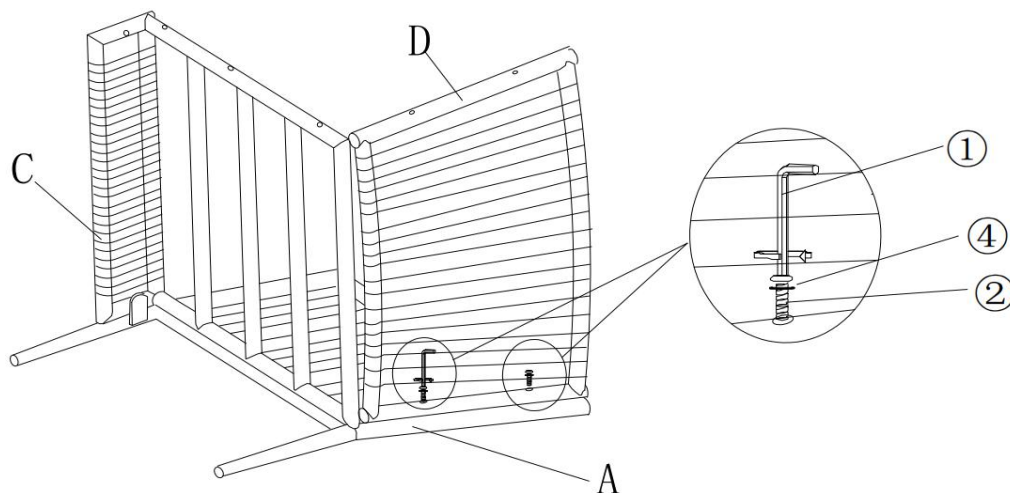
Align Seat(C) to Left Armrest(A) as pictured.

Attach Seat(C) to Left Armrest(A) using Bolts(②), Bolts(③), and Washers(④) with Allen Wrench(①) where indicated above.

Do not fully tighten the Bolts.

It can happen that some of the Wicker covers the Bolt points, preventing easy assembly, the Rope should never be cut but only moved away from the mounting positions.

Step 2



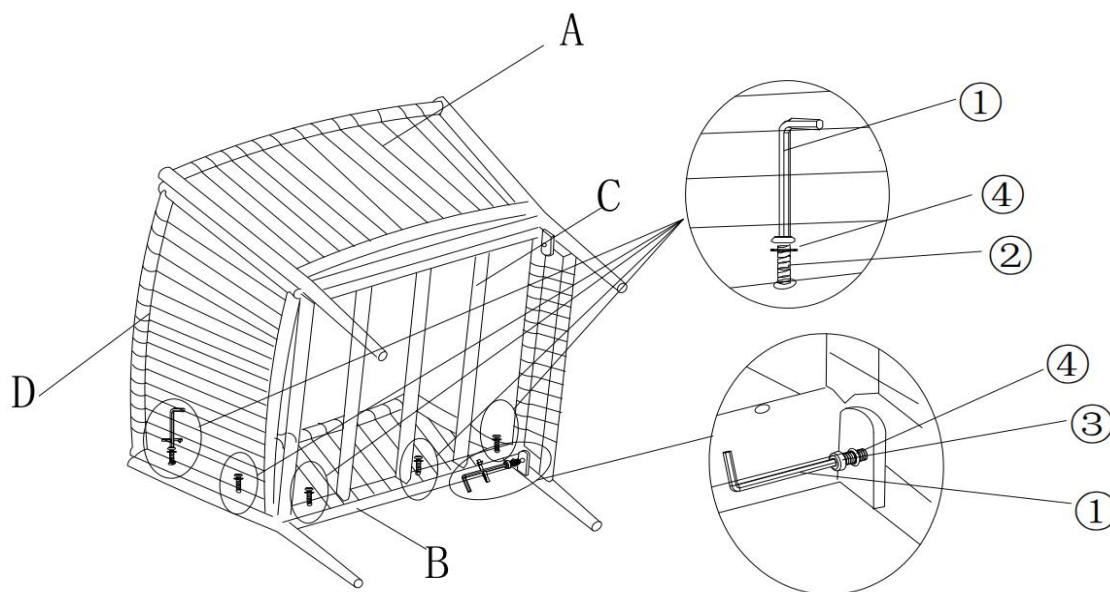
Align Backrest(D) between the Seat(C) and the Left Armrest(A).

Attach Backrest(D) to Left Armrest(A) using Bolts(②), and Washers(④) with Allen Wrench(①).

Do not fully tighten the Bolts.

It can happen that some of the Wicker covers the Bolt points, preventing easy assembly, the Rope should never be cut but only moved away from the mounting positions.

Step 3



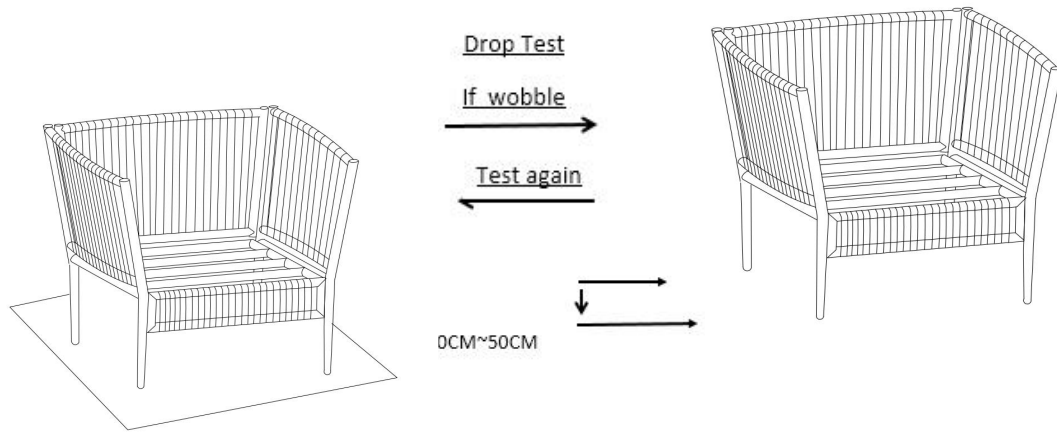
Align Right Armrest(B) to Backrest(D) and Seat(C).

Attach the Right Armrest(B) to Backrest(D) and Seat(C) using Bolts(②), Bolts(③), and Washers(④) with Allen Wrench(①) where indicated above.

Do not fully tighten the Bolts.

It can happen that some of the Wicker covers the Bolt points, preventing easy assembly, the Rope should never be cut but only moved away from the mounting positions.

Step 4



Stand the Club Chair up.

Place the Club Chair on a LEVEL SURFACE to check for wobbles.

If it wobbles, lift the Club Chair some 20cm to 30cm high from the ground.

Keep your feet and toes well away from the drop zone.

Drop the Club Chair freely and vertically with all four legs, hitting the ground, at the same time.

This Drop Test will help to ensure that all Bolts and gaps reach full alignment status.

Test again for evenness on a LEVEL SURFACE.

If no wobbles are found, slowly and carefully, turn the Club Chair facedown.

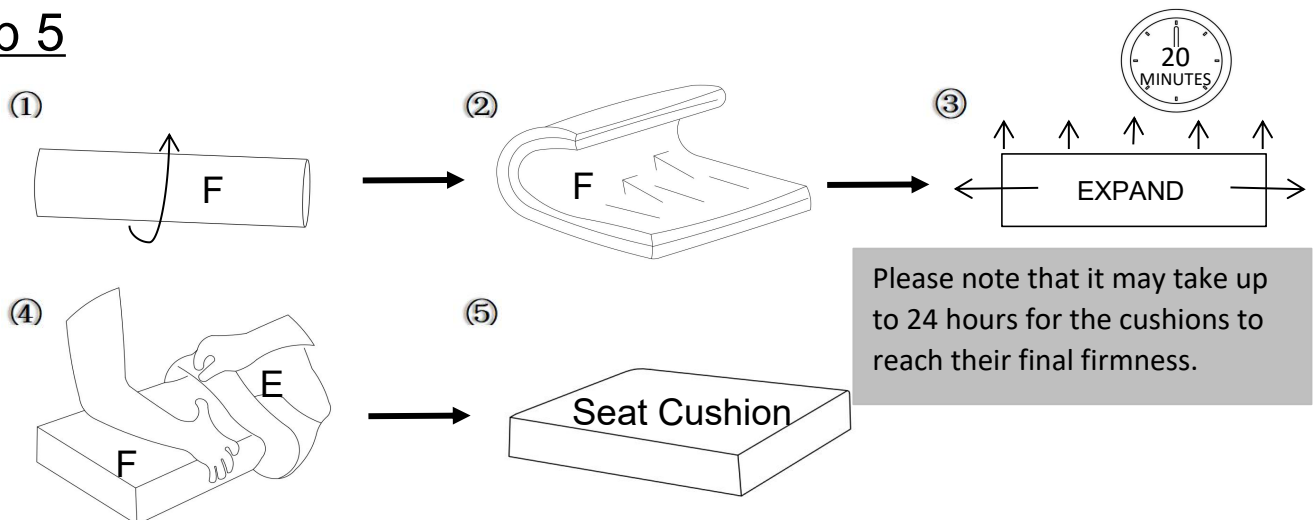
Then, proceed to tighten all Bolts in a sequential manner.

When tightening the Bolts, tighten sequentially.

DO NOT tighten any Bolt fully and then towards the next one.

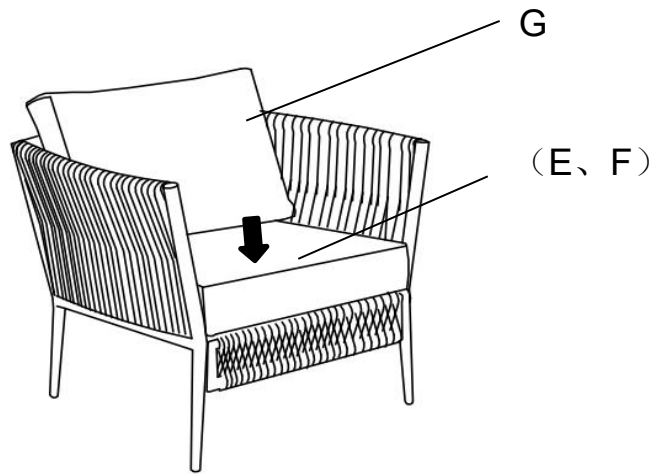
If there are still wobbles, loosen the Bolts and execute the same drop test.

Step 5



Open the rolled compression bag and lay it flat for recovery. Then open the bag, remove the sponge (F) and slide the sponge into the seat cover (E). You will have a complete seat cushion.

Step 6






















Turn the Chair right side up.

Place the Seat Cushion(E、 F) and Back Cushion(G) onto the Club Chair.

Your Club Chair is ready for use.

This Club Chair can only be used on a flat, level surface.

Care & Maintenance

-   ● Do not put hot items directly on furniture surface
 -   ● Do not clean furniture with harsh cleansers or polish.
 -  ● To obtain the longest lifespan of your outdoor products, minimizing exposure to direct sunlight is recommended.
 -   ● Children should not climb or jump on the furniture.
 -   ● Do not write on furniture without a padded barrier to protect the surface.
 -   ● To obtain the longest lifespan of your outdoor products, avoid extended and lengthy exposure to rain, snow, and direct sunshine. Whenever possible cover the product and /or place under patio or awnings.
 -   ● Not for commercial use. For residential use only .
 -   ● Stains may be removed with mild soap solution and damp cloth.
 -   ● Keep away from sources of ignition.
-
-   ● Dust and pick-up spills using a clean, non-colored, lint-free cloth .