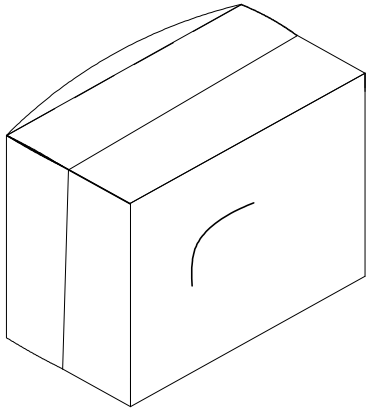


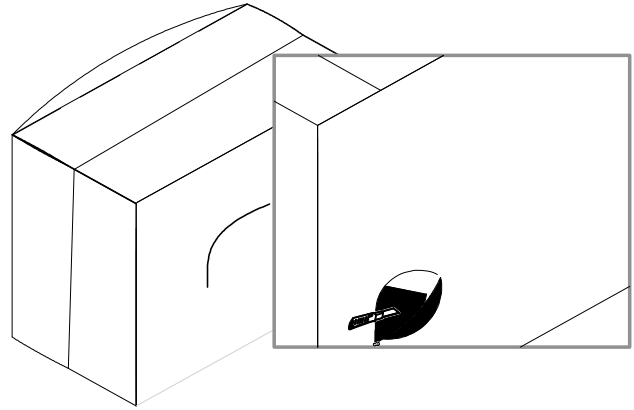
# Leg Assembly Instructions

## STEP 1



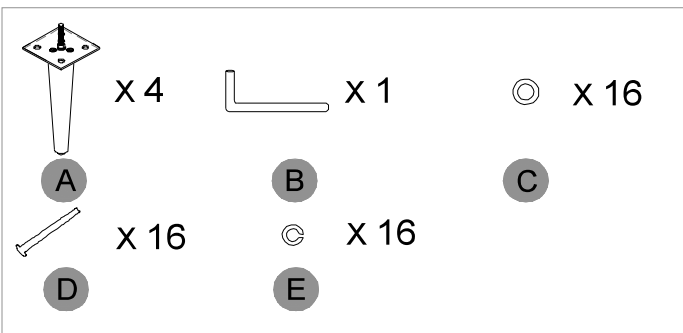
## STEP 2

Cut the strip inside and remove the package out.

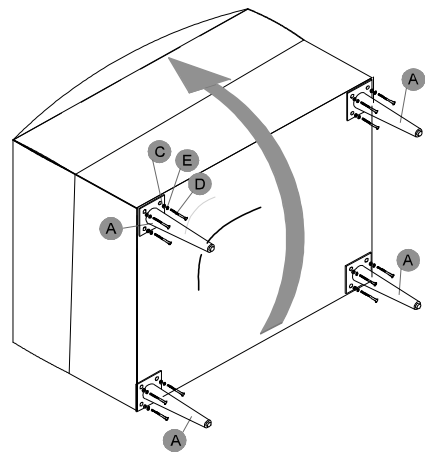


## STEP 3

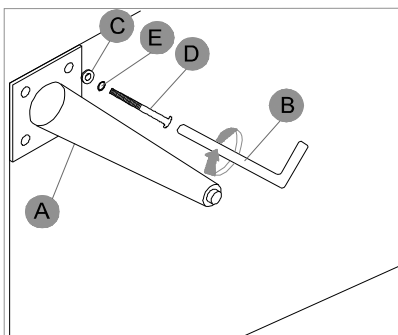
Unpack the parts package.



## STEP 4



## STEP 5



## STEP 6

