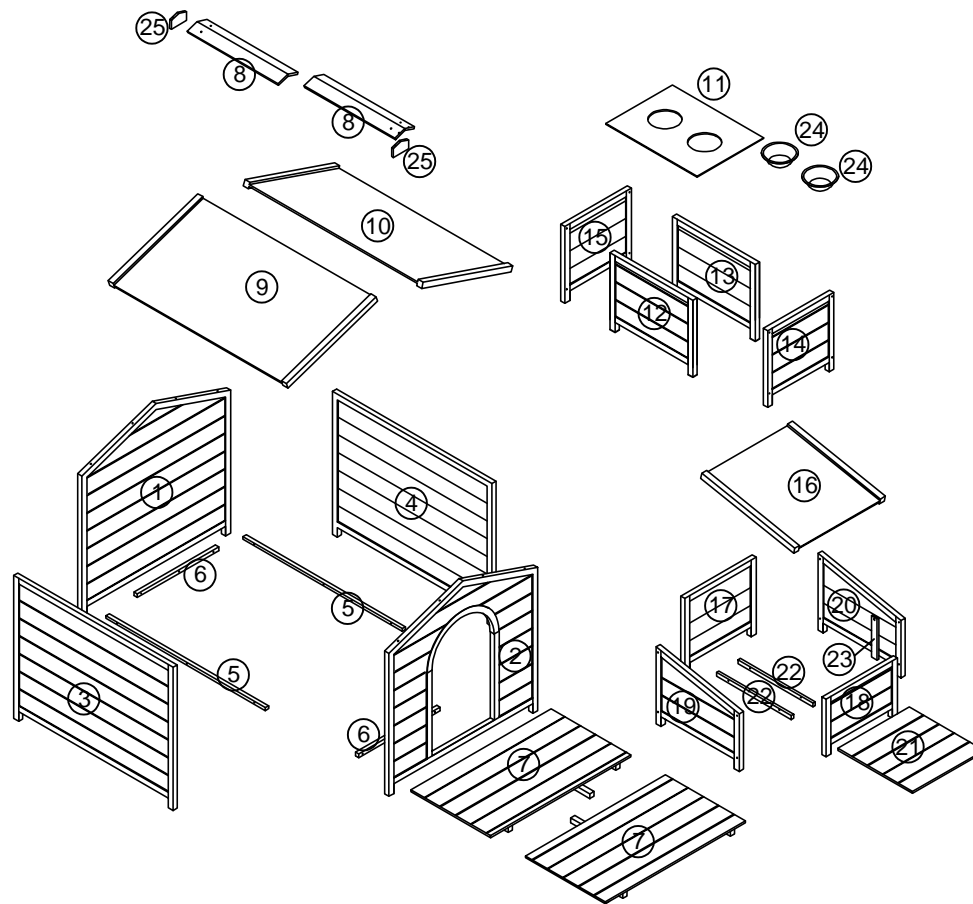
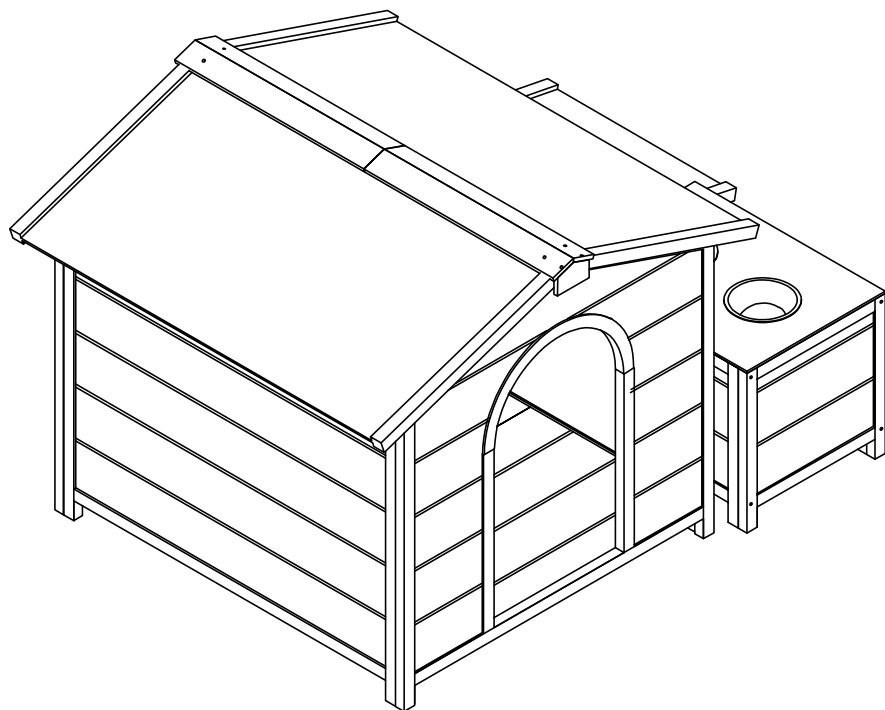
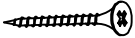
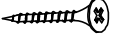
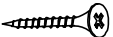
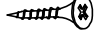



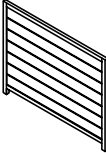
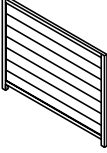
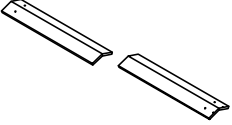
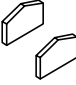
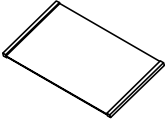
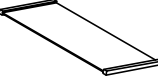
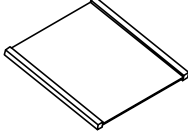
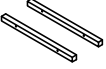

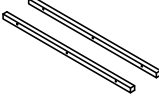

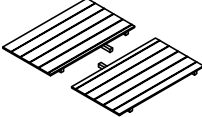
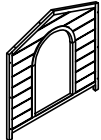
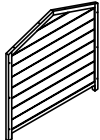
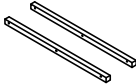
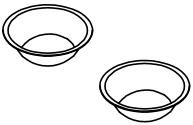
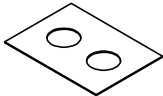
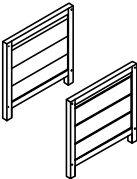
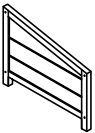
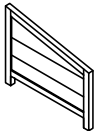
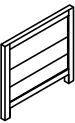
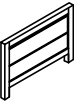

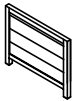


# DOG HOUSE ASSEMBLY INSTRUCTIONS

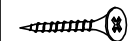
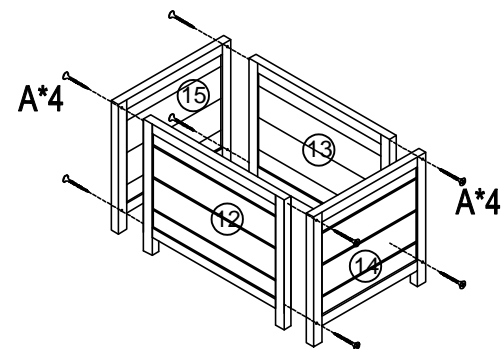


<b>A</b>		M3.5x40mm	28
<b>B</b>		M3.5x35mm	18
<b>C</b>		M3.5x20mm	21
<b>D</b>		M3.5x12mm	12
<b>E</b>		1.5"	2
<b>F</b>		45mm	2
<b>G</b>			1

<b>③</b> x1 	<b>④</b> x1 	<b>⑧</b> x2 
<b>⑫</b> x2 	<b>⑨</b> x1 	<b>⑩</b> x1 
<b>⑬</b> x1 	<b>⑭</b> x2 	<b>⑮</b> x1 
<b>⑤</b> x2 	<b>⑫</b> x1 	<b>⑦</b> x2 

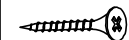
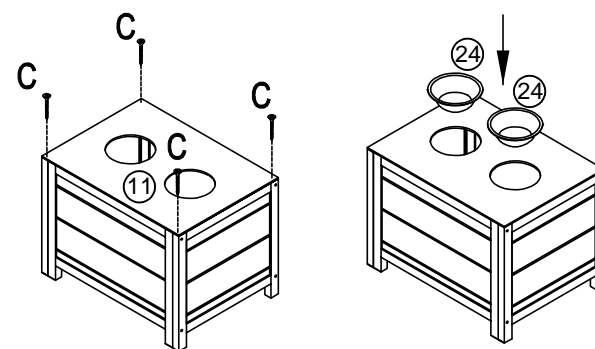
② x1 	① x1 	⑥ x2 
②④ x2 	①① x1 	①④ x1 ①⑤ x1 
①⑨ x1 	②⑩ x1 	①⑦ x1 
①⑧ x1 	②① x1 	①③ x1 

## Step1



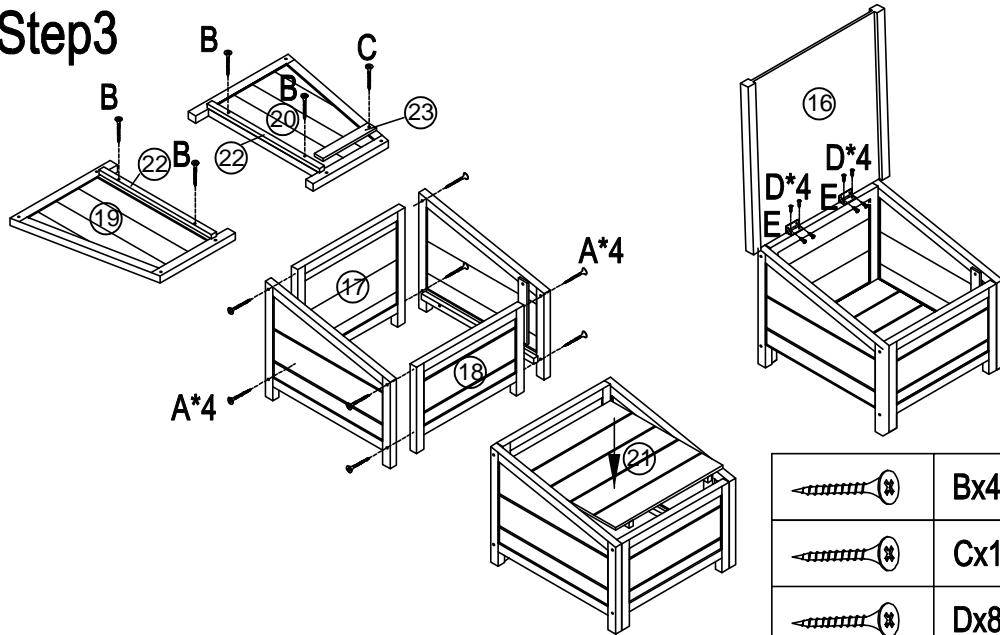
Ax8

## Step2



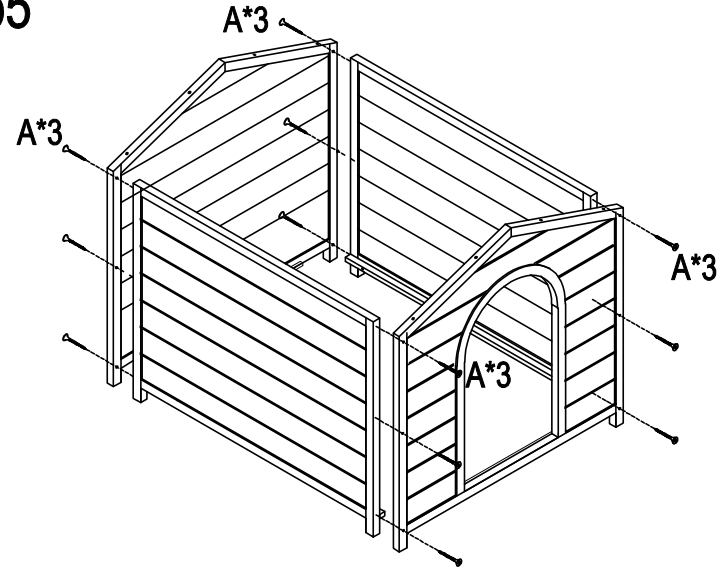
Cx4

### Step3



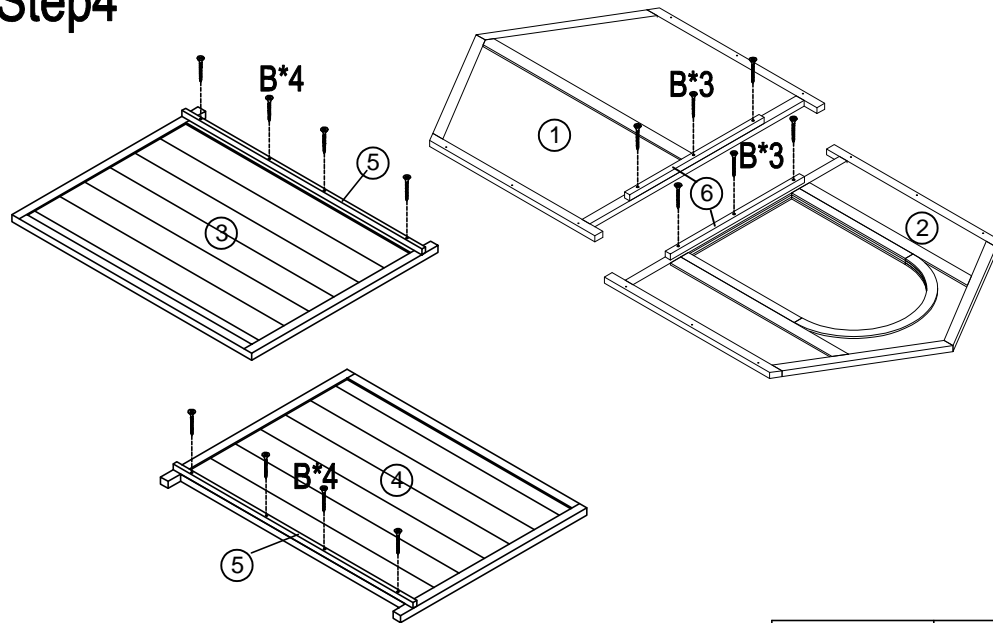
	Ax8		Ex2
--	-----	--	-----

### Step5



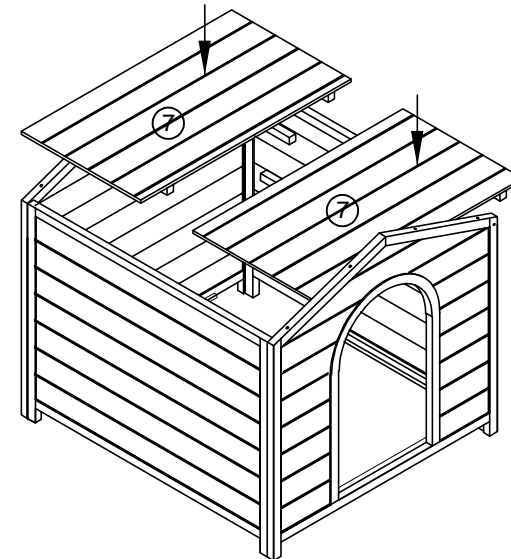
	Ax12
--	------

### Step4

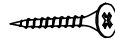
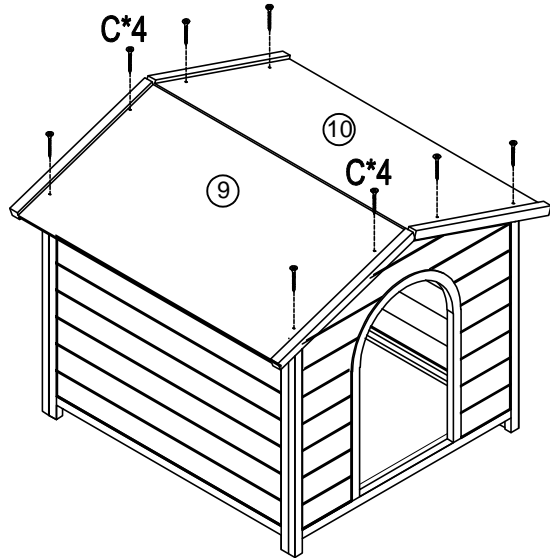


	Bx4
--	-----

### Step6

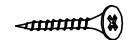
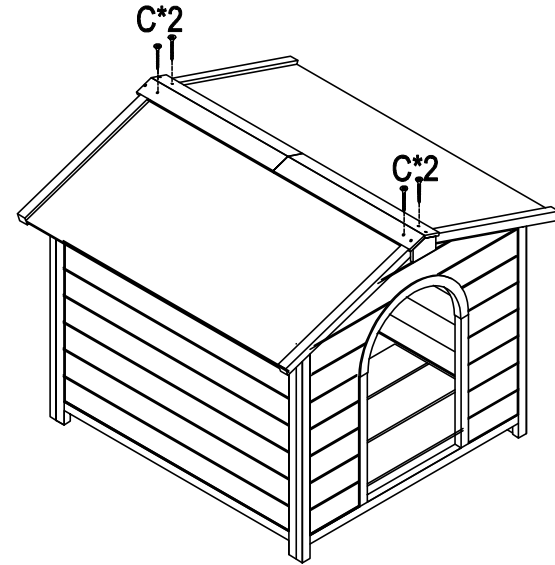


# Step7



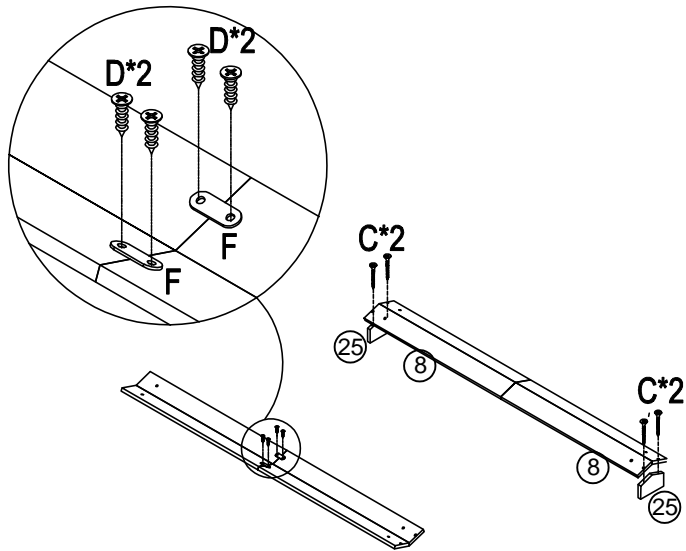
Cx8

# Step9



Cx4

# Step8



Cx4



Fx2



Dx4

# Step10

