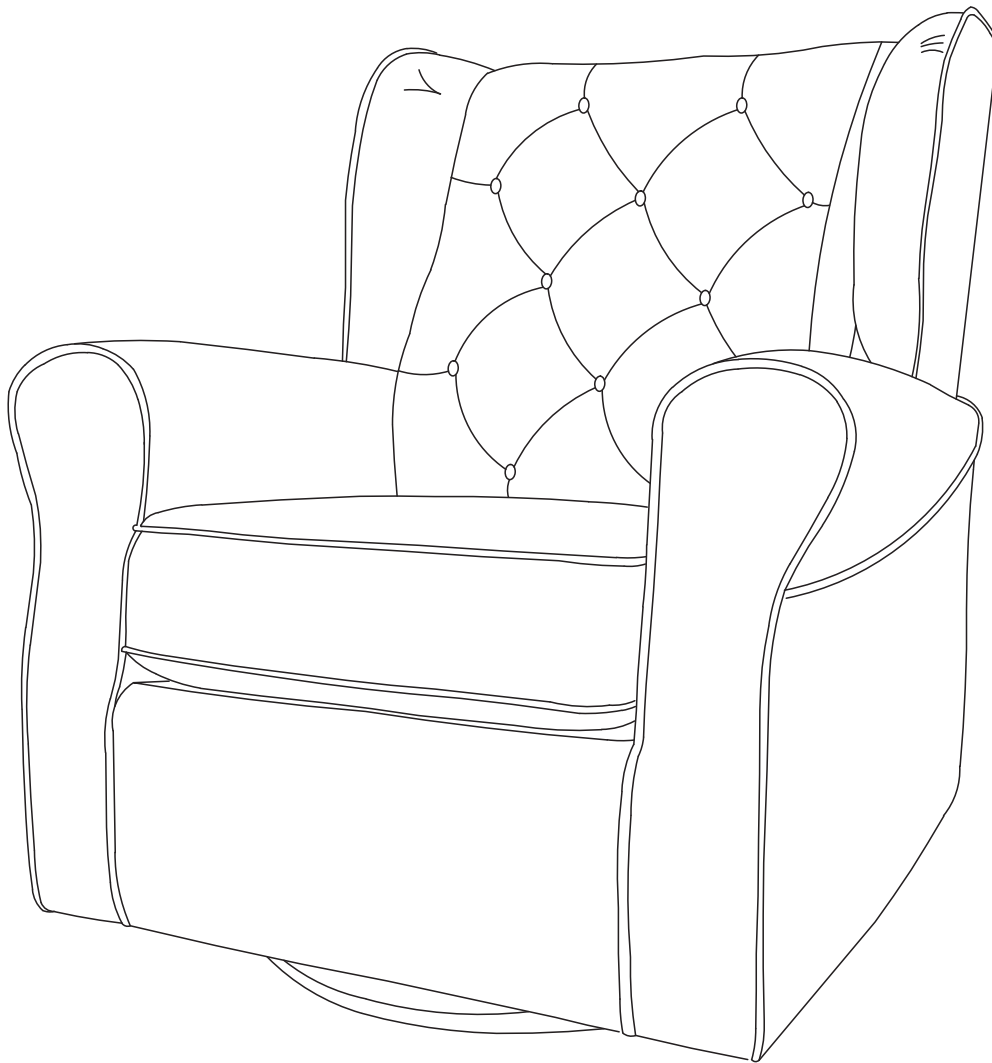


ASSEMBLY INSTRUCTION

Thank you for purchasing this quality product. Be sure to check all packing material carefully for small parts which may have come loose inside the carton during shipment. Separate, identify and count all parts and metal hardware. Compare with parts list to be sure all parts are present. If any part(s) are missing or damaged, please contact your local furniture dealer. For efficient and speedy service, please indicate the model number and code letter of part(s) needed.

***** Do not fully tighten screws until fully assembled *****

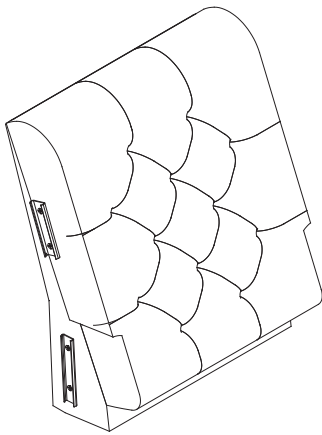


FABRIC CARE INSTRUCTIONS:

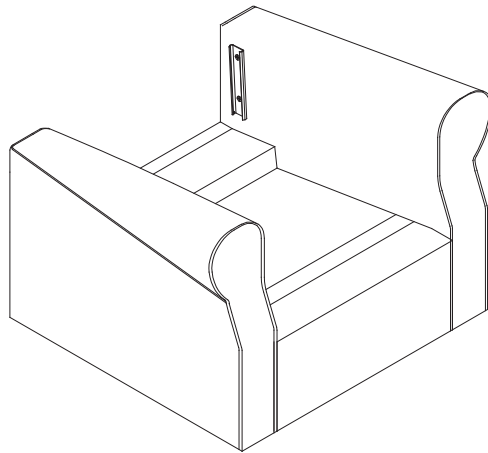
- Only mild, water-free cleaning solvents should be used.
- Never use water. Tap water contains minerals that may cause rings or fading.
- Do not use bleach.
- Do not dry clean individual parts.

ASSEMBLY INSTRUCTIONS •

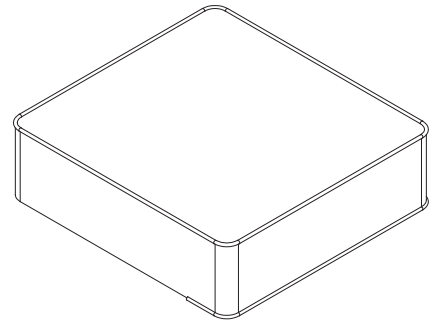
PARTS: MAKE SURE THAT ALL PRE-ASSEMBLED PARTS ARE TIGHT



A. Seat Back x 1



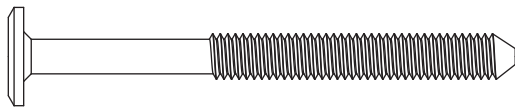
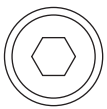
B. Seat Base x 1



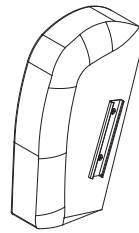
C. Seat Cushion x 1

G. Right Seat Back x 1

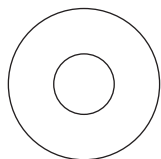
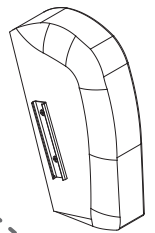
Parts: Hardware kits part#25332



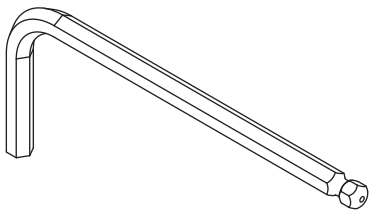
D. M6 x 65 mm Bolt x 2



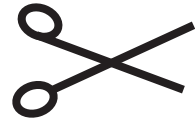
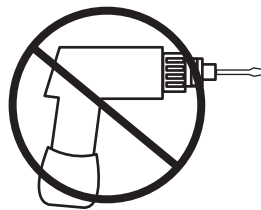
F. Left Seat Back x 1



E. Φ 20mm Washer x 2



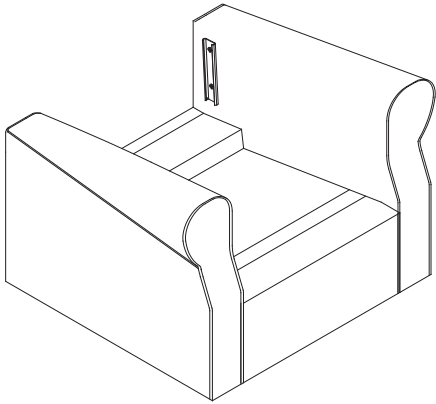
M5 Allen Wrench (Provided)



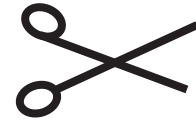
No drills necessary. Do not use power screwdriver.
Scissors (not supplied)

Step 1

Parts and tools required to complete step

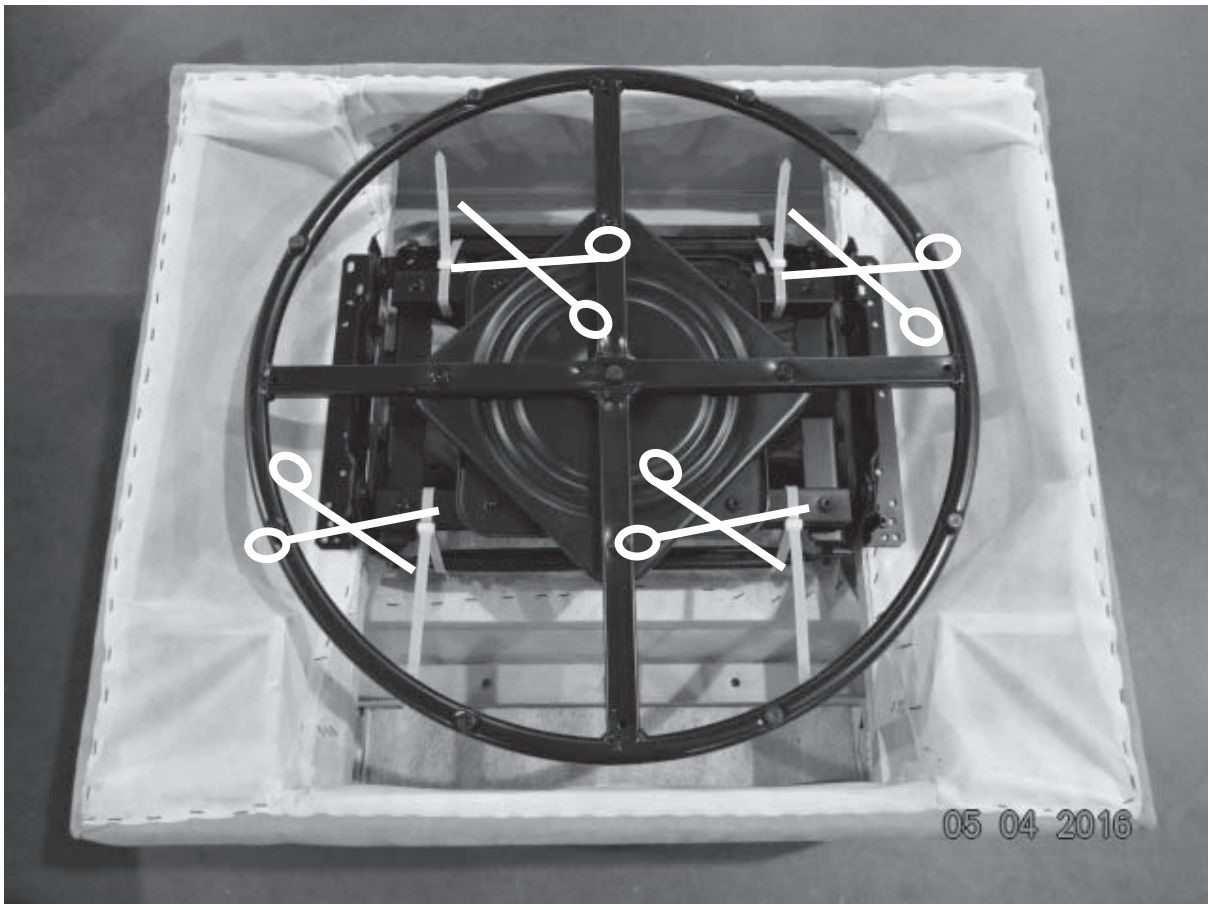


B. Seat Base x 1



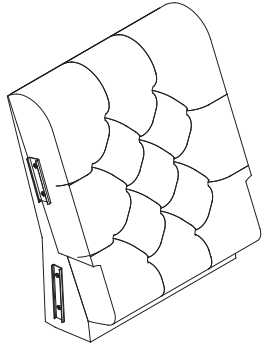
Scissors (Not Provided)

From underneath the Seat Base (Part B) carefully cut the straps wrapped around the metal mechanism and the wood rail at the front and back.

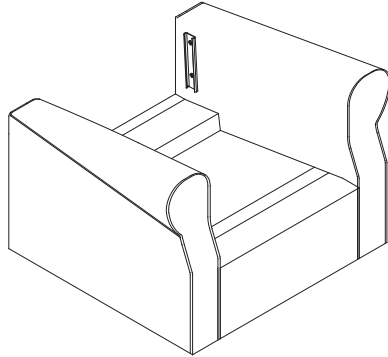


Step 2

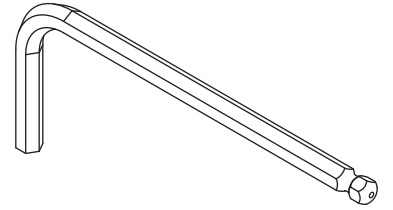
Parts and tools required to complete step



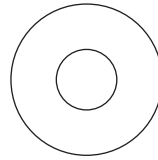
A. Seat Back x 1



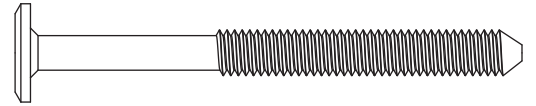
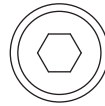
B. Seat Base x 1



M5 Allen Wrench (Provided)

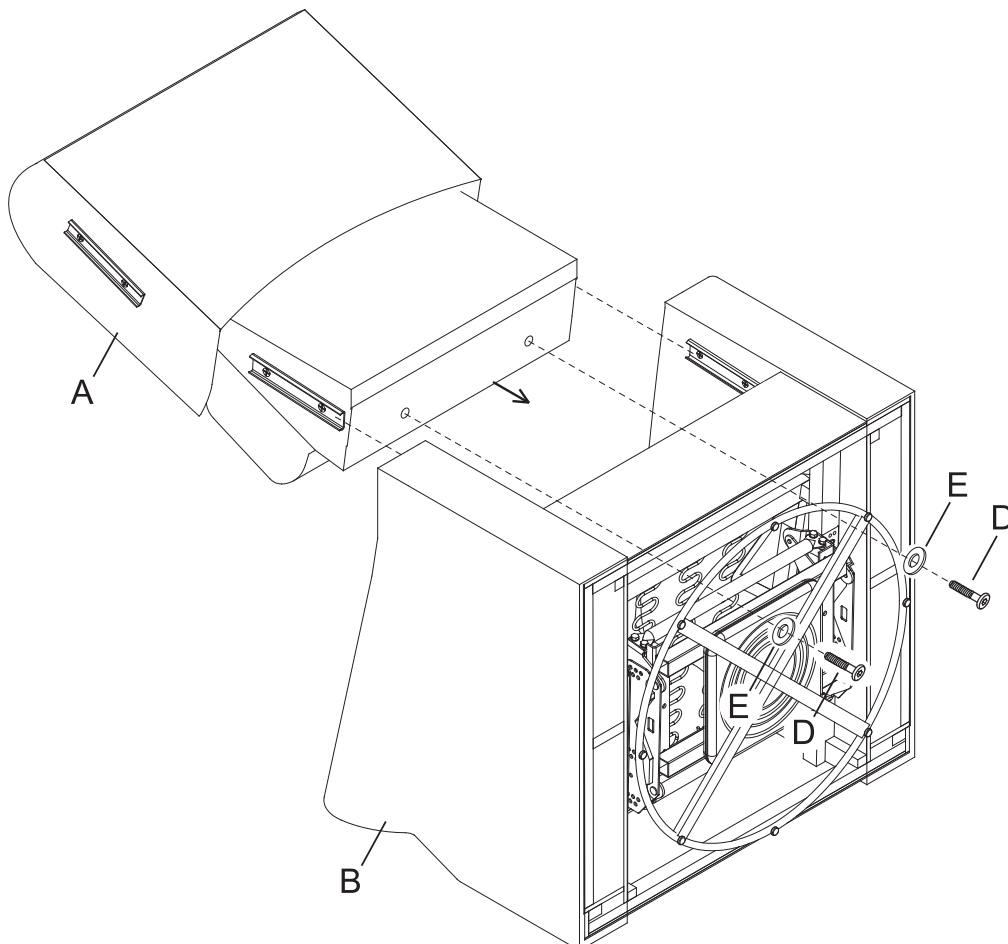


E. Φ20mm Washer x 2



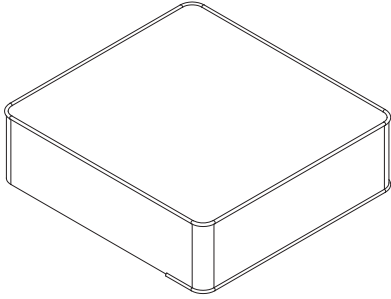
D. M6 x 65 mm Bolt x 2

Attach the Seat Back (Part A) to the Seat Base (Part B) using (2) Φ20mm Washers (Part E) and (2) M6x65mm Bolts (Part D), tighten with the M5 Allen Wrench.



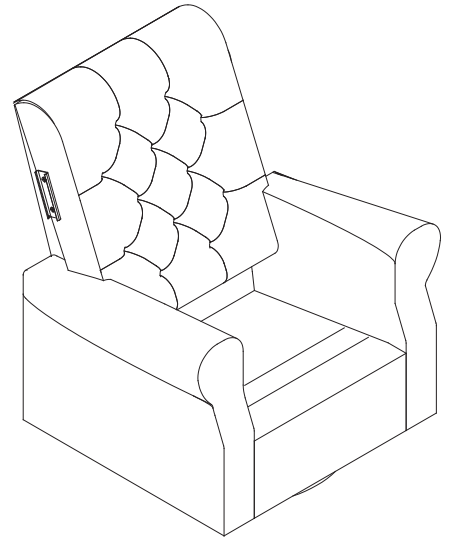
Step 3

Parts and tools required to complete step

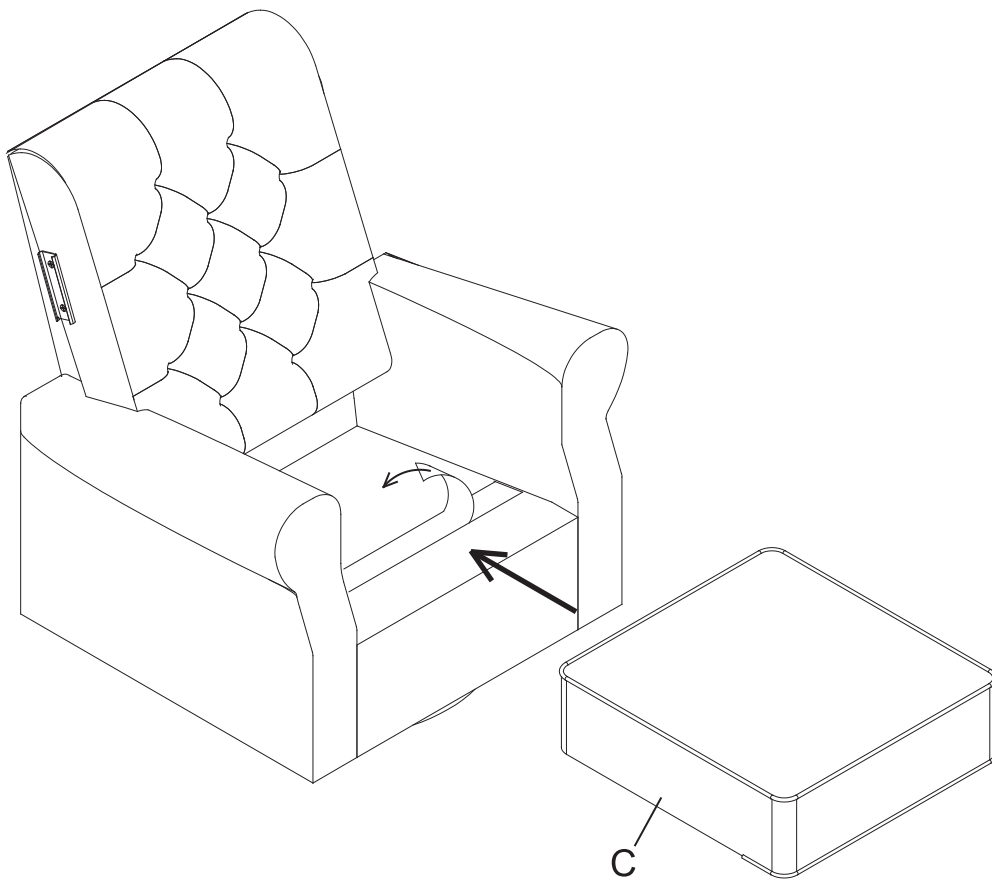


C. Seat Cushion x 1

From Step 2

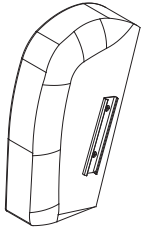


Attach the Seat Cushion (Part C) into the Glider as shown.

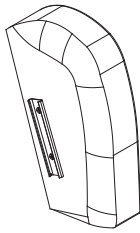


Step 4

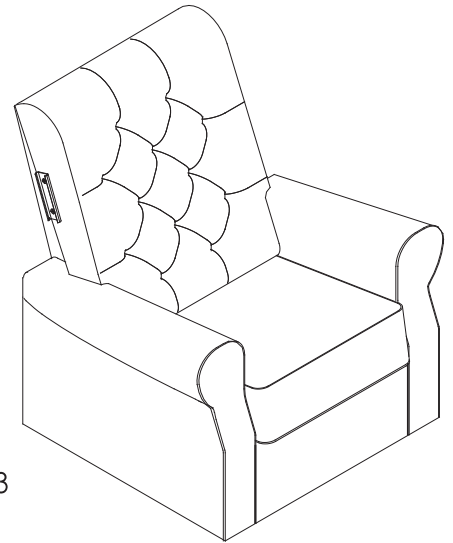
Parts and tools required to complete step



F. Left Seat Back x 1



G. Right Seat Back x 1



From Step 3

Attach the Left Seat Back (Part F) and the Right Seat Back (Part G) to the Seat Back (Part A) as shown.

