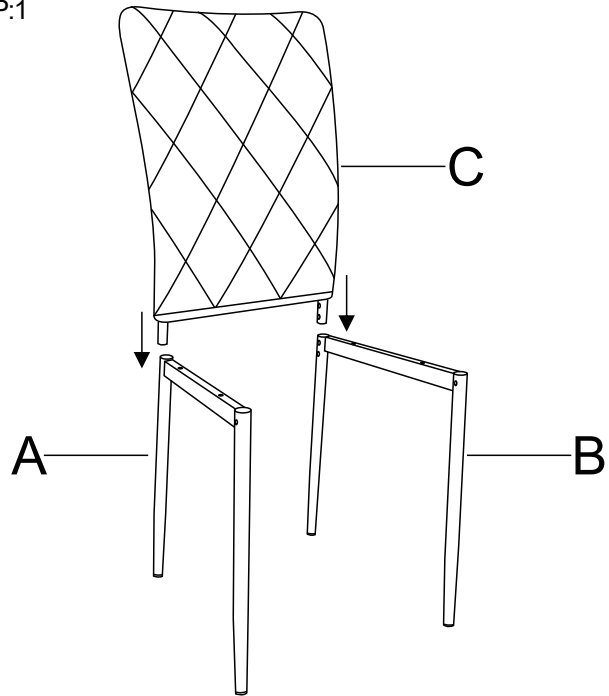
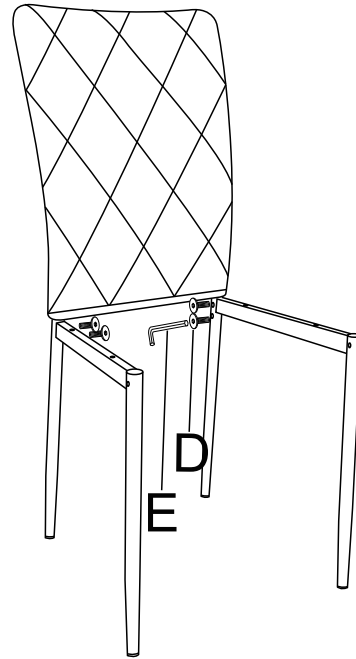


# ASSEMBLY INSTRUCTION

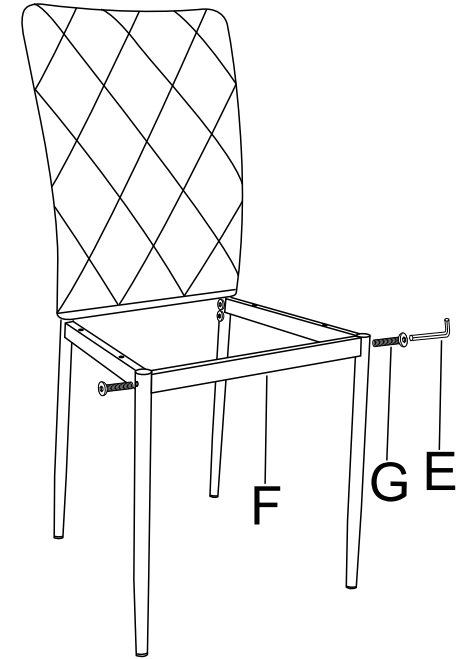
STEP:1



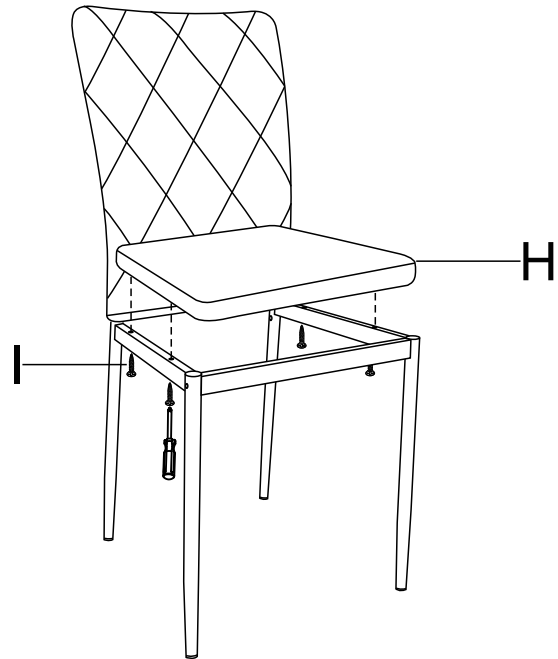
STEP:2



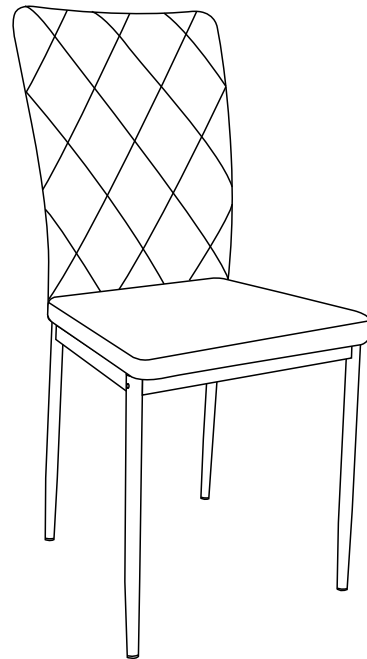
STEP:3


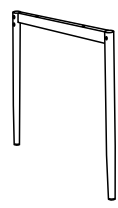
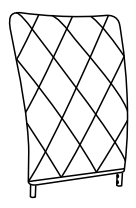
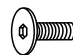


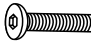




STEP:4



STEP:5



<p>A</p>  <p>x1</p>	<p>B</p>  <p>x1</p>	<p>C</p>  <p>x1</p>
<p>D</p>  <p>M6x13mm</p> <p>x4</p>	<p>E</p>  <p>x1</p>	<p>F</p>  <p>x1</p>
<p>G</p>  <p>M6x40mm</p> <p>x2</p>	<p>H</p>  <p>x1</p>	<p>I</p>  <p>M4x42mm</p> <p>x4</p>