

Installation & Assembly



BEFORE ASSEMBLY:



Read all instructions before assembly



Assemble on a soft, clean surface to avoid scratches



Keep children and small parts away during assembly



Do not use power tools



Do not fully tighten bolts until assembly is complete



Aluminum is soft. Overtightening may damage threads



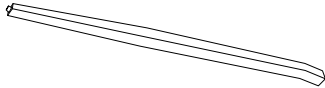
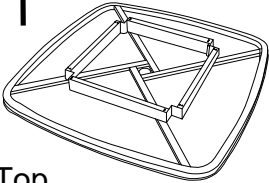
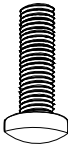
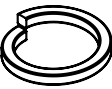
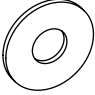

For residential outdoor use only



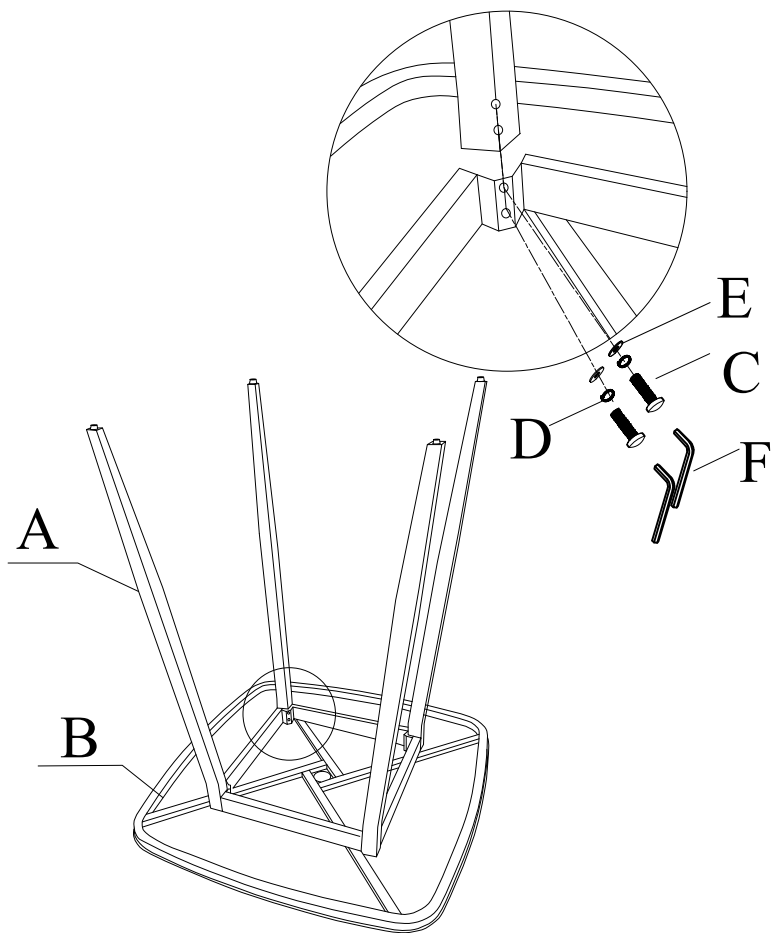
Store or cover the product when not in use



Keep this manual for future reference

<p>A x 4</p>  <p>Leg</p>	<p>B x 1</p>  <p>Table Top</p>
<p>C x 8</p>  <p>Bolt(M8*35)</p>	<p>D x 8</p>  <p>Spring Washer</p>
<p>E x 8</p>  <p>Washer</p>	<p>F x 1</p>  <p>Wrench</p>





STEP 1

Place all parts on a soft surface and check the parts list

Turn the Table Top (B) upside down on a flat surface

Attach the Legs (A) to the Table Top (B) with Hardware (C, D, E, F)

Once all legs are installed, tighten all Bolts (C) securely



Warning:

Use a properly weighted umbrella base (not included)
Secure the umbrella to prevent wobbling or tipping
Close and remove the umbrella during strong winds, storms,
or severe weather