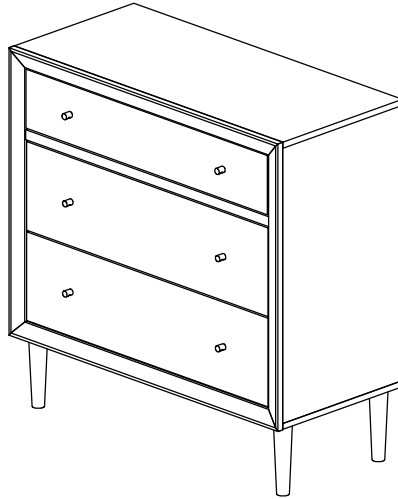
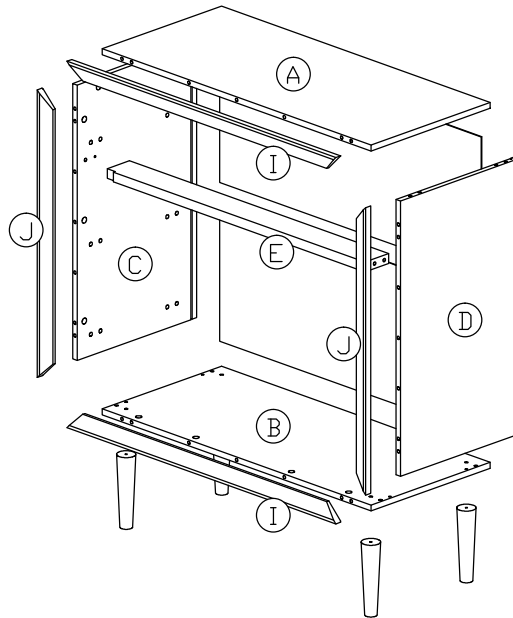
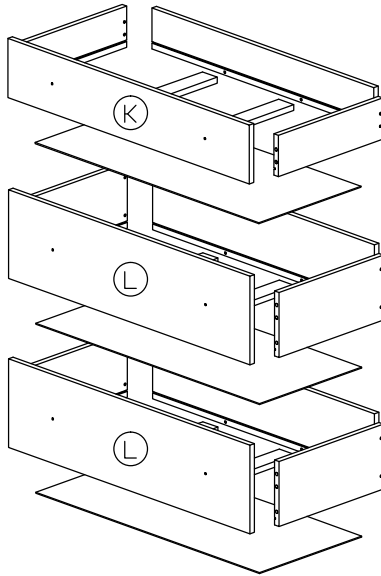


# Assembly Instruction



## Part List

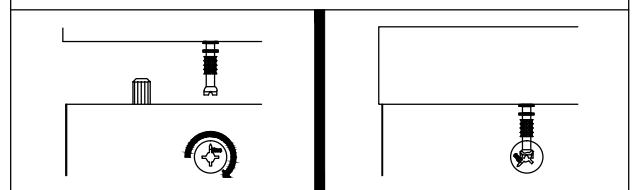


### Hardware List

No.	SHAPE	DESCRIPTION	Qty.
1		8x25mm Wood Dowel	34Pcs
2		15MM Titus Mini Fix	32Sets
3		M5x8mm Screw (Euro Screw)	12Pcs
4		M3.5x15mm Screw	36Pcs
5		M4x38mm Screw	18Pcs
6		M5x38mm Screw	4Pcs
7		M6x40mm Screw	4Pcs
8		L Key	1Pc
9		15mm Minifix Cap	6Pcs
10		Wooden Leg (Ø46x185mm)	4Pcs

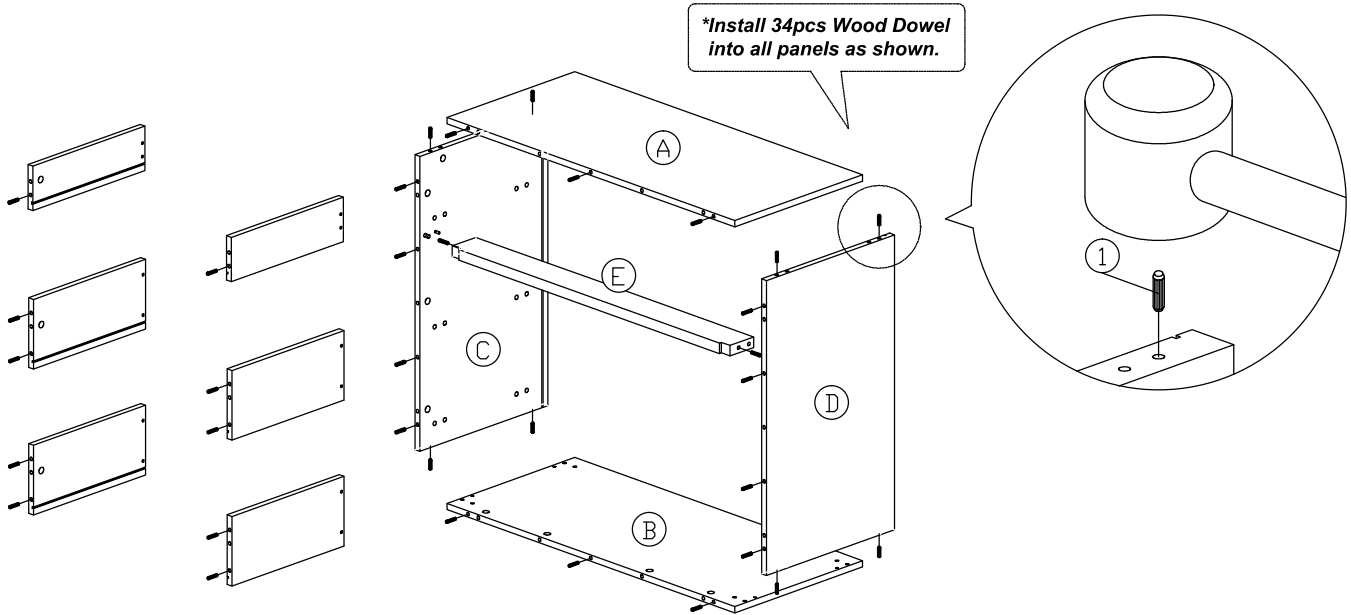
11		Drawer Slide = 350mm	3Sets
12		Wood Handle Ø15x20 M4x25mm (Handle Screw)	6Sets
13		PVC Drawer Pin	12Pcs

### Dowel / Cam - Lock Installation

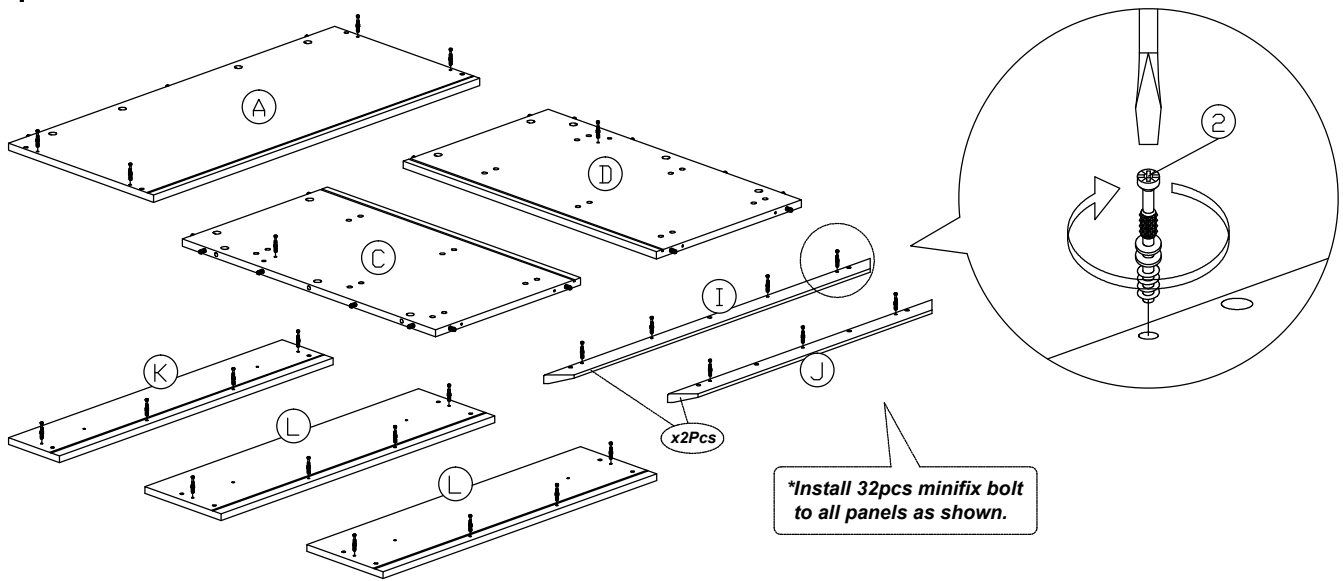


# Assembly Instruction

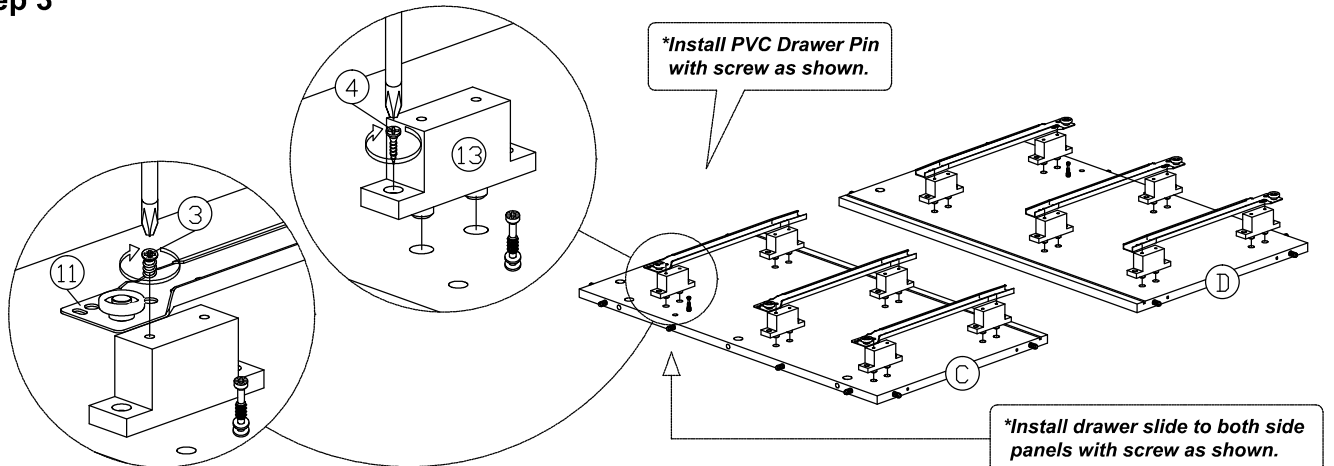
## Step 1



## Step 2

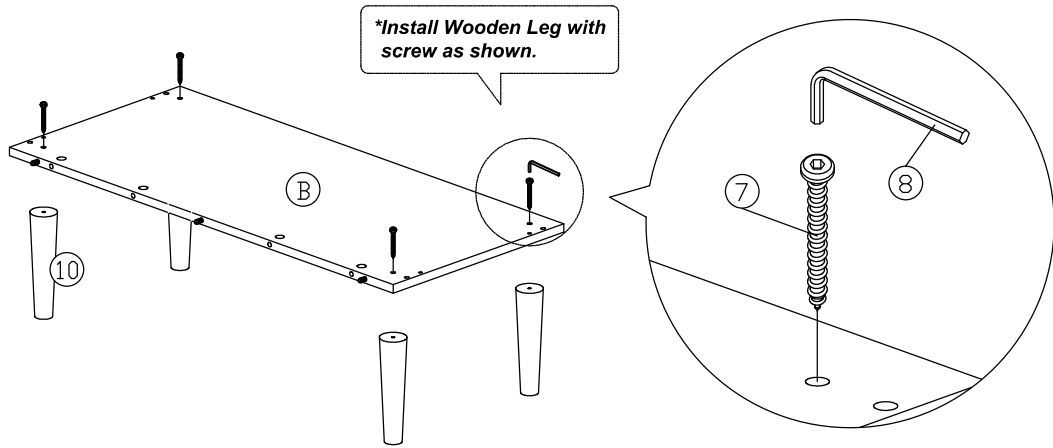


## Step 3

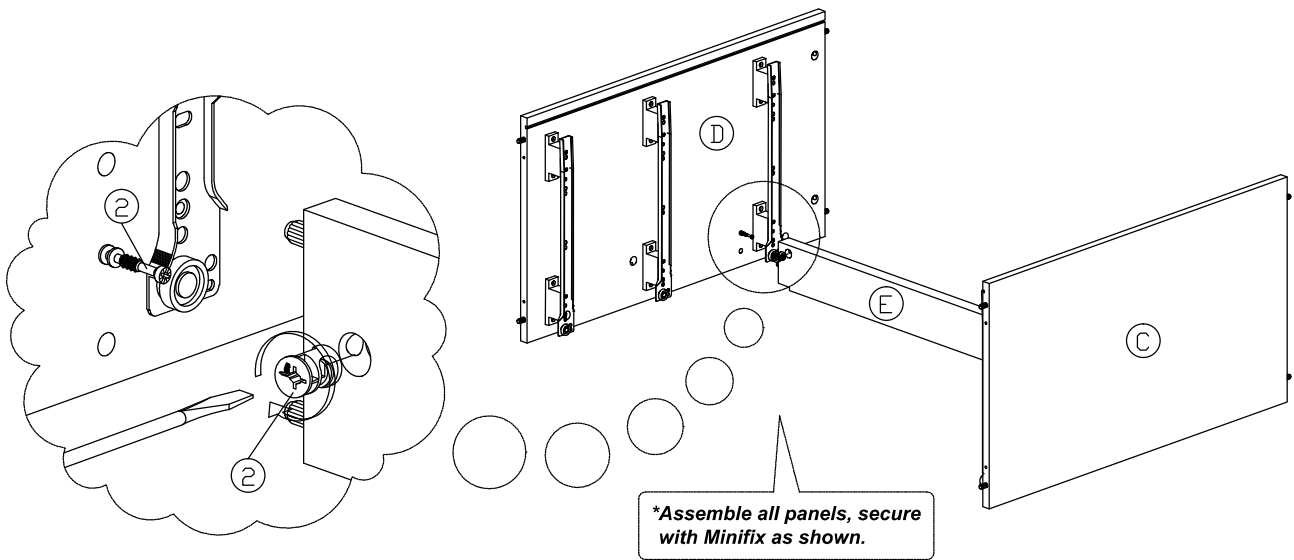


# Assembly Instruction

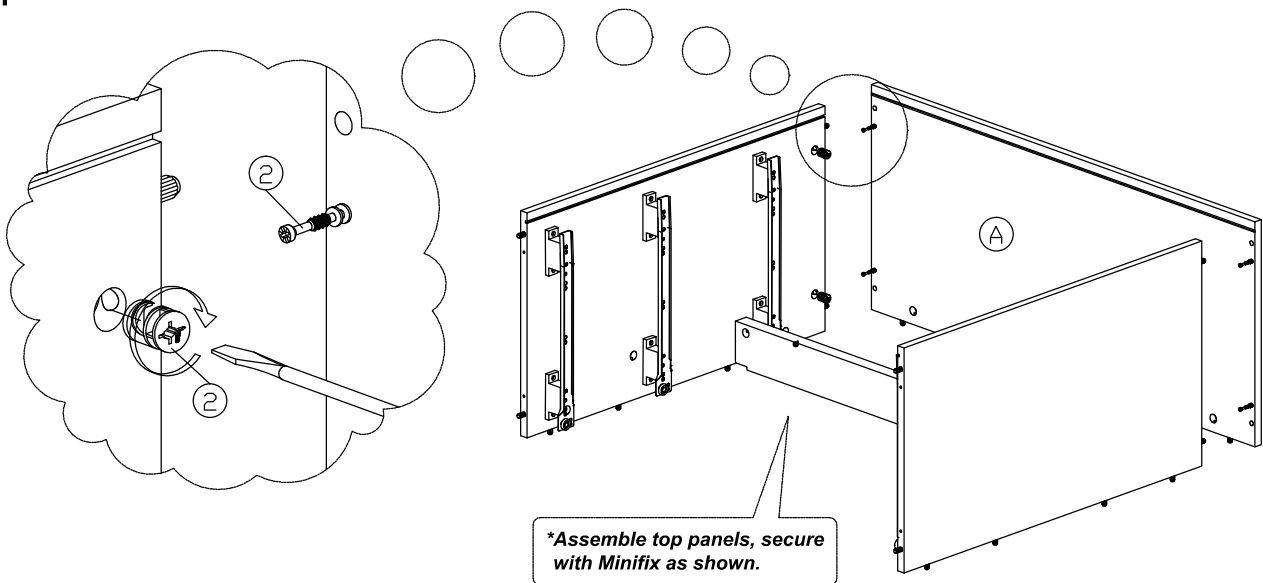
## Step 4



## Step 5



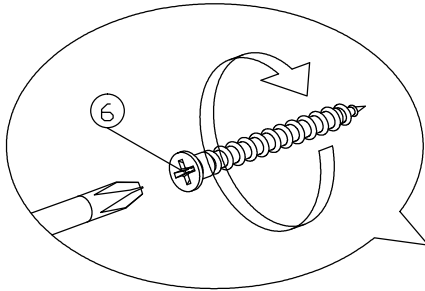
## Step 6



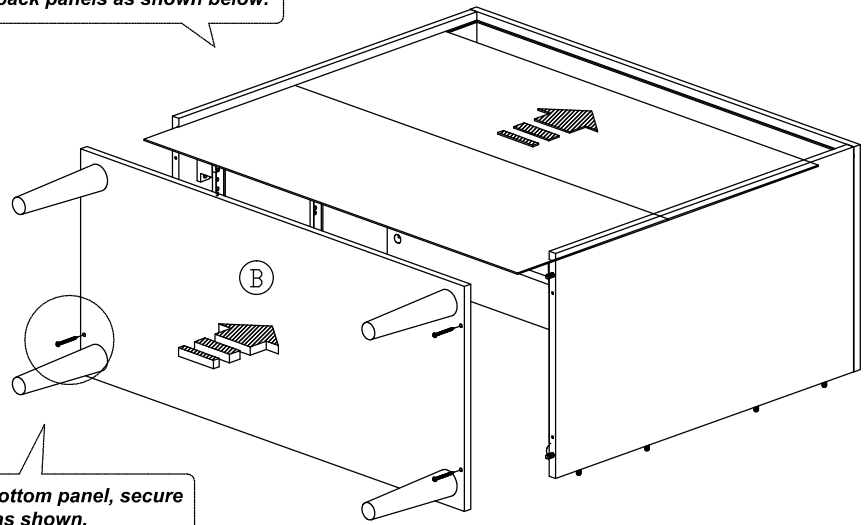
# Assembly Instruction

## Step 7

*\*Insert back panels as shown below.*

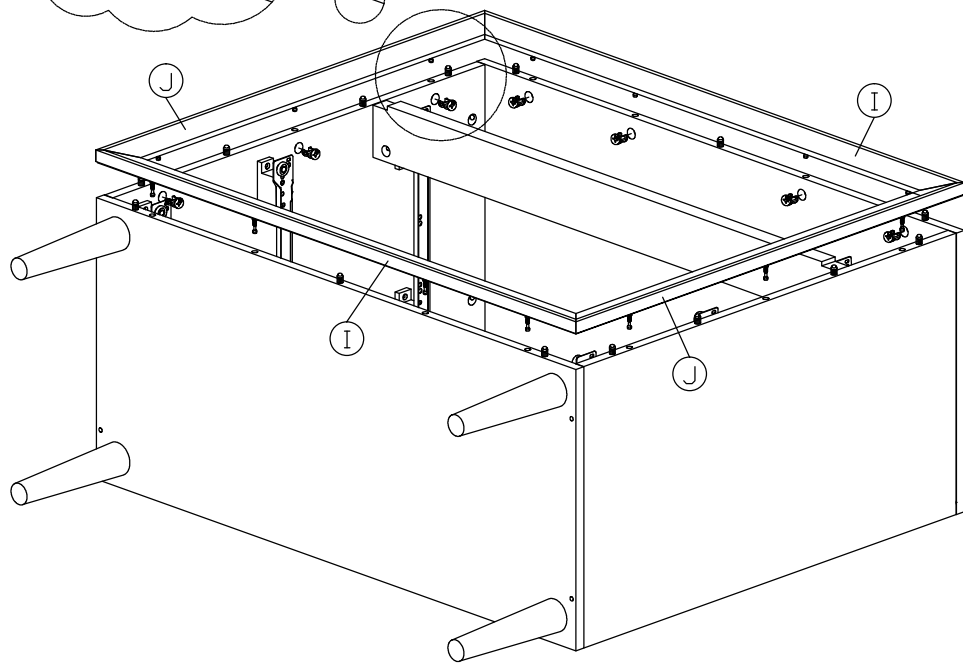
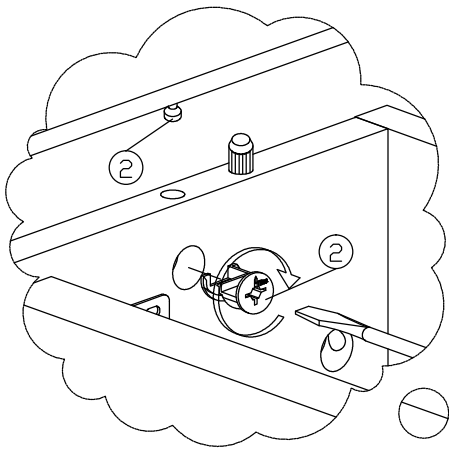


*\*Assemble bottom panel, secure with screw as shown.*



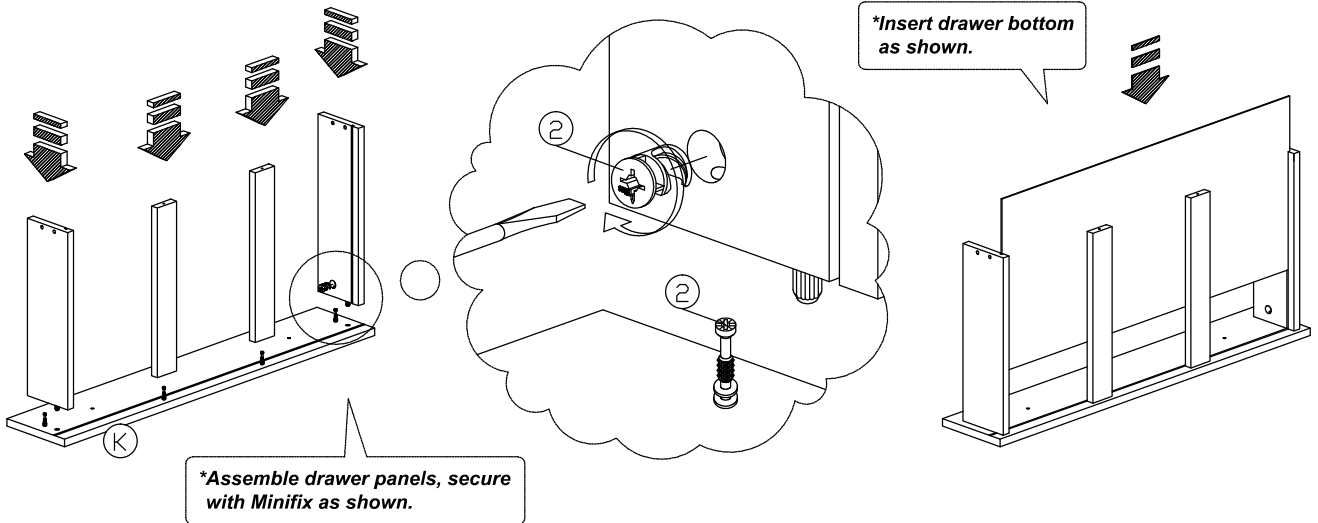
## Step 8

*\*Assemble all panels, secure with Minifix as shown.*

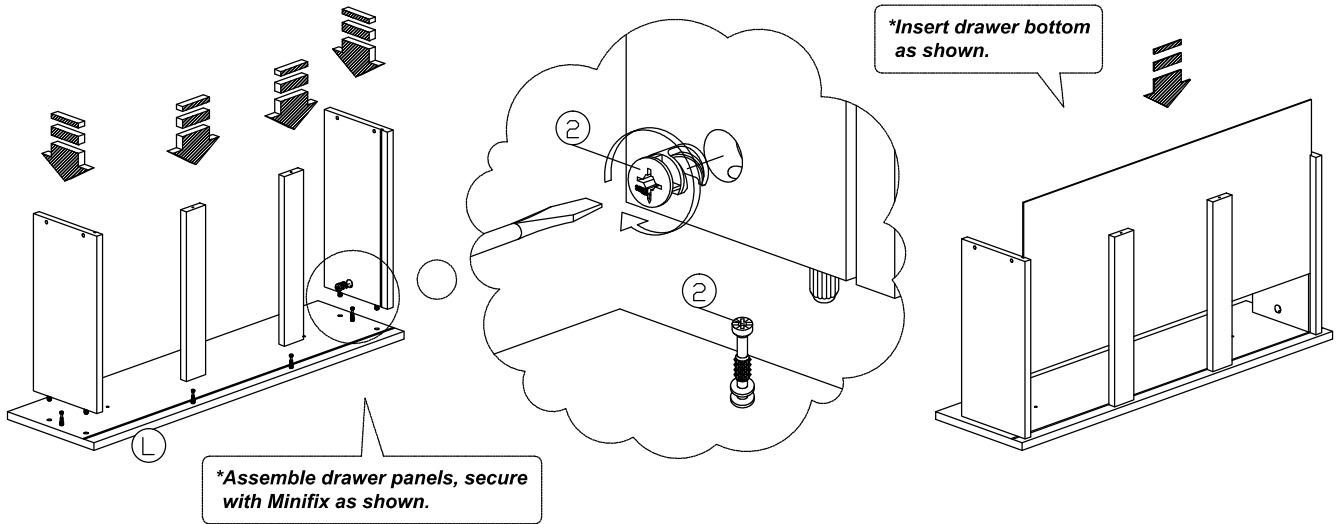


# Assembly Instruction

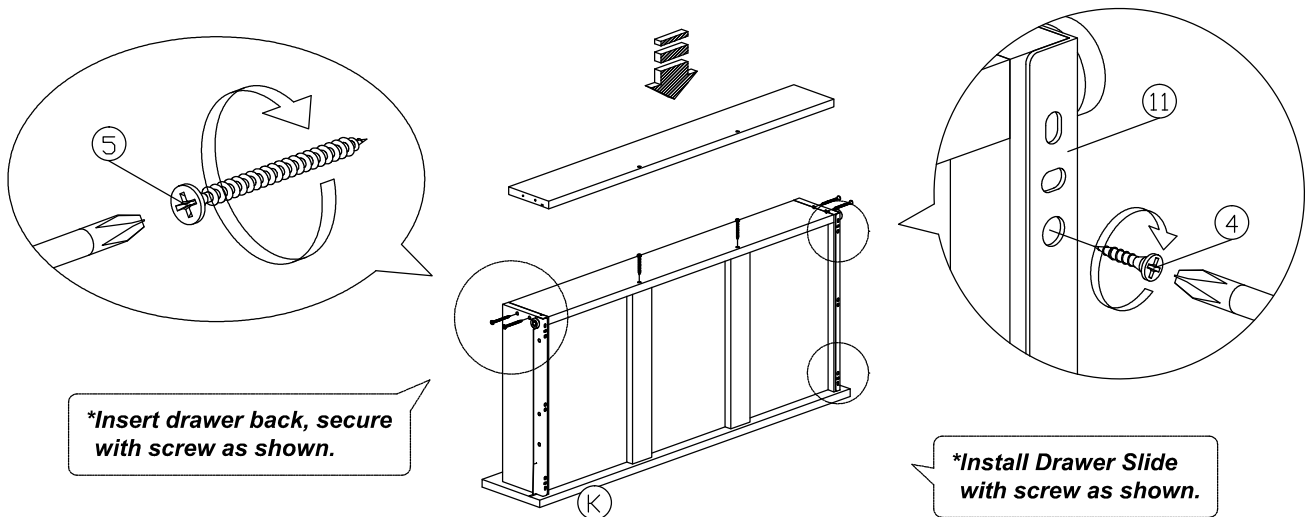
## Step 9



## Step 10

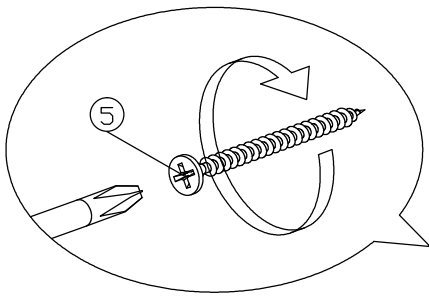


## Step 11

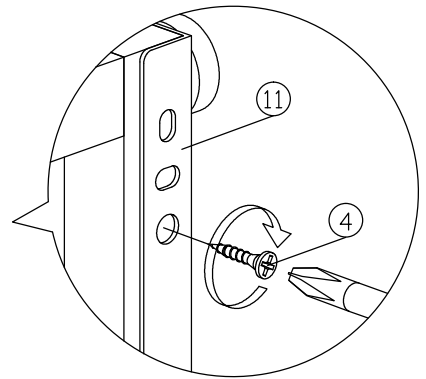
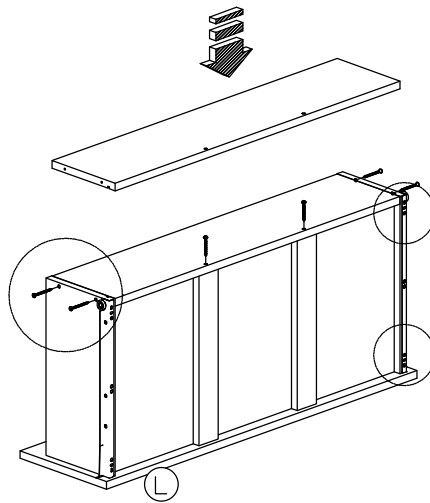


# Assembly Instruction

## Step 12

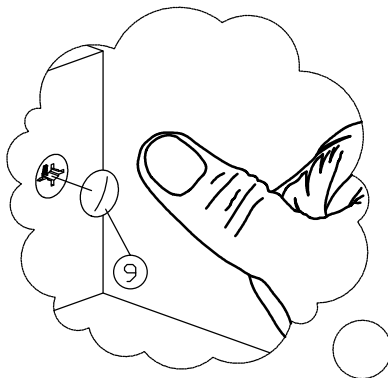


*\*Insert drawer back, secure with screw as shown.*

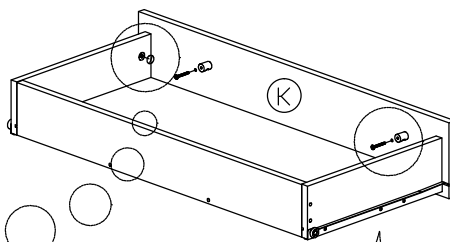


*\*Install Drawer Slide with screw as shown.*

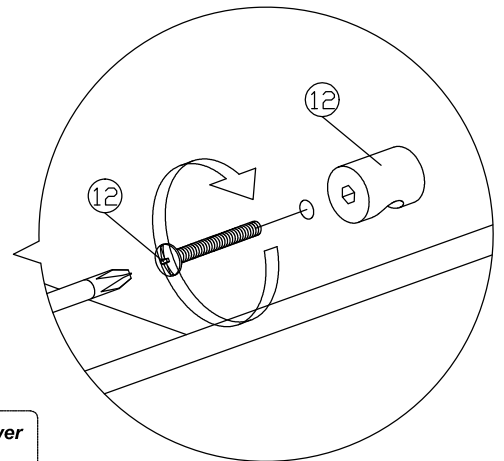
## Step 13



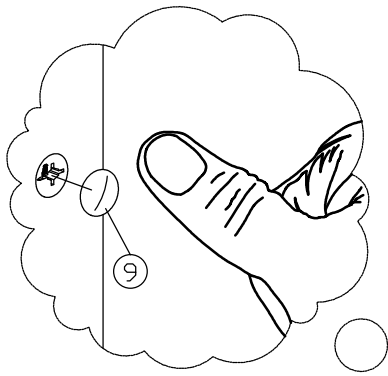
*\*Attach Minifix Cap to both drawer side panels as shown.*



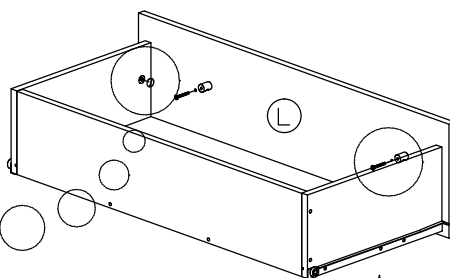
*\*Install Handle to drawer with screw as shown.*



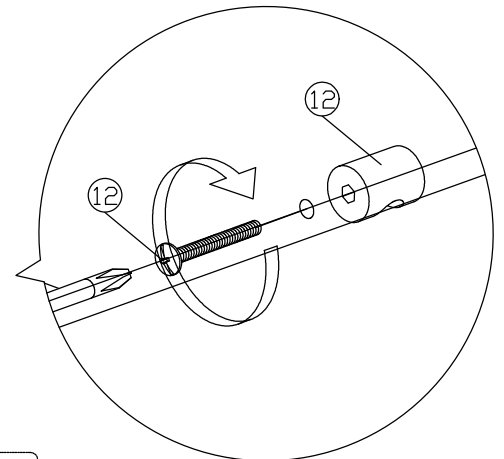
## Step 14



*\*Attach Minifix Cap to both drawer side panels as shown.*



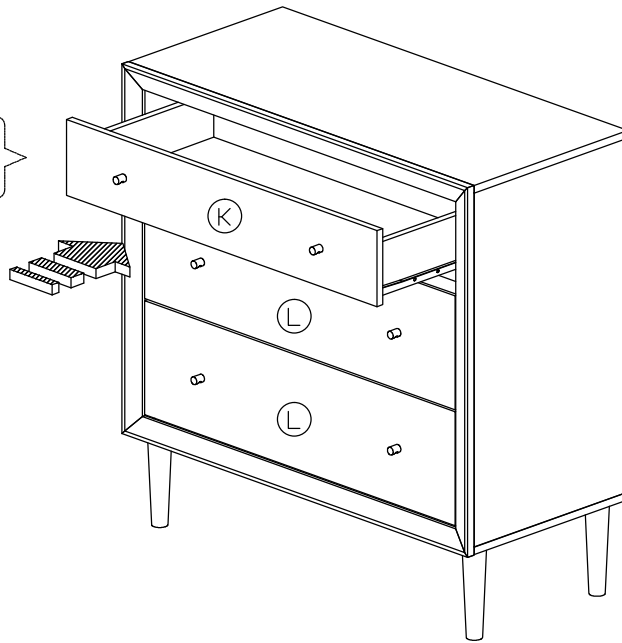
*\*Install Handle to drawer with screw as shown.*



# Assembly Instruction

## Step 15

*\*Insert all drawers into cabinet as shown.*



## Complete

