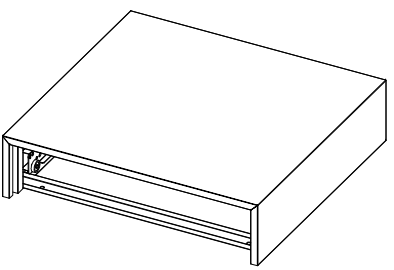


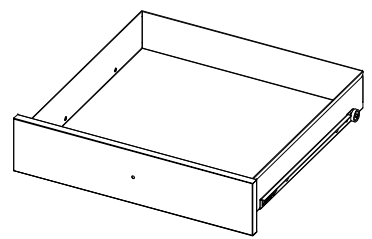
1

x1



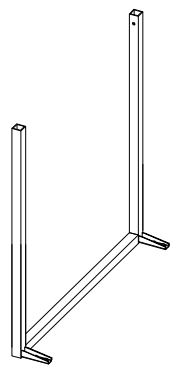
2

x1



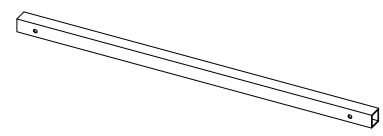
3

x2



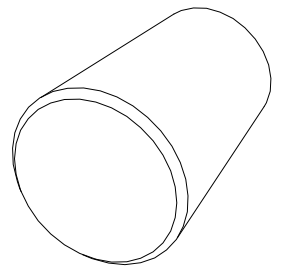
4

x2



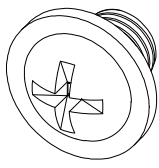
a

x1



b

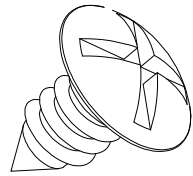
x1



M4×4

c

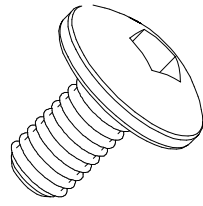
x4



M5×12

d

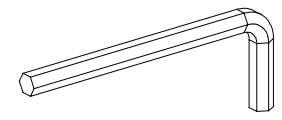
x4



M6×10

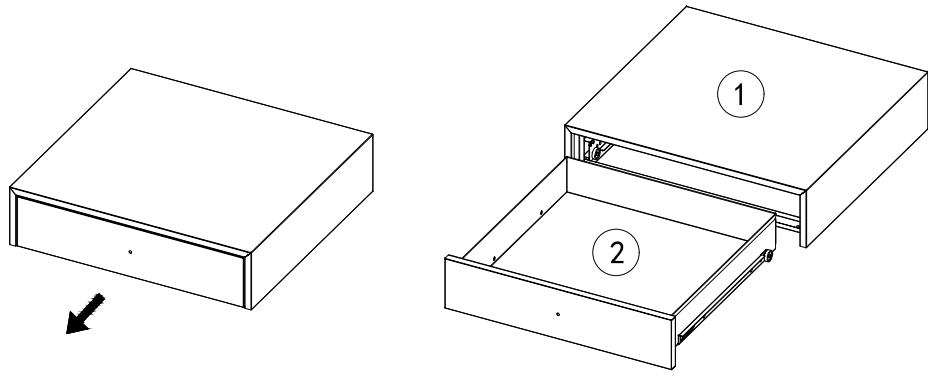
e

x1

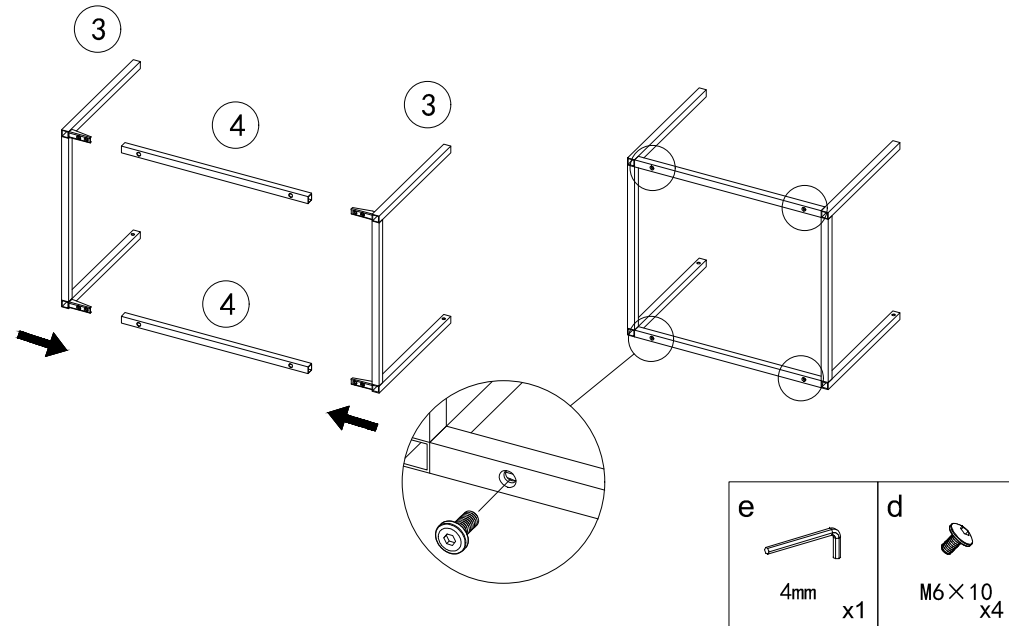


4 mm

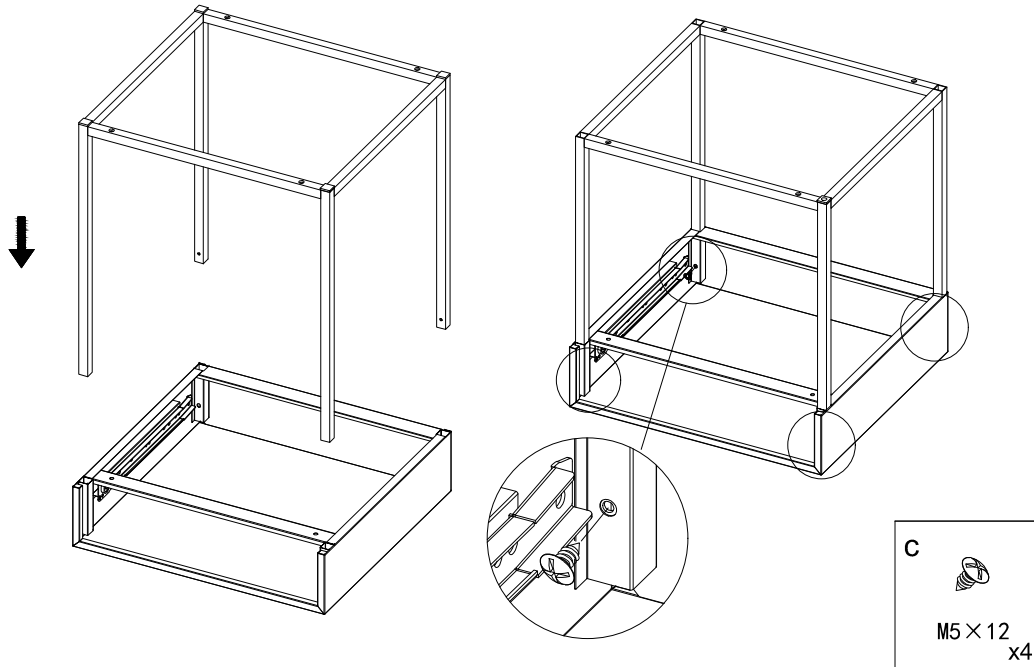
1



2



3



4

