

# Interior Door Care



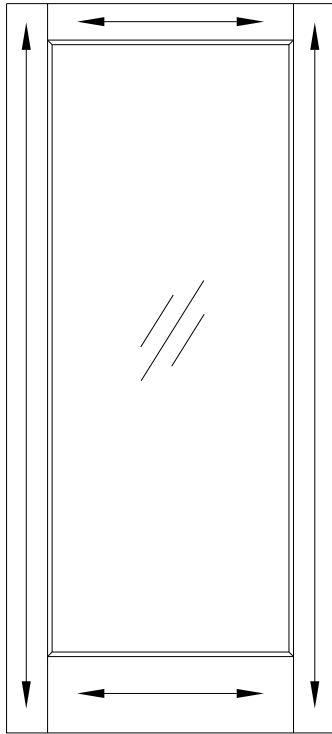
In case of questions or missing parts, please contact  
✉ Dooraftersale@gmail.com

Scan Here For Latest Version  
(DS01-door slab)

## Finishing Instructions

Follow instructions here on finishing your new interior door. Remember to finish all six sides and follow the appropriate instructions below based on your desired finish type.

Figure 1



**Note – Always follow the stain manufacturer’s instructions.**

## Preparing Your New Door For Finishing

1. Mask or remove any hardware (hinges, handles, etc.). Mask glass (if applicable) before painting or staining.
2. Sand the entire surface lightly using 5/0 sandpaper (180 grit) before you apply first coat of finish. Always sand in the direction of the wood grain, see Figure 1.
3. Wipe dust and sand grit from the door with clean cloth. Avoid using abrasive or caustic cleaners.

## Staining/Finishing Your Door

1. Complete steps 1-3 for Preparing Your New Door For Finishing. Apply a base coat of pre-sealer on all six sides of door before staining (This is important especially on pine and maple doors).
2. Stain door to desired color following stain manufacturer’s instructions. Always stain in the direction of the wood grain, see Figure 1.
3. For best results, apply at least two clear top coats over stain, sanding lightly between coats. Use 6/0 (220 grit) or finer sandpaper. Make sure that stain and top coat are compatible materials.

## Care and Maintenance

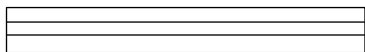
- Clean glass regularly or as needed
- Each year try to wipe down your doors to remove any dust or debris buildup
- Finishing wear: Re-paint or top coat (stained doors) as you notice slight fading or wear on your original finish applied

## Painting Primed Door

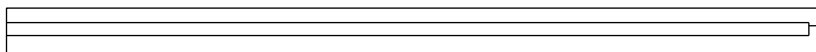
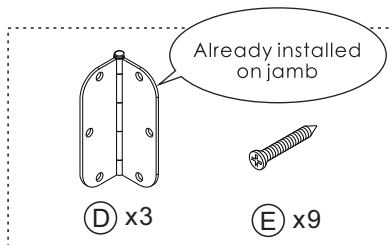
1. Complete steps 1-3 for Preparing Your New Door For Finishing. Although primed door does not require sanding prior to finishing, light sanding (180 grit) will allow for optimum adhesion of paint.
2. Finish the door with two coats of latex, oil-base or lacquer paint. Make sure to allow door to completely dry between coats on all six sides of door. Always paint in the direction of Figure 1.

# Pre-hung Door Installation Guide

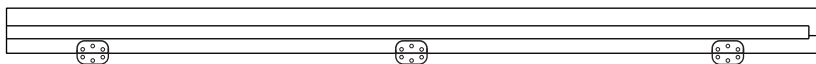
## What's included



Ⓒ x1



Ⓑ x1



Ⓐ x1

## Tools Required

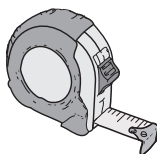
Speed Square



Phillips Screwdriver



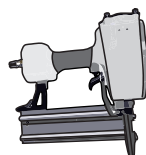
Tape Measure



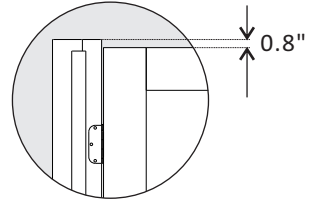
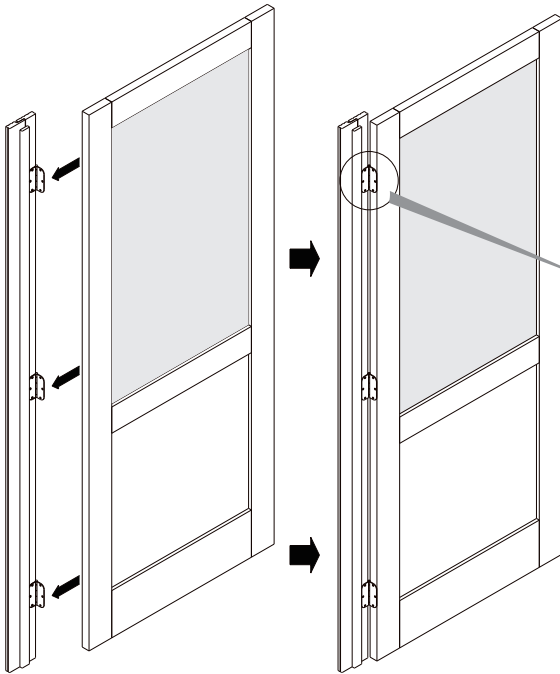
Pencil



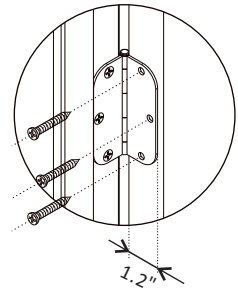
Nail Gun



## Step ① Attach Door to Jamb



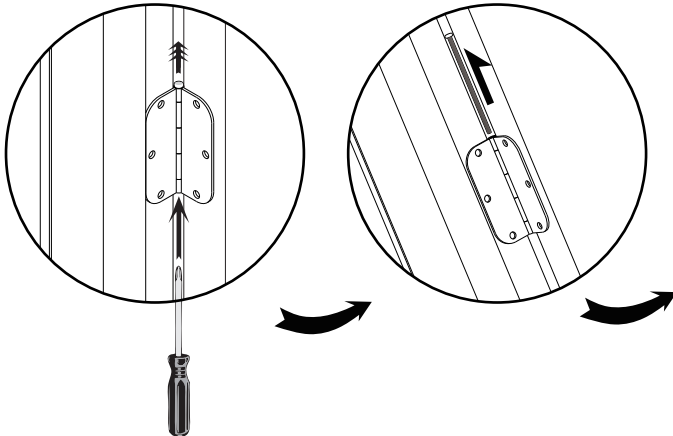
Pro tip: Leave a 0.8" space from the top of the jamb to the top of the door. This space is for the upper jamb.



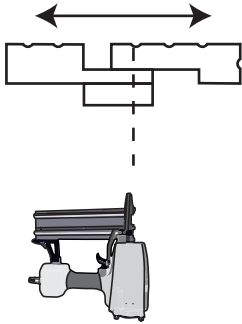
Pro tip: The edge of the hinge should be 1.2 inches from the edge of the door. This will leave enough room for the door to swing. There's no need to groove on the door as we have already taken into consideration the thickness of the hinge.

## Step ② De-attach Door and Jamb

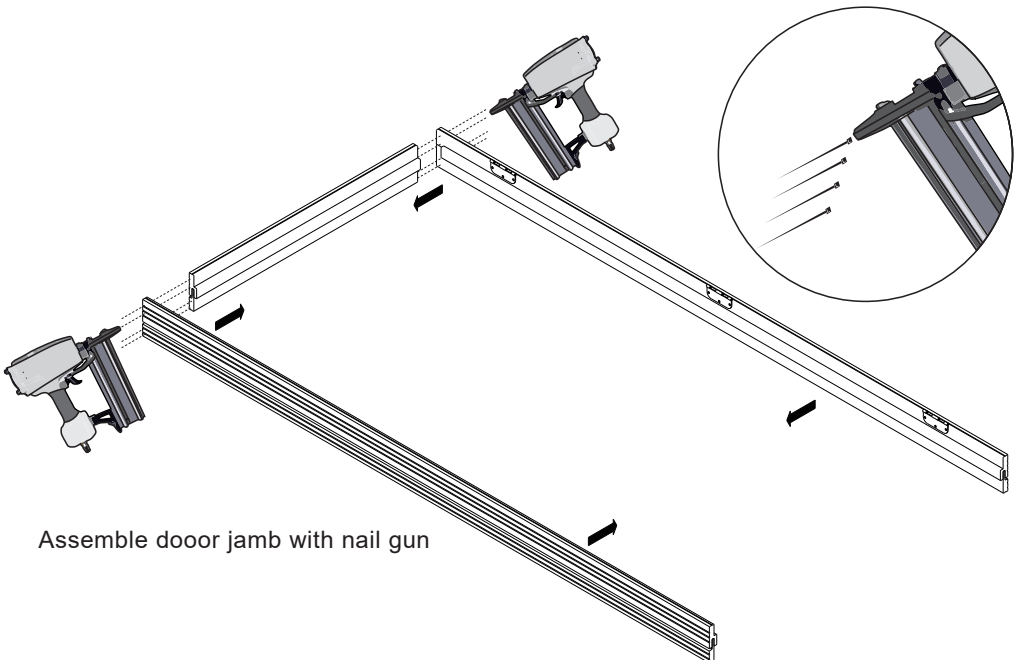
Pro tip: A solid door is heavy, so we advise you to install the door jamb first and then attach the door for safety. It's easier to re-attach the door when half of the hinge has already been installed on the door.



### Step ③ Assemble Jamb Kit



Our door frame is adjustable in width to fit different wall thicknesses. Please adjust the frame to the desired width and secure it with a nail gun. Replicate this step for all 3 frames



Assemble door jamb with nail gun

Step ④ Install Jamb to the Opening, and Re-attach the Door

