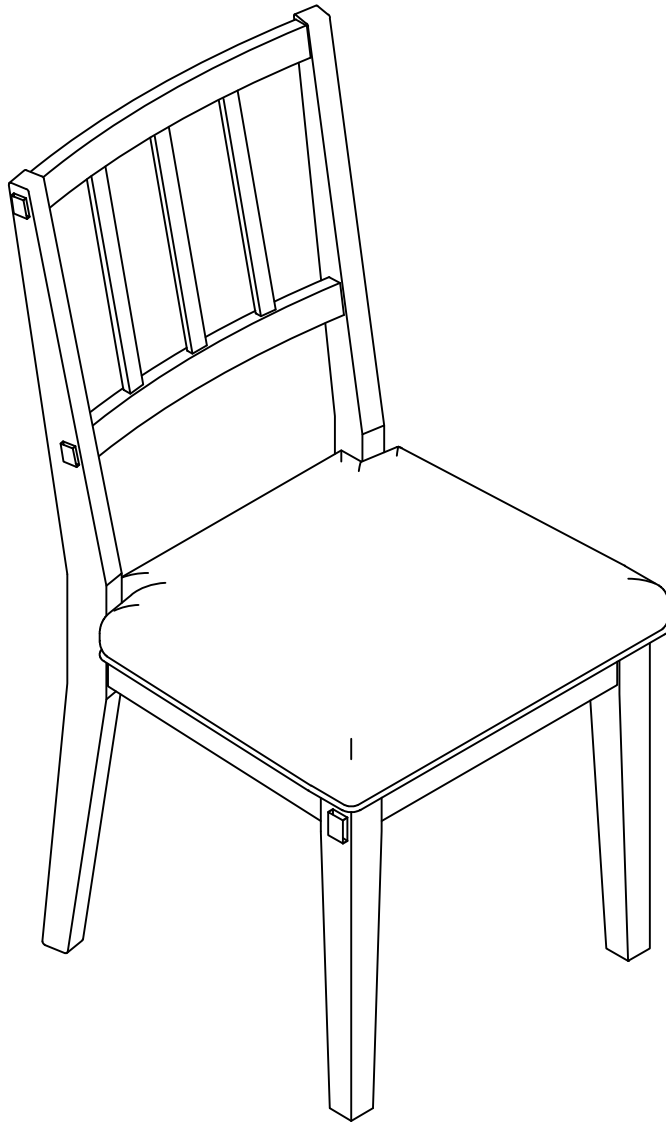


ASSEMBLY INSTRUCTIONS

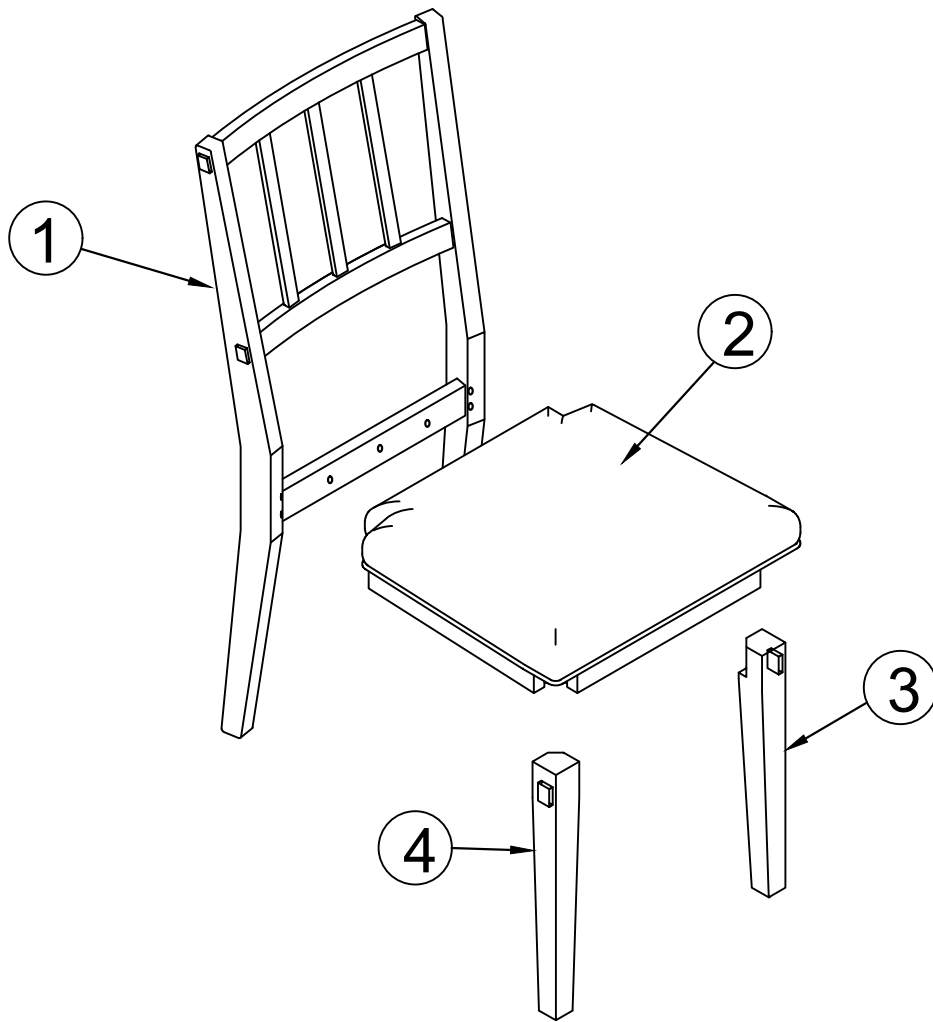
DINING CHAIR



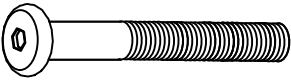
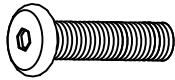
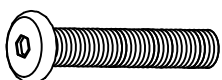
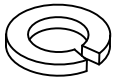
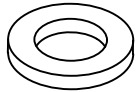

N715P336320

IMPORTANT NOTE :

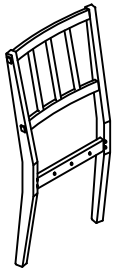
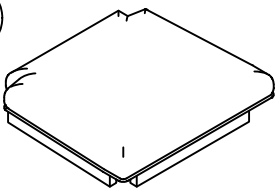


- ① PLACE ALL PARTS ON A CLEAN AND SMOOTH SURFACE SUCH AS A RUG OR CARPET TO AVOID THE PARTS FROM BEING SCRATCHED.
- ② BEFORE YOU BEGIN, KINDLY FOLLOW THE ASSEMBLY INSTRUCTIONS STEP BY STEP.
- ③ DO NOT TIGHTEN ALL SCREWS AND BOLTS UNTIL THE CHAIR IS FULLY SET-UP.



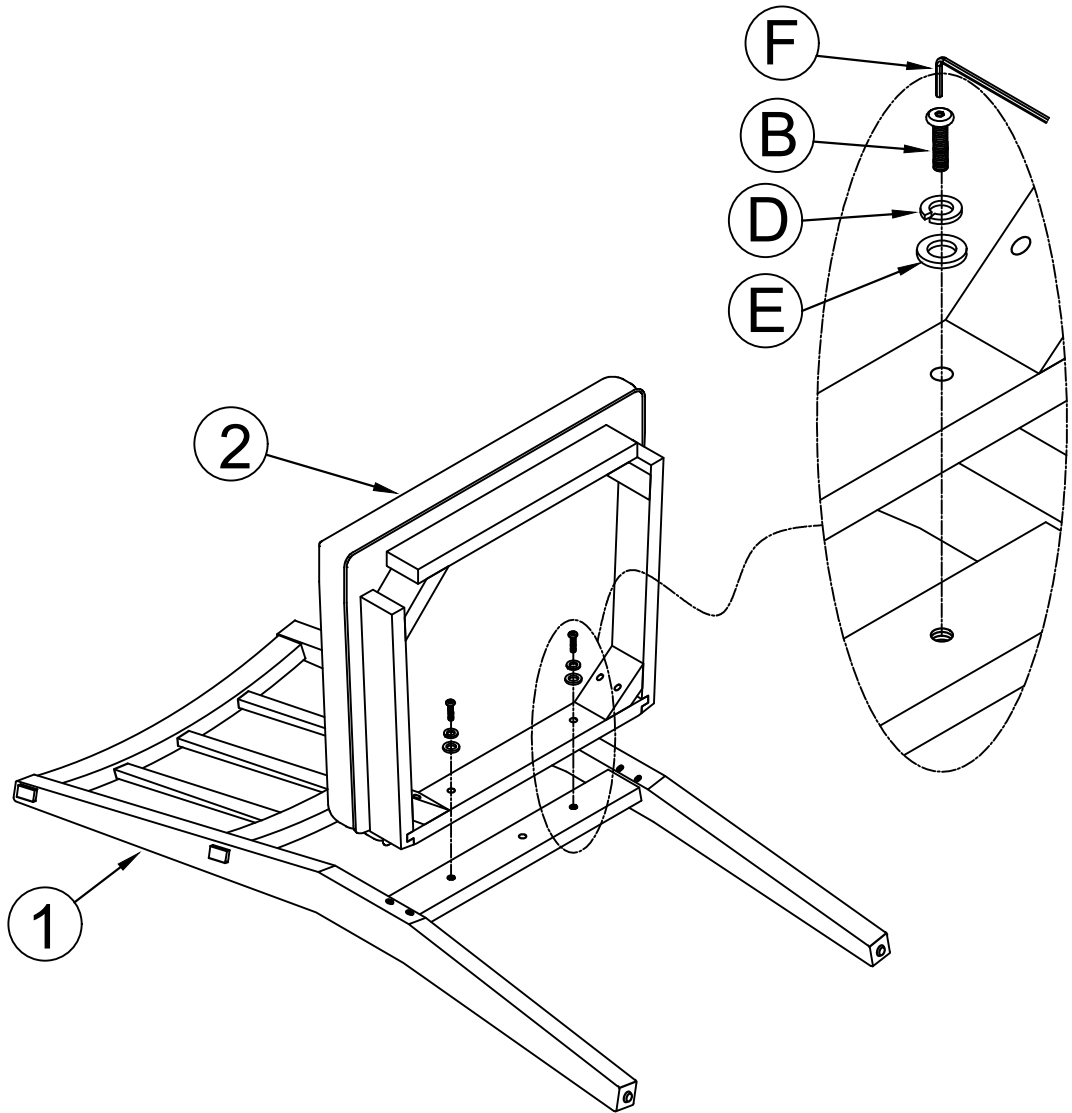
Hardware List For One Chair

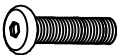



<p>A</p>  <p>Ø1/4" x 75mm BOLT (4PCS)</p>	<p>B</p>  <p>Ø1/4" x 38mm BOLT (2PCS)</p>
<p>C</p>  <p>Ø1/4" x 60mm BOLT (4PCS)</p>	<p>D</p>  <p>Ø1/4" x 11mm LOCK WASHER (10PCS)</p>
<p>E</p>  <p>Ø1/4" x 18mm FLAT WASHER (10PCS)</p>	<p>F</p>  <p>4MM ALLEN (1PC)</p>

Part List For One Chair

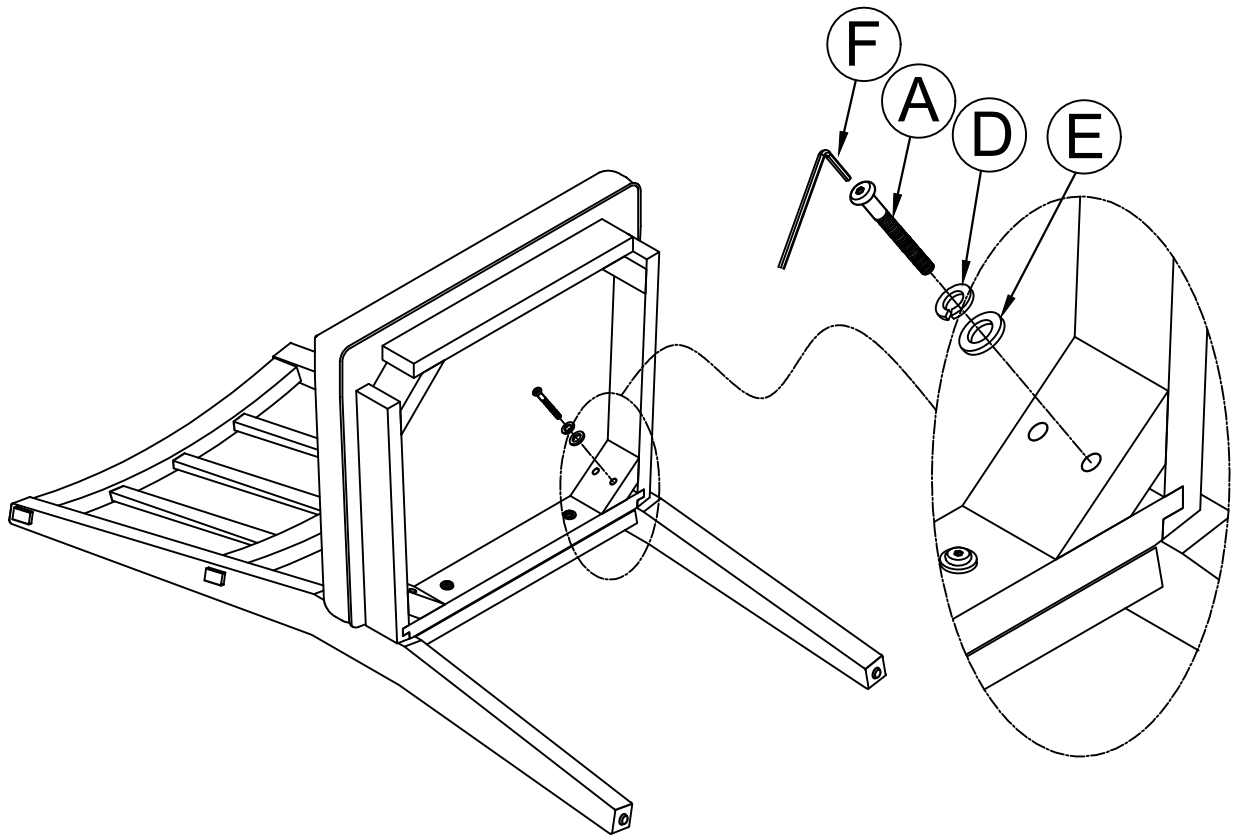
			
<p>1 BACK FRAME (1PC)</p>	<p>2 SEAT CUSHION (1PC)</p>	<p>3 FRONT LEG 1 (1PC)</p>	<p>4 FRONT LEG 2 (1PC)</p>

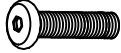



STEP 1:



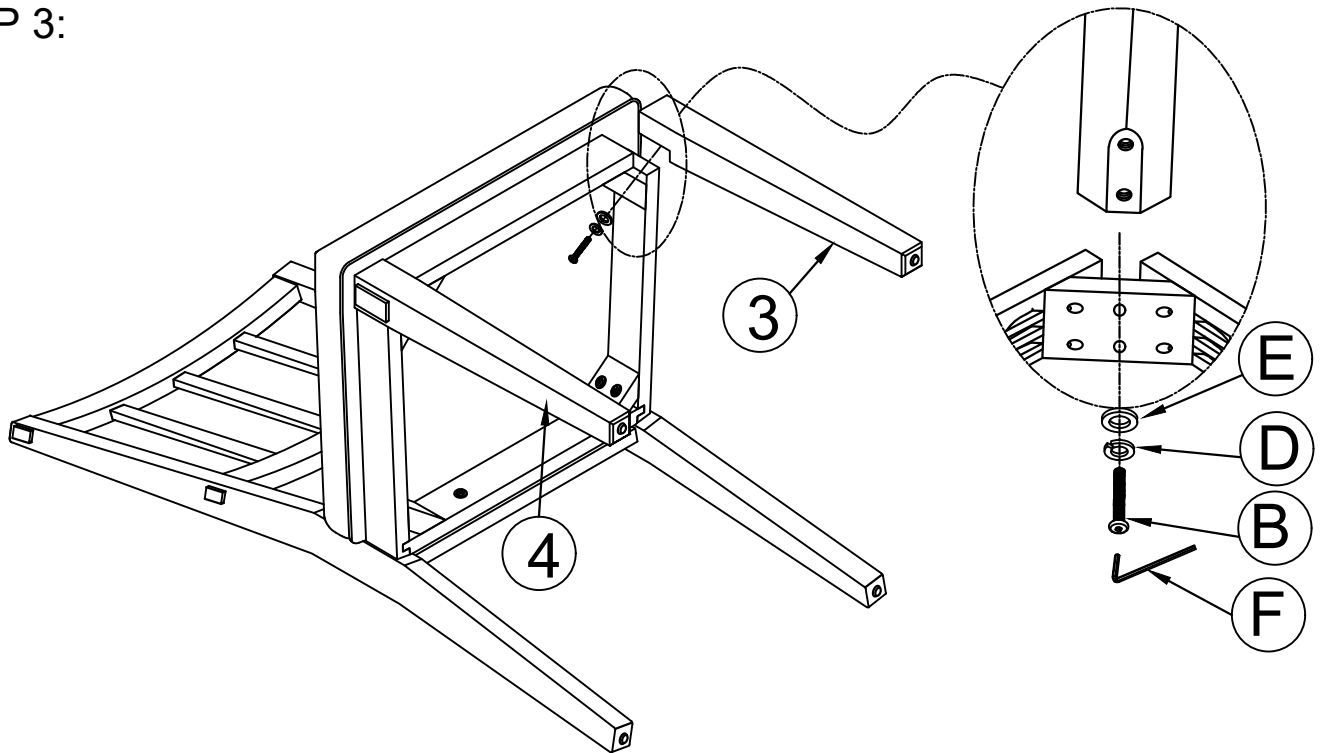
B	Ø1/4"x38mm		2pcs	D	Ø1/4"x11mm		2pcs
E	Ø1/4"x18mm		2pcs	F	4mm		1pc

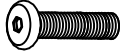



STEP 2:



A	Ø1/4"x75mm		4pcs	D	Ø1/4"x11mm		4pcs
E	Ø1/4"x18mm		4pcs	F	4mm		1pc

STEP 3:



B	Ø1/4"x60mm		4pcs	D	Ø1/4"x11mm		4pcs
E	Ø1/4"x18mm		4pcs	F	4mm		1pc

STEP 4:

