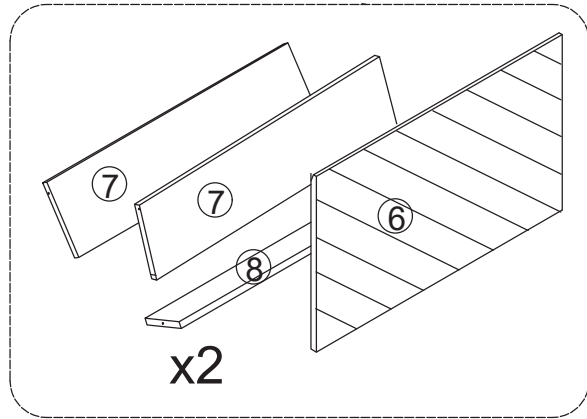
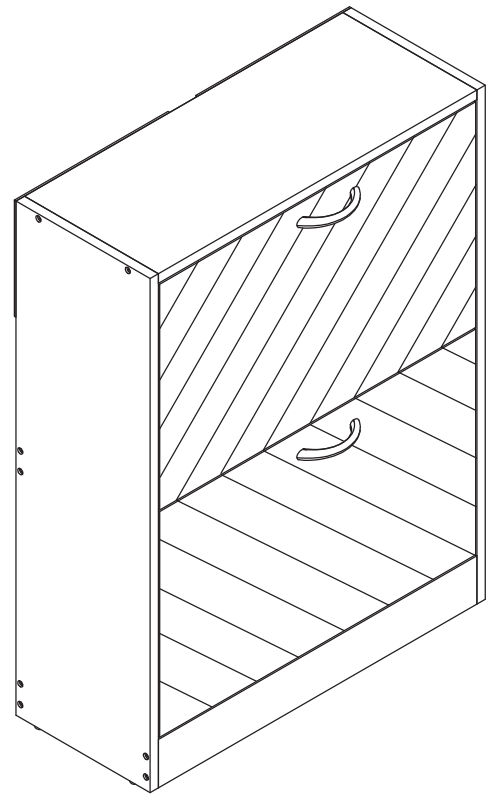
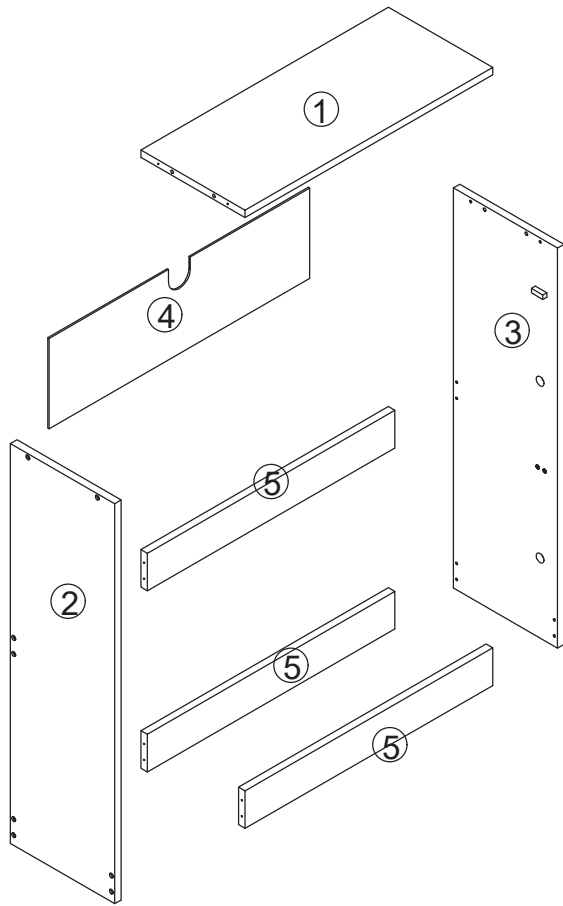














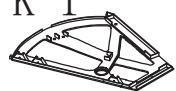
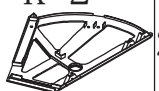


ASSEMBLY INSTRUCTIONS

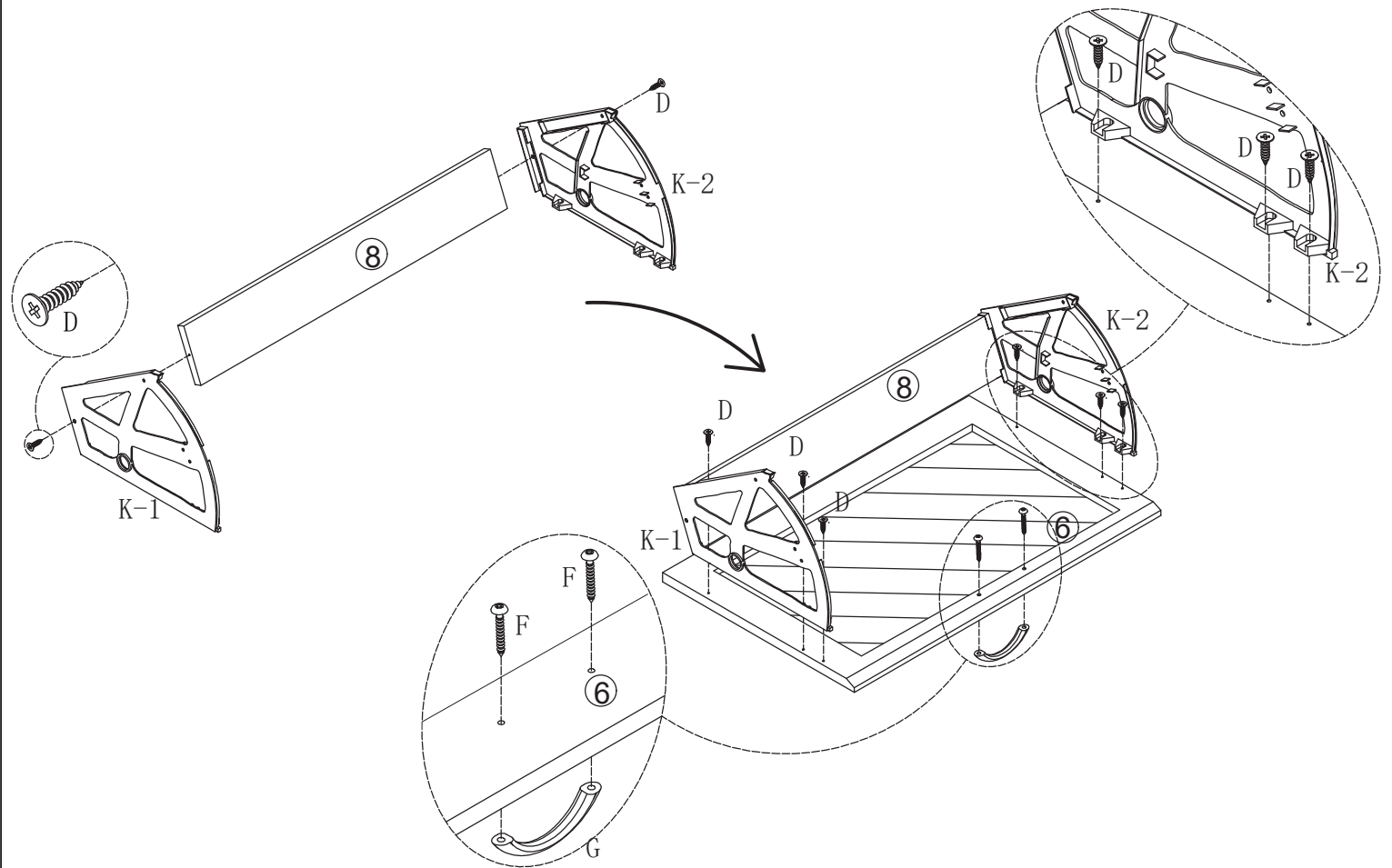


Hardware:

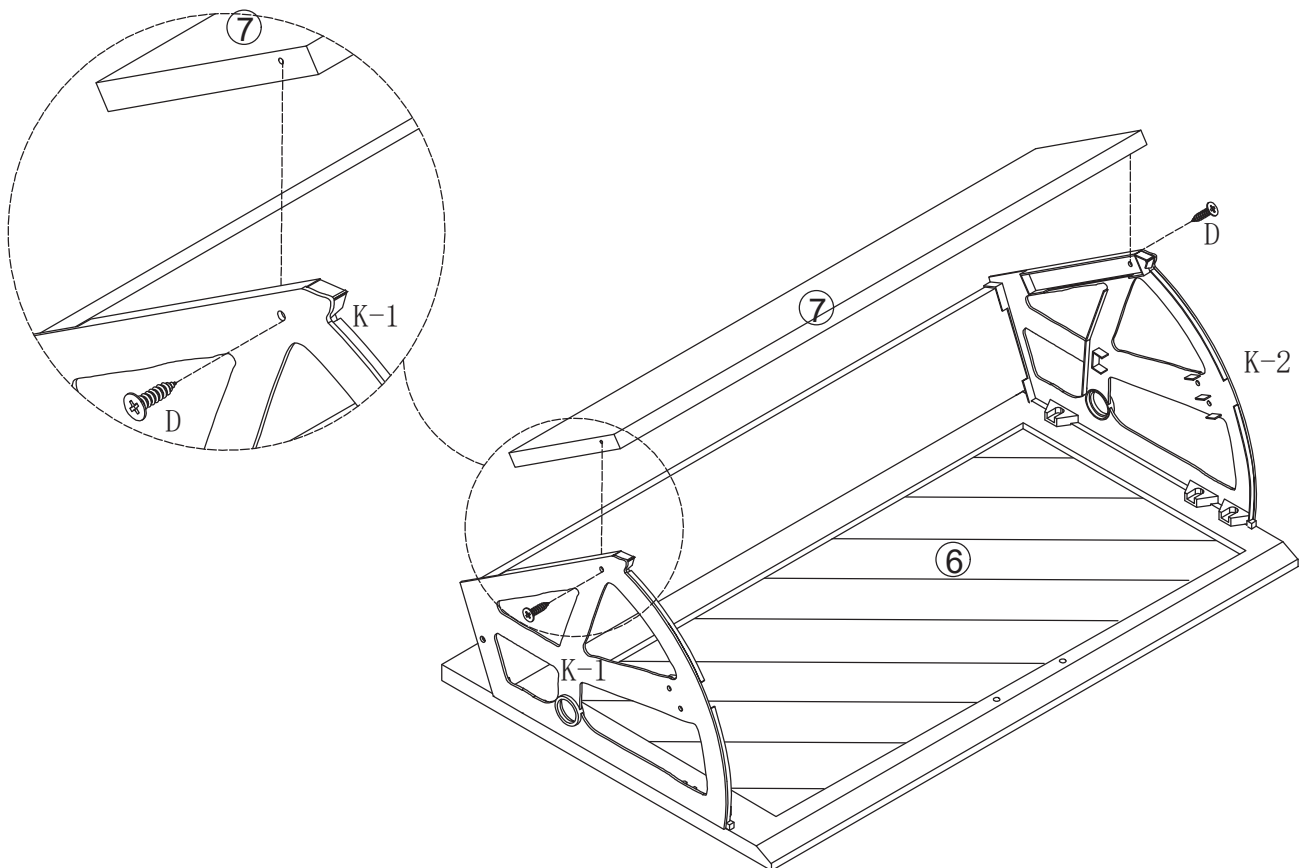
Letter	Draw	Number
A	 $\phi 6 \times 30 \text{mm}$	4pcs
B	 $\phi 4 \times 40 \text{mm}$	17pcs
C	C-1  C-2  C-3 	4sets
D	 $\phi 3.5 \times 14 \text{mm}$	24pcs
E	 $\phi 4 \times 10 \text{mm}$	4pcs
F	 $\phi 4 \times 20 \text{mm}$	4pcs
G		2pcs

Letter	Draw	Number
H		4pcs
I		10pcs
J	J-1  J-2  J-3 	1set
K	K-1  K-2 	2sets

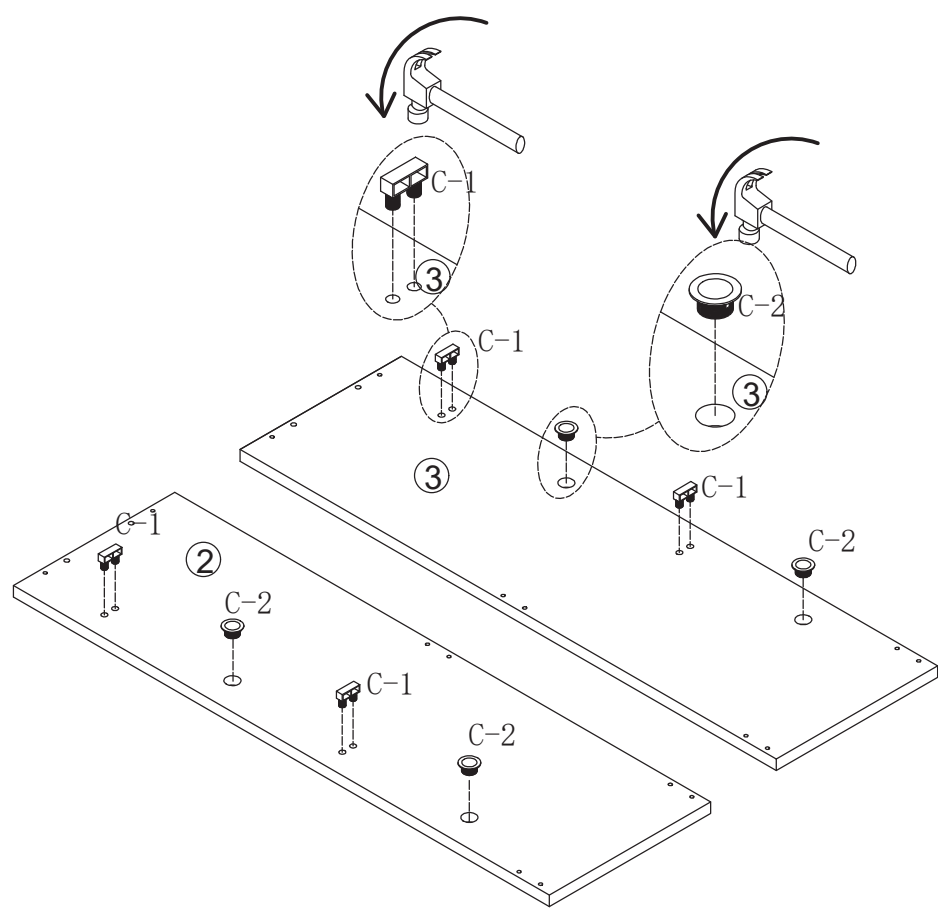
Step1 x2



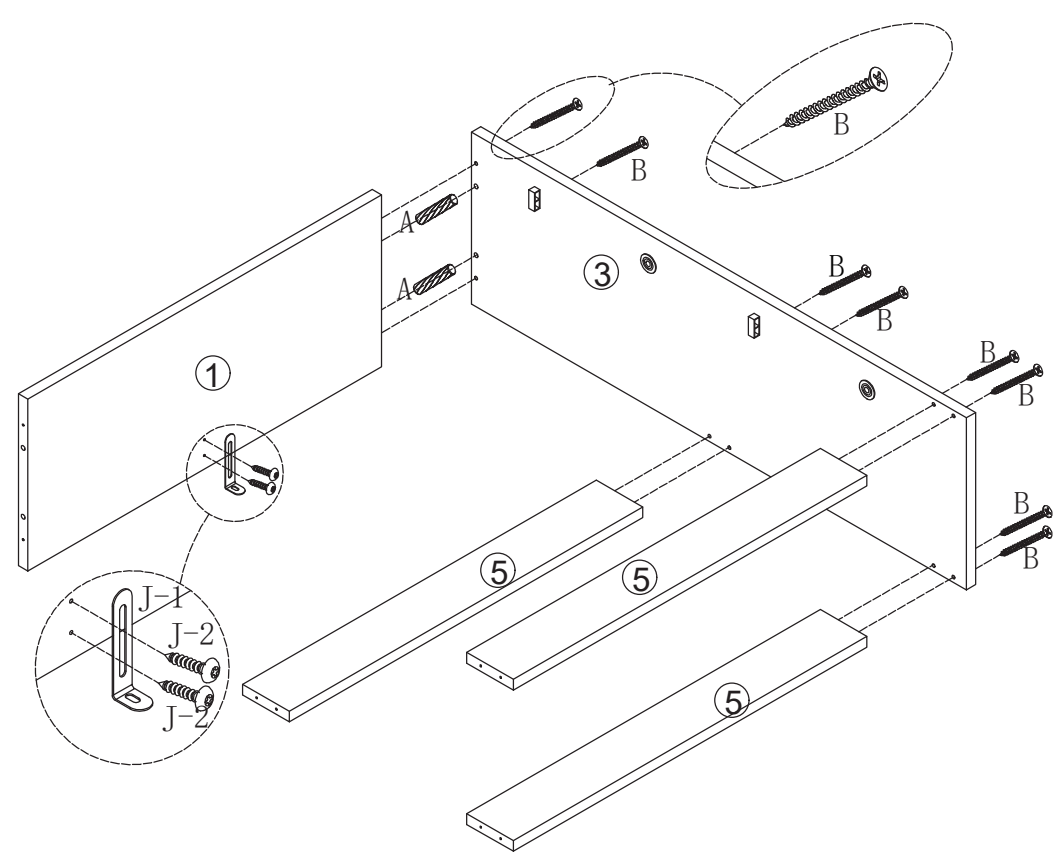
Step2 x2



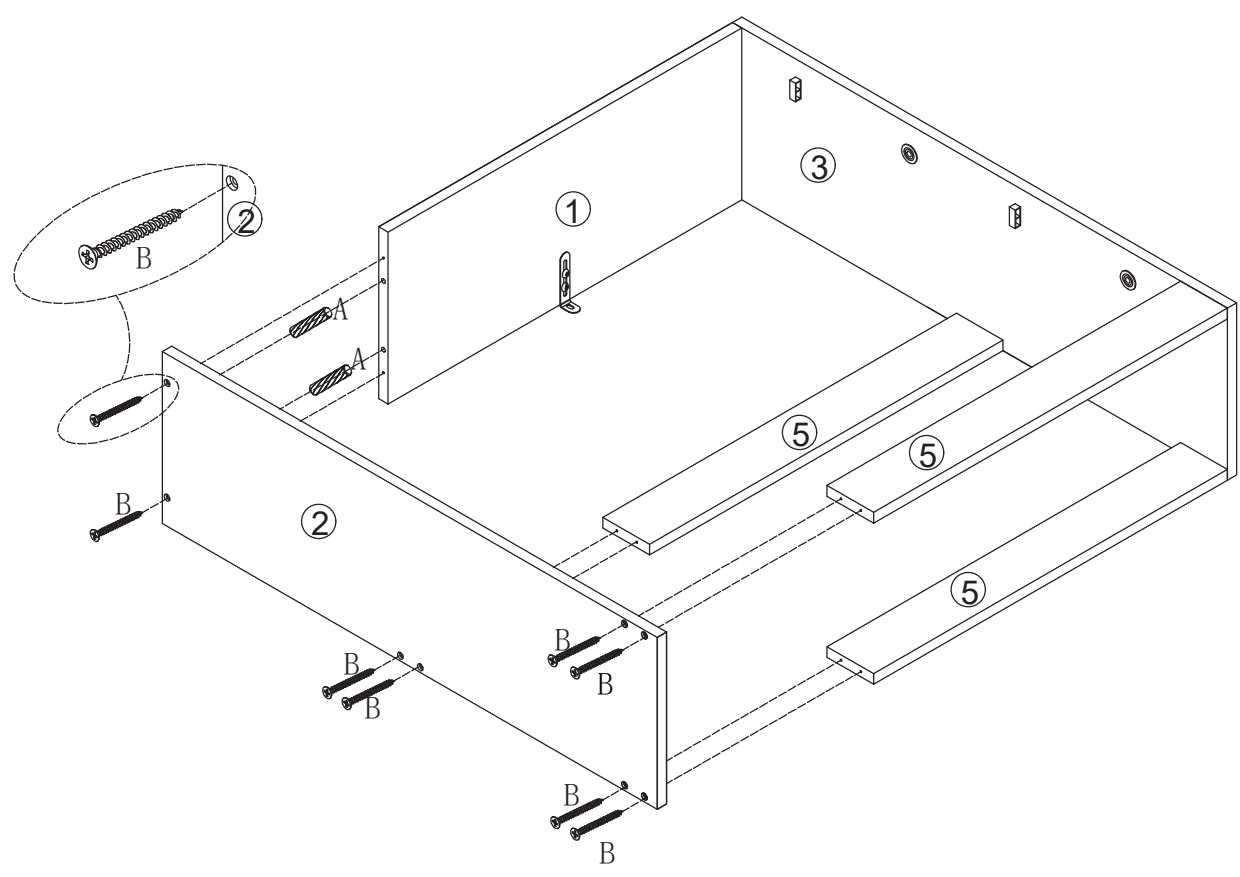
Step3



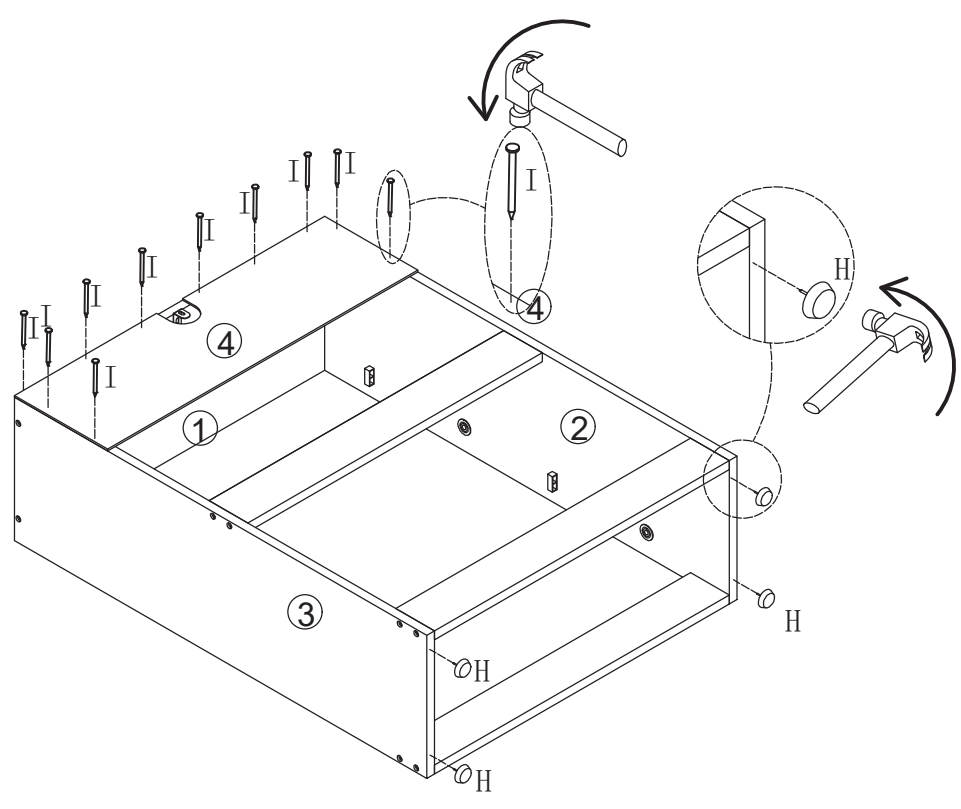
Step4



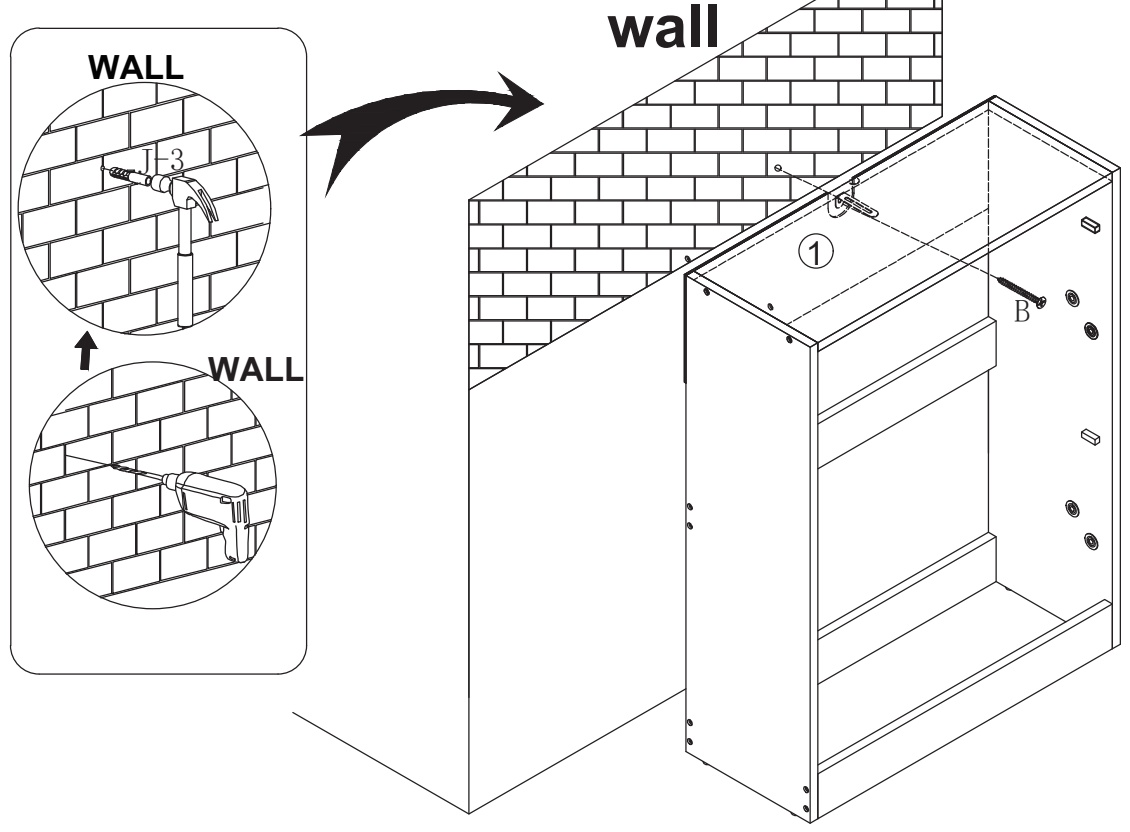
Step5



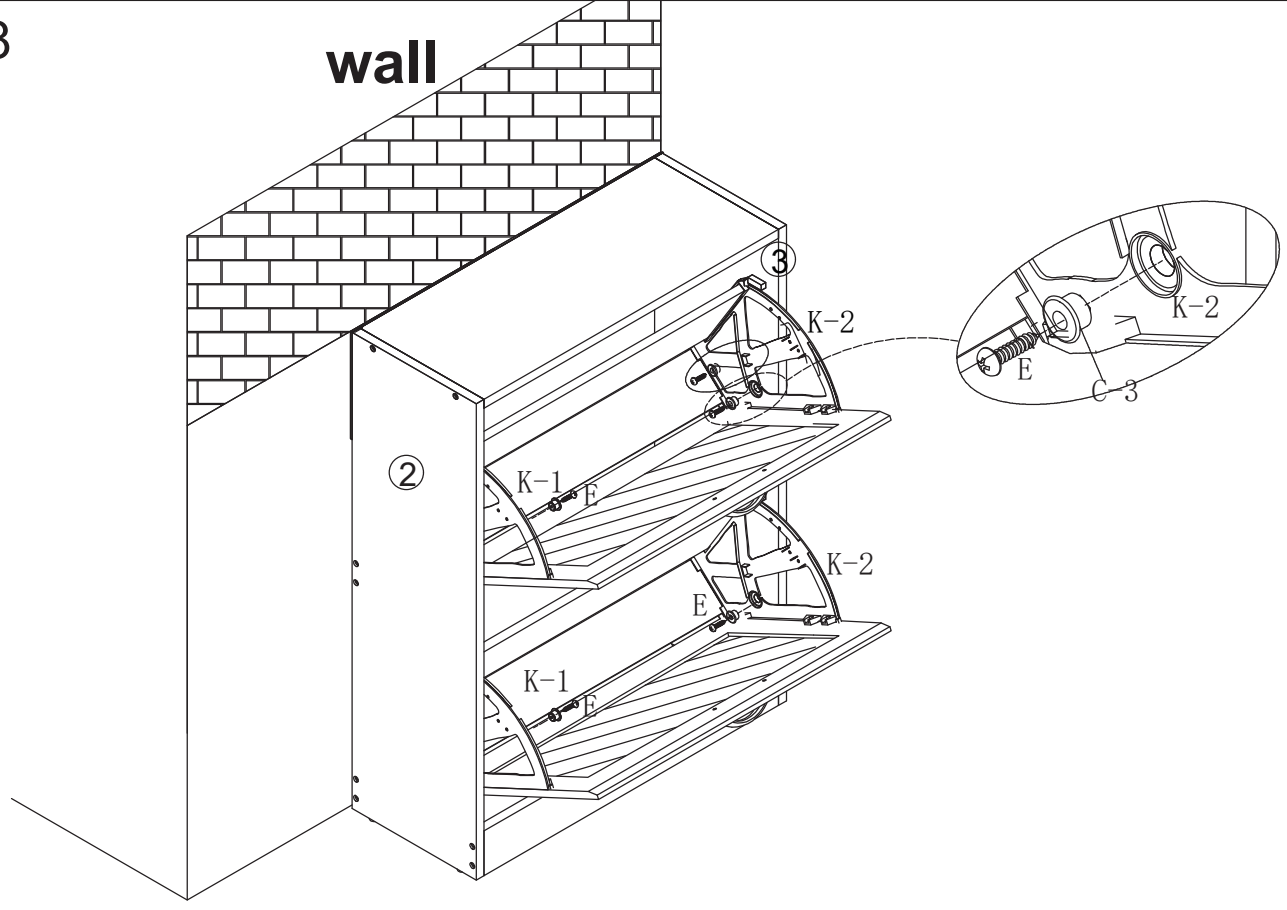
Step6



Step7

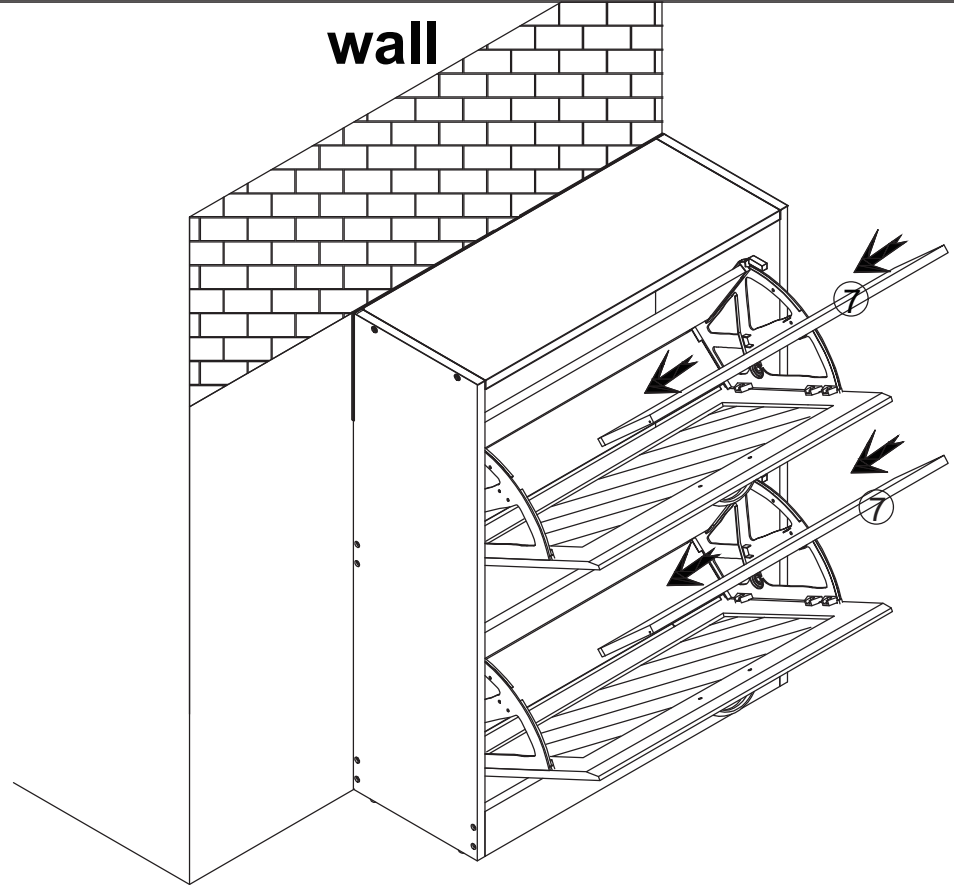


Step8



Step9

wall



Step10

wall

