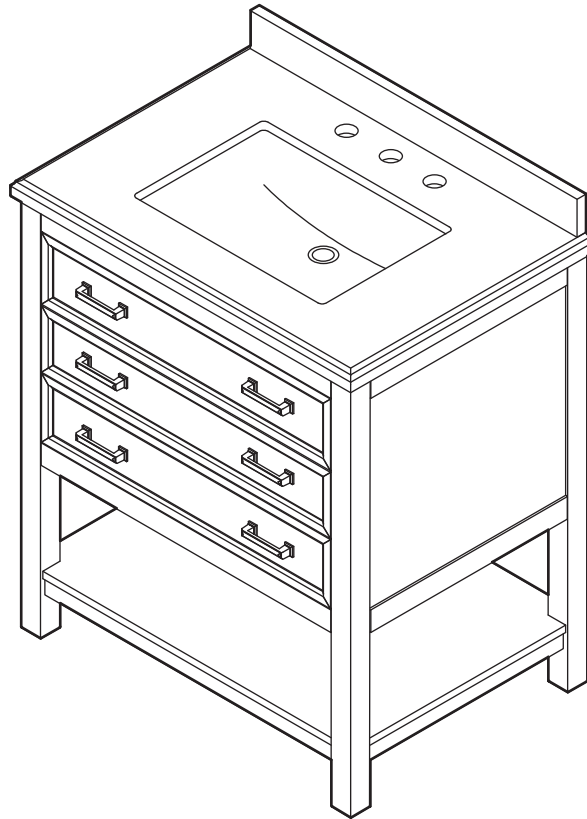


USE AND CARE GUIDE

AFFINITY 31 IN. VANITY COMBO



Questions, problems, missing parts? Before returning to the store,
call Design Element Customer Service.
8:30 a.m. - 5 p.m., PST, Monday-Friday

1-909-988-4788

THANK YOU

We appreciate the trust and confidence you have placed in Design Element through the purchase of this vanity. We strive to continually create quality products designed to enhance your home. Visit us online to see our full line of products available for your home improvement needs. Thank you for choosing Design Element!

Table of Contents

Table of Contents	2	Assembly	5
Safety Information	2	Maintenance	6
Warranty	3	Care and Cleaning	6
Limited Lifetime Warranty	3		
What is Covered	3		
What is Not Covered	3		
California Residents	3		
Pre-assembly	4		
Package Contents	4		

Safety Information

DANGER

- Keep small parts away from children during assembly.
- Failure to follow warnings and cautions could result in serious injury.
- DO NOT use harsh bathroom cleaners or grout cleaners on any natural stone.

WARNING

- Read these instructions carefully and keep in a safe place.
- Adult assembly required.
- This product should only be used on a flat, level surface.
- Do not over tighten connectors (screws, bolts, etc.). Overtightening can lead to product damage.
- Small parts may present choking hazard prior to assembly.
- Do not stand, step or climb on unit.

CAUTION

- USE preventative cleaning measures to keep your stone pristine.
- USE sealers according to the product specific directions.
- Blot spills quickly, and wash with mild soap and warm water.
- Stone countertops (Granite, Marble, etc.) are surprisingly resilient to stains and scratches. However, as a preventative measure, any spills on the stone surfaces should be wiped up within a reasonable amount of time. Don't let liquid sit on the stone overnight. Stones are most prone to staining by oil and acid, so be sure to blot these spills up as soon as they happen. Follow up by cleaning the stone with a mild non-abrasive soap and water.
- Be sure to check all packing materials carefully for small parts that may have come loose inside the carton during shipment. If parts are missing, contact DESIGN ELEMENT to obtain any missing parts.
- Using abrasive cleansers will damage the surface.

Warranty

1-YEAR MANUFACTURER'S WARRANTY

WHAT IS COVERED

Design Element products are manufactured with superior quality standards and workmanship and are backed by a 1-Year Manufacturer's warranty. Design Element products are warranted to the original consumer purchaser to be free of defects in materials or workmanship. Proof of purchase (original sales receipt) from the original consumer purchaser must be made available for all Design Element warranty claims.

WHAT IS NOT COVERED

This warranty excludes incidental/consequential damages and failures due to misuse, abuse or normal wear and tear. This warranty excludes all industrial, commercial & business usage, whose purchasers are hereby extended a five-year limited warranty from the date of purchase, with all other terms of this warranty applying except the duration of warranty. Some states and provinces do not allow the exclusion or limitation of incidental or consequential damages, so the above limitations may not apply to you. This warranty gives you specific legal rights and you may also have other rights that vary from state to state and province to province. Please see a store or contact 1-800-986-3460 for more details.

California

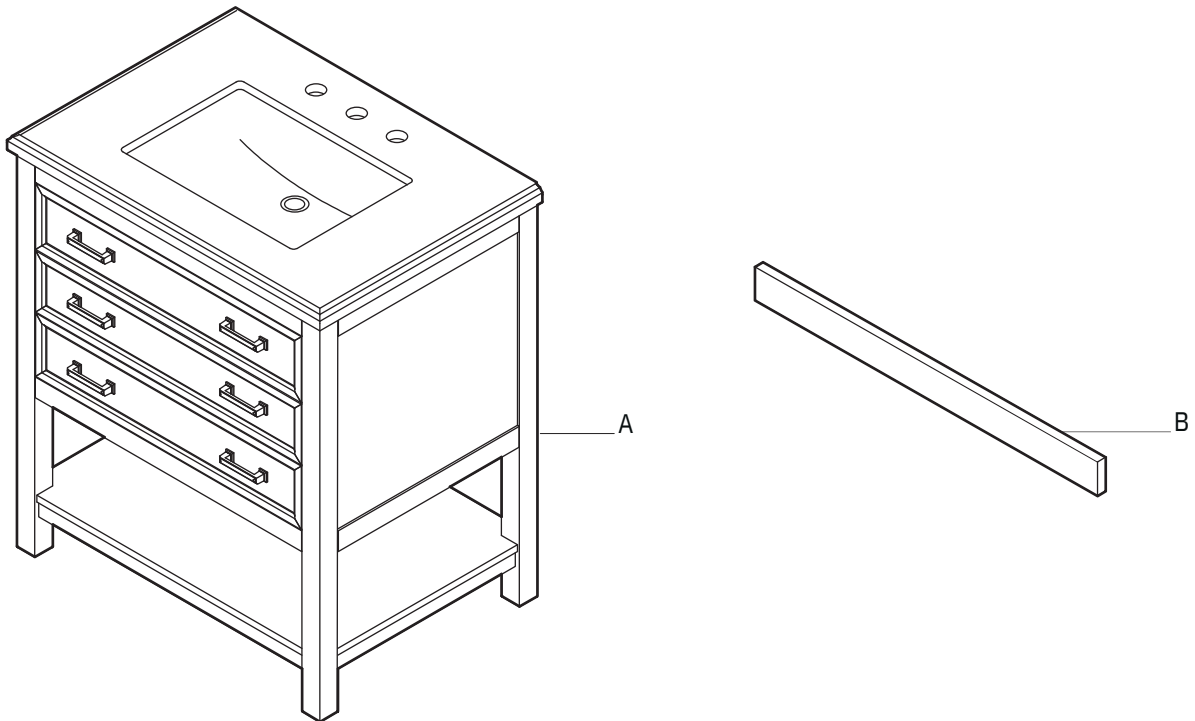
CALIFORNIA RESIDENTS



WARNING THIS PRODUCT CAN EXPOSE YOU TO CHEMICALS INCLUDING LEAD, WHICH IS KNOWN TO THE STATE OF CALIFORNIA TO CAUSE CANCER AND BIRTH DEFECTS OR OTHER REPRODUCTIVE HARM. GO TO WWW.P65Warnings.ca.gov/products

Pre-assembly

PACKAGE CONTENTS

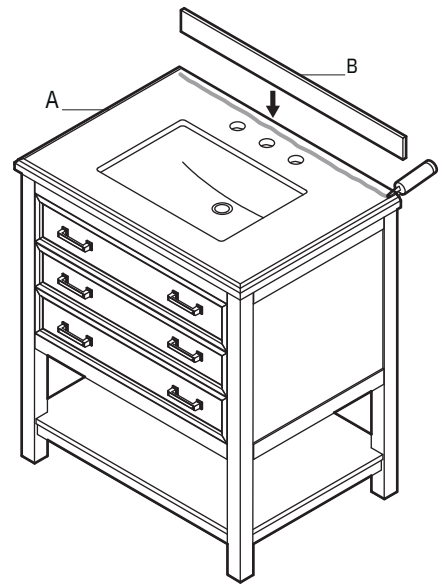


Part	Description	Quantity
A	Vanity	1
B	Backsplash	1

Assembly

1 Installing the backsplash (optional)

- Wipe off the area of the top (A) where the backsplash (B) will sit using a clean rag.
- Apply a line of silicone onto the top (A) along the back edge.
- Align the backsplash (B) with the back edge. Slowly lower it onto the top (A) and gently press to adhere.
- Wipe away any seeping silicone from underneath the backsplash (B) with a clean rag.

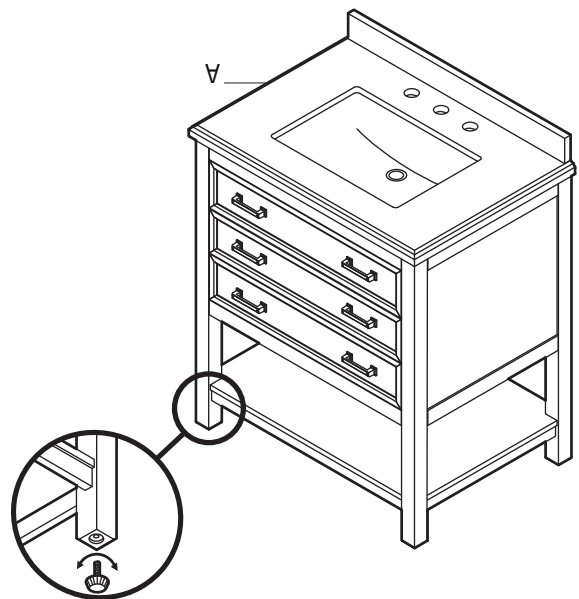


2 Adjusting the leg levelers (optional)

- If the floor is uneven, causing the vanity (A) to wobble, determine which foot needs to be adjusted in height.
- Carefully tilt the vanity (A) either backwards or forwards to access the leg leveler.
- Turn the leveler clockwise to make the leg shorter, or counterclockwise to make it longer.
- Repeat as needed with the other feet until the vanity (A) stands solidly on the floor.

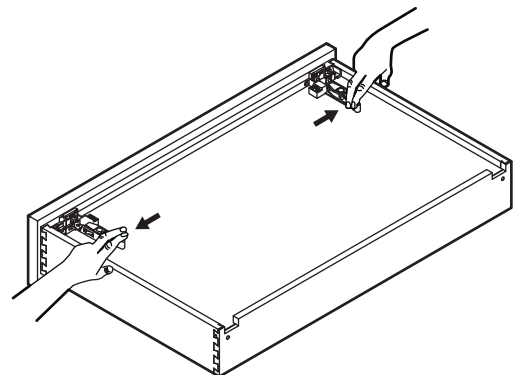


CAUTION: Two people are needed to safely tilt the vanity and access the leg levelers.



3 Removing the drawers (optional)

- Fully extend the drawer.
- Pull the two latches outward on the underside of the drawer to release the lock.
- Simultaneously tilt and lift the drawer upwards to pull it out of the cabinet (A).



Maintenance

To protect your bath furniture, we suggest the following:

- Avoid placing your furniture in direct sunlight, as sunlight causes fading.
- Clean up spills immediately. Use a blotting rather than a wiping action. Water left over a long period of time will cause white spots in the finish.
- Alcohol, perfume, after-shave and medications can cause severe damage to the finish.

Care and Cleaning

- Dust frequently with a clean, soft, dry, lint-free cloth. Clean the surface by rubbing in the direction of the grain.
- Polish your furniture approximately every six months with a product that contains detergents, emulsifiers and mineral oil. The detergents clean dirt from the furniture; the emulsifiers give it body to clean and last longer; the mineral oil is left behind as a barrier for dirt and moisture that can harm the finish. There is no grit to harm the finish, no wax build-up, and no silicone to raise the sheen and act as a barrier for touch-ups and refinishing.
- Clean the outside surface with mild soap, warm water, and a soft cloth.
- On stubborn stains, use a powdered detergent and damp sponge or nylon scouring pad.
- Never use abrasive scouring powders, cleansers, or pads because they will scratch, damage, and dull the surface.
- Clean the sink surface with mild soap and warm water, then dry with a soft cloth.

Natural stone tops:

- Rinse vanity top with clean, hot water frequently.
- Blot spills quickly, and wash with mild soap and warm water.
- Clean the surface with a glass cleaner or other household cleansers that are non-abrasive
- Remove oil-based stains with acetone, mineral spirits, or ammonia.
- Organic stains like coffee, tea, or juice can be removed with hydrogen peroxide, mixed with a few drops of ammonia
- Water spots or rings can be removed by buffing the spots gently with 00-gauge steel wool.
- Small nicks and scratches can often be removed the same way.
- Larger scratches, chips, and resilient stains may require professional help. Please contact your local stonemason for details.