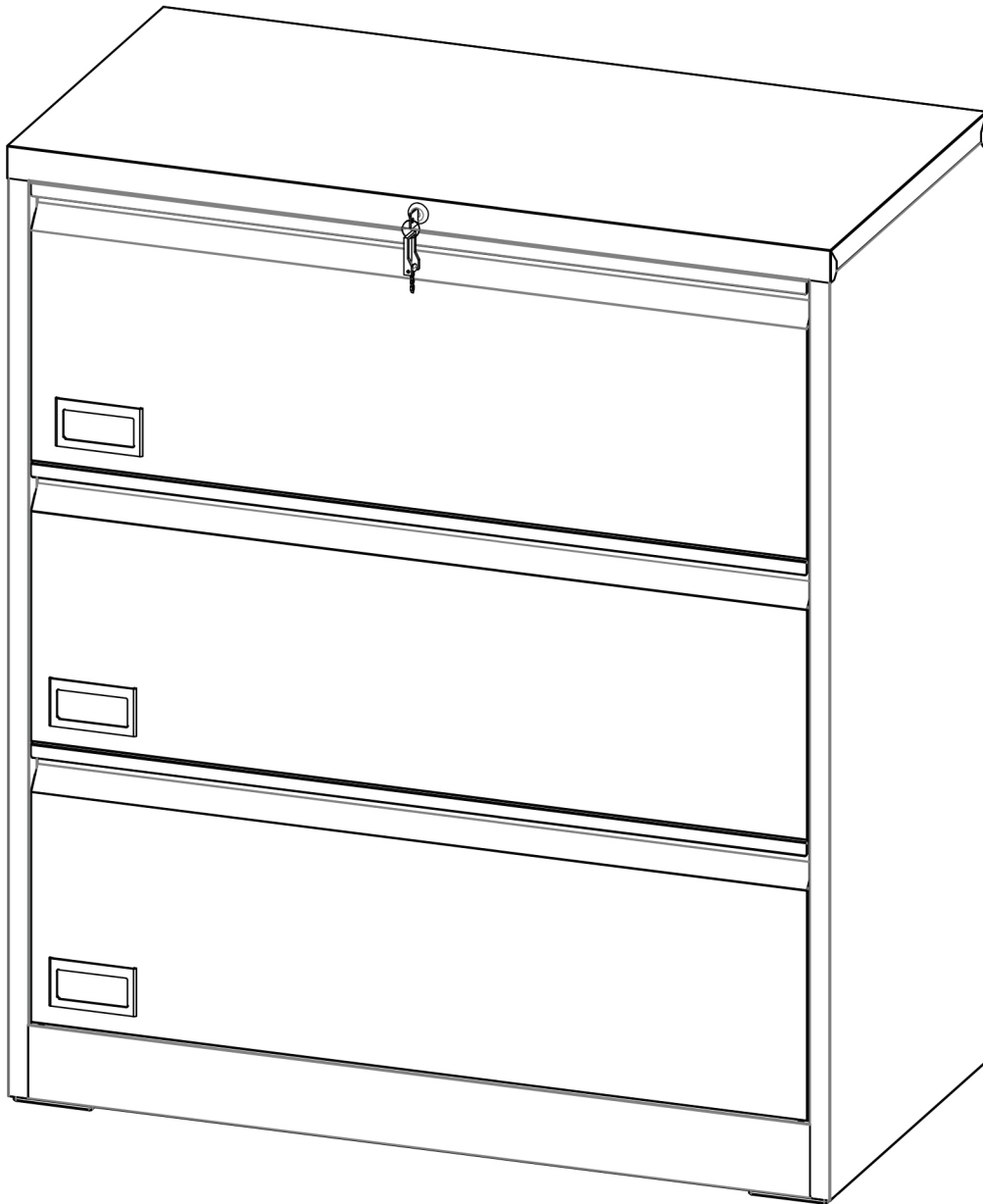


W252110439
W252110440



3-Drawer Lateral File Cabinet

Introduction

Please read the following instruction carefully and use the product properly.

Please keep this manual and hand it over when you transfer the product.

This summary may not include every detailed information of all variations and considered steps. Please contact us when further information and help needed.

Before Starting

Recommend no. of people needed for assembly:2

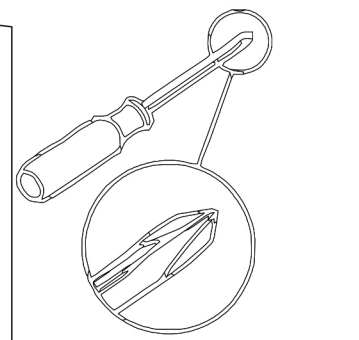
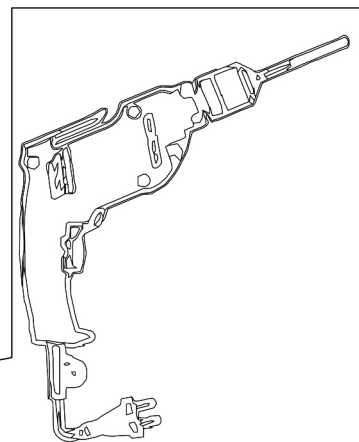
Read each section carefully before starting. It is very important that each step is performed in the correct order. If these steps are not followed in sequence, assembly difficulties will occur. Make sure all parts are included. Most board parts are labeled or stamped on the raw edge.

Please assemble the product according to the steps on the diagram strictly. Do not fully tighten the screws until all pieces are situated in place.

For continued use, it's suggested you regularly check the tightness of bolts and connections to ensure safety.

Work in spacious area, preferably on a carpet, near the place the unit will be located.

Have the following tools close at hand.



Warning

Keep all accessories and packaging of this product away from babies, children and pets as they potentially

The units contain small parts which could be a choking hazard for small children. Children should be under adult supervision at all times or serious injury could occur.

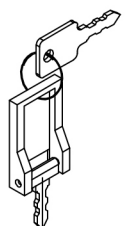
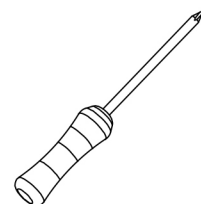
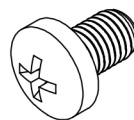
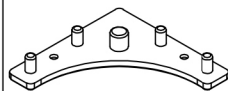
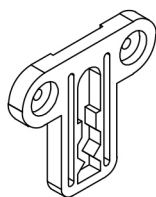
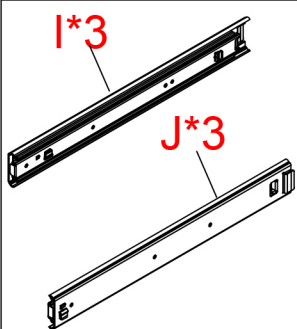
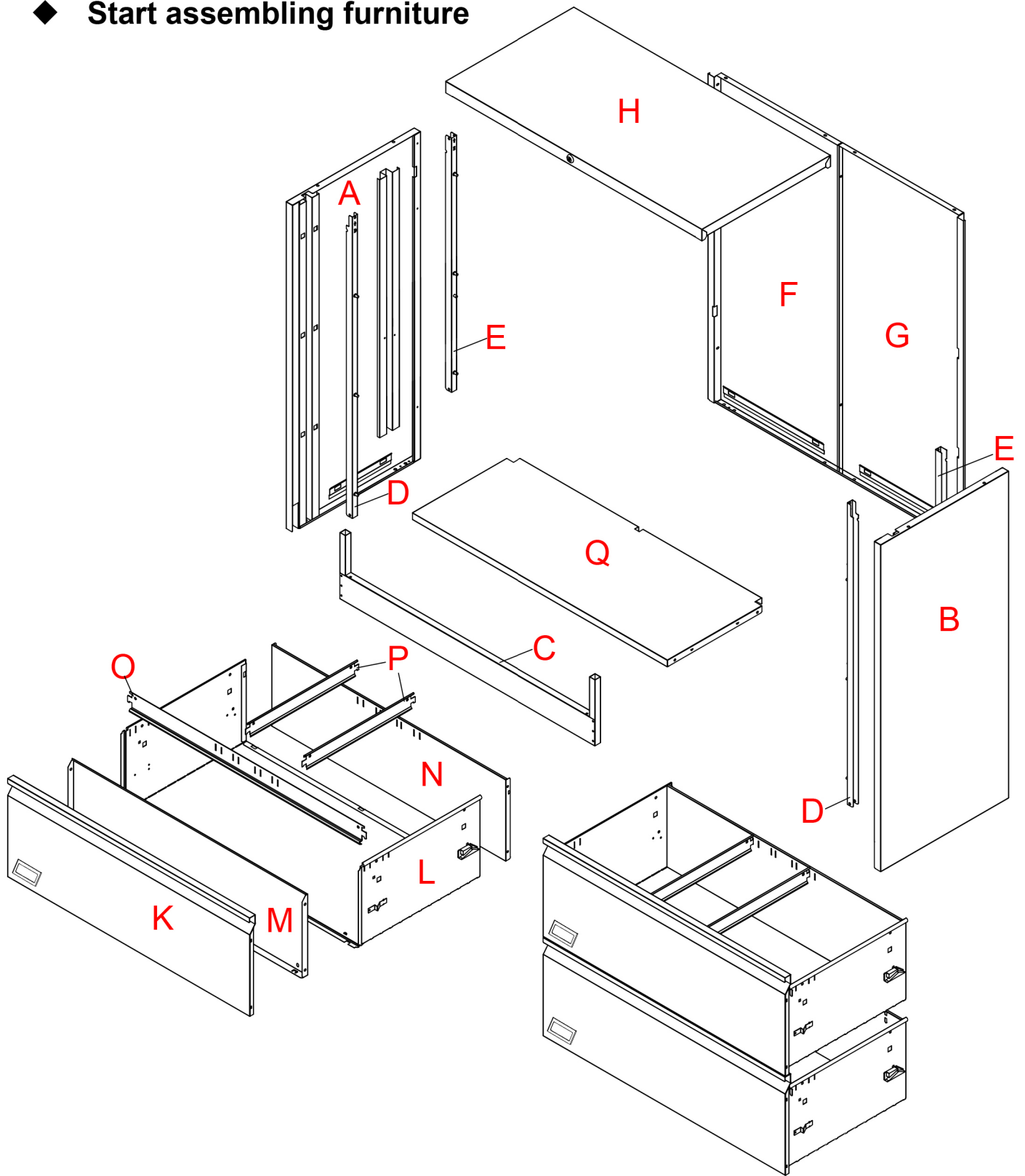
Do not put the product in a humid environment for a long time to prevent mildew.

Keep the product away from sharp objects and corrosive chemicals to avoid damage.

Do not overload unit. If any shelf, top, or bottom of units bows or bends, it is overloaded. The shelf, top, or bottom could collapse and cause serious bodily injury and/or damage to personal belongings.

Do not climb or step on the unit. The unit may become unstable and either tip or collapse. Serious bodily injury and/or damage to personal belongings may occur.

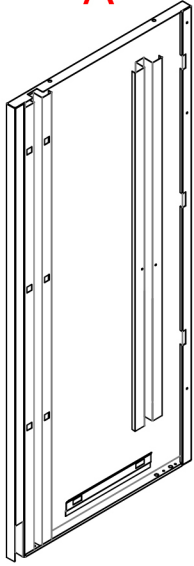
◆ Start assembling furniture



Components of furniture

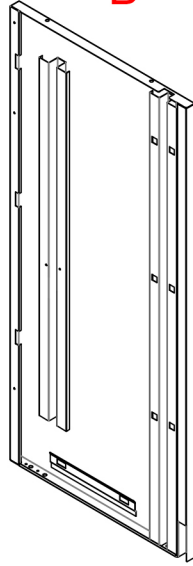
Please check the board number and the hole on the board

A



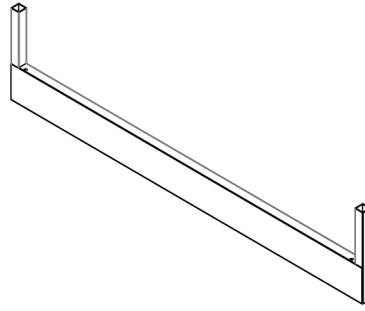
LEFT SIDE PANEL
995x450mm
QTY:1PC

B



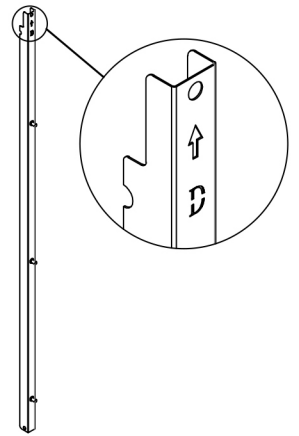
RIGHT SIDE PANEL
995x450mm
QTY:1PC

C



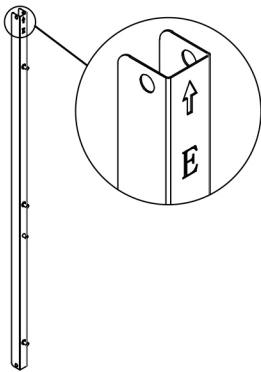
FRONT UNDERSIDE FRAME
898x80mm
QTY:1PC

D



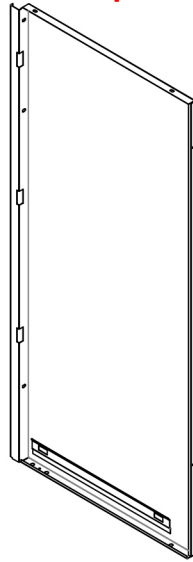
FRONT LOCK BAR
917x18mm
QTY:2PCS

E



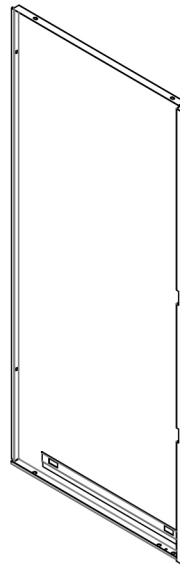
**ANTI-TIPPING LOCK BAR
WITH SMALL RIVETS**
774x18mm
QTY:2PCS

F



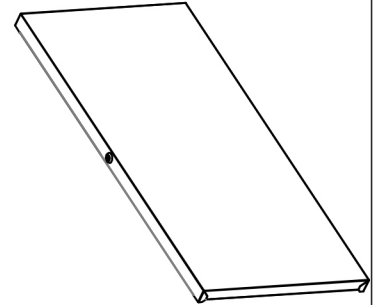
LEFT BACK PANLE
995x426mm
QTY:1PC

G



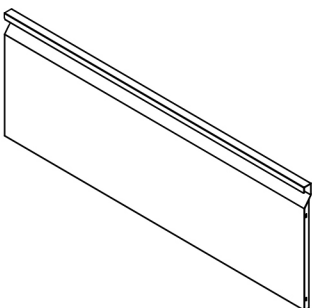
RIGHT BACK PANLE
995x426mm
QTY:1PC

H



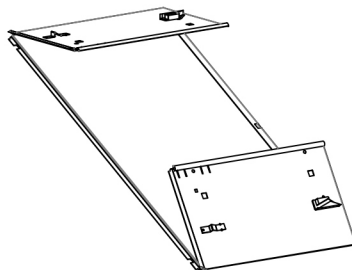
TOP BOARD
902x452mm
QTY:1PC

K



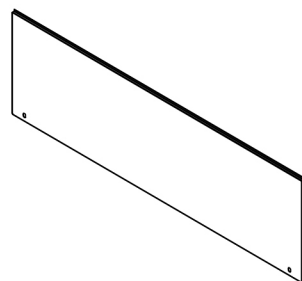
DRAWER FACE PANLE
851x300mm
QTY:3PCS

L



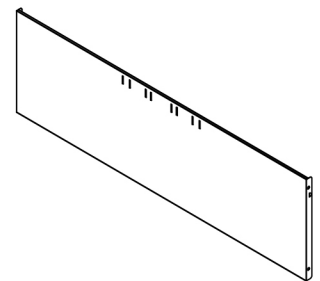
DRAWER BODY
825x433mm
QTY:3PCS

M



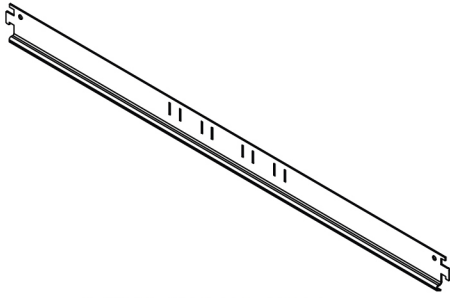
FRONT PANEL
823x248mm
QTY:3PCS

N



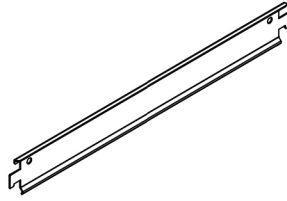
REAR PANEL
823x248mm
QTY:3PCS

O



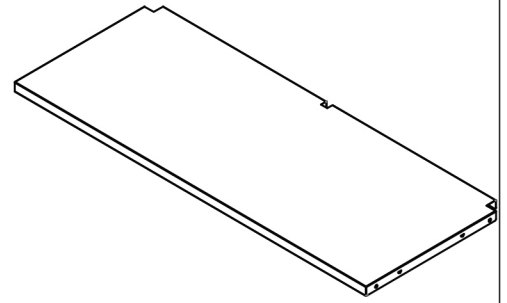
HORIZONTAL FILE
FOLDER BAR
837x57mm
QTY:3PCS

P



VERTICAL FILE
FOLDER BAR
397x47mm
QTY:6PCS

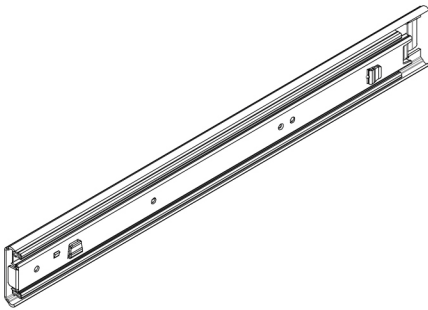
Q



BOTTOM PANEL
898x356mm
QTY:1PC

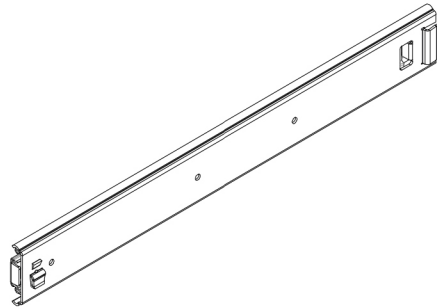
Hardware accessories

I



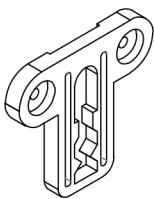
LEFT SIDE RAIL
425x45mm
QTY:3PCS

J



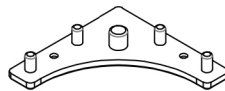
RIGHT SIDE RAIL
425x45mm
QTY:3PCS

a



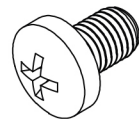
REAR INTERLOCKING BLOCK
QTY:2PCS

b



FLOOR PROTECTOR
QTY:4PCS

c



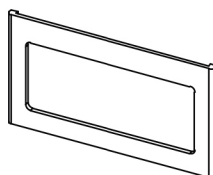
SCREW
M4*8
QTY:28+2 PCS

d

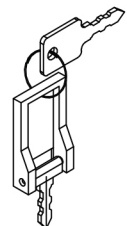


PHILLIPS SCREWDRIVER
QTY:1PC

e

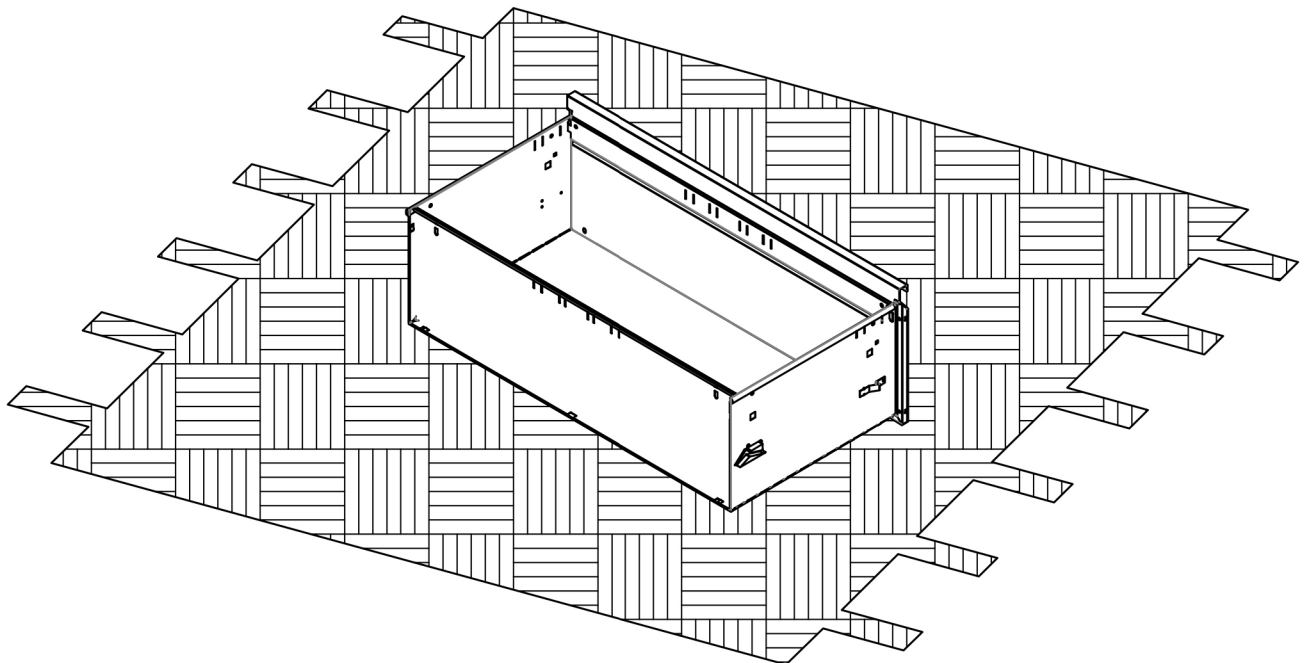
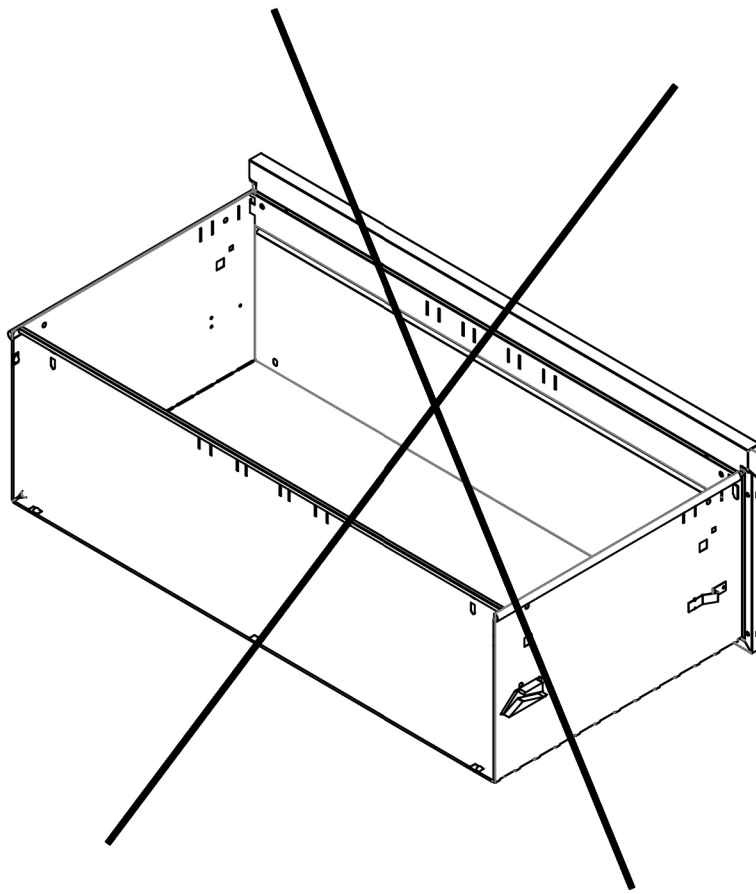


NAME TAG
QTY:3PC



LOCK KEY
QTY:1PC

- ◆ We recommend you assemble on a soft surface to avoid damage to the unit or surface.

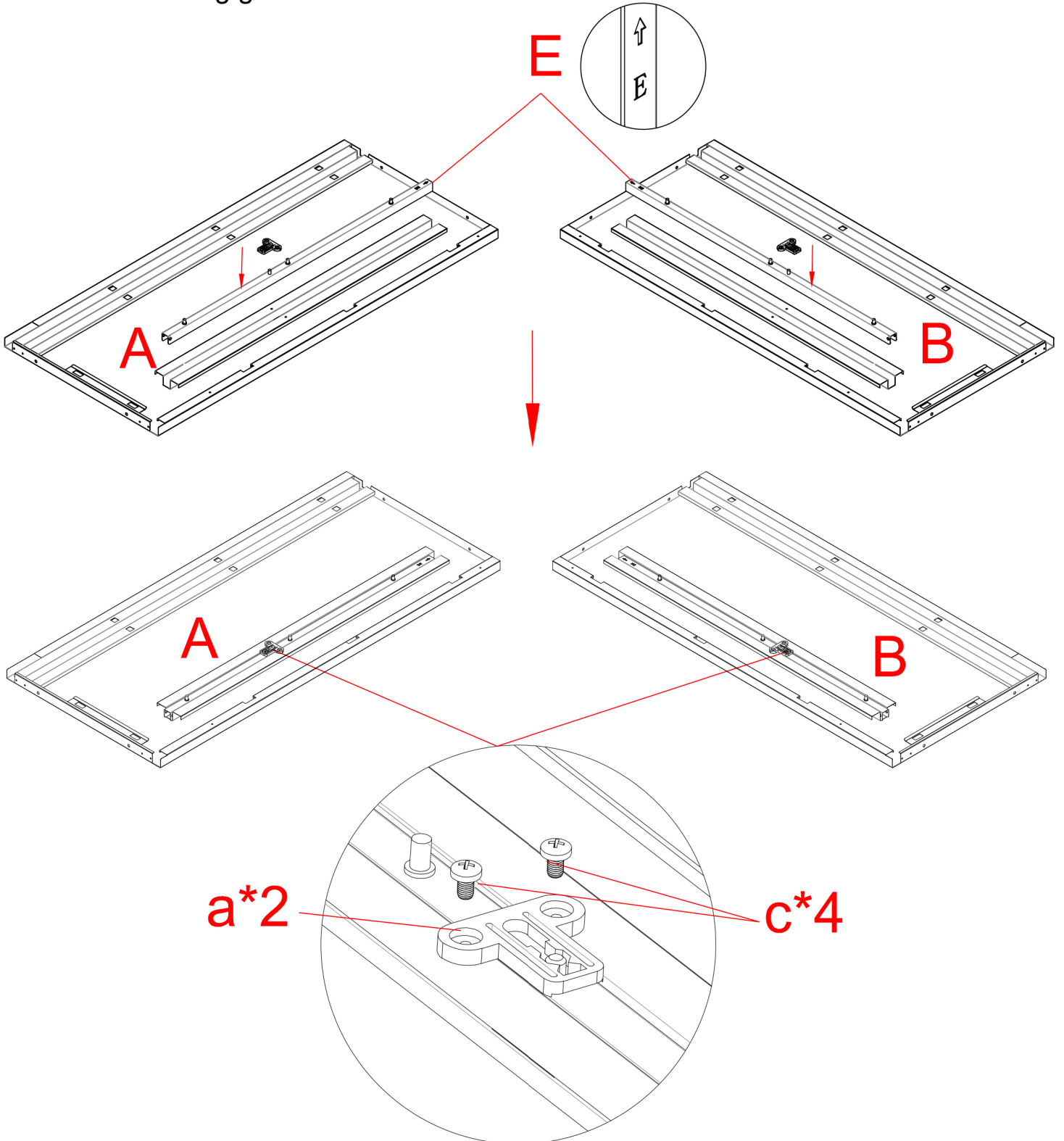


STEP 1

Assemble Anti-tipping lock bar (E)

Please put Anti-tipping lock bar (E) in the interlocking slots on the side panels and fix them with the Rear interlocking block (a).

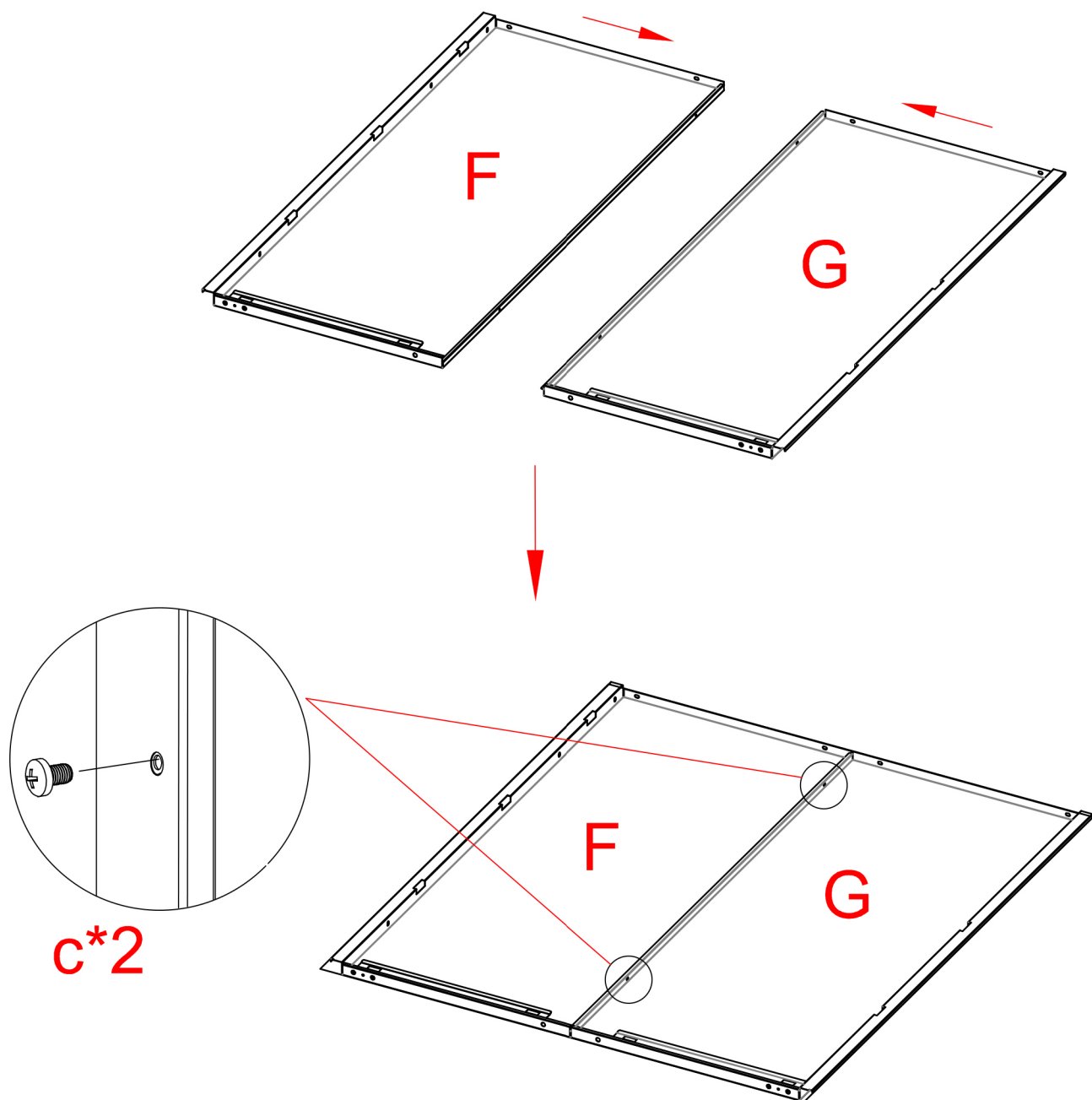
Note: The Rear interlocking block needs to pass through the small rivets on the rear interlocking rod and correspond to the screw holes on the left and right sides of the interlocking groove.



STEP 2

Assembly Back Panel

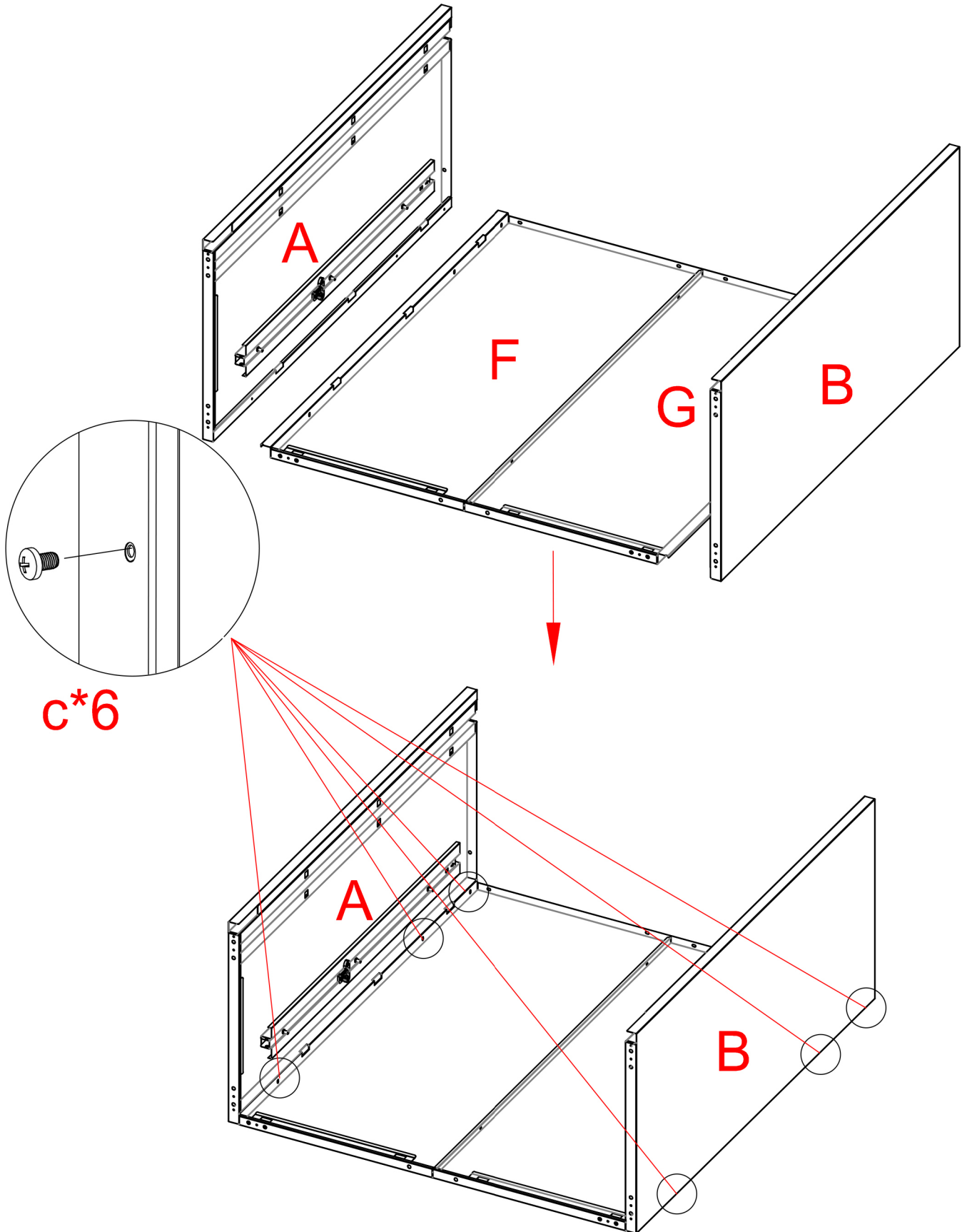
Connect Left back panel (F) with Right back panel (G) using two Screws (c) .



STEP 3

Assemble Left and Right Side Panels

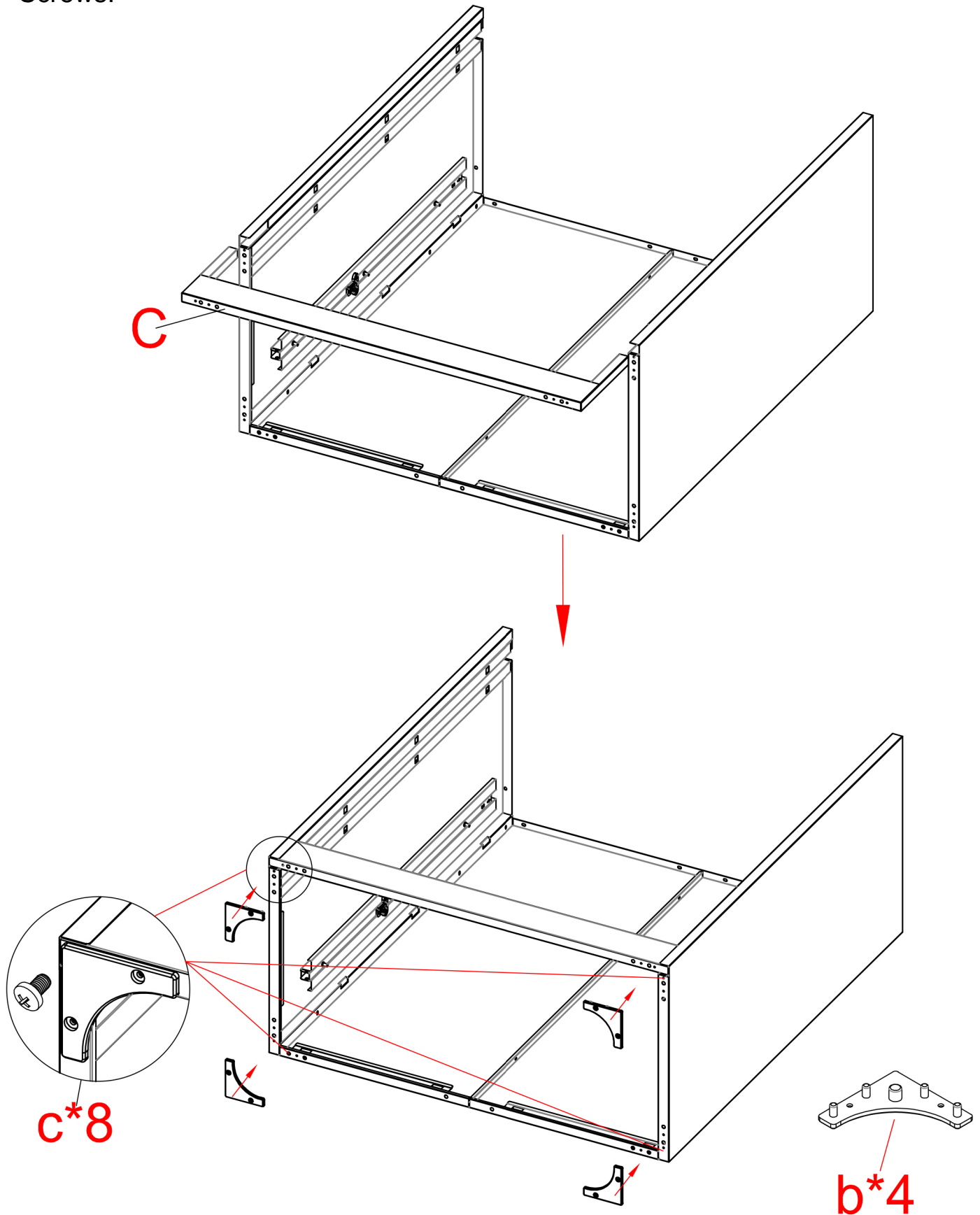
As shown, place the Left panel (A) and the Right panel (B) under the Back panel and connect them with six Screws (c) .



STEP 4

Assemble Front Bottom Frame (C)

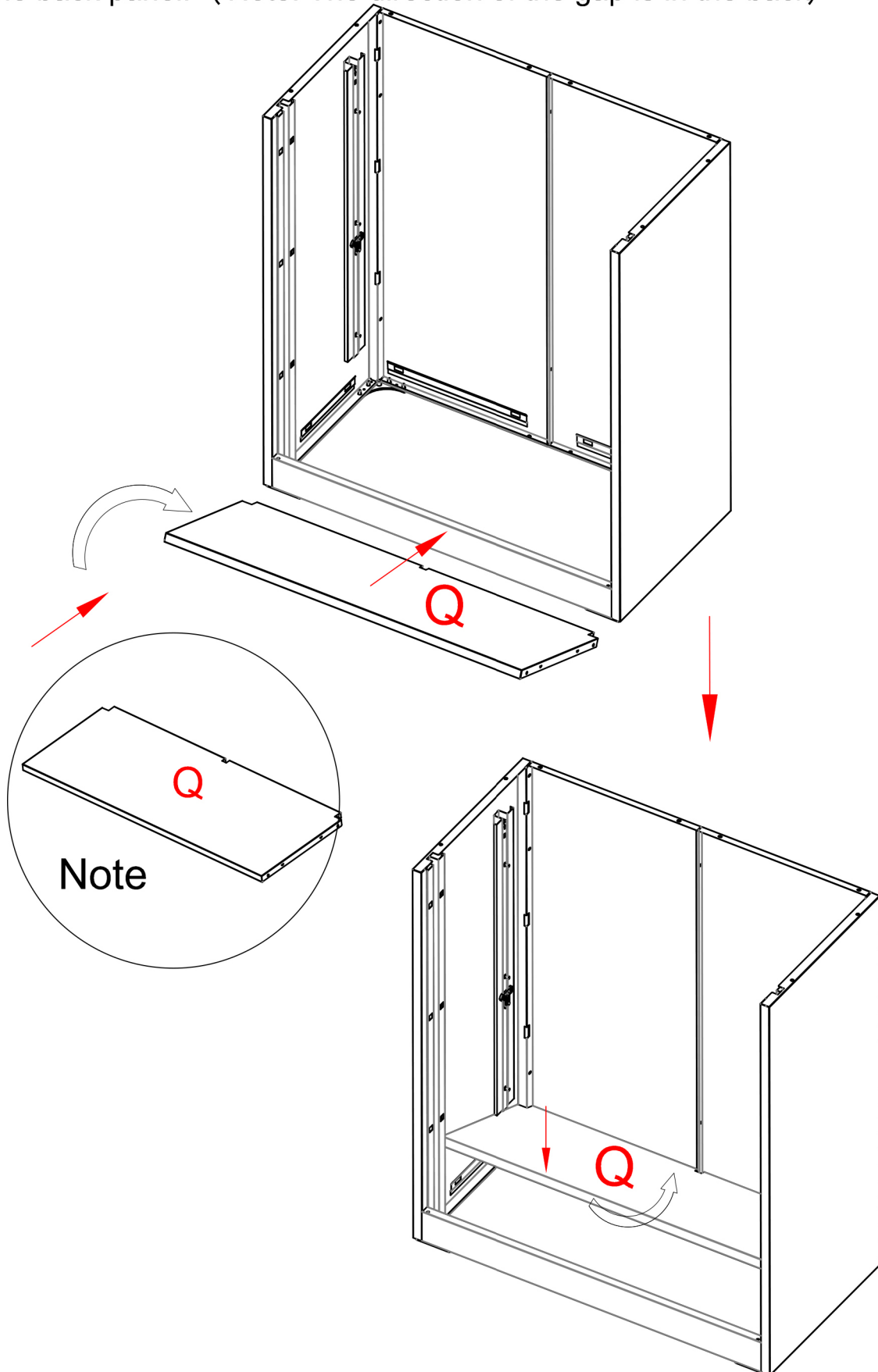
The side panels are placed horizontally, the Front underside frame (C) is inserted, and the four corners are fixed with four Floor protector (b) using eight Screws.



STEP 5

Assembly Bottom Panel (Q)

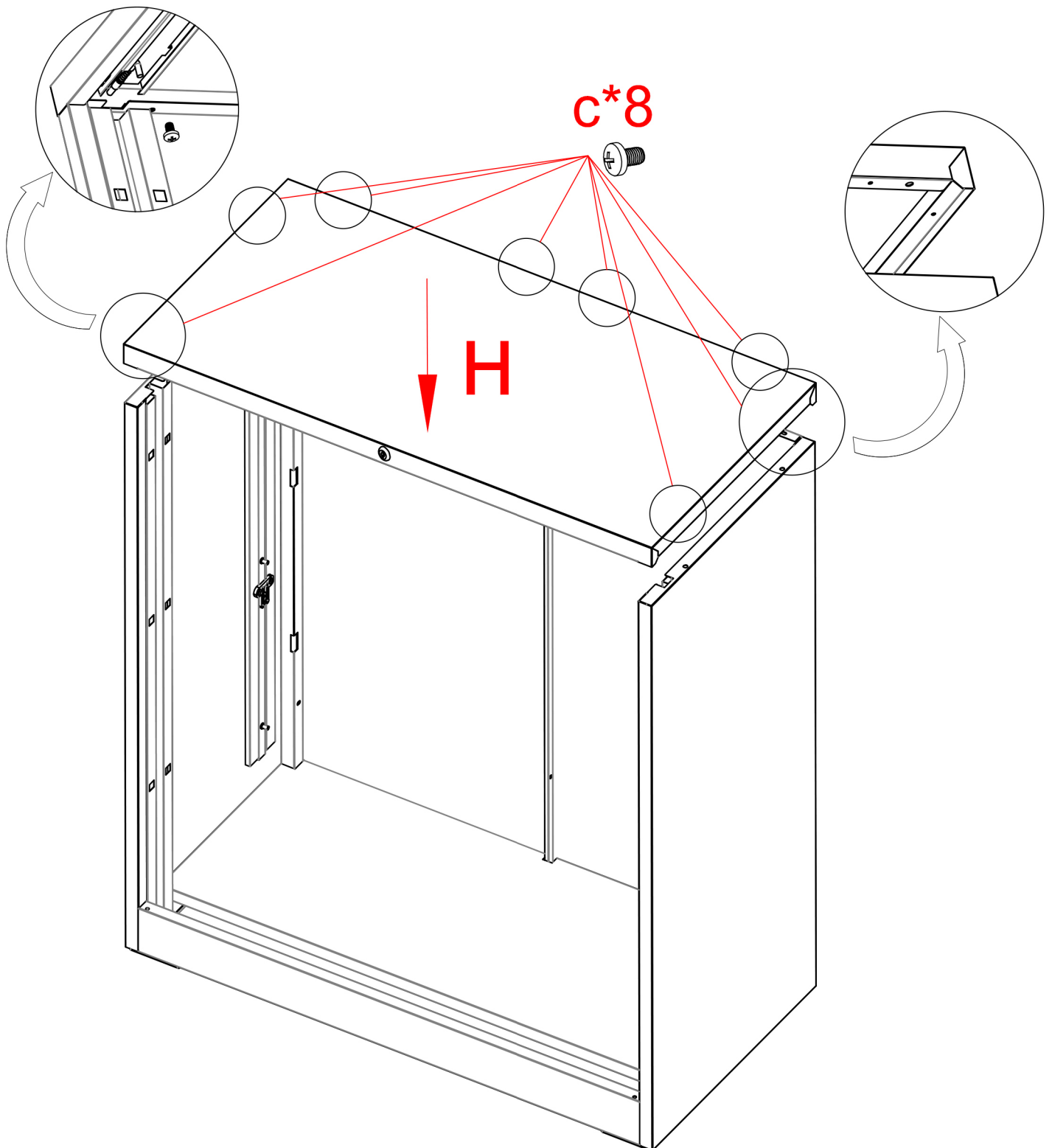
Assemble the bottom panel. The Bottom panel is inclined into the cabinet, which is fastened in the square holes of the left and right sides and the bottom bracket of the back panel. (Note: The direction of the gap is in the back)



STEP 6

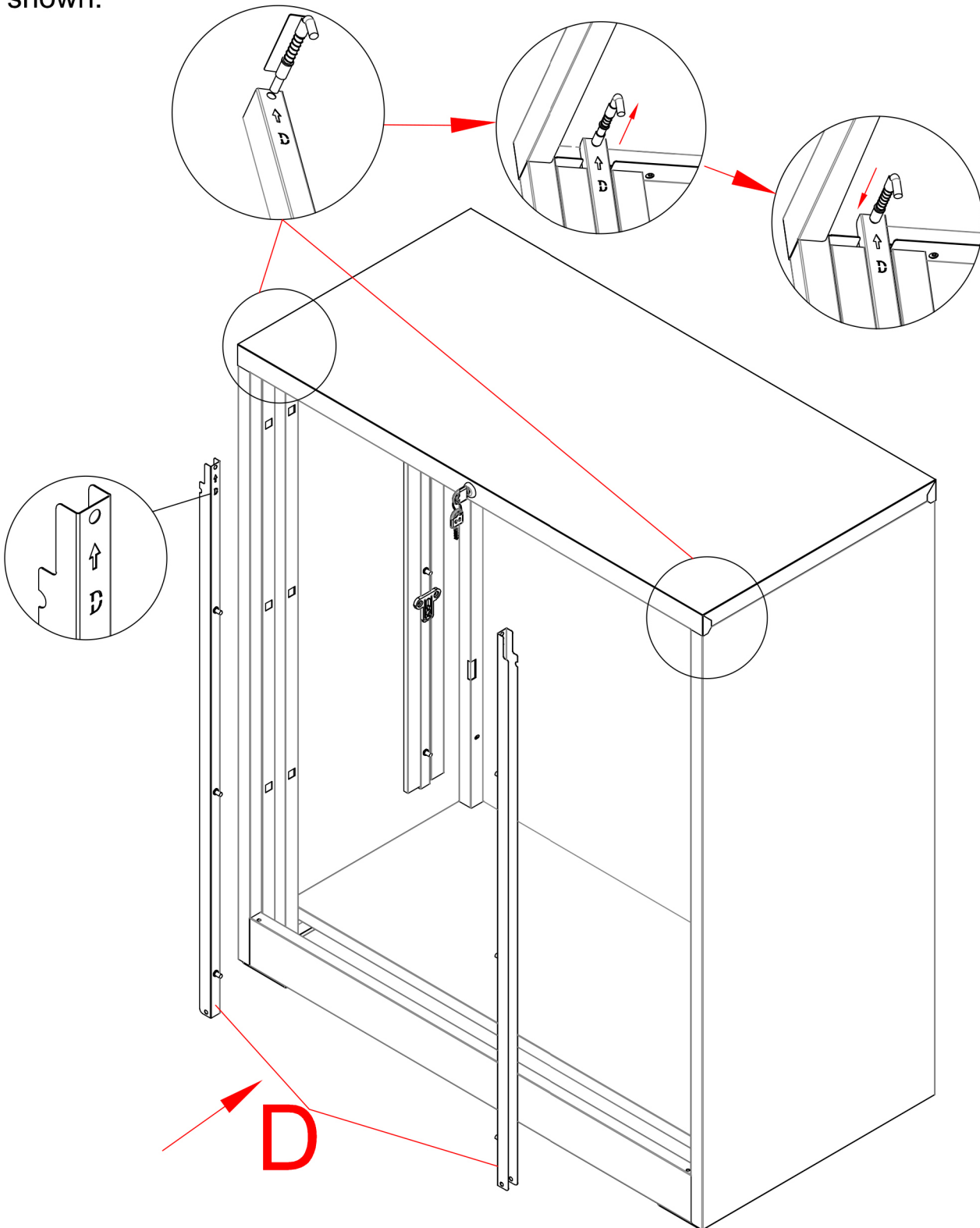
Assemble the Top Panel (H)

Note: Install the Top Panel (H) on the left, right side panel and the back panel as shown in the picture, then connect them with eight Screws (c) .



STEP 7

Connect the Front Lock Bar (D) with the top panel (H) and side panels (A&B). Then insert the Front Lock Bar (D) into the left and right pin as shown.

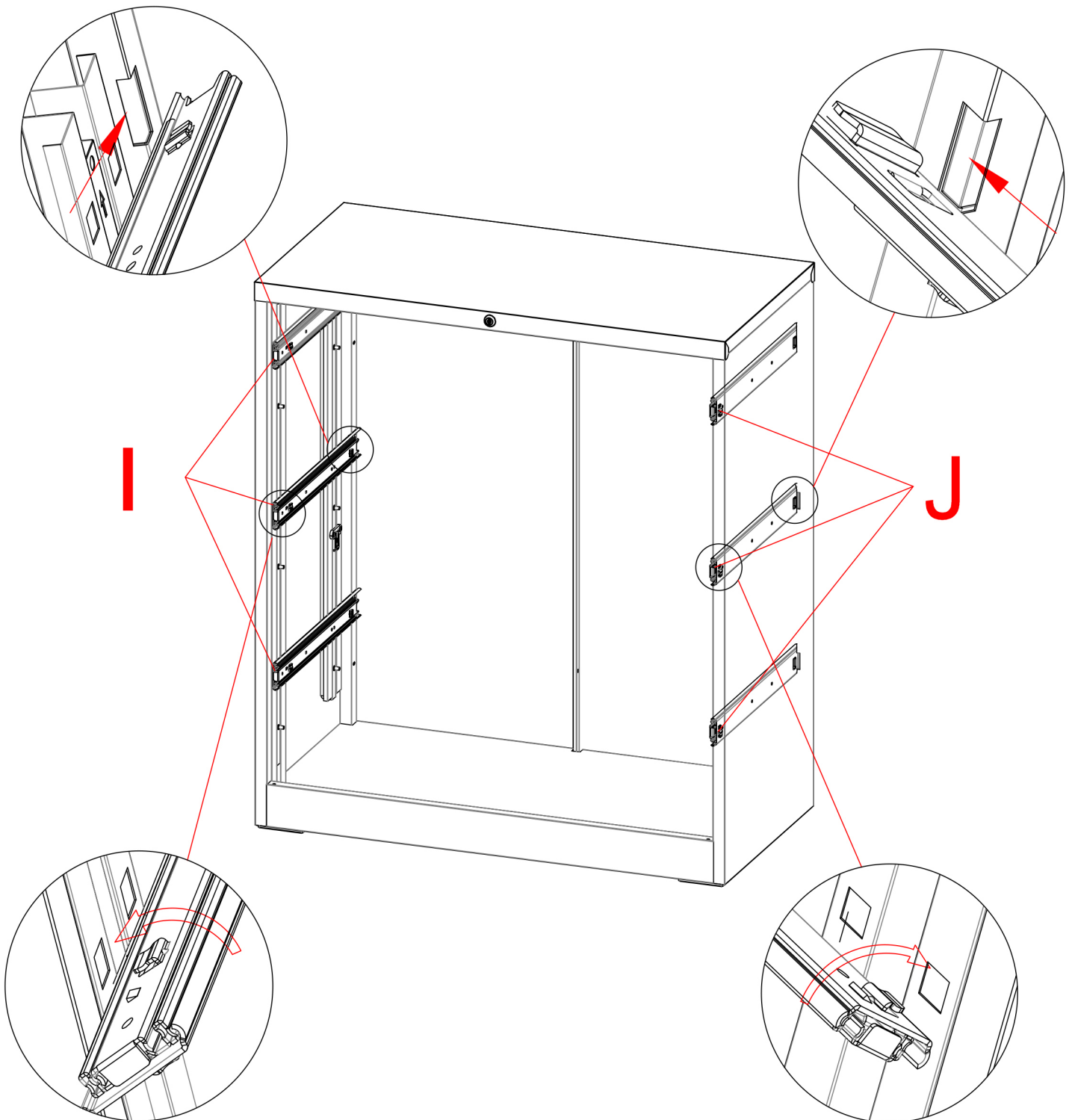


STEP 8

Install Left Side Rail (I*3) and Right Side Rail (J*3)

8.1 Put Left Side Rail (I) on the left side panel (A) .

8.2 Put Right Side Rail (J) on the right side panel (B) .



STEP 9

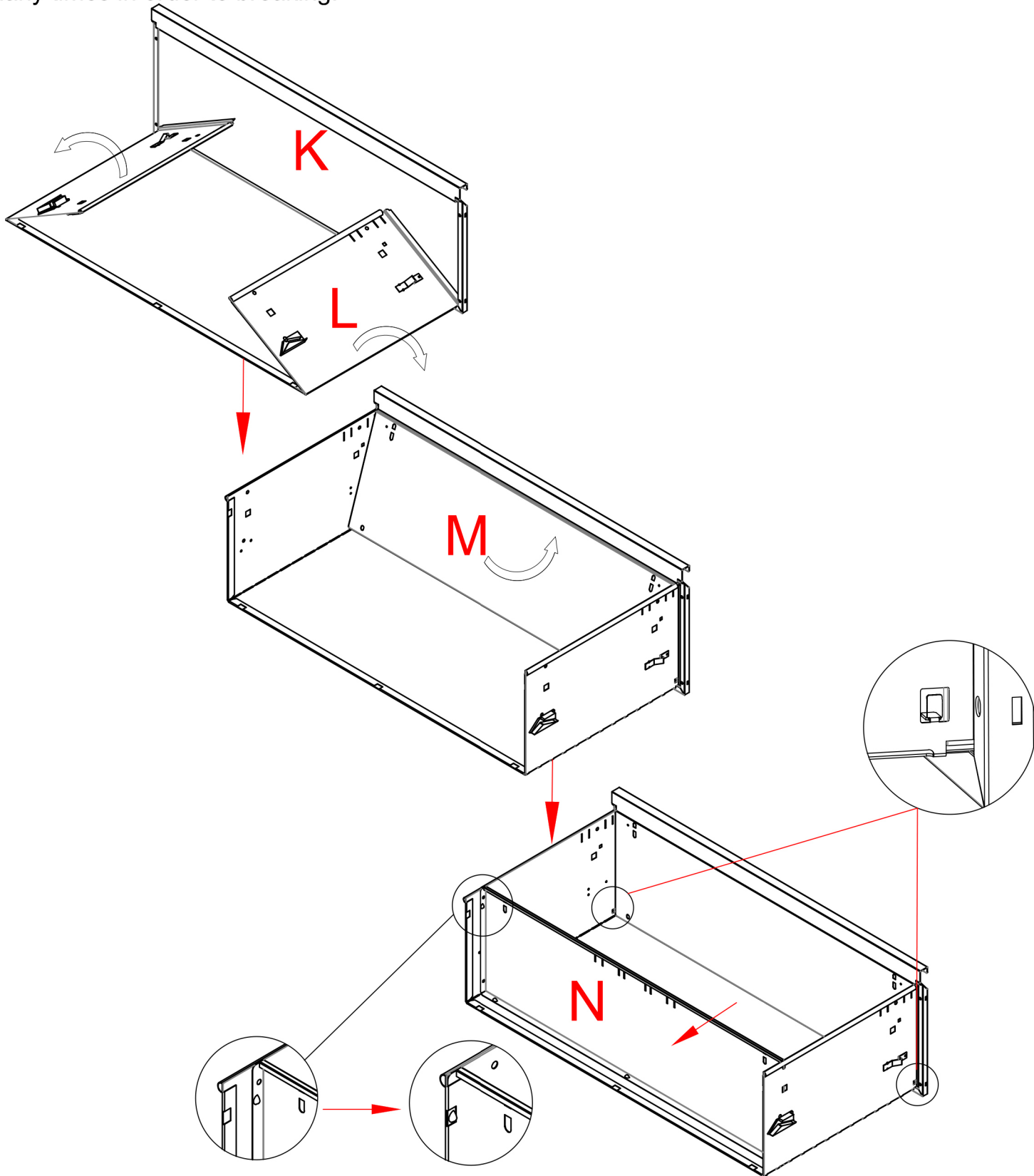
Install three Drawers

9.1 Connect Drawer Panel (L) with Drawer Panel (K) .

9.2 Put Front Panel (F) on the Drawer Panel (K) .

9.3 Connect Rear Panel (N) with Drawer Panel (L) .

Note: when installing L and K, be careful not to bend the two sides of the drawer body (L) many times in order to breaking.

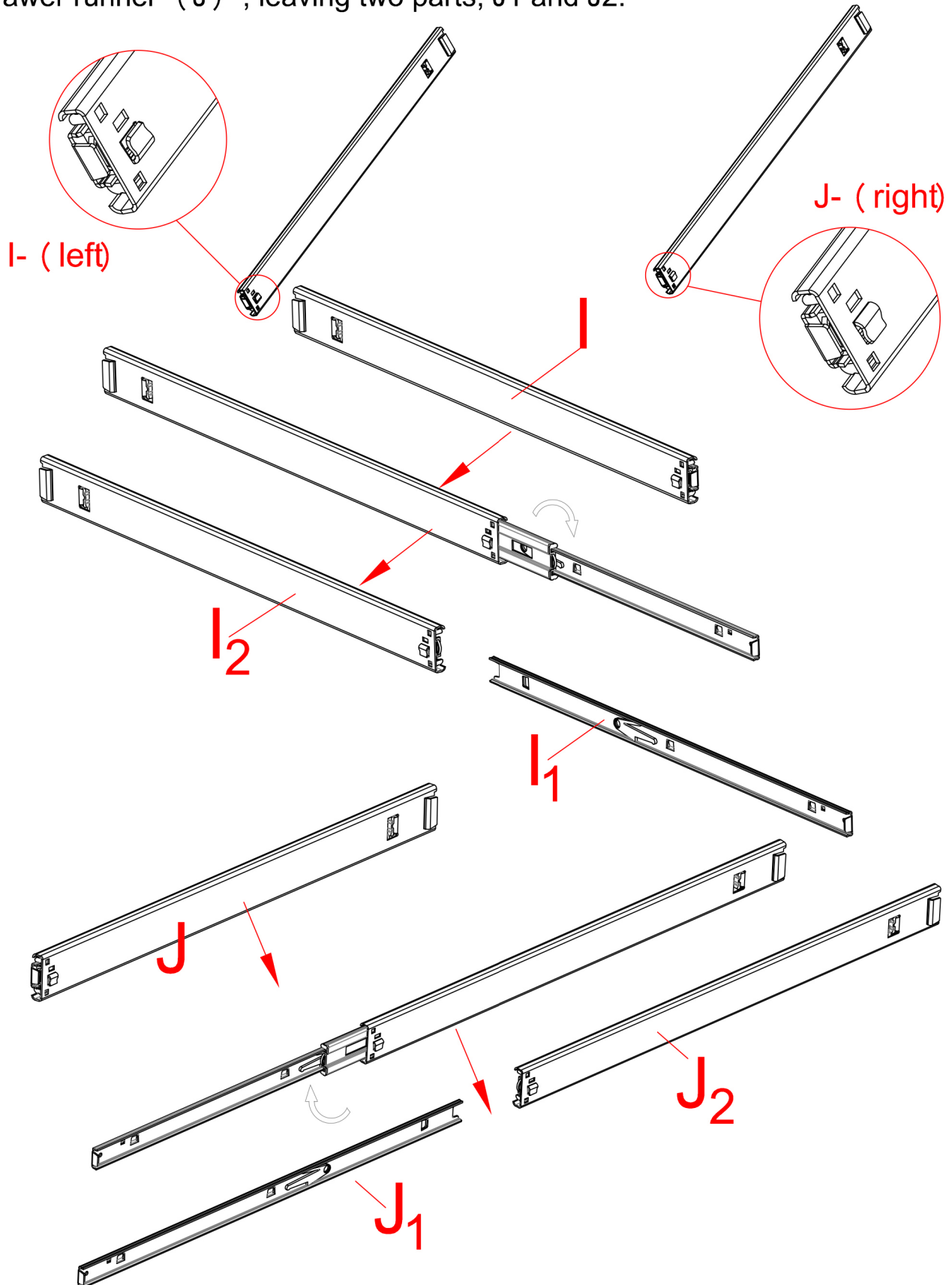


STEP 10

Separate the Inner Rails (I&J)

Pull out the runner core . Press the black part to take out the inside of the left drawer runner (I) , leaving two parts, I1 and I2.

Pull out the runner core. Press the black part to take out the inside of the right drawer runner (J) , leaving two parts, J1 and J2.



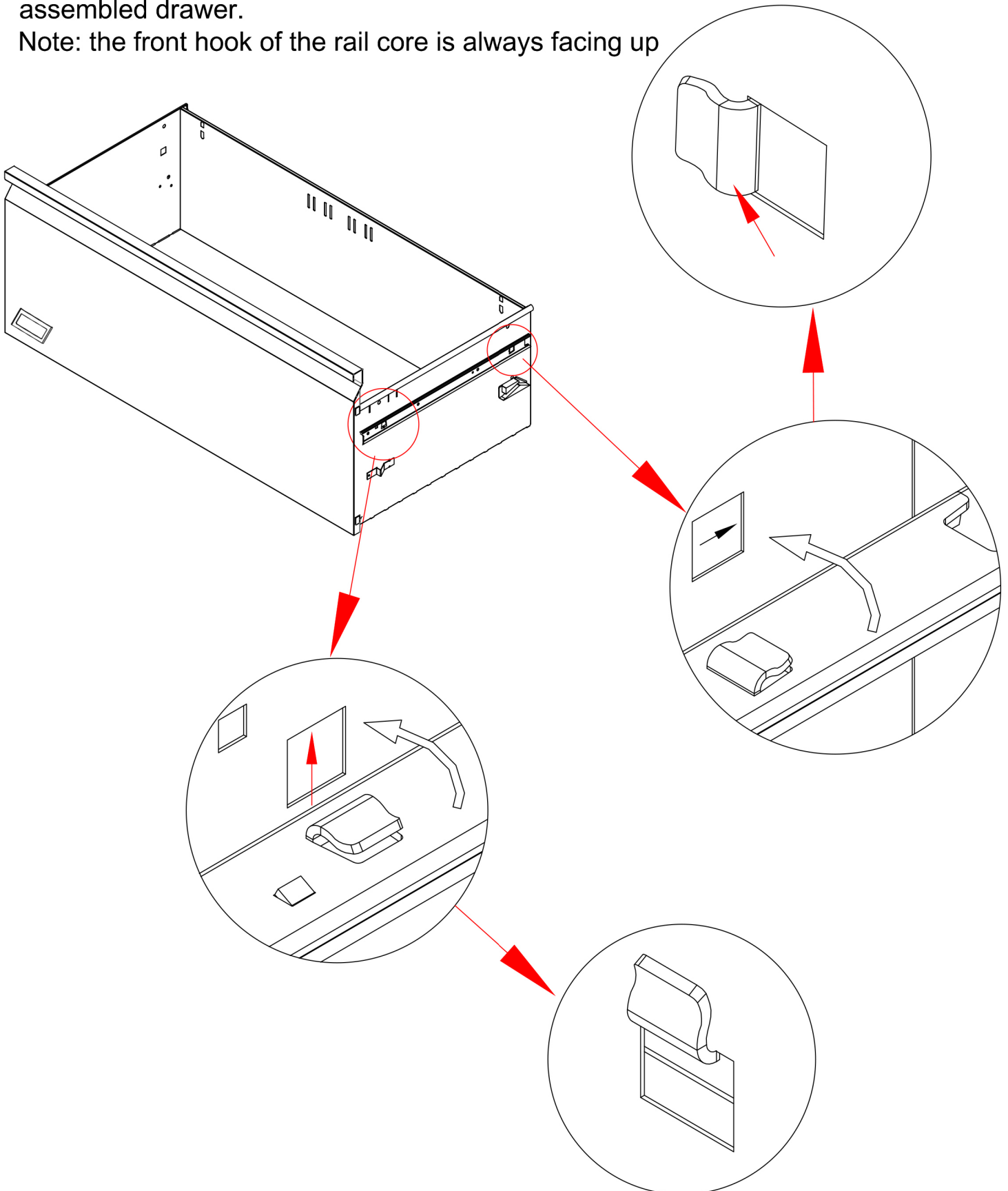
STEP 11

Install inner drawer rails (I1, J1)

Put Inner Rail on the Drawer Frame (L) .

Attach the left inner drawer runners (I1) to the left side of the assembled drawer, and attach the right inner drawer runners (J1) to the right side of the assembled drawer.

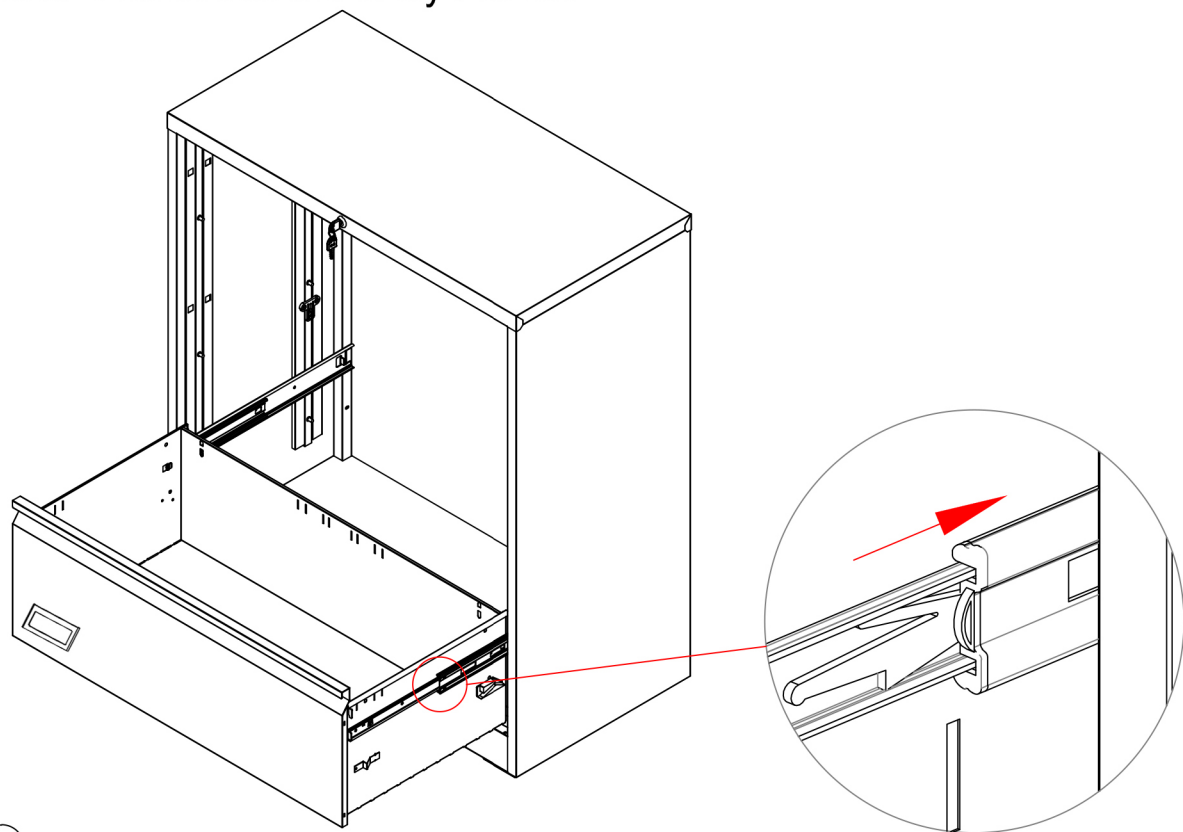
Note: the front hook of the rail core is always facing up



STEP 12

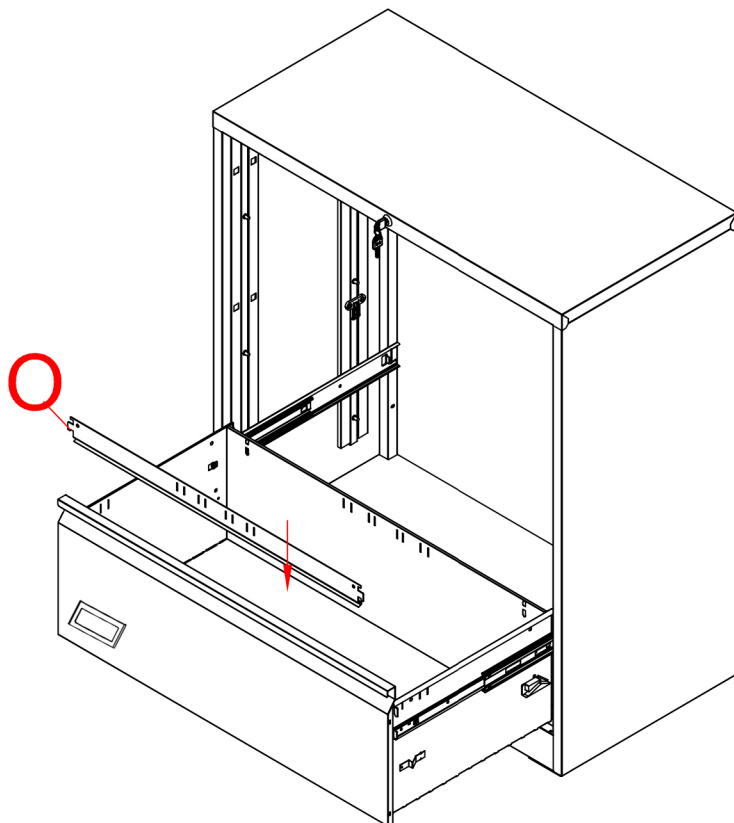
Finish assembly

Slide the Drawer Frame into the Body Frame.



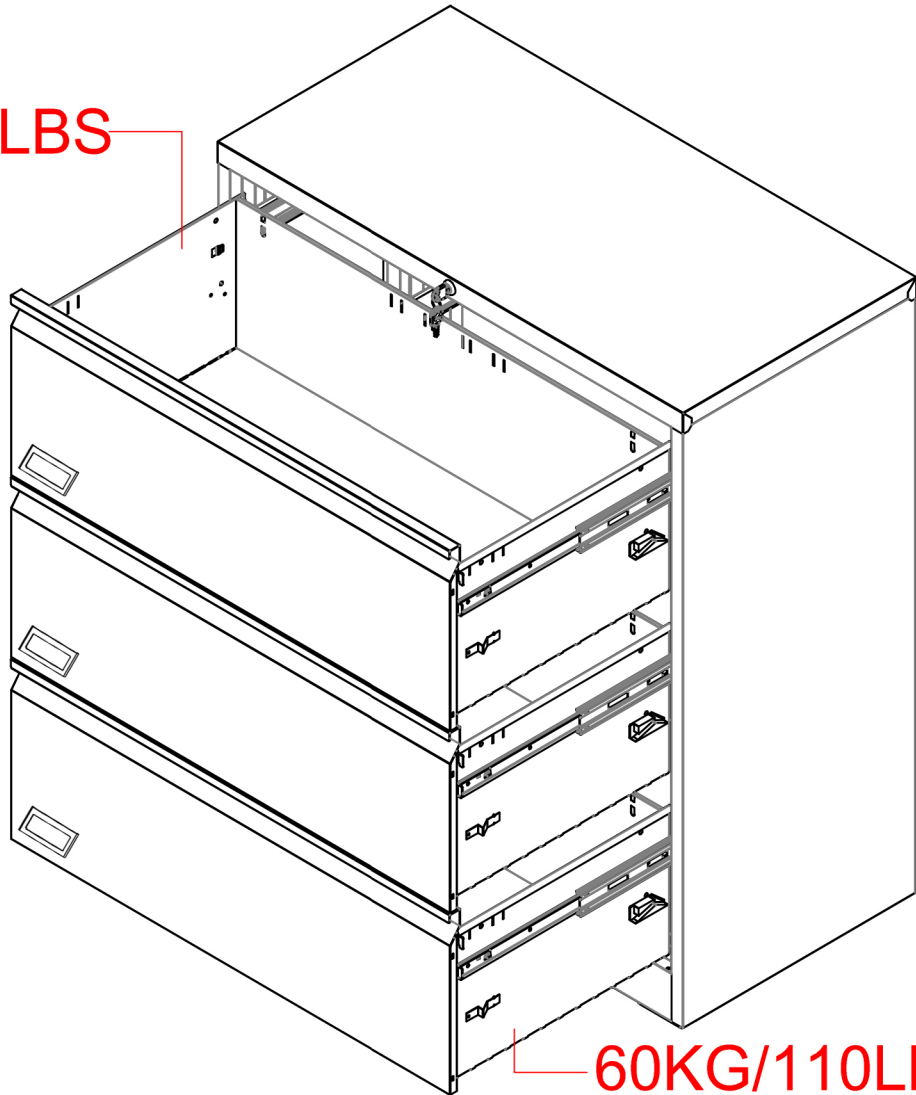
STEP 13

Put Hanging file folder bar (O) and (P) on the Drawer panel (L) .



WEIGHT LIMITS:

60KG/110LBS



60KG/110LBS

Enjoy your furniture!

WARNING

This unit has been designed to support the maximum loads shown. Exceeding these load limits could cause sagging, instability, product collapse, and/or serious injury



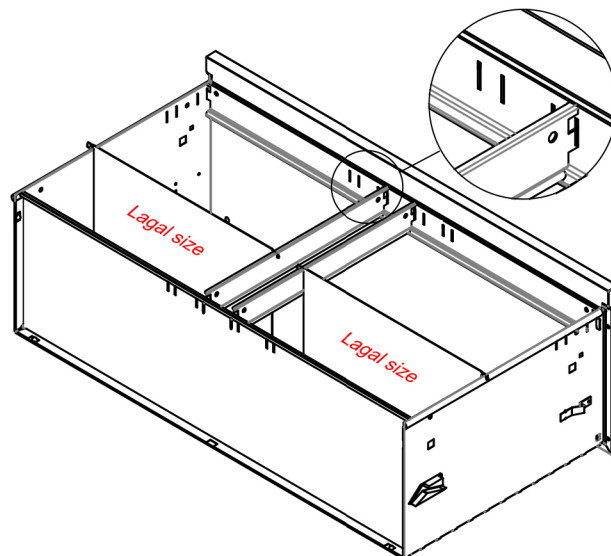
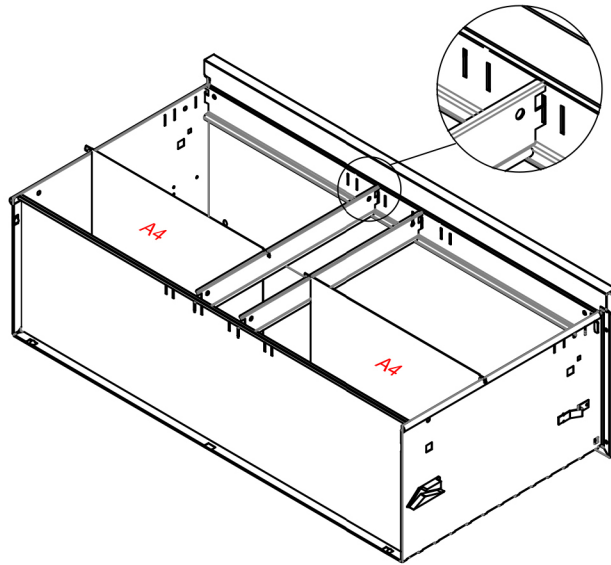
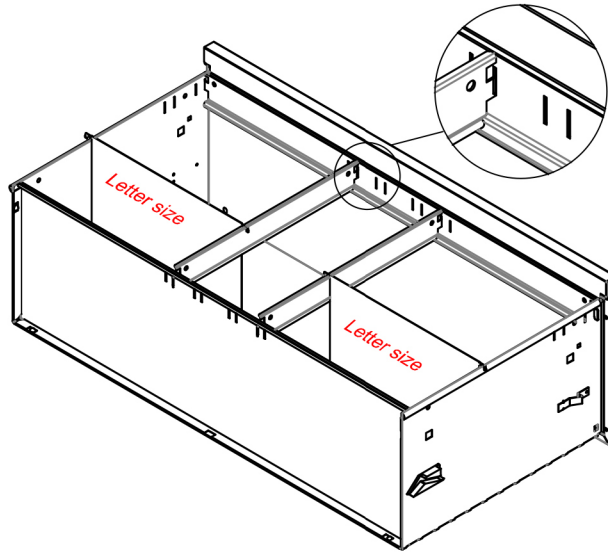
WARNING

Please make sure that all panels are attached securely. All nails must be driven into the parts straight and tightened firmly. Failure to do so could cause instability, product collapse, and/or serious injury.

To prevent tip over:

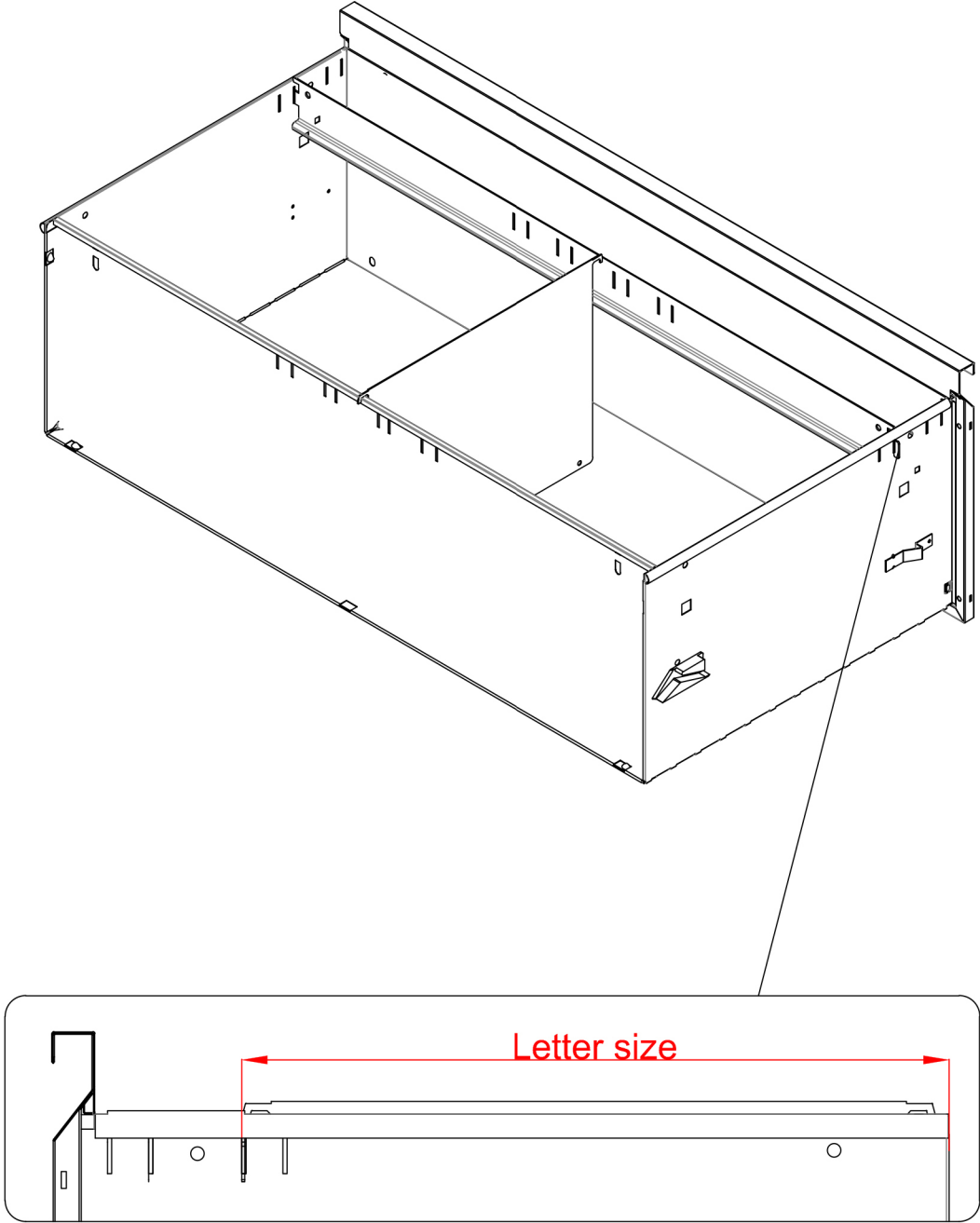
- ◆ Place heaviest items in the second drawer.
- ◆ Unless specifically designed to accommodate, do not set TVs or other heavy objects on the top of this product.
- ◆ Never allow children to climb or hang on drawers.
- ◆ Only one drawer can be open at one time.
- ◆ Never open more than one drawer at a time

Instructions



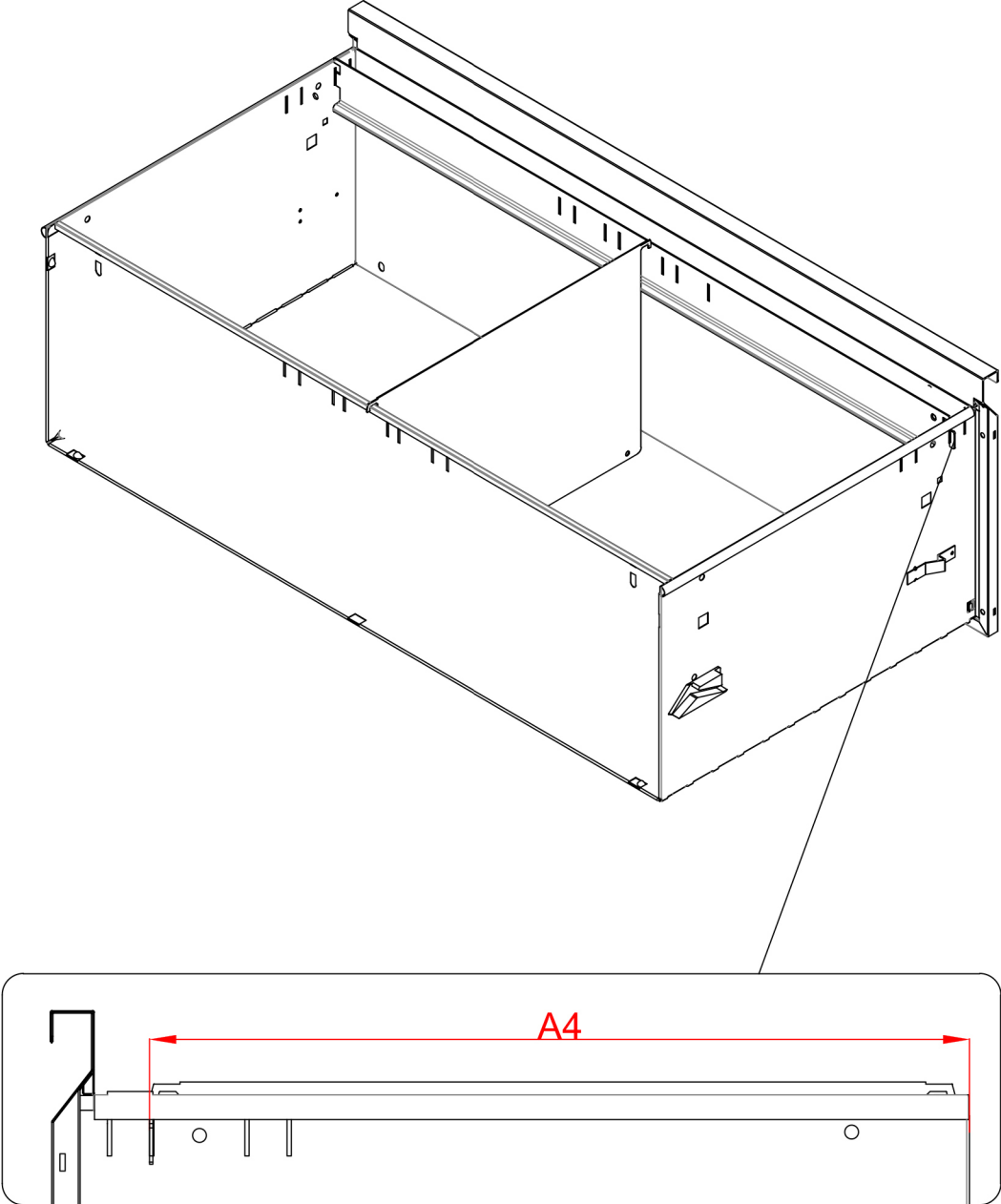
Option 1

For Letter Size File Folders



Option 2

For A4 Size File Folders



Option 3

For Legal Size File Folders

