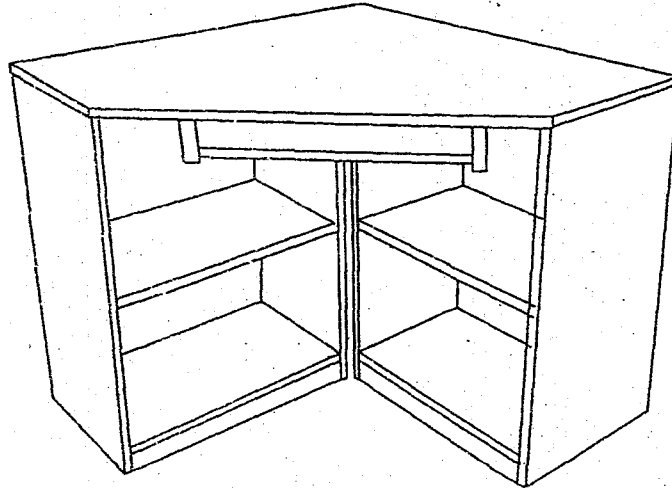


# Assembly Instructions

## Corner Desk

Dimension: 35 x 35 x 6

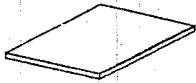
Weight: 74 LBS



### Part List:



(1) x1 Pc  
(2) x1 Pc  
450x60x16mm



(7) x1 Pc  
(8) x1 Pc  
(9) x1 Pc  
(10) x1 Pc  
300x480x16mm



(11) x1 Pc  
(12) x1 Pc  
320x100x16mm



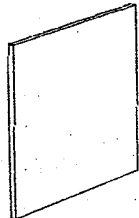
(14) x1 Pc  
600x300x16mm



(3) x1 Pc  
(4) x1 Pc  
(5) x1 Pc  
(6) x1 Pc  
734x300x16mm



(13) x1 Pc  
802x802x16mm



(15) x1 Pc  
(16) x1 Pc  
690x480x3mm

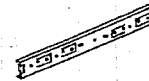
### Hardware List:



A x 36 Pcs    B x 36 Pcs    C x 8 Pcs  
3\*15mm



D x 1 Pcs  
390mm



E x 1 Pcs  
390mm



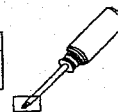
F x 48 Pcs



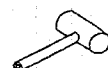
G x 8 Pcs

### Tools Needed (Not included):

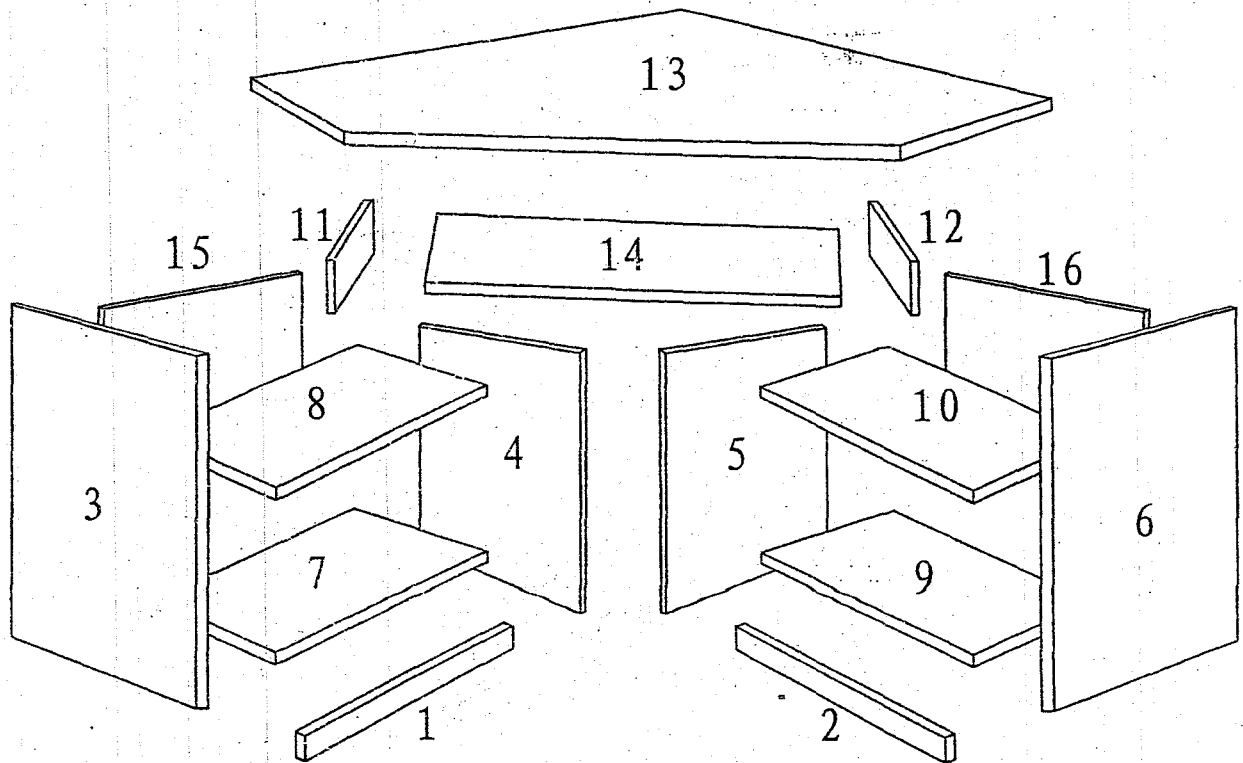
Screwdriver:



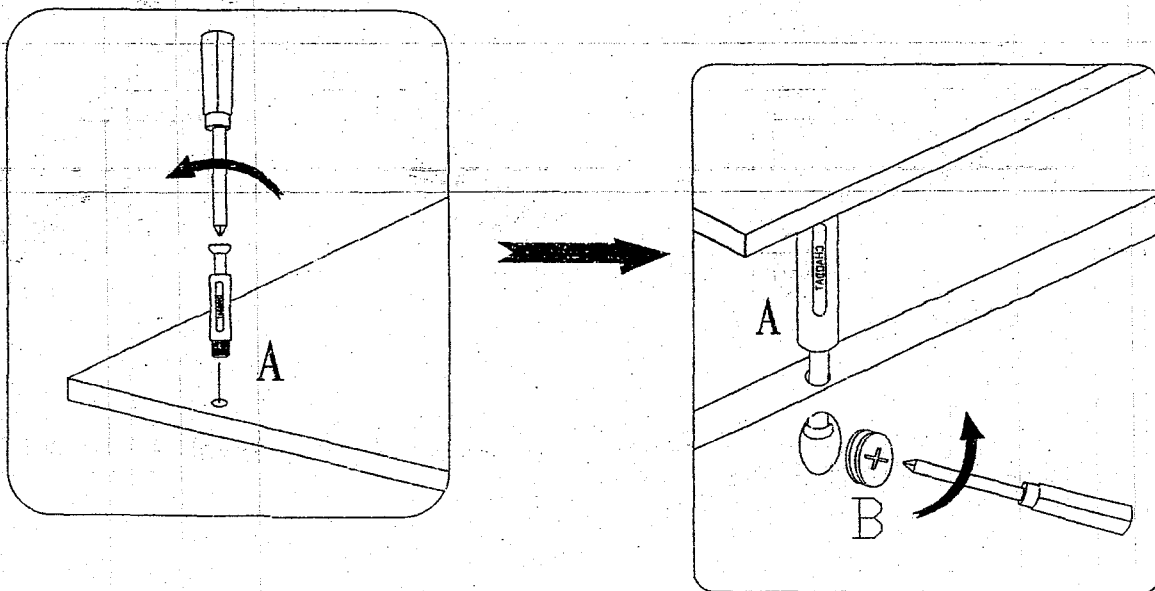
Hammer:



# Corner Desk



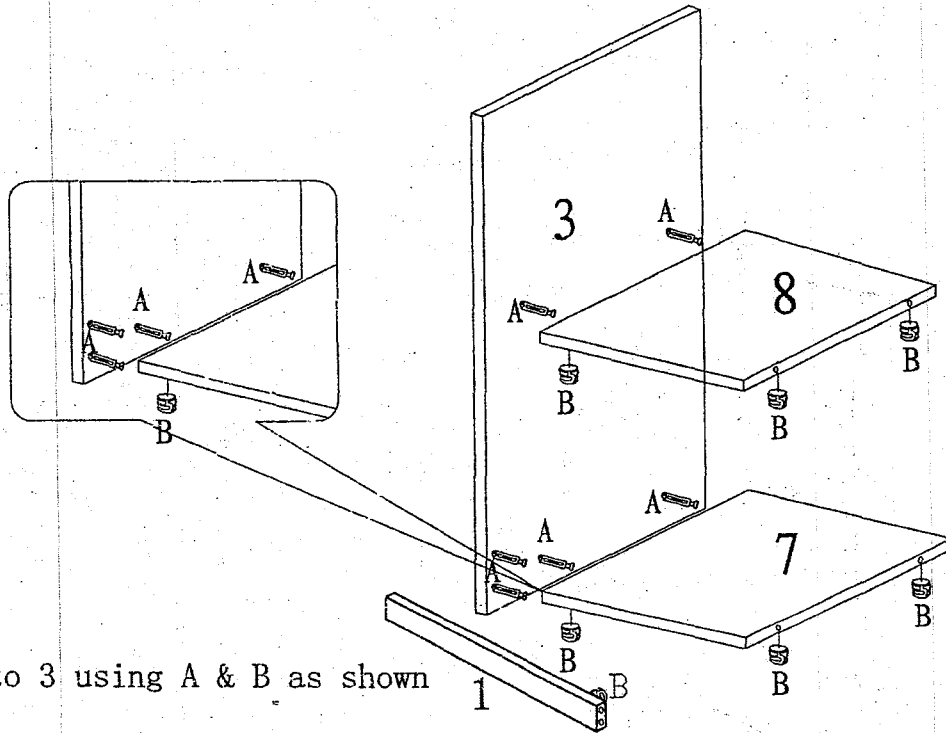
## Assembly of Cam lock A & B:



# Corner Desk

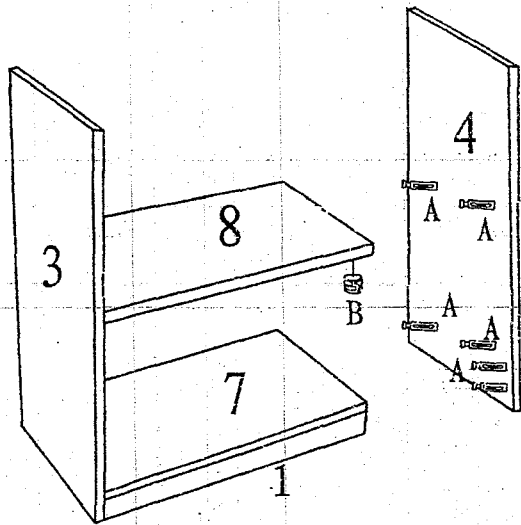
STEP 1 Screw all bolts (A) to all parts

STEP 2



Assemble 1,7,8 to 3 using A & B as shown

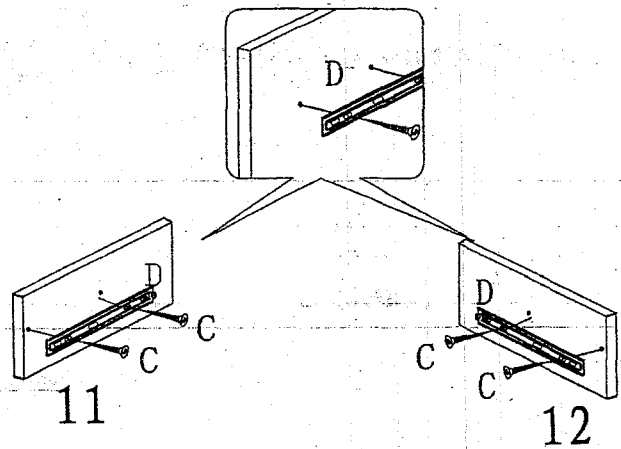
STEP 3



Assemble 4 to 1,7 & 8 using A & B as shown

STEP 4 Assemble 2,5,6,9,10 as STEP 2 & STEP 3

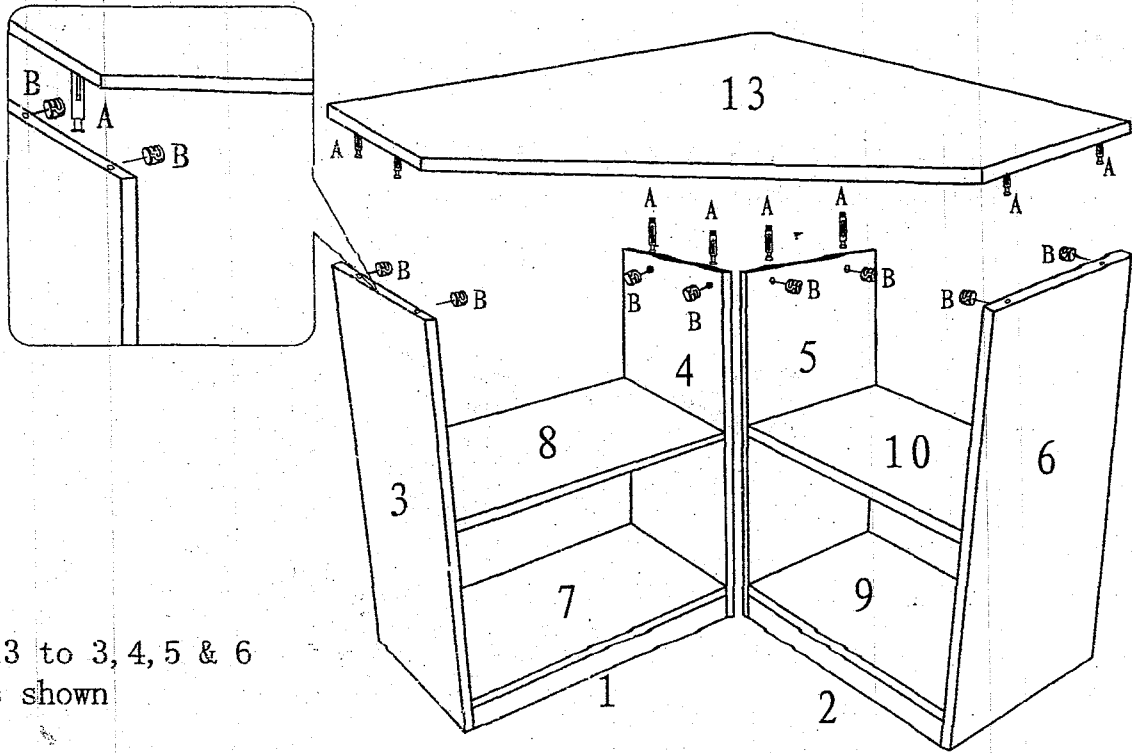
STEP 5



Assemble D to 11 & 12 using C as shown

# Corner Desk

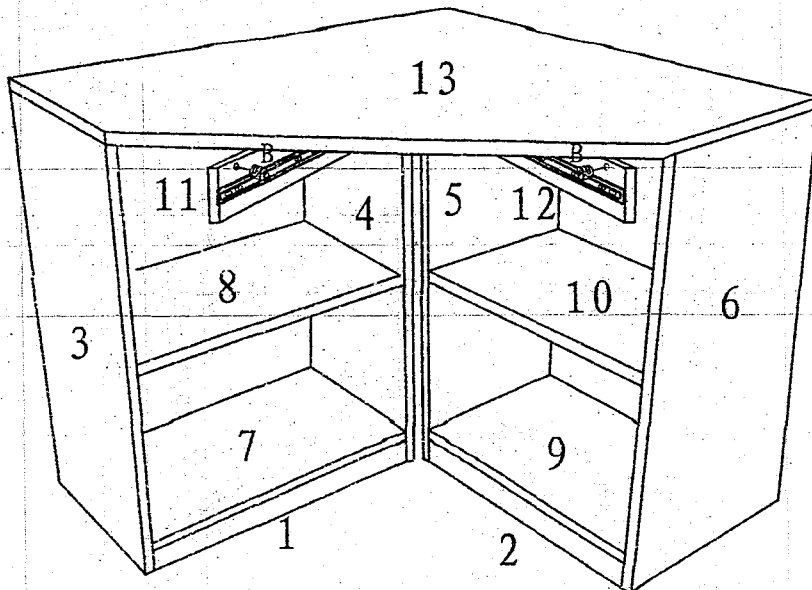
STEP 6



Assemble 13 to 3, 4, 5 & 6 using C as shown

STEP 7

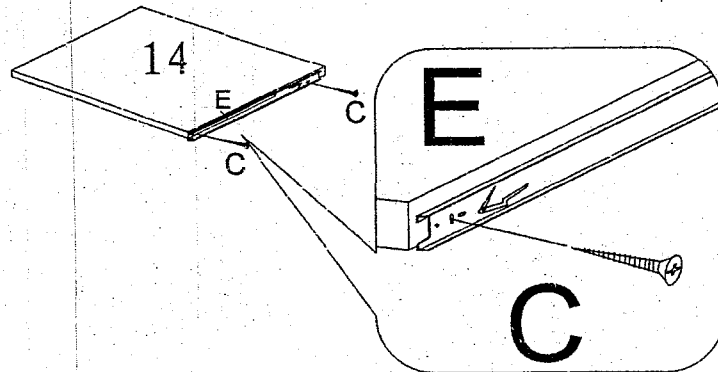
Assemble 11, 12 to 13 using A & B as shown



## Corner Desk

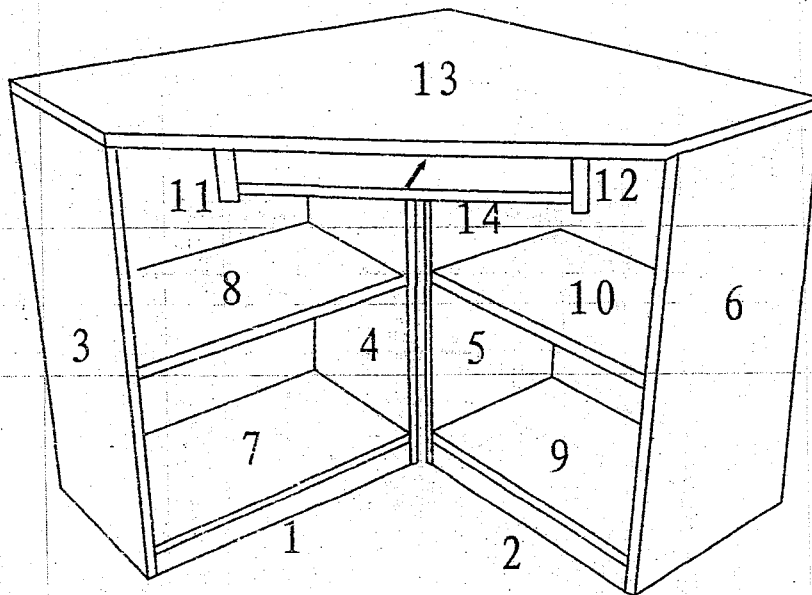
### STEP 8

Assemble E to 14 using C as shown for both side of panel.



### STEP 9

Insert 14 to 11 & 12 as shown



### STEP 10

Assemble 15 & 16 to 3, 4, 7, 8, 13 & 5, 6, 9, 10, 13 using F