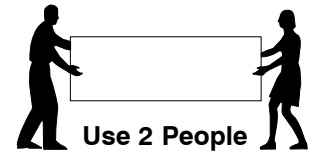
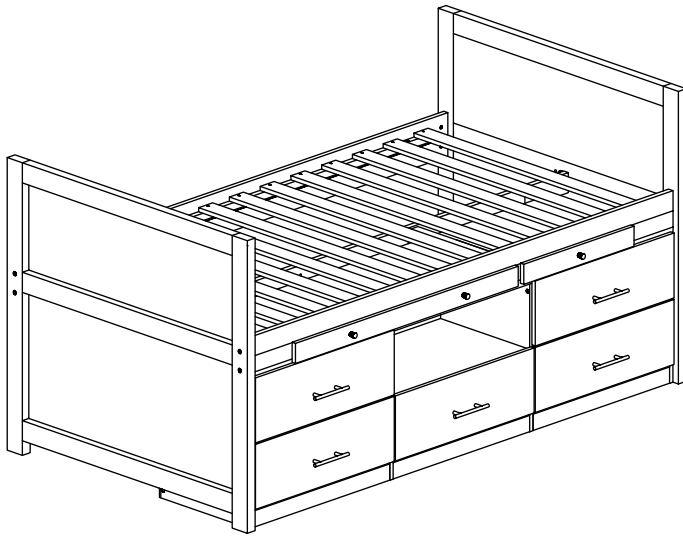


Twin Captain's Bed

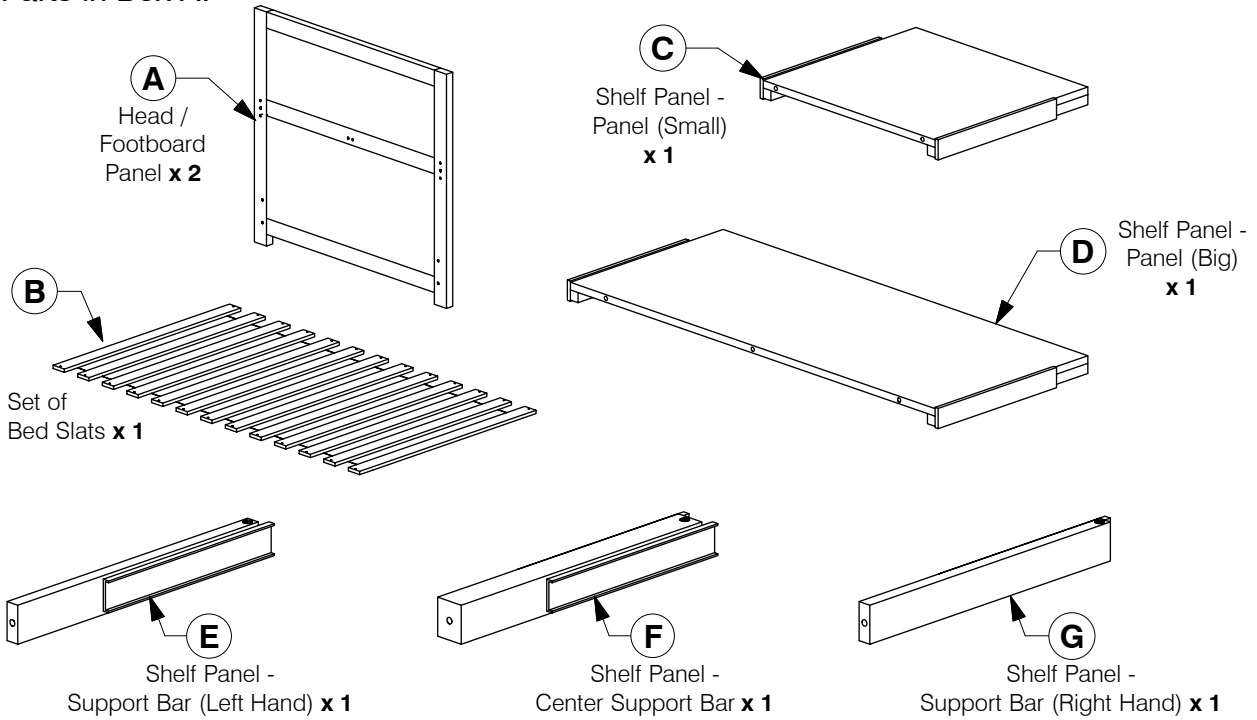
Assembly Instructions



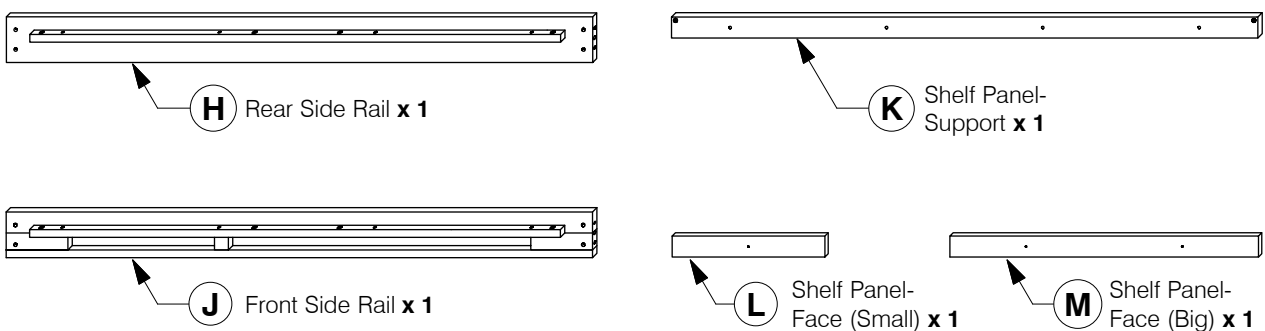
Note: Do not assemble using power tools. This can cause the bolts to be overtightened

1 Parts List

Parts in Box A:



Parts in Box B:

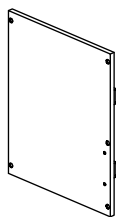


Twin Captain's Bed

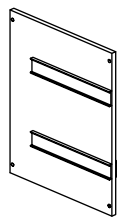
Assembly Instructions

1 Part List

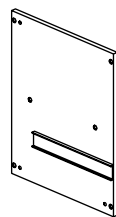
Parts in Box C:



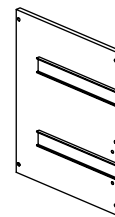
N Lower Drawer-Side Panel (Left Hand) x 1



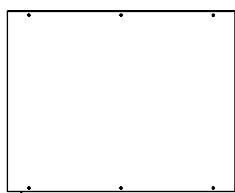
O Lower Drawer-Center Panel (Left Hand) x 1



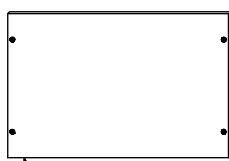
P Lower Drawer-Center Panel (Right Hand) x 1



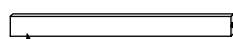
Q Lower Drawer-Side Panel (Right Hand) x 1



R Lower Drawer-Back Panel x 3



S Lower Drawer-Shelf Panel x 1



T Lower Drawer-Support Bar x 8



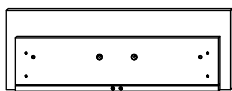
V1 Lower Drawer-Drawer Bottom x 5



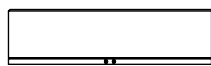
U Lower Drawer-Center Support Bar x 3



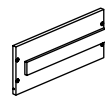
V2 Lower Drawer-Drawer Rail x 5



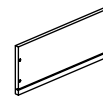
V3 Lower Drawer-Drawer Face x 5



V4 Lower Drawer-Drawer Back x 5



V5 Lower Drawer-Drawer Side (Left Hand) x 5



V6 Lower Drawer-Drawer Side (Right Hand) x 5

2 Hardware List



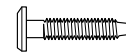
1 M6 x 70mm JCB x 8



2 M6 x 50mm JCB x 3



3 M6 x 40mm JCB x 11



4 M6 x 30mm JCB x 20



5 M6 x 15mm JCB x 24



6 Wood Dowel (10 x 40mm) x 4



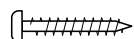
7 Wood Dowel (8 x 30mm) x 5



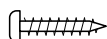
8 Wood Dowel (6 x 25mm) x 20



9 Barrel Nut x 8



10 Wood Screw (M4 x 32mm) x 18



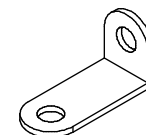
11 Wood Screw (M4 x 25mm) x 50



12 Wood Screw (M4 x 16mm) x 28



13 'L' Bracket (5005-3) x 12



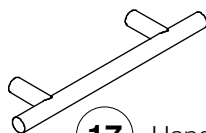
14 'L' Bracket (5003) x 5



15 M4 x 22mm x 13



16 Handle (1005) x 3



17 Handle (5003) x 5

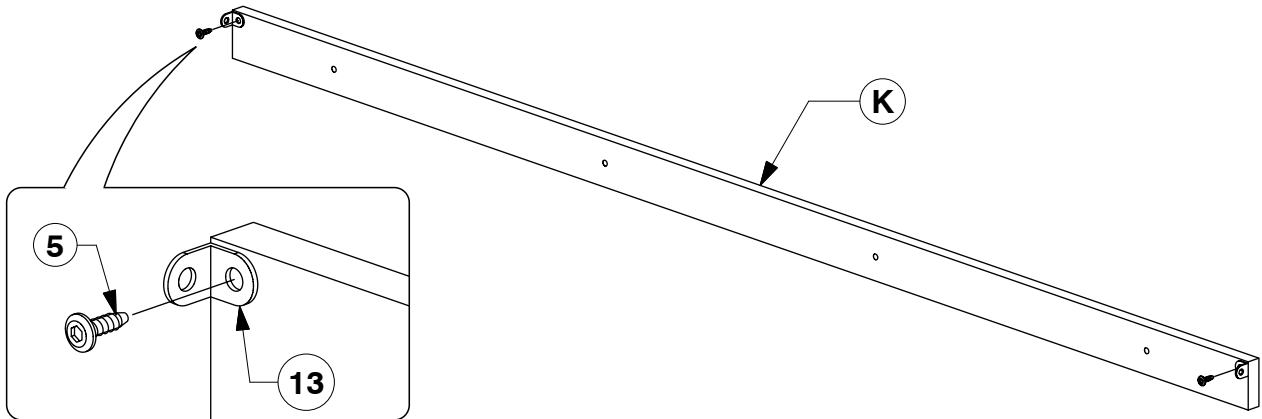


18 Allen Key x 1

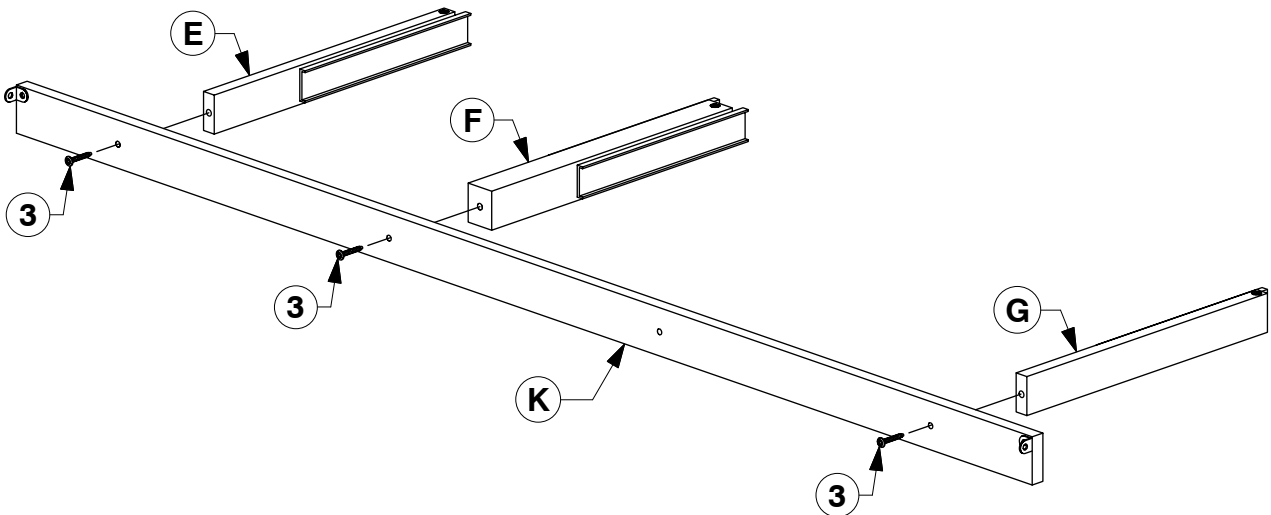
Twin Captain's Bed

Assembly Instructions

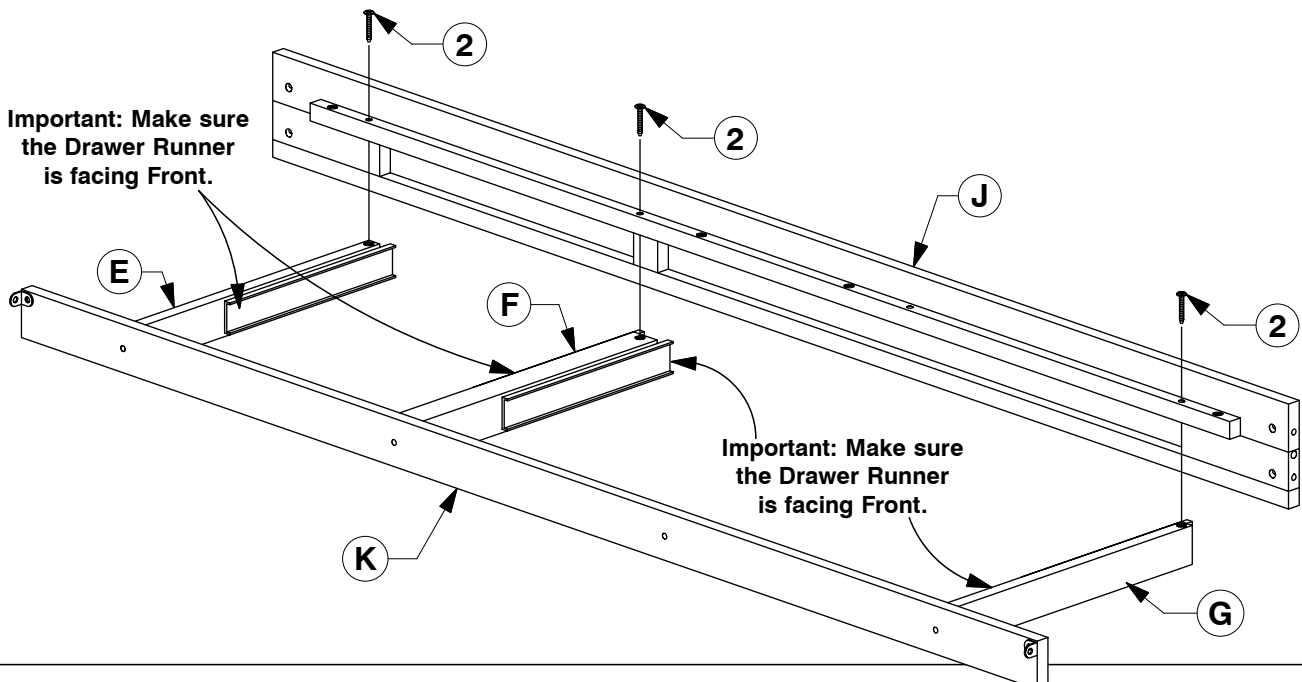
- 3** Fit the 'L' Bracket (13) to the Shelf Panel- Support (K).



- 4** Fit the Shelf Panel- Support Bar (E, F & G) to the Shelf Panel- Support (K).



- 5** Assemble the Front Side Rail (J) to the Shelf Panel- Support Bar (E, F & G).

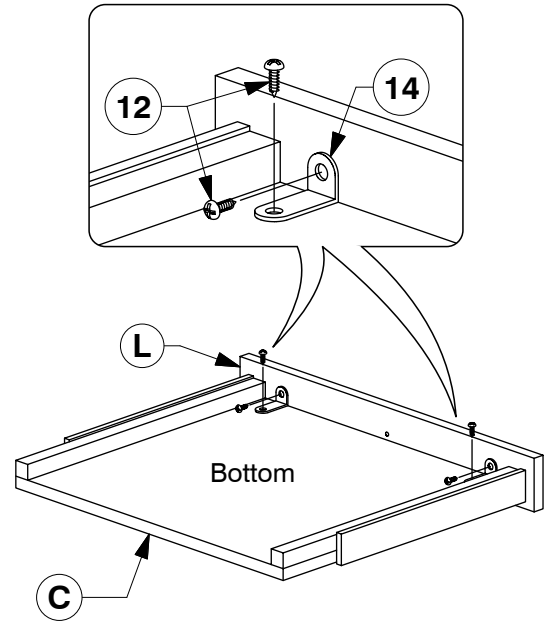
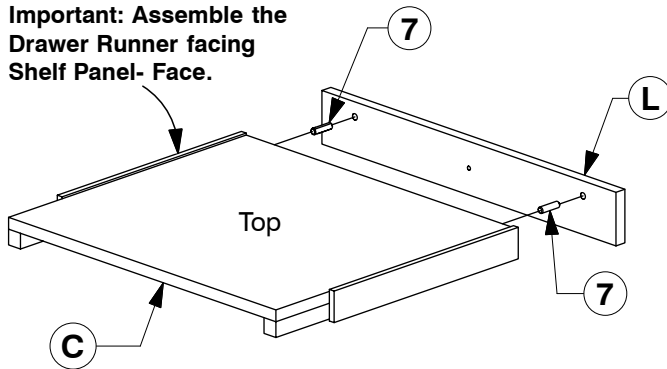


Twin Captain's Bed

Assembly Instructions

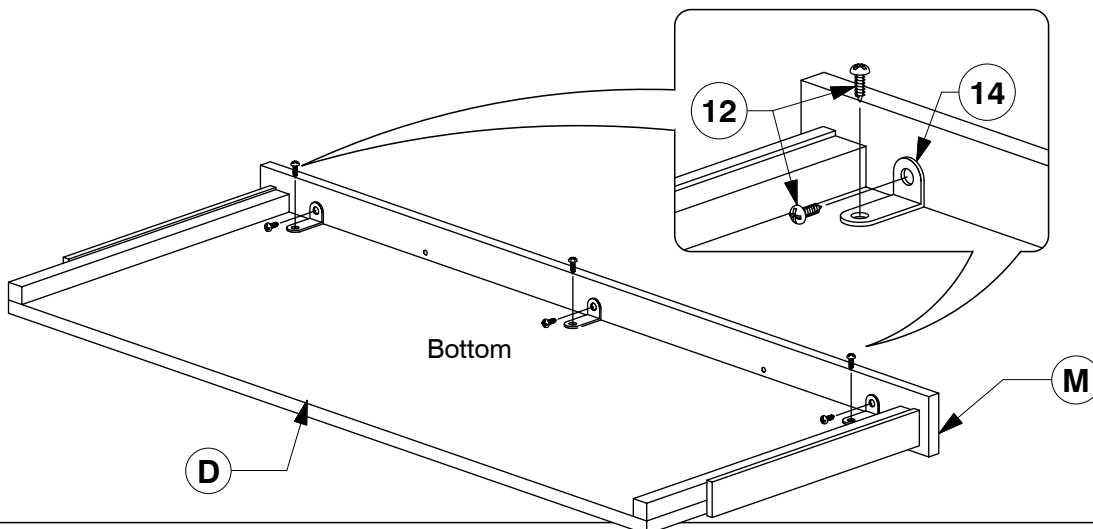
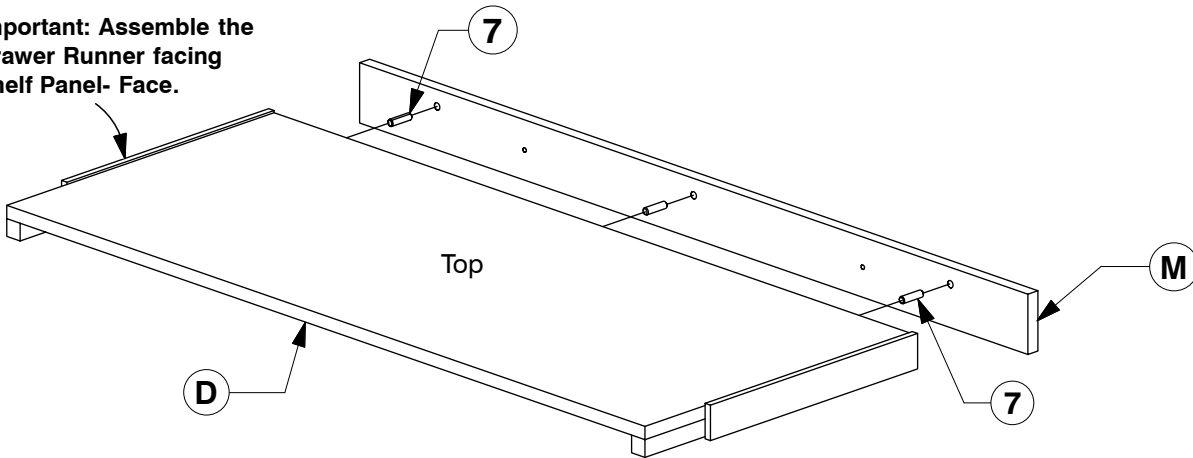
- 6** Assemble the Shelf Panel- Face (L) to the Panel (C) as shown in below.

Important: Assemble the Drawer Runner facing Shelf Panel- Face.



- 7** Assemble the Shelf Panel- Face (M) to the Panel (D) as shown in below.

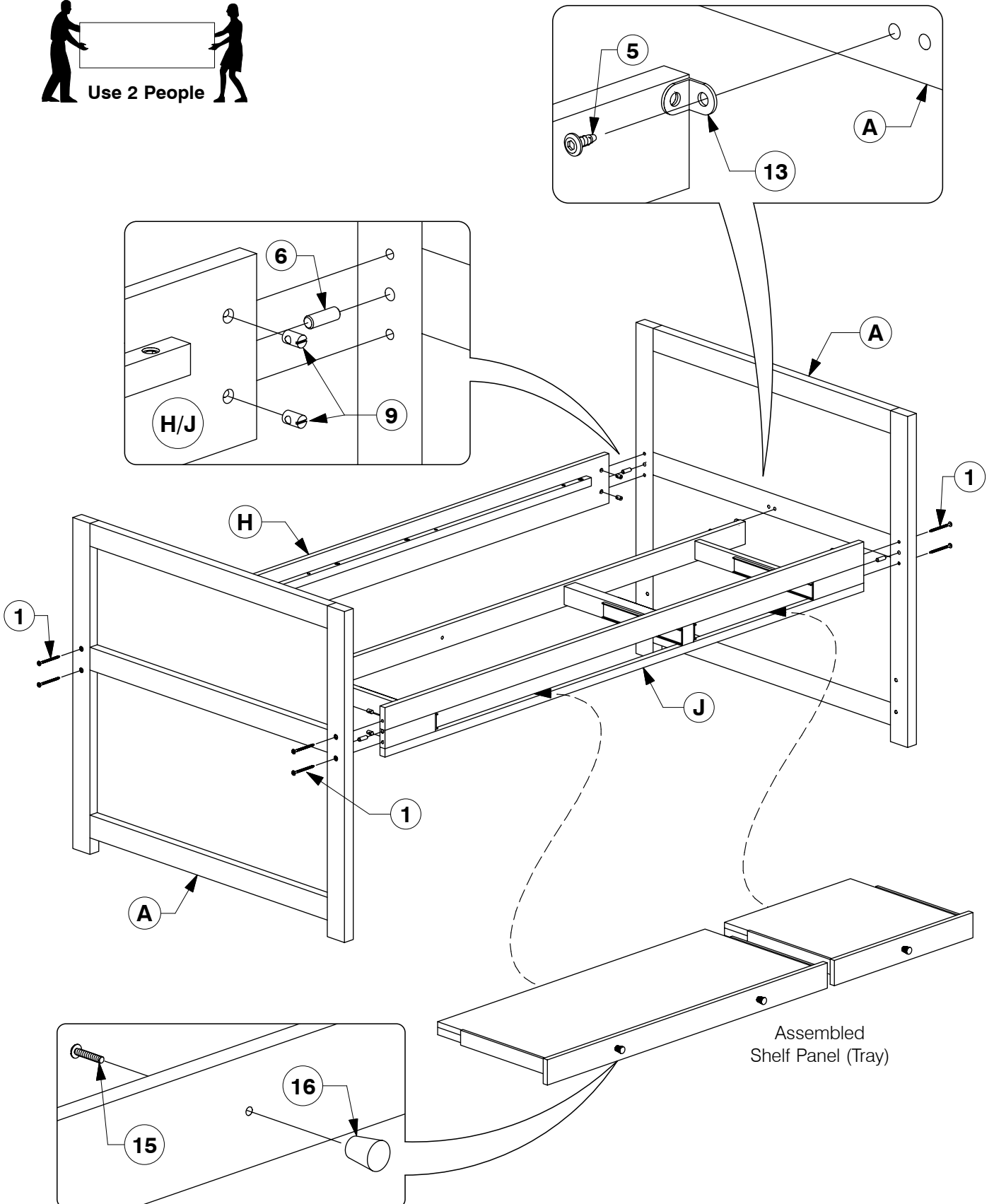
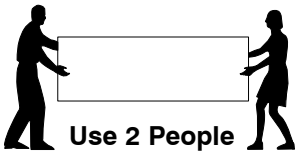
Important: Assemble the Drawer Runner facing Shelf Panel- Face.



Twin Captain's Bed

Assembly Instructions

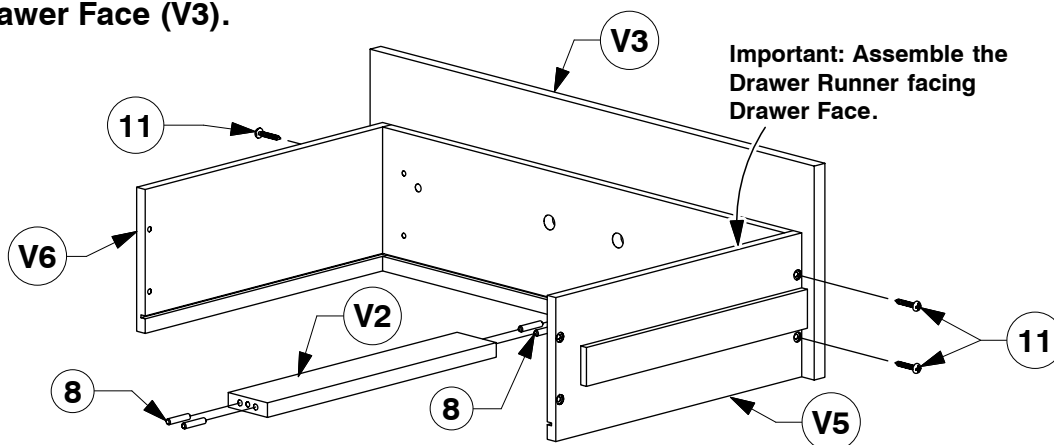
- 8** Assemble the Side Rail (H & J) to the Head / Footboard Panel (A).



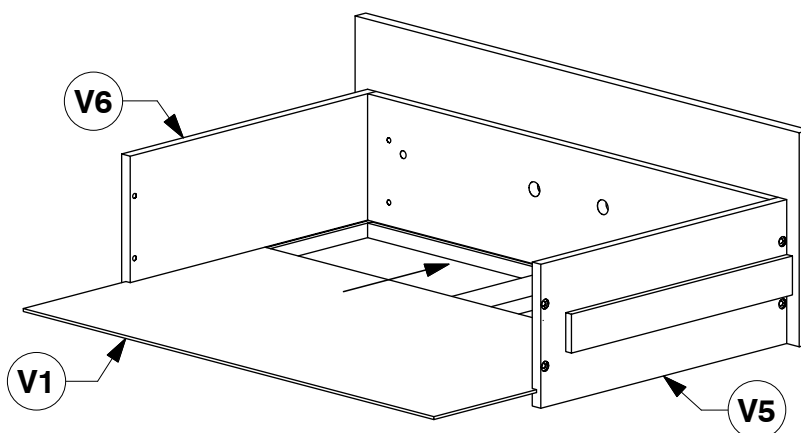
Twin Captain's Bed

Assembly Instructions

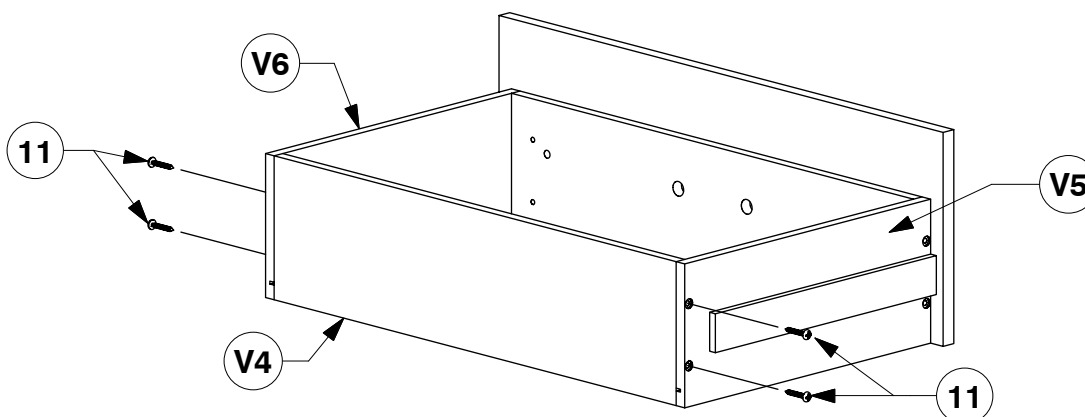
- 9** Assemble the Drawer Sides (V5/V6) and Drawer Rail (V2) to the Drawer Face (V3).



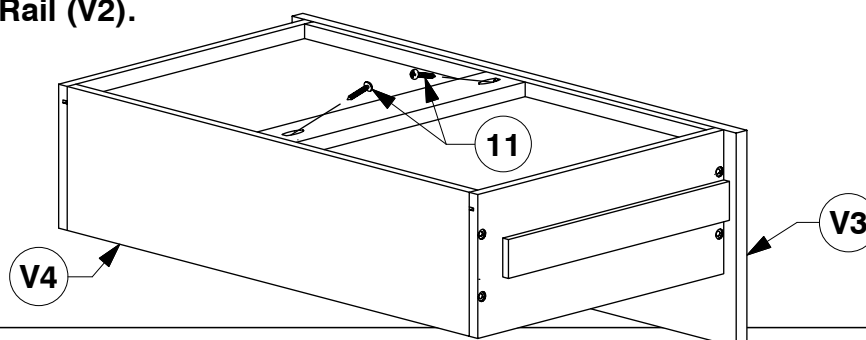
- 10** Slide the Drawer Bottom (V1) into the groove on the Drawer Sides (V5/V6).



- 11** Assemble the Drawer Back (V4) to the Drawer Sides (V5/V6).



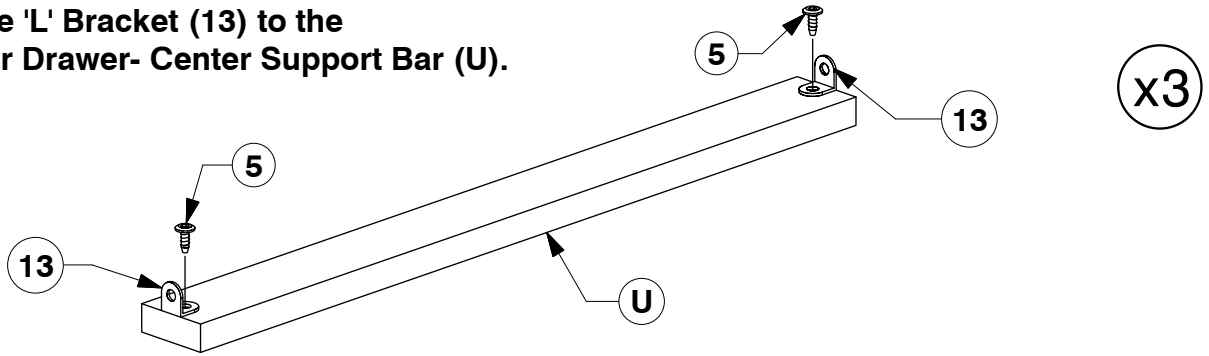
- 12** Turn the Drawer over to fit angled 25mm Wood screws (11) to the Drawer Rail (V2).



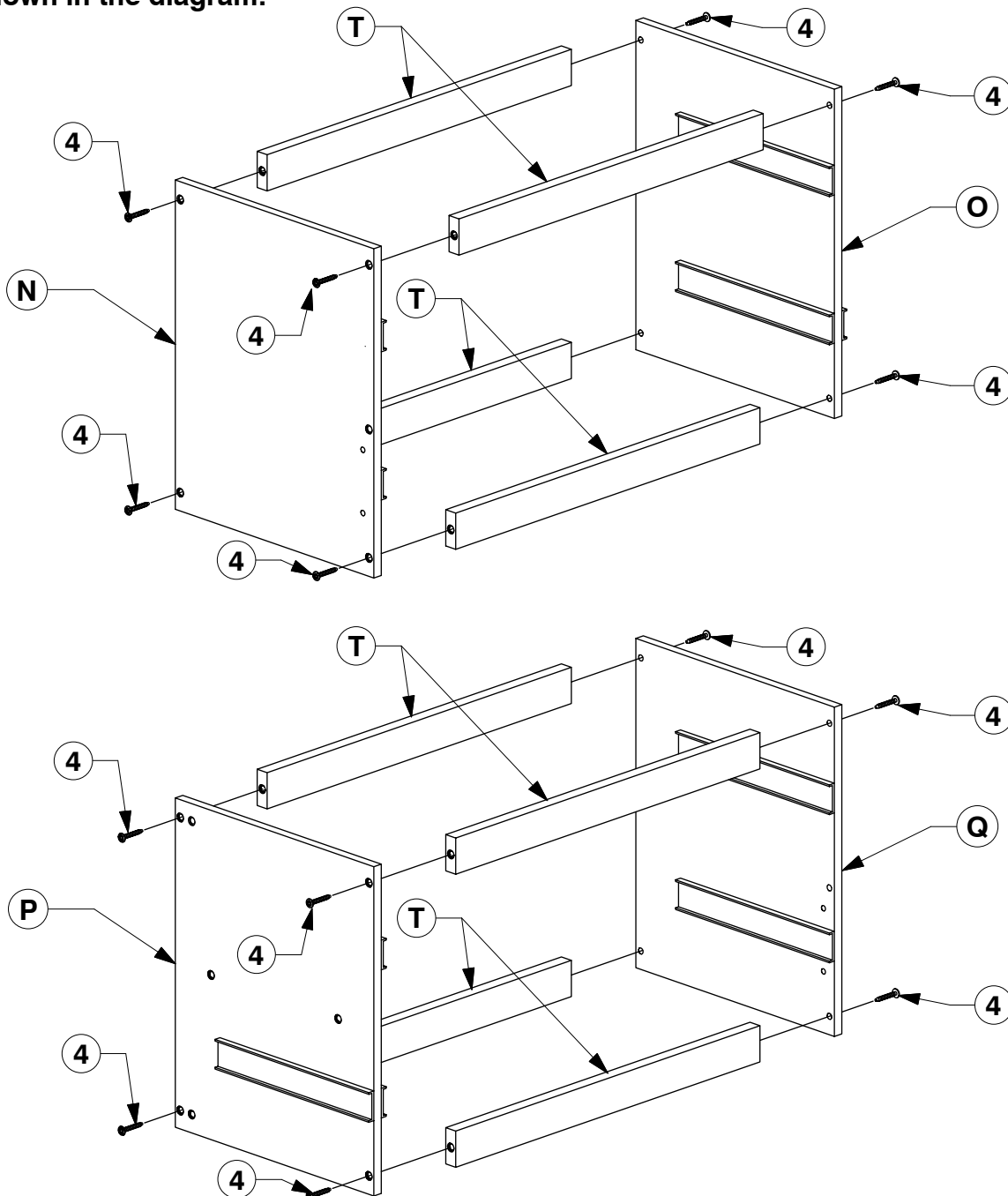
Twin Captain's Bed

Assembly Instructions

- 13** Fit the 'L' Bracket (13) to the Lower Drawer- Center Support Bar (U).



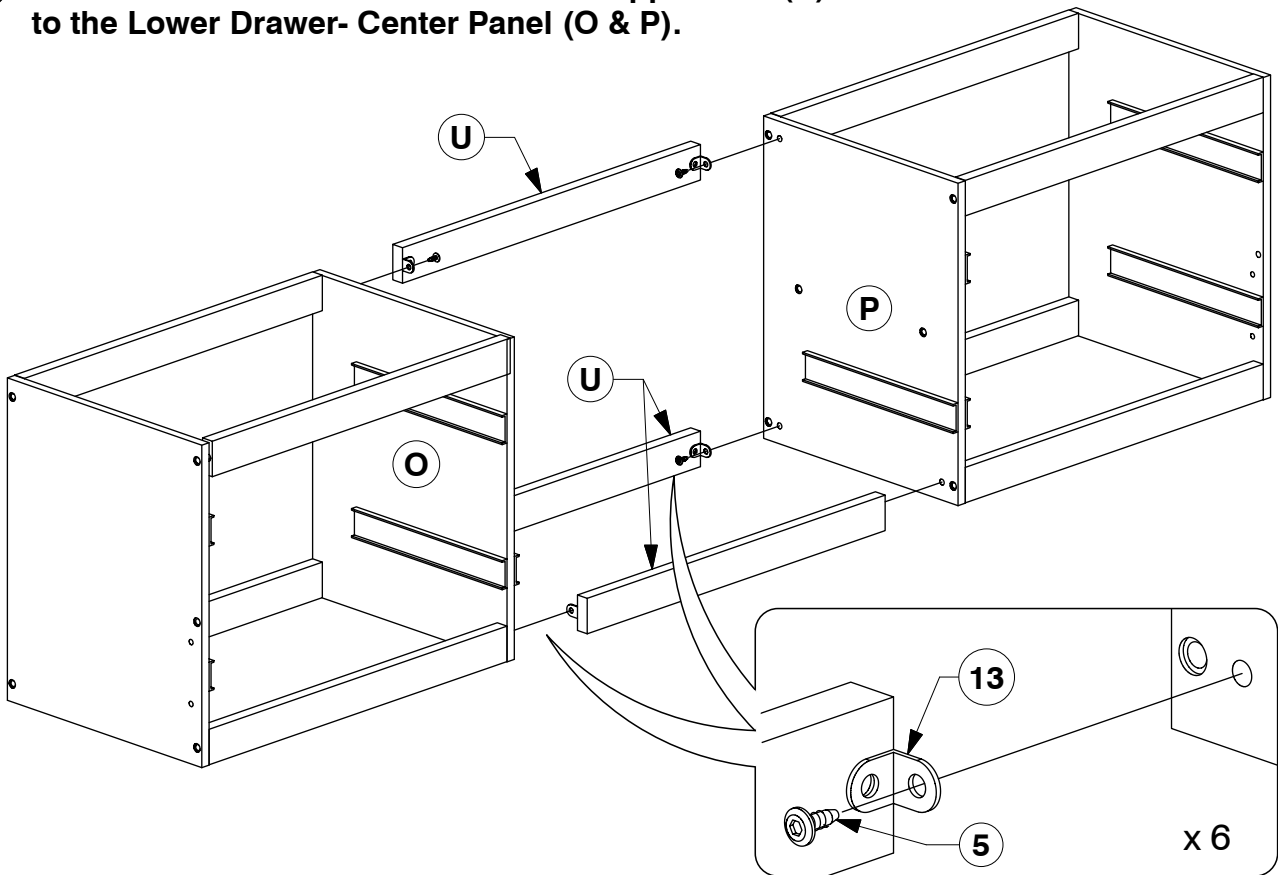
- 14** Assemble the Lower Drawer- Support Bar (T) to the Lower Drawer- Side / Center Panel (N, O, P & Q) shown in the diagram.



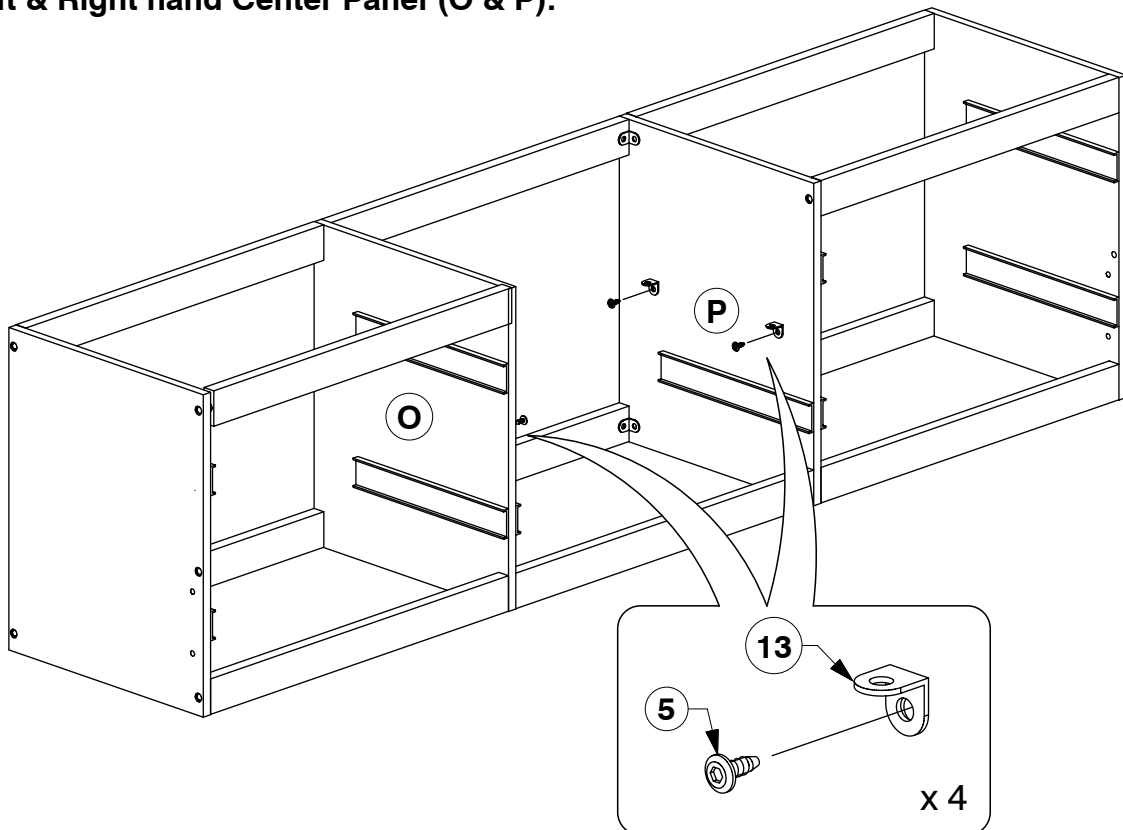
Twin Captain's Bed

Assembly Instructions

- 15** Assemble the Lower Drawer- Center Support Bar (U) to the Lower Drawer- Center Panel (O & P).



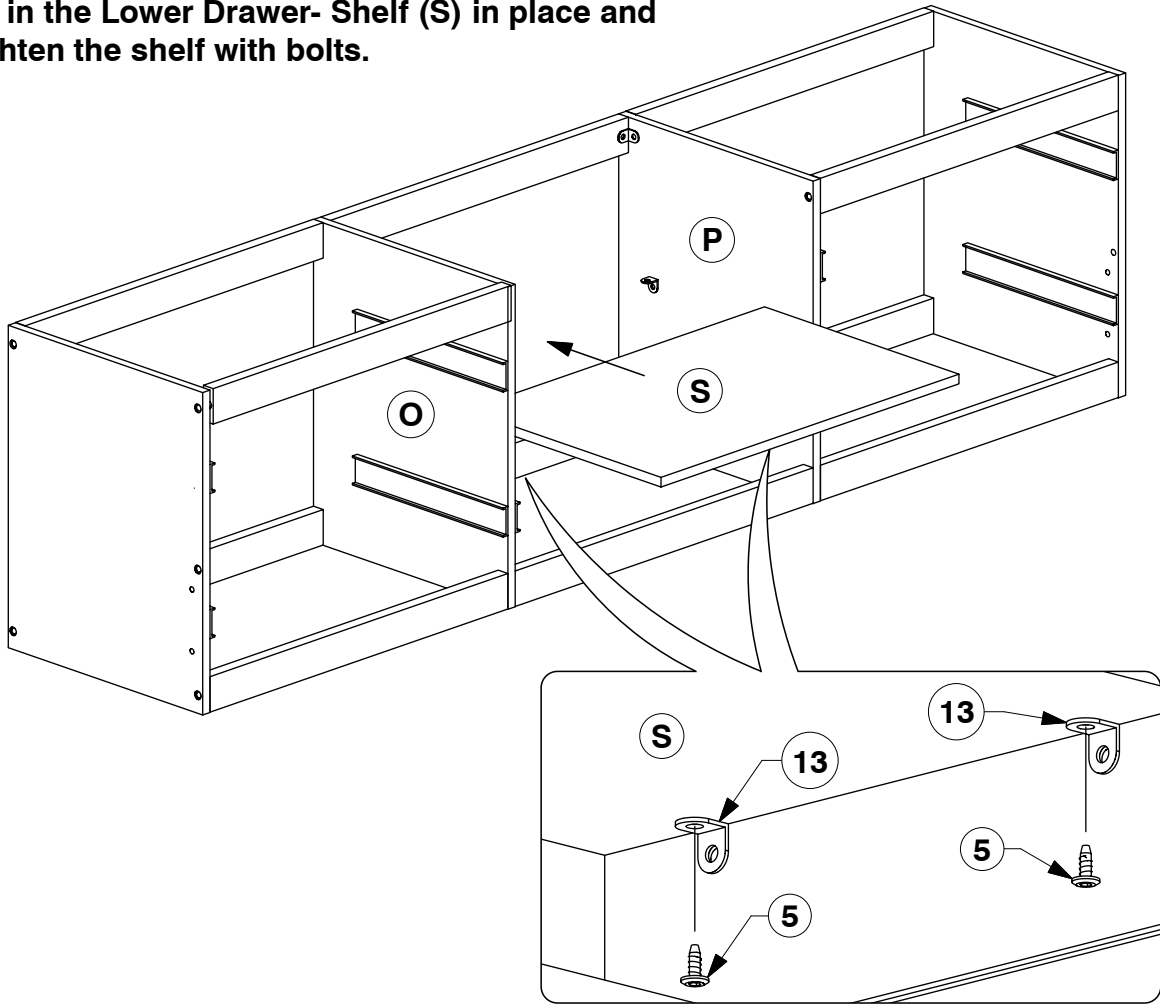
- 16** Fit the 'L' Brackets to the Lower Drawer- Left & Right hand Center Panel (O & P).



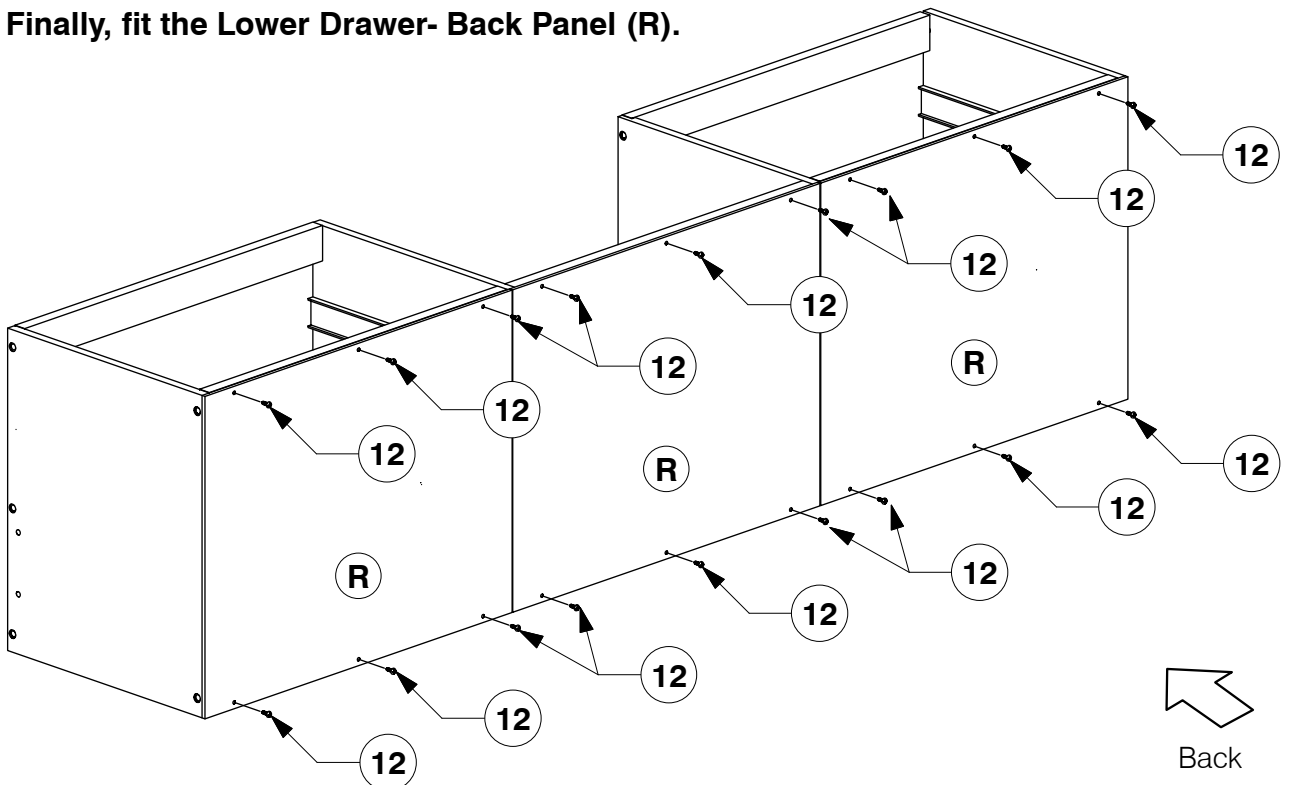
Twin Captain's Bed

Assembly Instructions

- 17** Fit in the Lower Drawer- Shelf (S) in place and tighten the shelf with bolts.



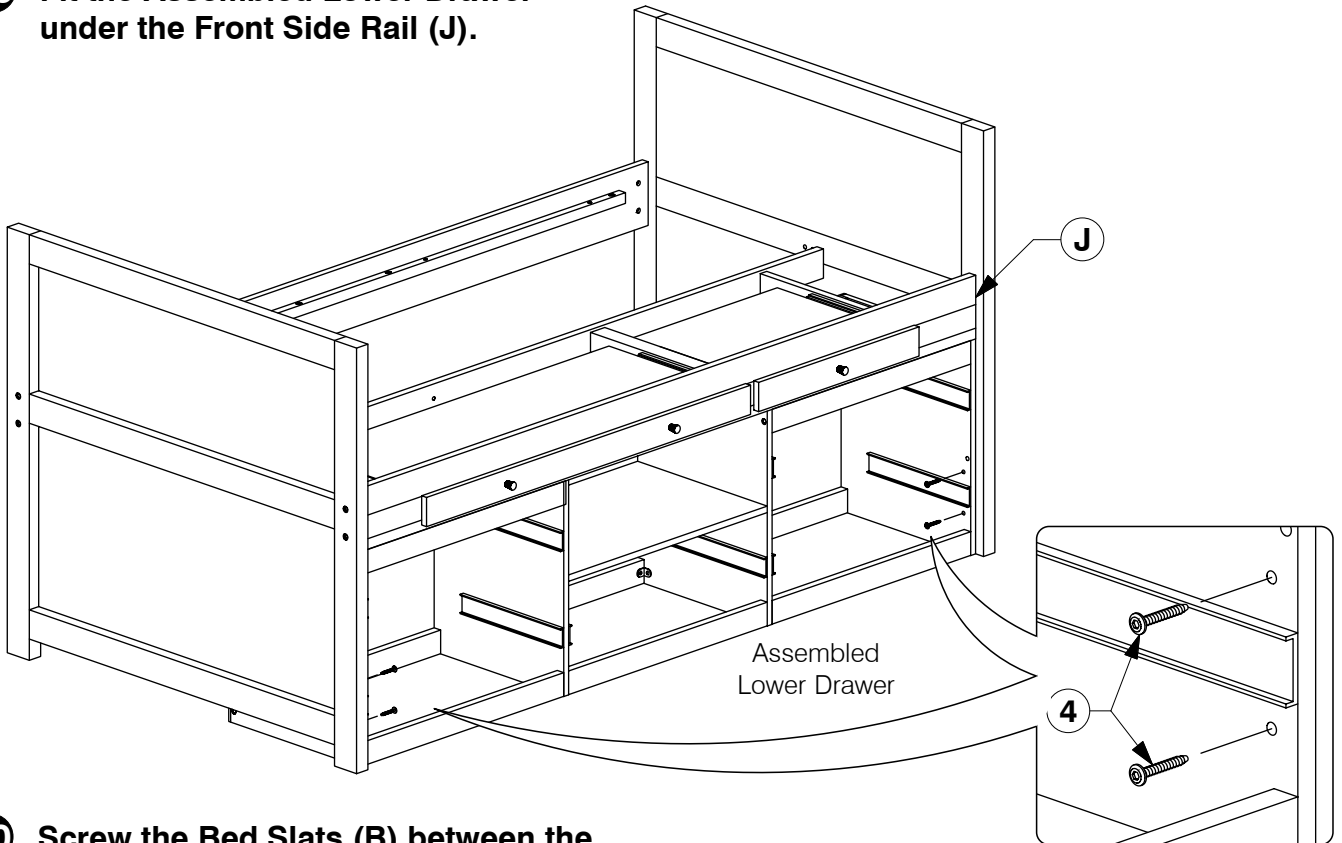
- 18** Finally, fit the Lower Drawer- Back Panel (R).



Twin Captain's Bed

Assembly Instructions

- 19** Fit the Assembled Lower Drawer under the Front Side Rail (J).



- 20** Screw the Bed Slats (B) between the Side Rail (H & J). Finally, fit the assembled Drawers.

