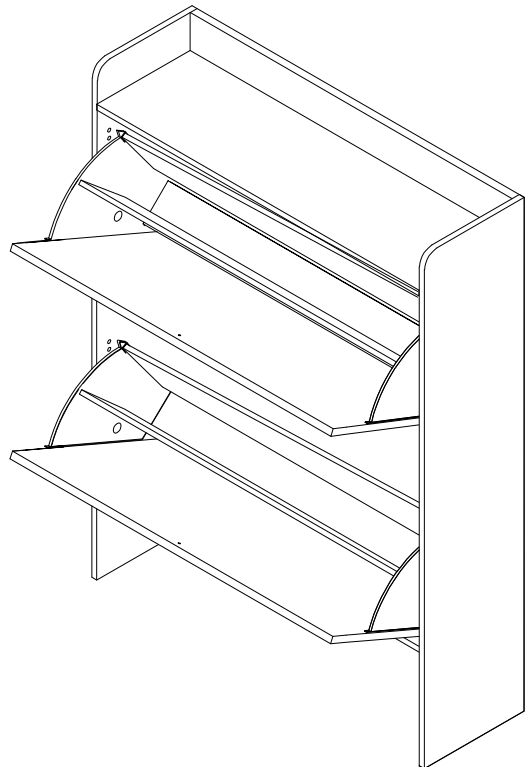
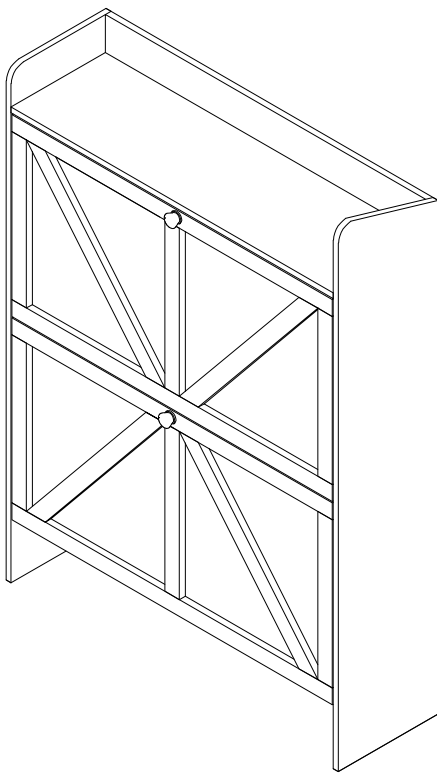


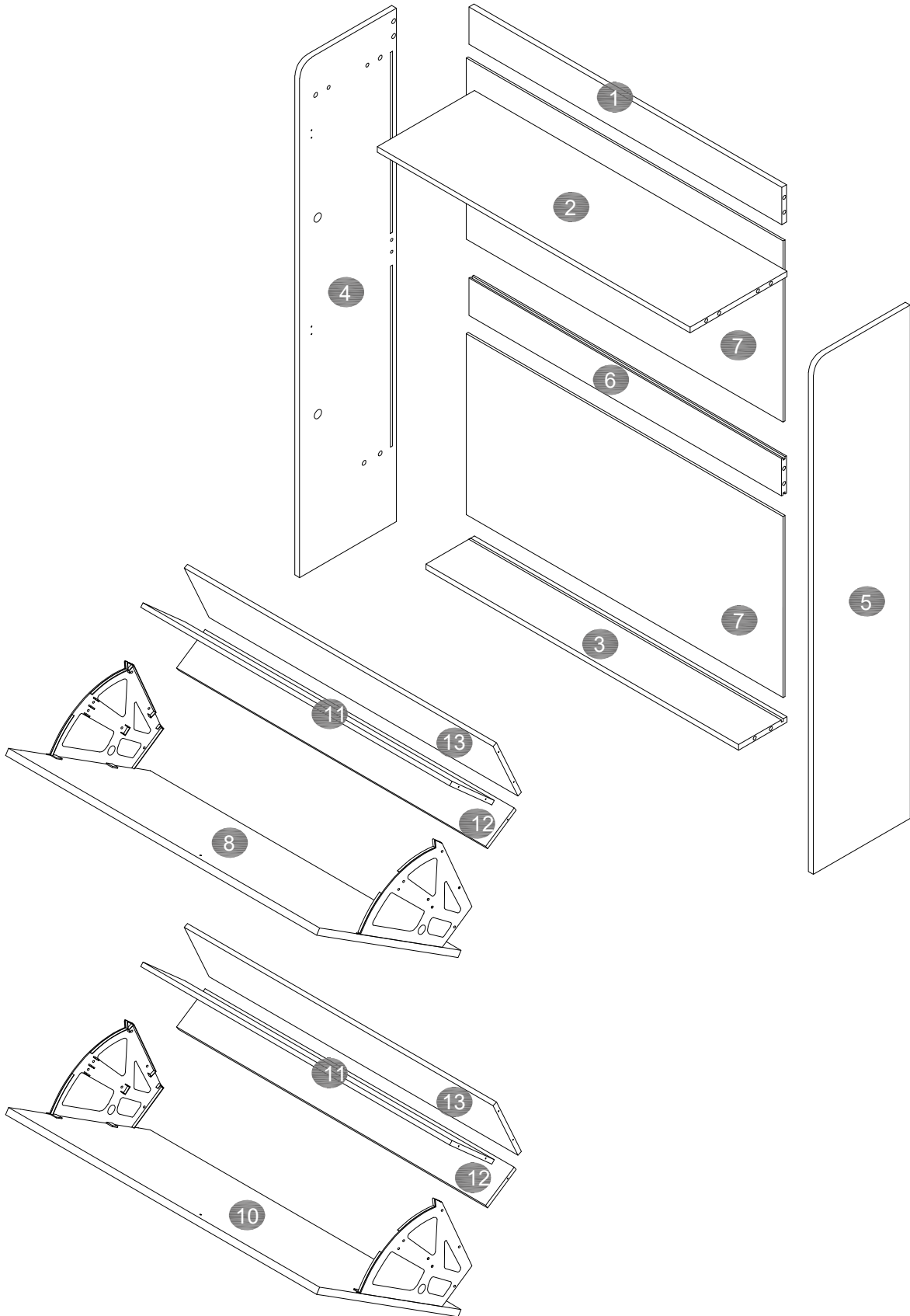
Assembly Manual

Shoe Rack



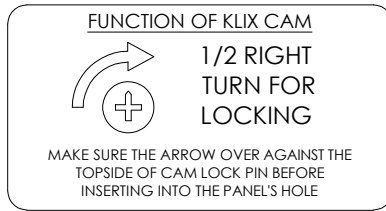
Please read this manual carefully before any operation and keep it properly for future use.

Exploded View



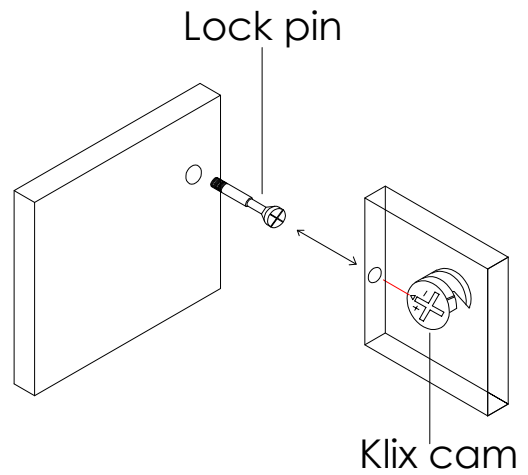
Warnings

ATTENTION:



IMPORTANT!

After 180° right turn, if there is a gap between the boards, please check whether the cam lock pin is tightened enough.



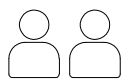
Components List

A M6*40(*16+2)	B Ø15*9.5(*16+2)	C Ø8*40(*4)
D *4	E M3.5*12(*40+2)	F *2
G *10	H *2	I *1

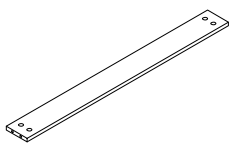
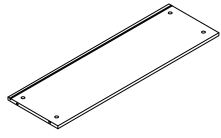
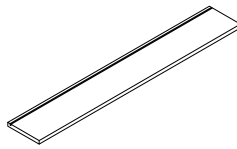
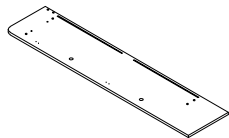
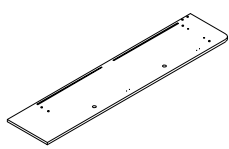
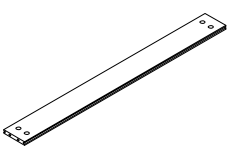
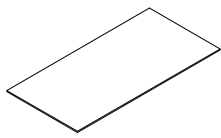
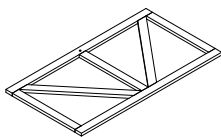
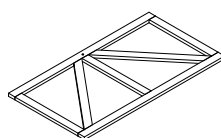
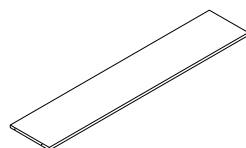
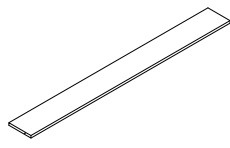
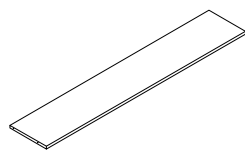
Components List

30 min

Assembly Time



Two People

 ① 1PCS	 ② 1PCS	 ③ 1PCS	 ④ 1PCS	 ⑤ 1PCS
 ⑥ 1PCS	 ⑦ 2PCS	 ⑧ 1PCS	 ⑩ 1PCS	 ⑪ 2PCS
 ⑫ 2PCS	 ⑬ 2PCS			

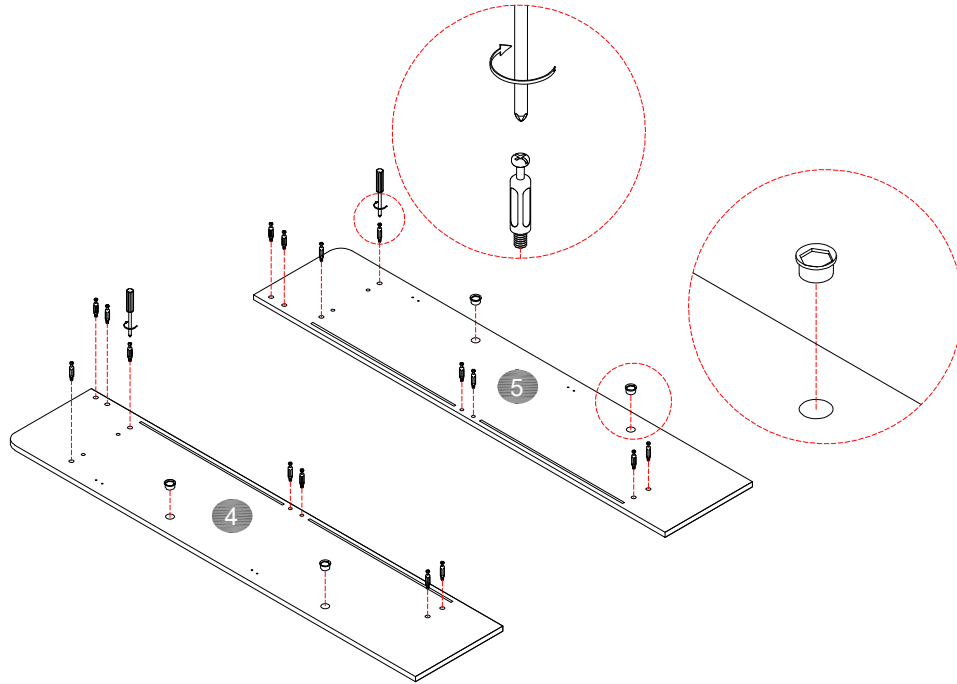
TIPS

1. When installing the product, use a soft surface (such as carpet or cardboard) to avoid scratching or damaging the surface of product.
2. Please try to use a manual screwdriver instead of electric screw driver. A manual screwdriver can be used to better control the tightness of the screws.
3. Do not use any glue.
4. The product is unstable before it is assembled. Please pay attention to the product installation sequence, and align all screws and screw holes before tightening.
5. The structure of this product can not meet the requirements of climbing.

Assembly Instruction

STEP 1

Screw the cam lock pin(A) to the boards(4&5), and insert the accessories of flip rack(D02) to the boards.



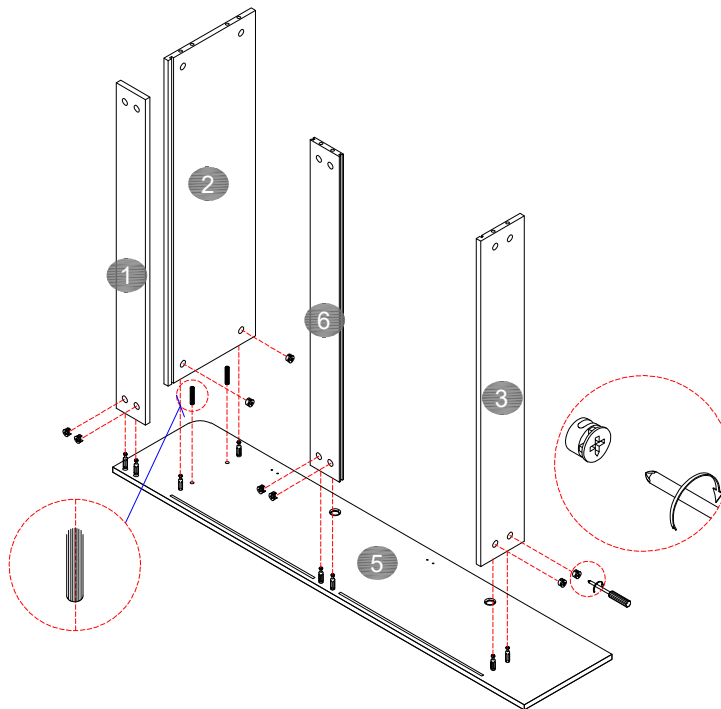
AX16



D02X4

STEP 2

Insert wooden dowels(C) to the board(5), then attach boards(1,3,6&2) to the board(5), insert cam locks to the holes and lock them tight.



BX8

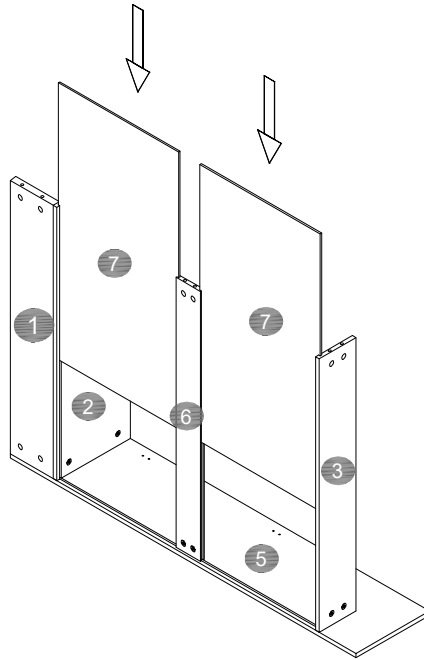


CX2

Assembly Instruction

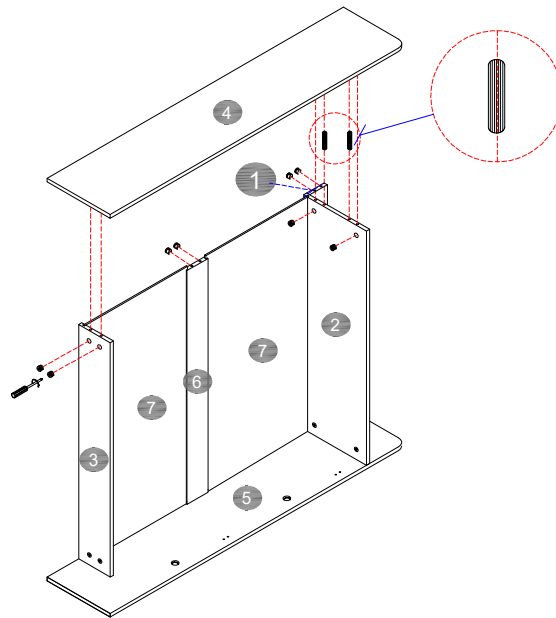
STEP 3

Insert the boards(7) to the slot of boards(2,3,6&5).



STEP 4

Insert wooden dowels(C) to the board(2), then attach boards(4) to the board(1,3,6&2), insert cam locks to the holes and lock them tight.



BX8

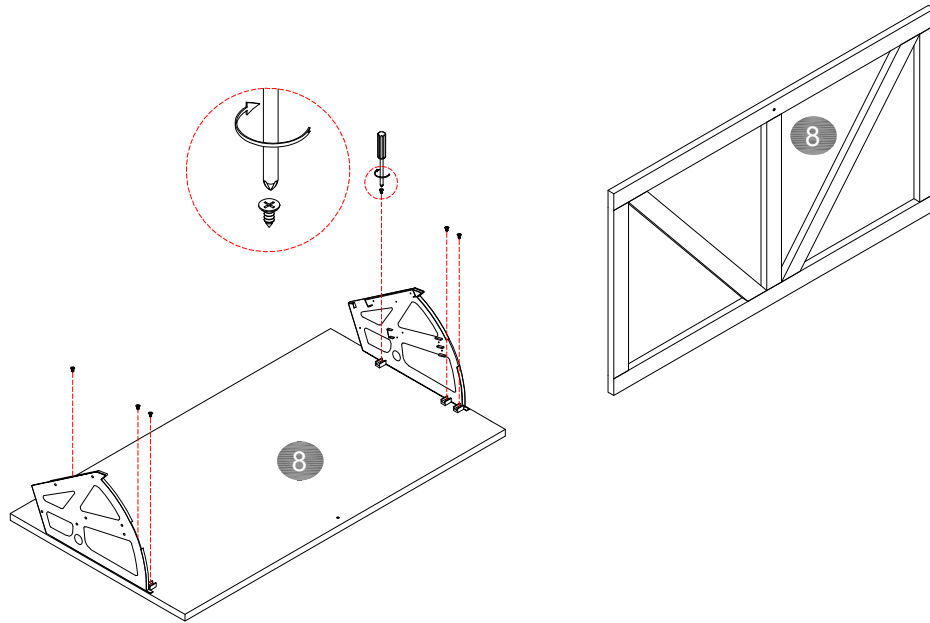


CX2

Assembly Instruction

STEP 5

Attach flip rack frame(D01) to the door board(8) using bolts(E).



D01X2

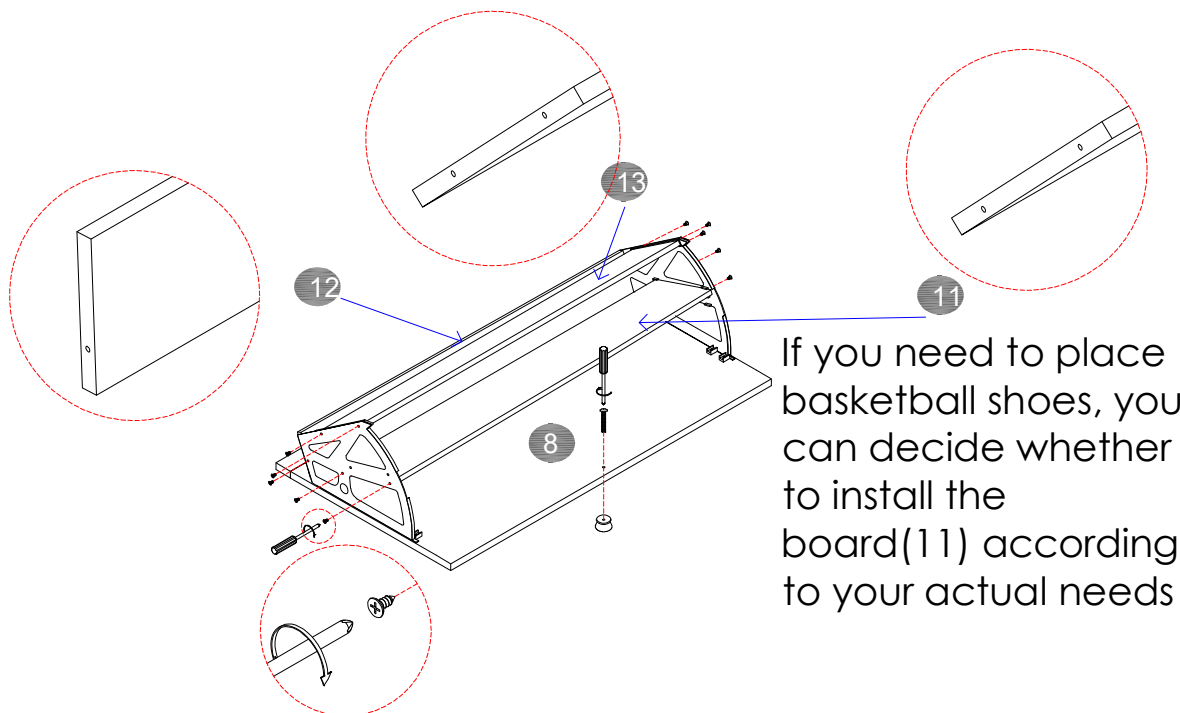


M3.5*12

EX6

STEP 6

Attach boards(11,12&13) to the flip rack frame(I) using bolts(E), and attach handle(F) to the door board using bolt(F).



M4*20

FX1



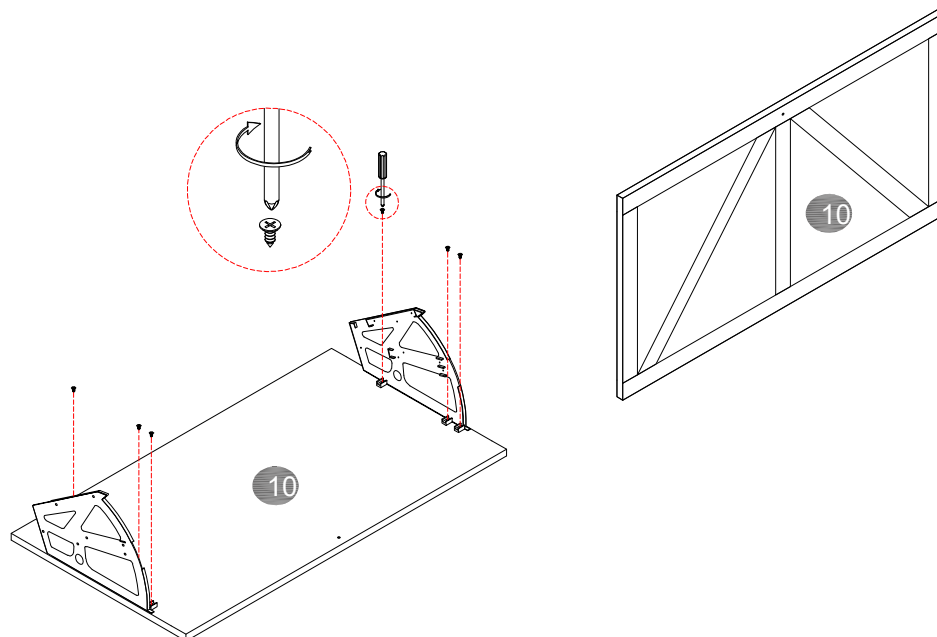
M3.5*12

EX10

Assembly Instruction

STEP 7

Attach flip rack frame (D01) to the door board (10) using bolts (E).



D01X2

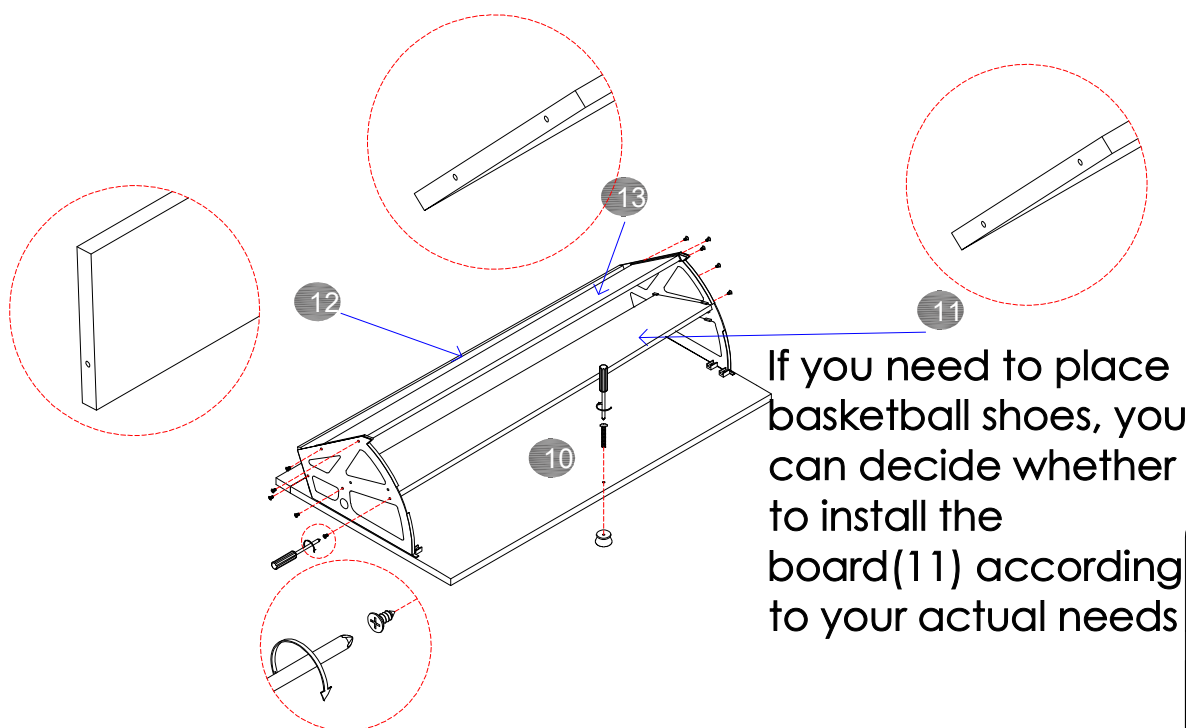


M3.5*12

EX6

STEP 8

Attach boards (11, 12 & 13) to the flip rack frame (I) using bolts (E), and attach handle (F) to the door board using bolt (F).



M4*20

FX1



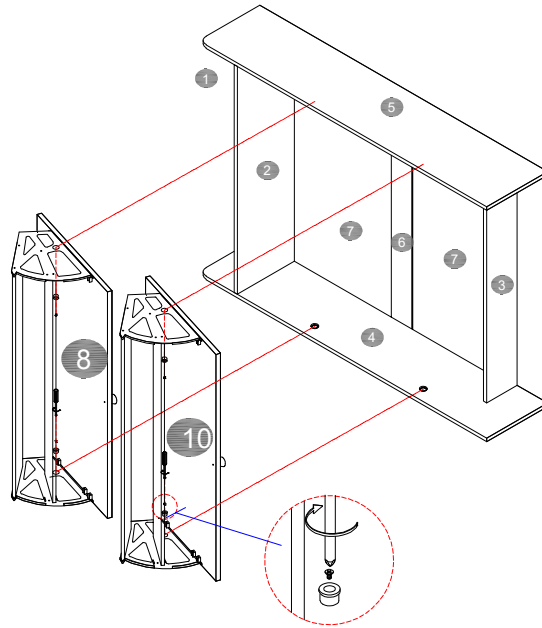
M3.5*12

EX10

Assembly Instruction

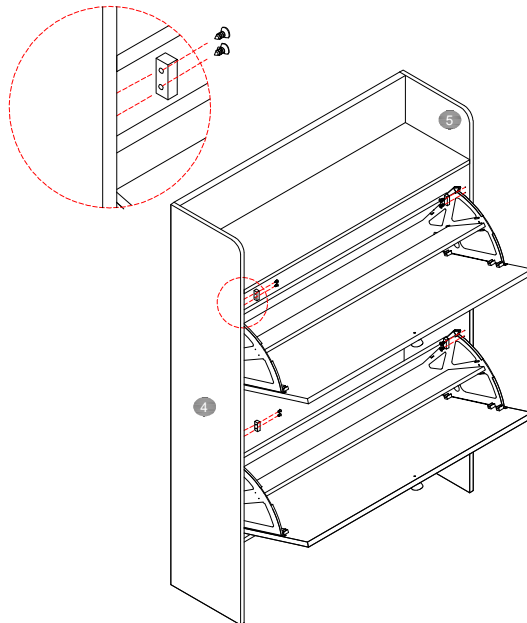
STEP 9

Attach the door board to the boards(4&5) using accessories(D03).



STEP 10

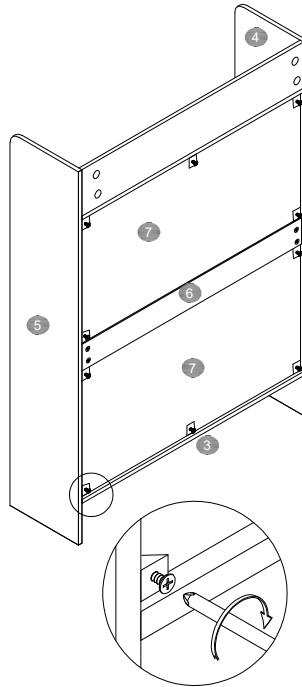
Attach the accessories(D04) using bolts(E).



Assembly Instruction

STEP 11

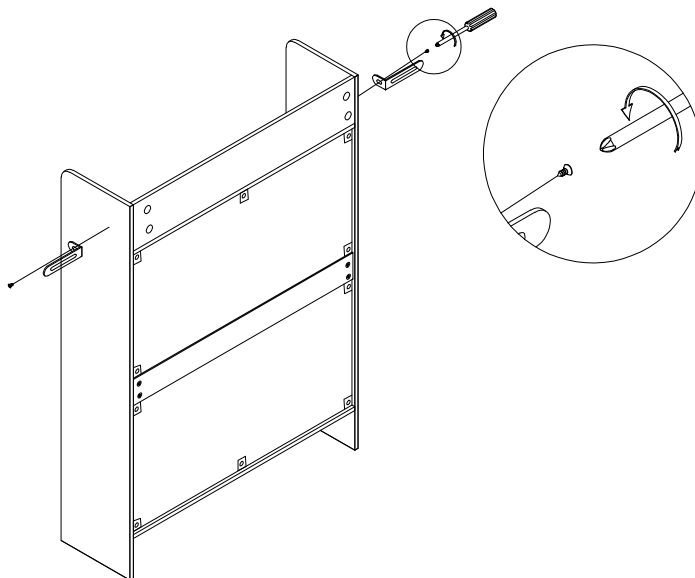
Attach stabilizers(G) to the boards(3,4,5,6&7).



GX10

STEP 12

Depending on the type of apartment, accessories(H01-H02) can be locked on the side or the back.



HX2

Assembly Instruction

STEP 13

Tap the accessories(H04) into the wall according to the measurement size of the accessory on the cabinet

