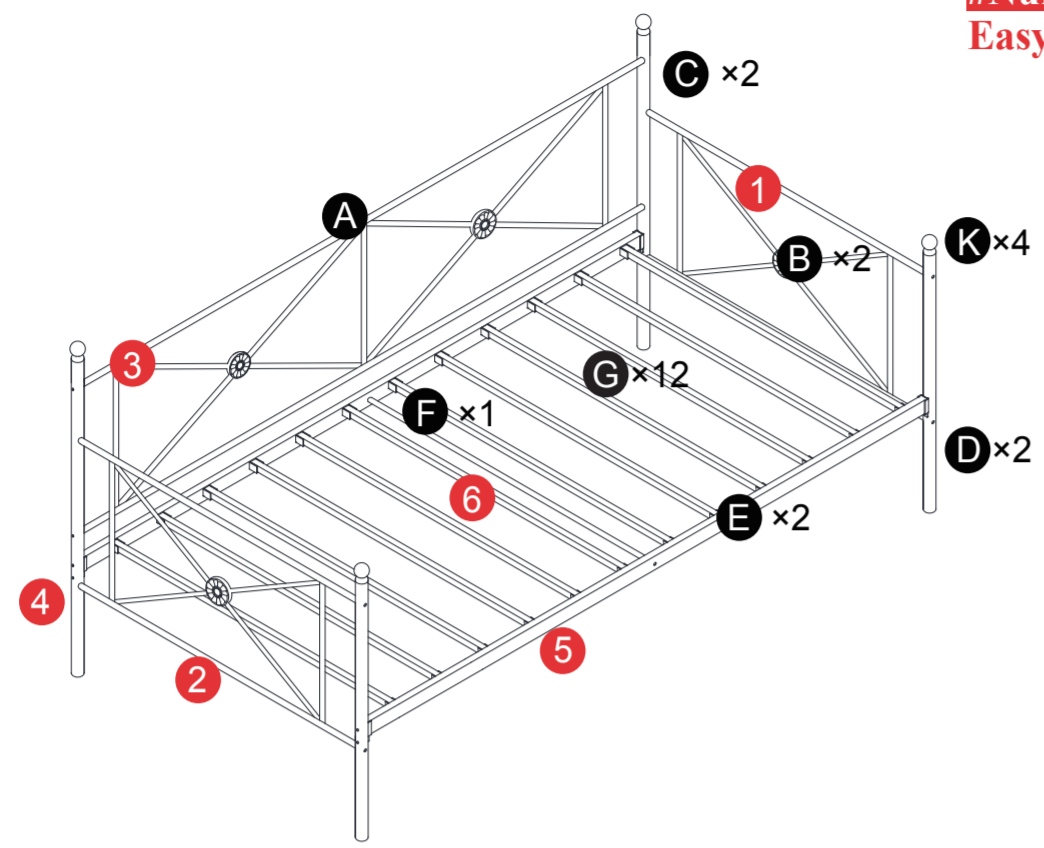


Daybed Frame Assembly Instruction

#Number System
Easy assembly by following 1,2,3...



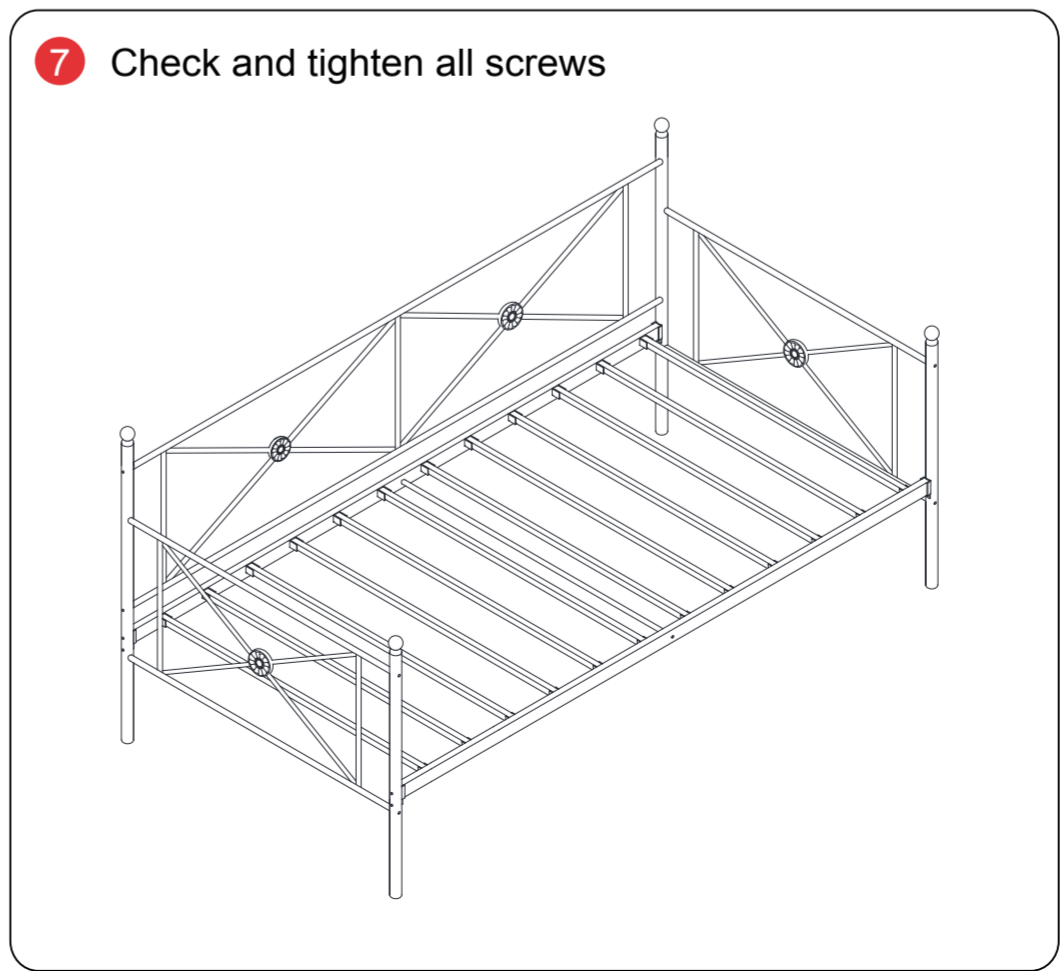
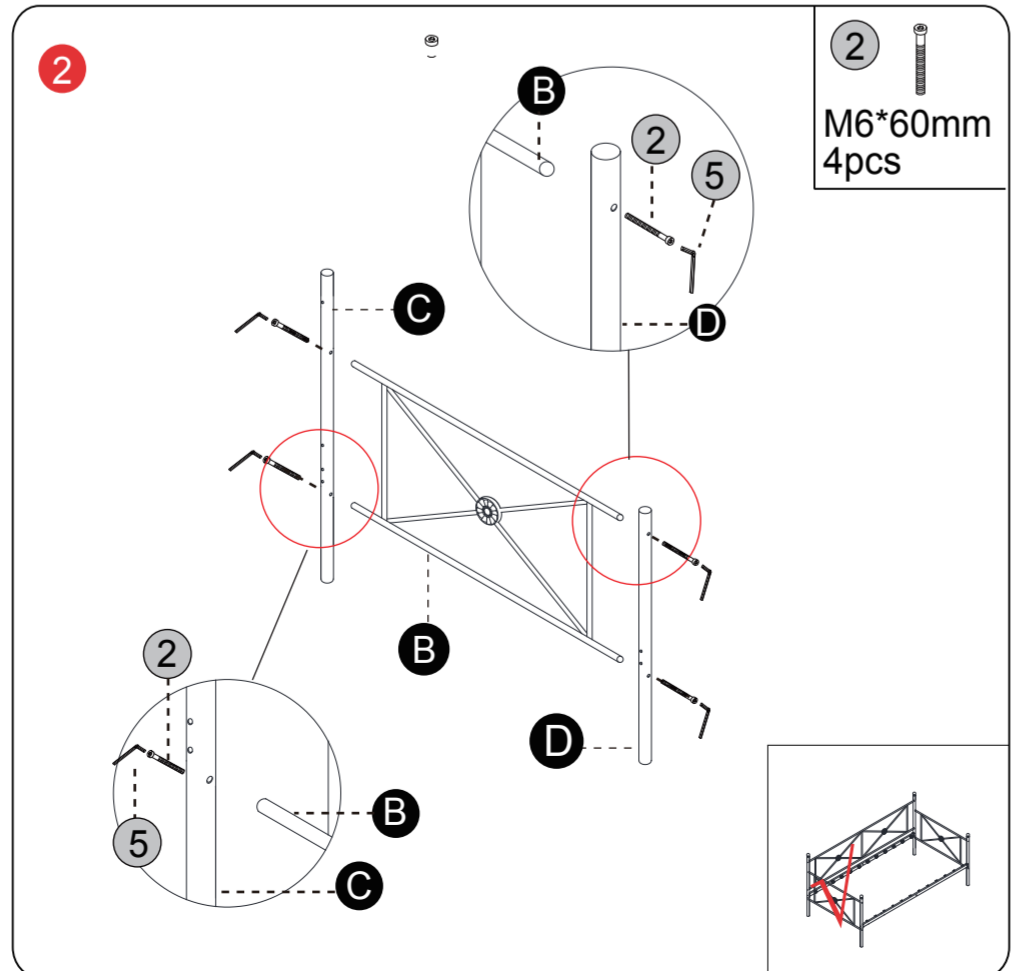
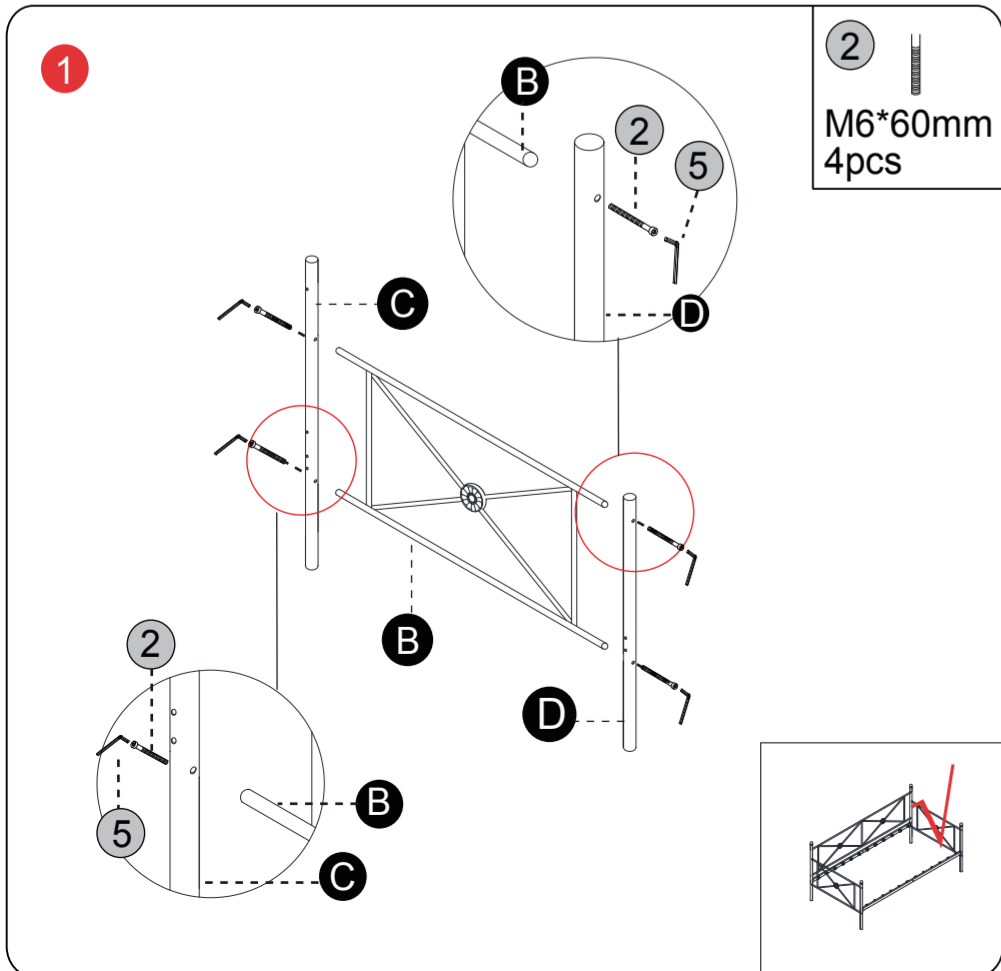
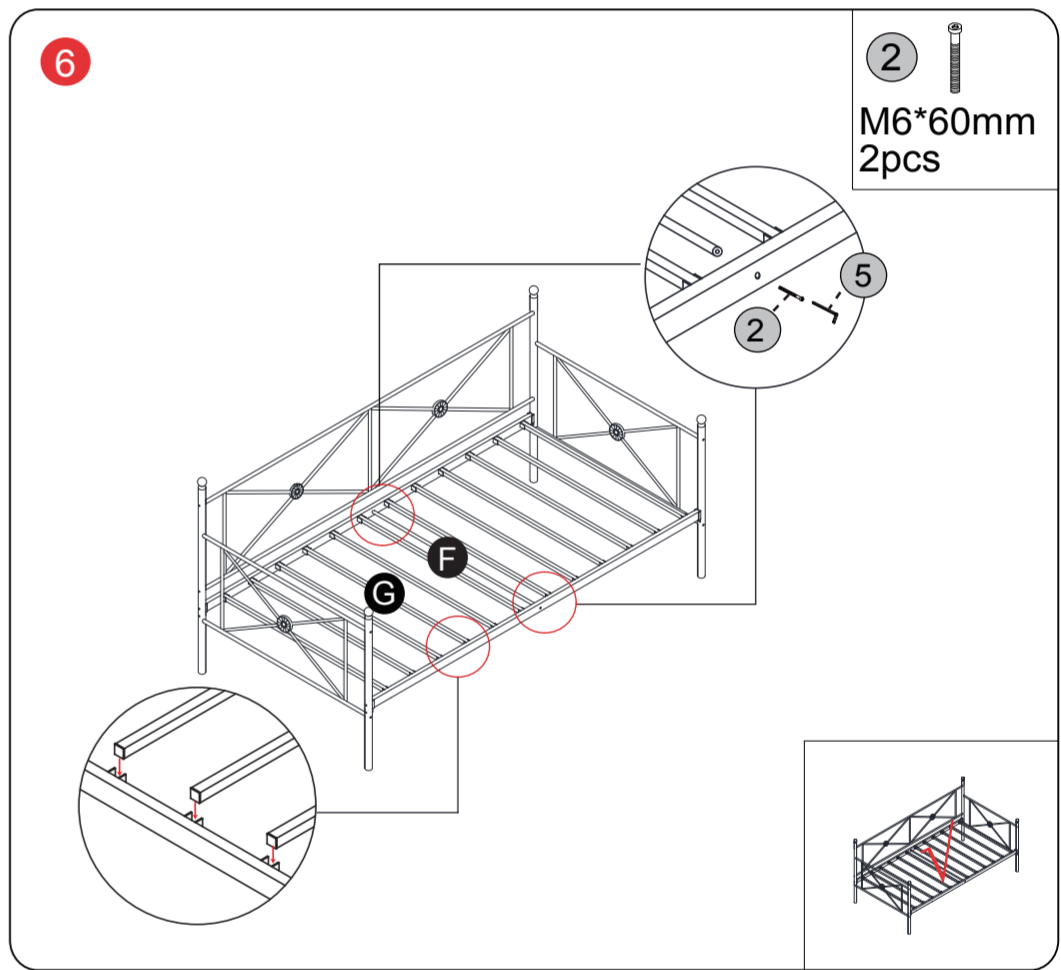
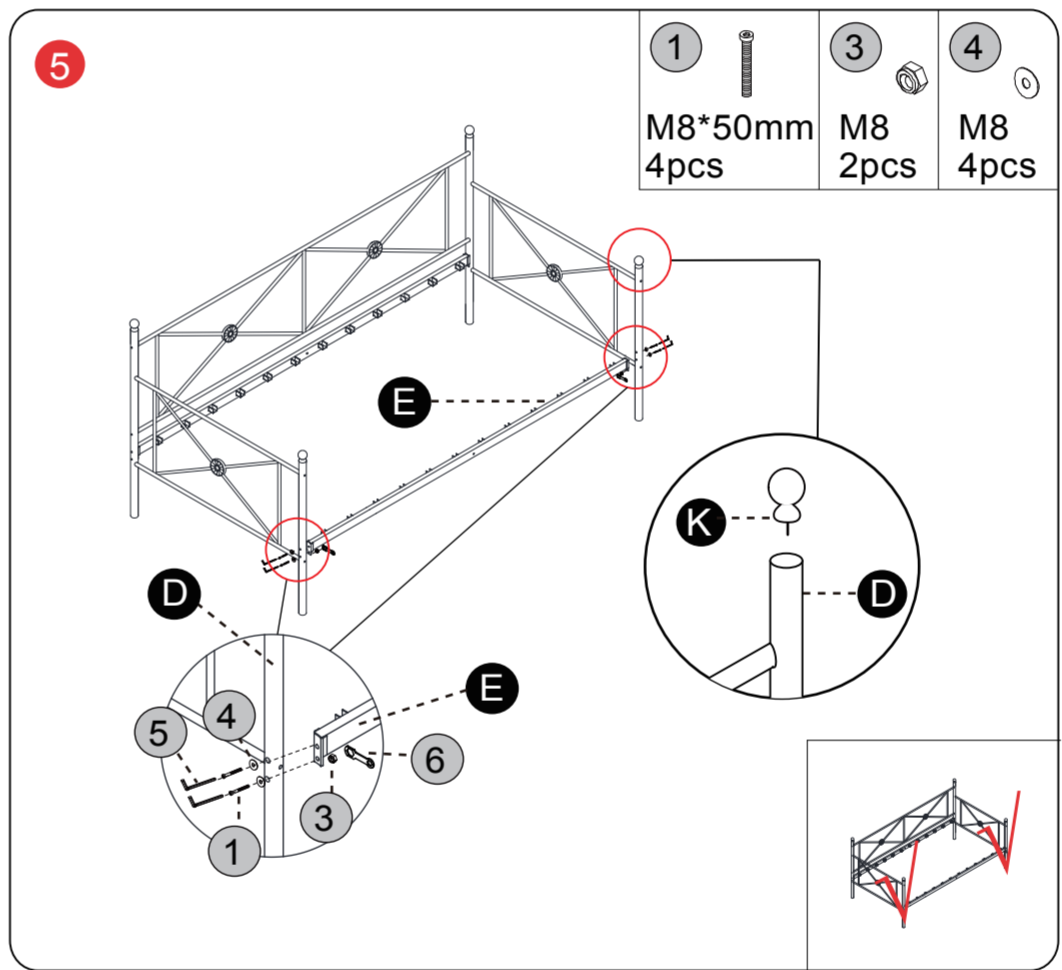
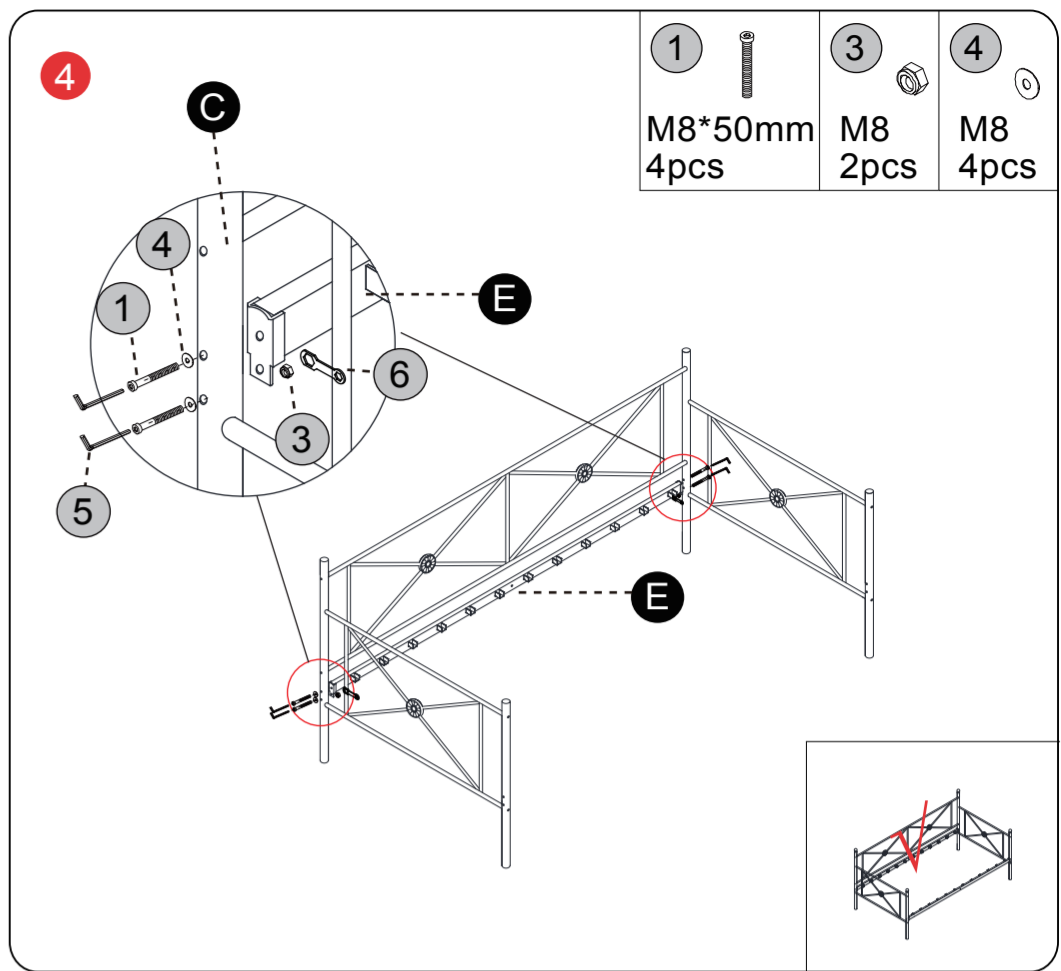
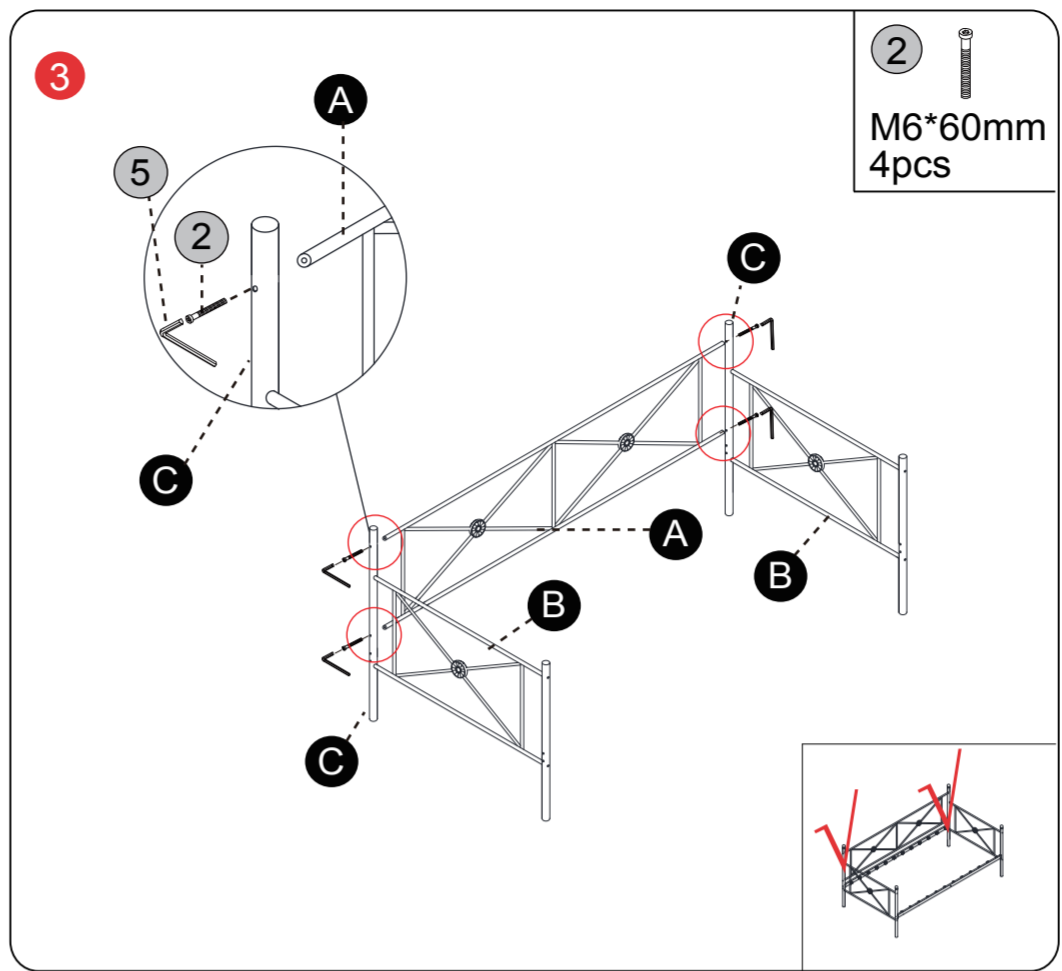
Componets

A		x1
B		x2
C		x2
D		x2
E		x2
F		x1
G		x12
K		x4

Screws & Tools

1		M8*50mm	8
2		M6*60mm	14
3		M8	4
4		M8	8
5		M5	1
6		M13/M10	1

Check all the components & screws before assembly.



CAUTIONS!