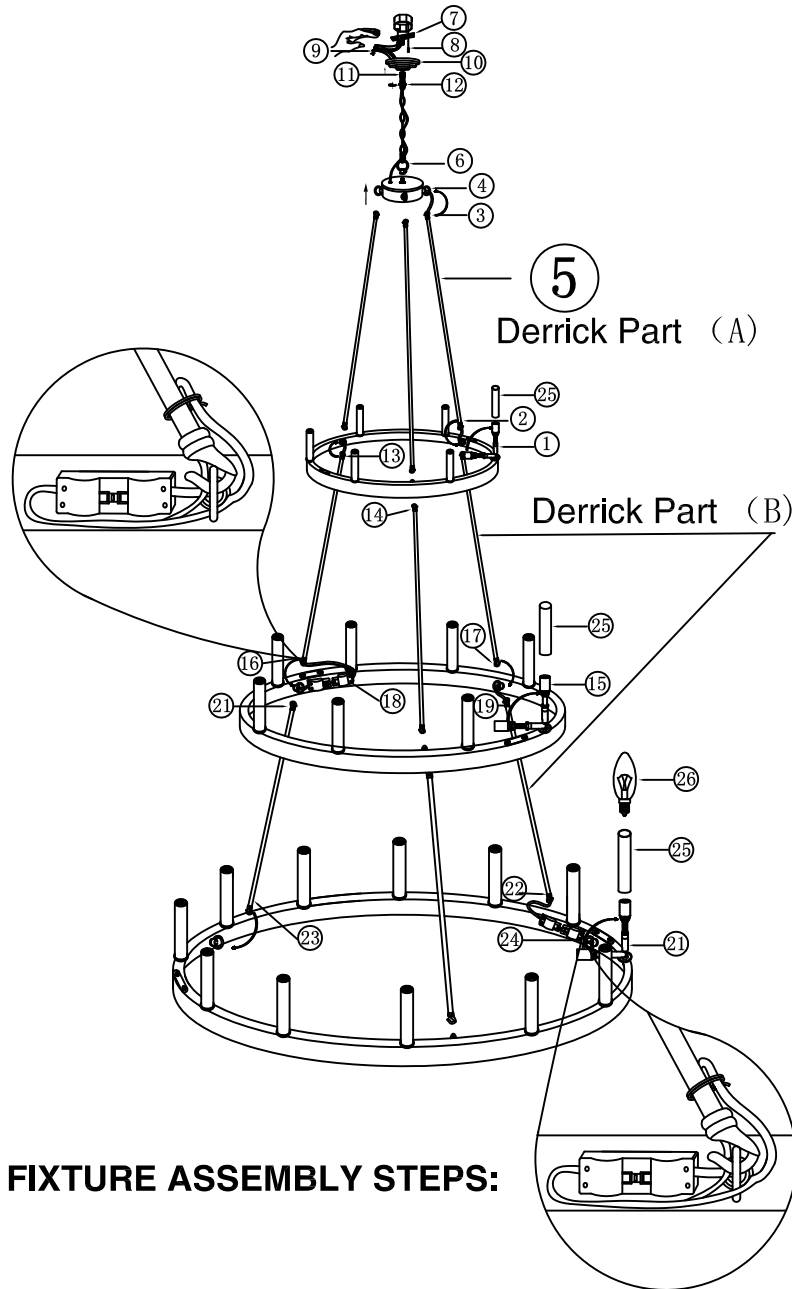

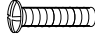


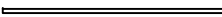

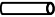


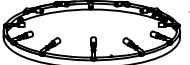
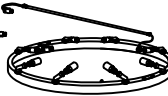
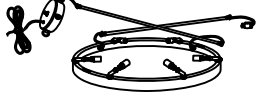
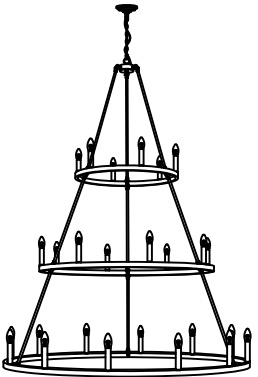


## Installation Precautions:

1. Please assemble the lamp body according to the sequence and installation steps;
2. Install it from the top down, The wires are connected by male and female plug;
3. This lamp is relatively heavy, 2 - 3 people are recommended to install;
4. In the Installation process, the two rings can not collide, easy to drop paint, scratch.

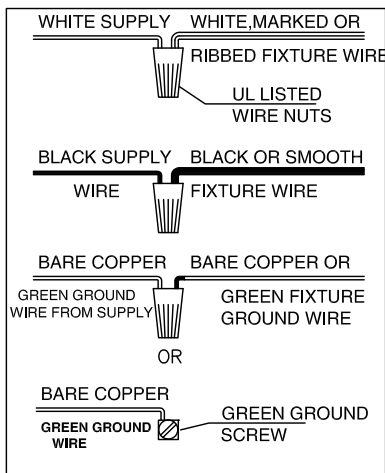


DESCRIPTION	PICTURE	CODE	QTY
Mounting Plate		7	1 SET
Mounting Box Screw		8	2 PCS
P3 Wiring Cap		9	3 PCS
Canopy		10	1 PCS
Black Cable tie			3 PCS
Chain +Flying rings + movable chain link		6 / 11 / 12	1 SET
Lamp holder casing		25	26 PCS
Derrick Part (B)		14 / 21	4 PCS
Derrick Part (A)		5	2 PCS
Lamp Body ( 12 lights)		21	1 SET
Lamp Body ( 8 lights)		15 / 22	1 SET
Lamp Body ( 6 lights)		1 / 2 / 3 / 4 / 16	1 SET
			

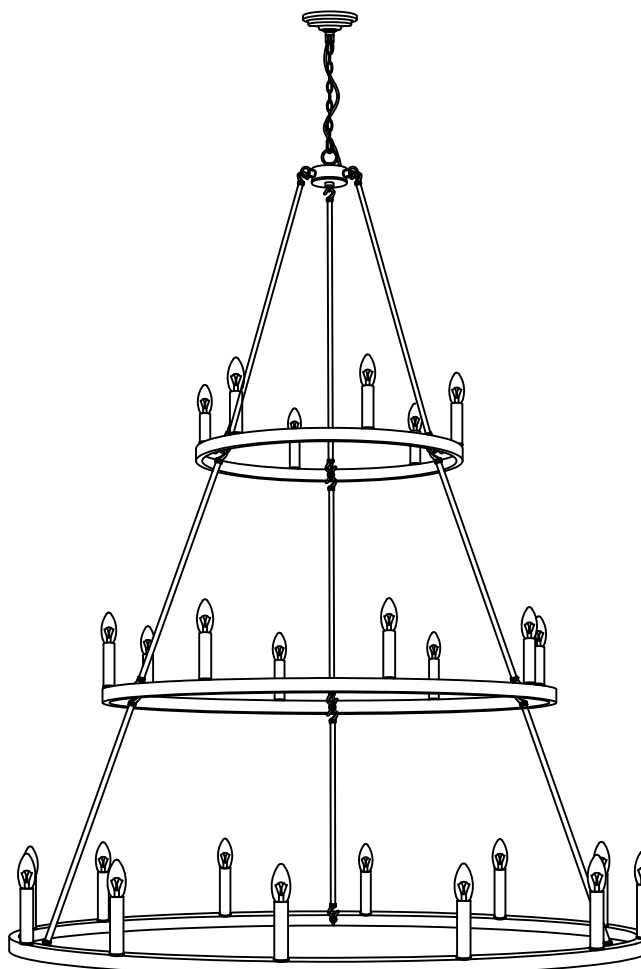
WARNING - if any Special Control Devices are used with this Fixture, Follow the instructions Carefully to assure fun compliance With N.E.C. requirements. if there are any questions, contact a Qualified Electrical Contractor.  
 CAUTION - All glass is fragile, use care when handling Glass component(s) and or Lamp(s).  
 WARNING - This product contains chemicals known to the State of California to cause cancer, birth defects and /or other reproductive harm. Thoroughly wash hands after installing. handling. cleaning, or otherwise touching this product

**CANOPY MOUNTING & WIRE CONNECTION ASSEMBLY STEPS:**

Attach(N),(P) to achieve overall desired length.  
 Una (N),(P) para lograr la longitud deseada.  
 Joignez(N),(P) pour obtenir la Longueur voulue.



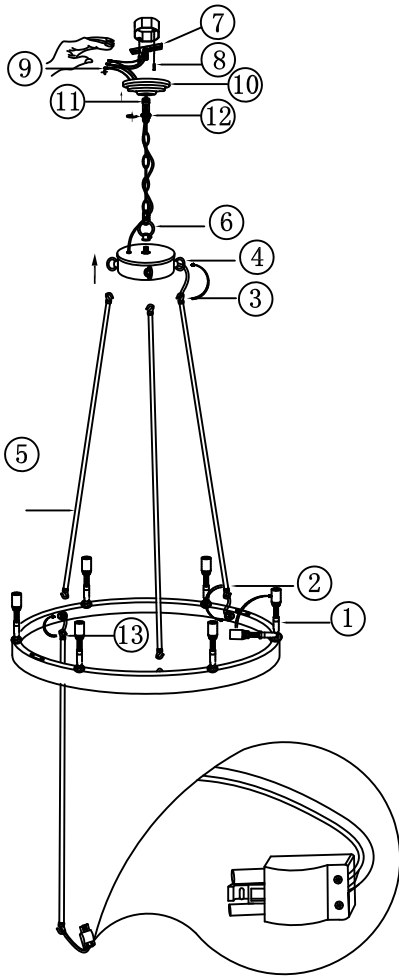
**FIXTURE ASSEMBLY STEPS:**



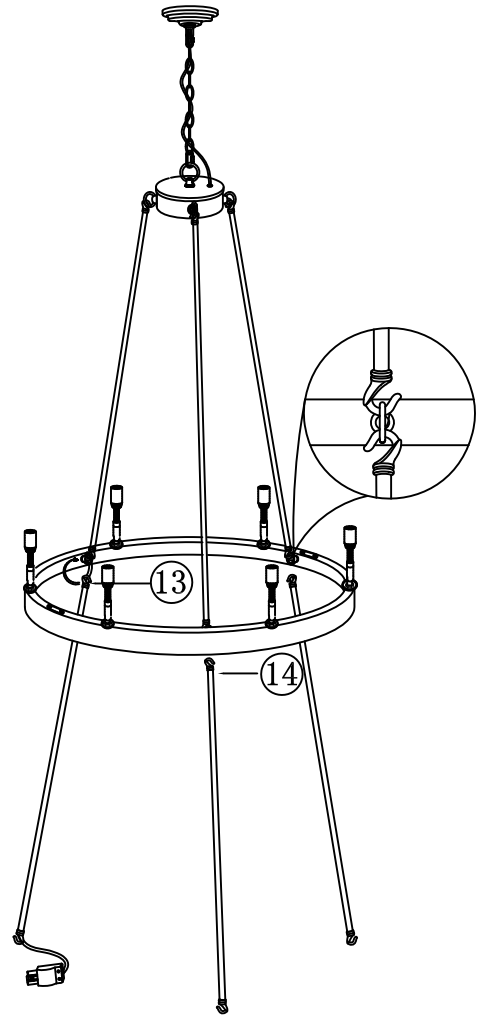
110-120V / 60Hz  
 E12 26\*MAX 60W TYPE B  
 (Do not contain light bulb)

1. AC110~120V,50~60Hz.The Max lamps power is 60W TYPE B Bulb.
2. Avoid to scratch the surface of lighting and the wires when install it.
3. Connect the live wire with the white wire, the natural wire with the parti-colored one, the earth one with the earth symbol (L-L,N-N).
4. Don't install it to the ceiling before it's completely dry, the surrounding around must be ventilated and dry.
5. Keep away from the acid, basicity objects and gases, clean with soft cloth, water washing is not allowed.
6. Be careful when you install glass lamp shade
7. The lighting must be installed by professional electrician and used indoor only.
8. Please keep attention to cut off the power supply when installing, cleaning, and replacing bulb.

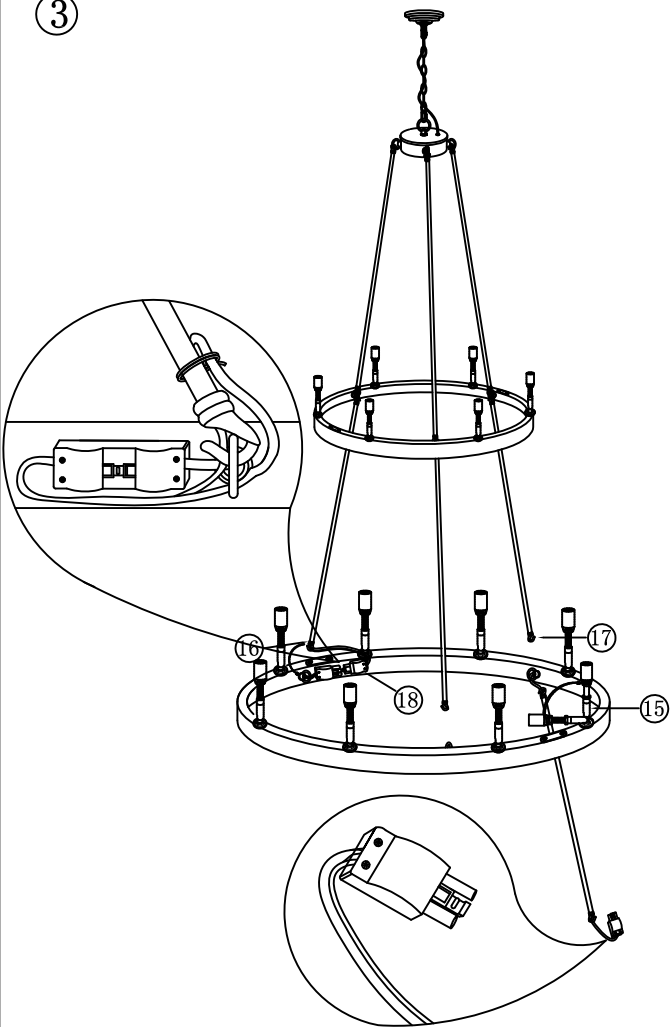
①



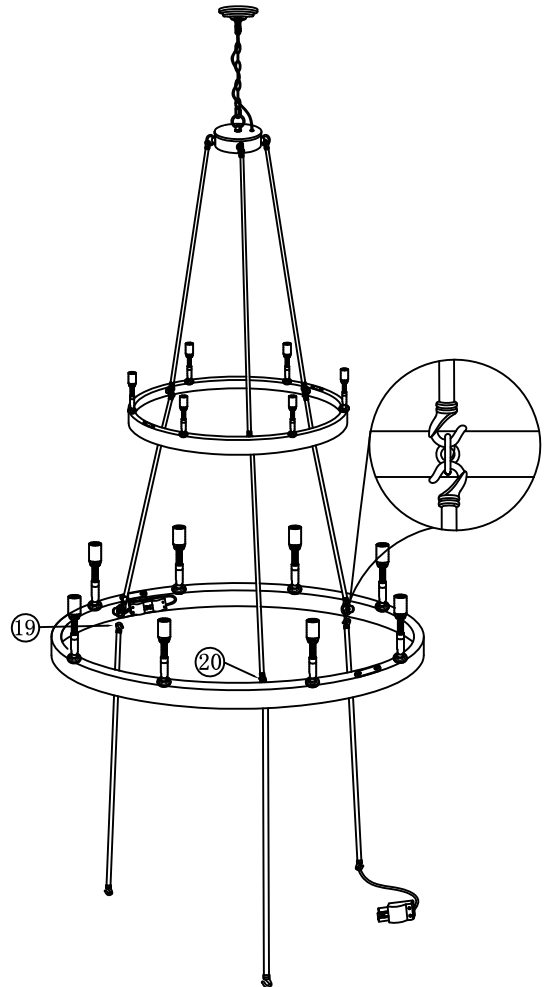
②



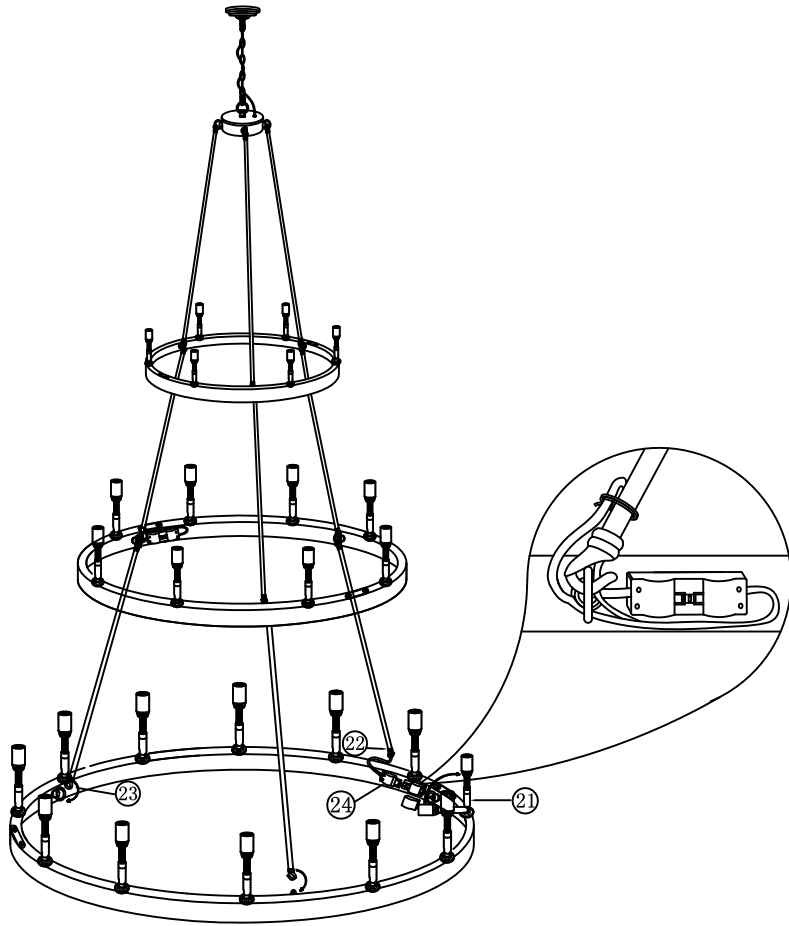
③



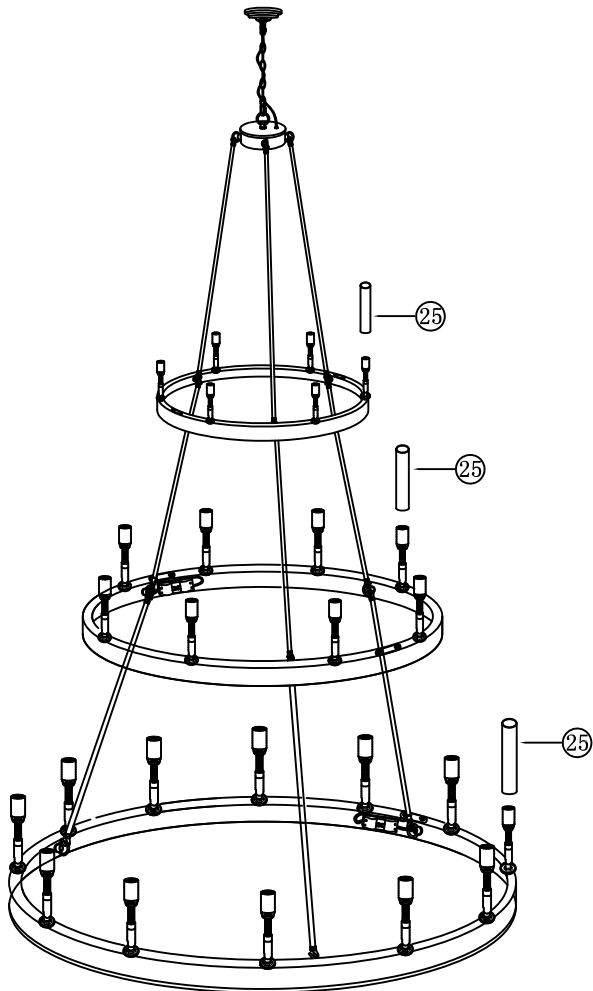
④



5



6



7

