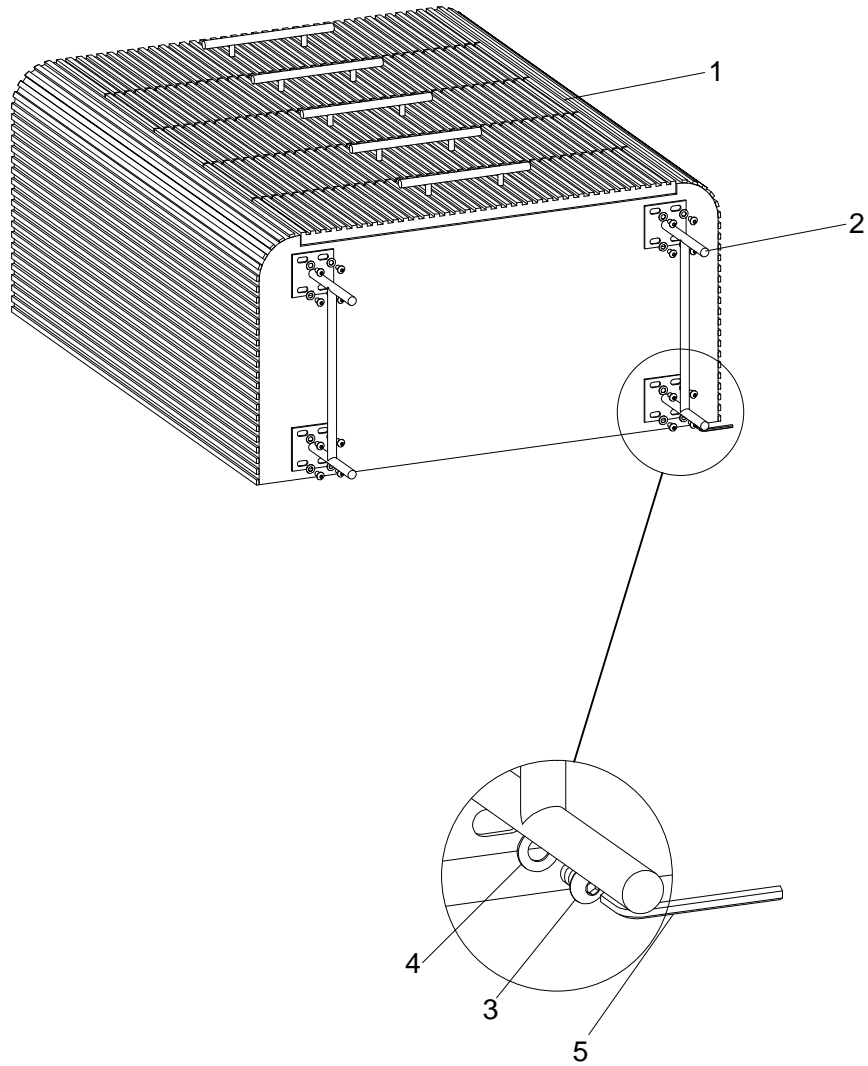







①



NO.	IMAGE	QTY
1		1
2		2
3	 M8x16	16
4	 8-16	16
5		5

