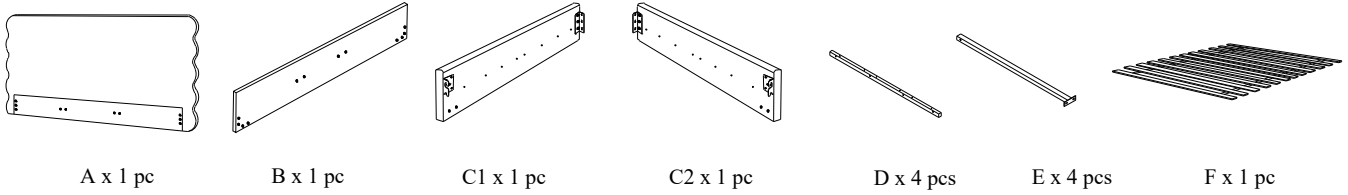


HEADBOARD SET ASSEMBLY INSTRUCTION (TOTAL 1 BOX)

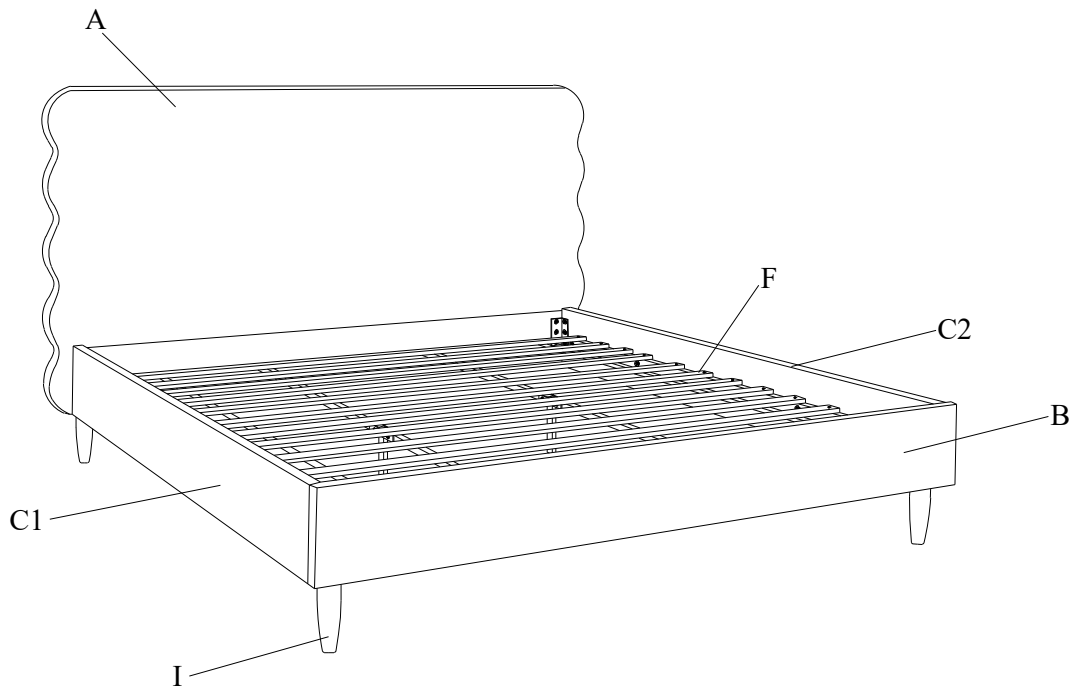


Please read over the instructions, it will be a time-saver in the long run.

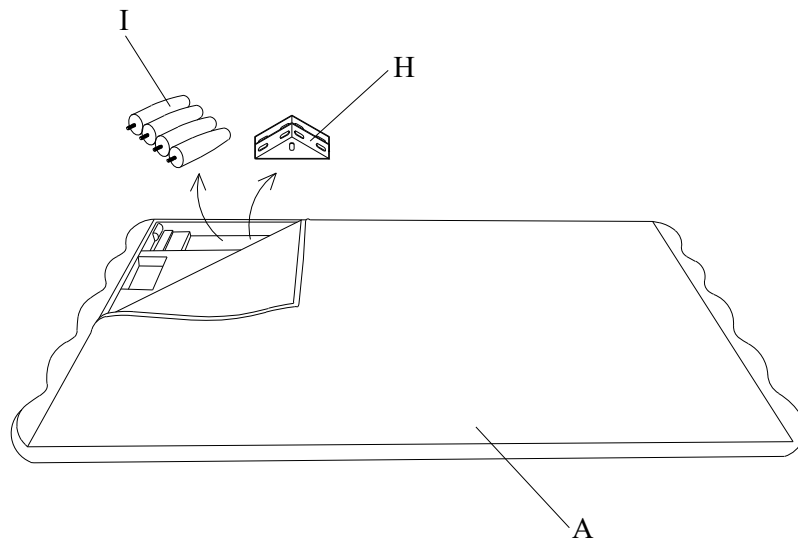
Note: Before assembly, please be sure to work on a soft flat surface to avoid any damage to the finish.

Please leave bolts loosened until all bolts are placed before tightening completely.

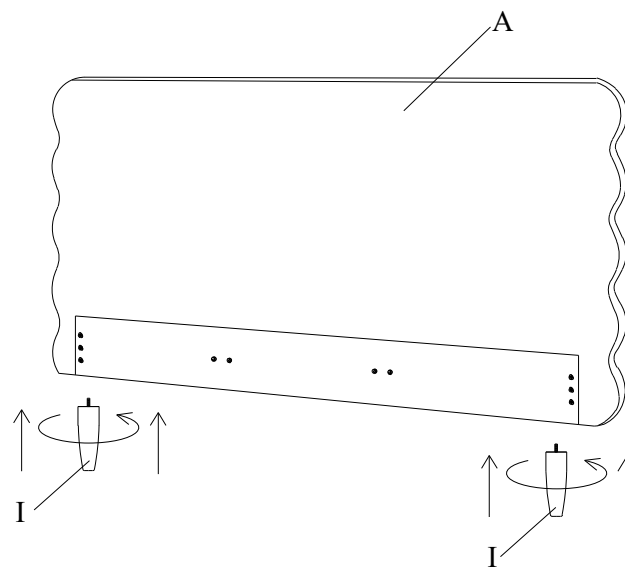
Part#	Picture	Description	QTY	Location	Part#	Picture	Description	QTY	Location
G		Center leg	2	Wrapped in a non-woven bag	R		Spring Washer Ø8	24	Hardware Pack
H		Triangle connection piece	2	Wrapped in a non-woven bag				20	Already in Place
I		Legs	4	Spare Parts caton box	S		Flat Washer Ø8x25mm	24	Hardware Pack
J		Bolt Ø6x30mm	6	Already in Place				20	Already in Place
K		Bolt Ø8x30mm	20	Already in Place	T		Spring Washer Ø6	6	Already in Place
L		Bolt Ø8x60mm	16	Hardware Pack	U		Flat Washer Ø6x25mm	6	Already in Place
M		Bolt Ø8x70mm	4	Hardware Pack	V		Spring Washer Ø10	2	Hardware Pack
N		"L" Wrenches Ø4	1	Hardware Pack	W		Flat Washer Ø10x25mm	2	Hardware Pack
O		"L" Wrenches Ø5	1	Hardware Pack	X		Spanner Ø14	1	Hardware Pack
P		Nut Ø8	4	Hardware Pack	Y		Spanner Ø17	1	Hardware Pack
Q		Nut Ø10	2	Hardware Pack	Z		Screws 4x30mm	24	Hardware Pack



1



2



3

