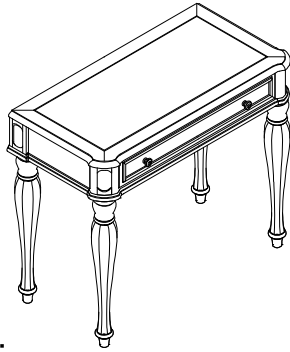


ASSEMBLY INSTRUCTION

DESCRIPTION: ACCENT VANITY DESK/NS

Thank you for purchasing this quality product. Be sure to check all packing material carefully for small parts which may have come loose inside the carton during shipment. Identify and count all parts and compare with the parts List Below:

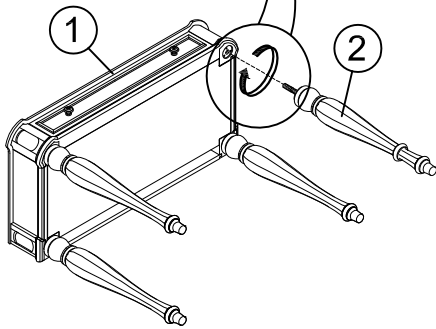
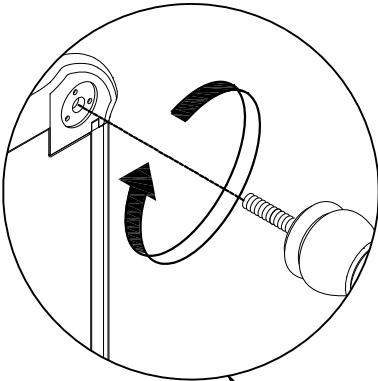


Note:
1. Remove legs from inner box

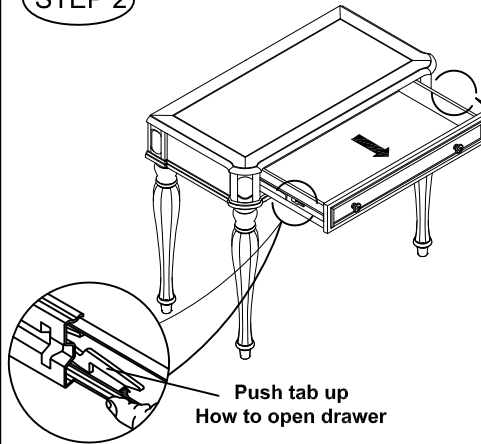
PART LIST:

①		②	
TABLE TOP: 1PC		LEGS: 4PCS	
③			
HARDWARE LIST			
NO.	Drawing	Description	Q'ty
A		Furniture Tipping Restraint	1 Set

STEP 1

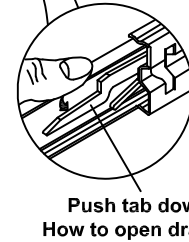


STEP 2

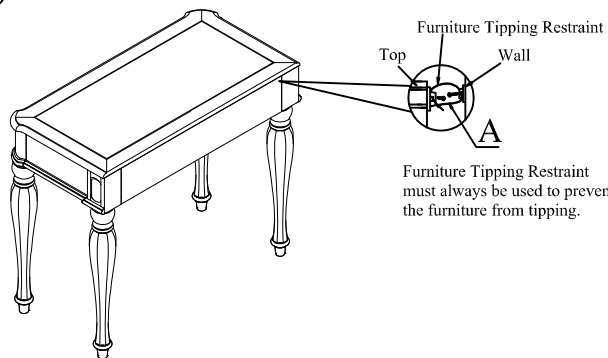


HOW TO REMOVE DRAWER

To remove drawer, simultaneously pull tab up on one side and push down on the other and remove drawer.



STEP 3



Furniture Tipping Restraint must always be used to prevent the furniture from tipping.

CLEANING INSTRUCTION

Clean the Accent Vanity Desk/NS surface with a furniture polish and a soft cloth.