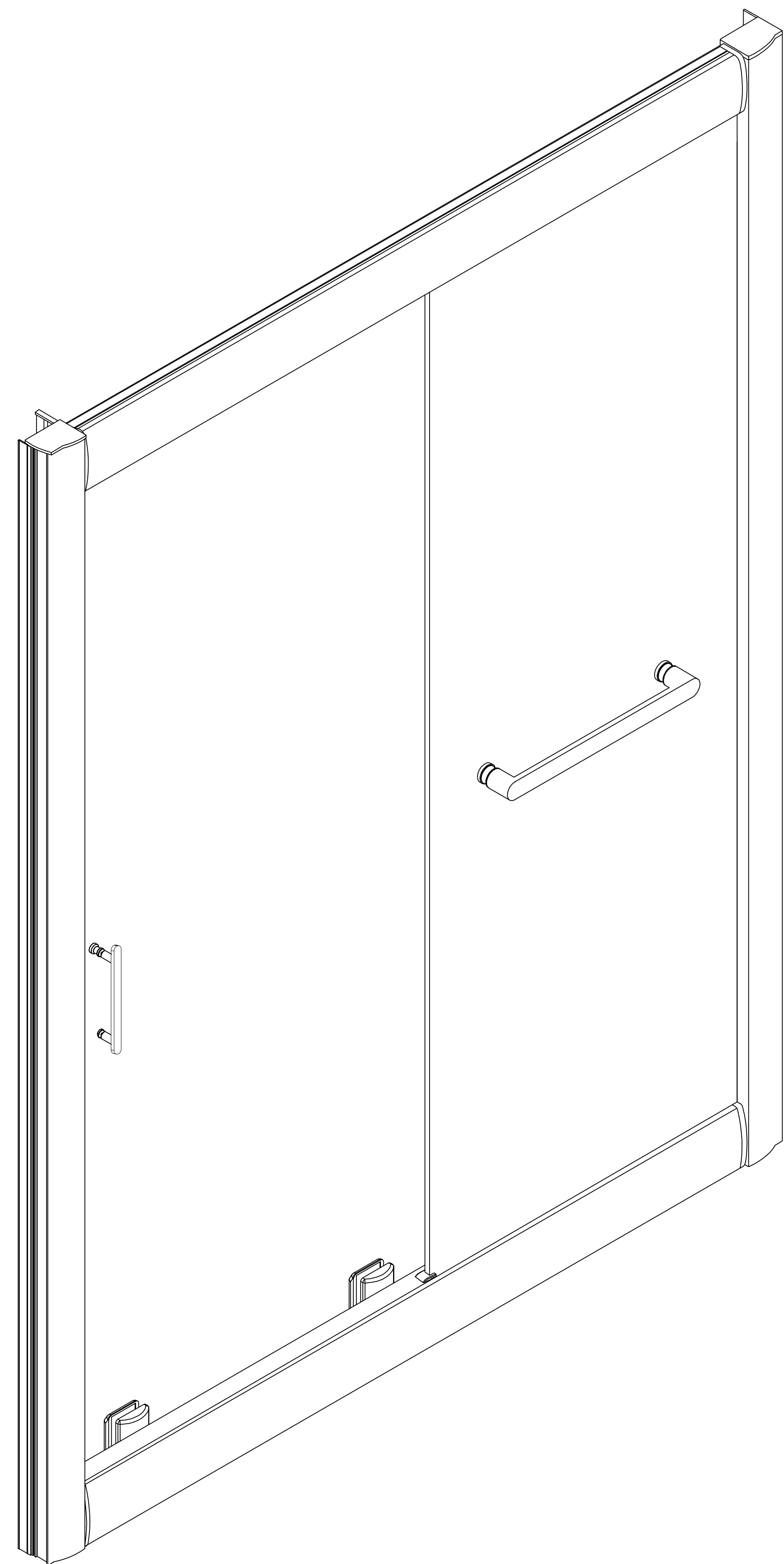


Left Hand Install



Right Hand Install

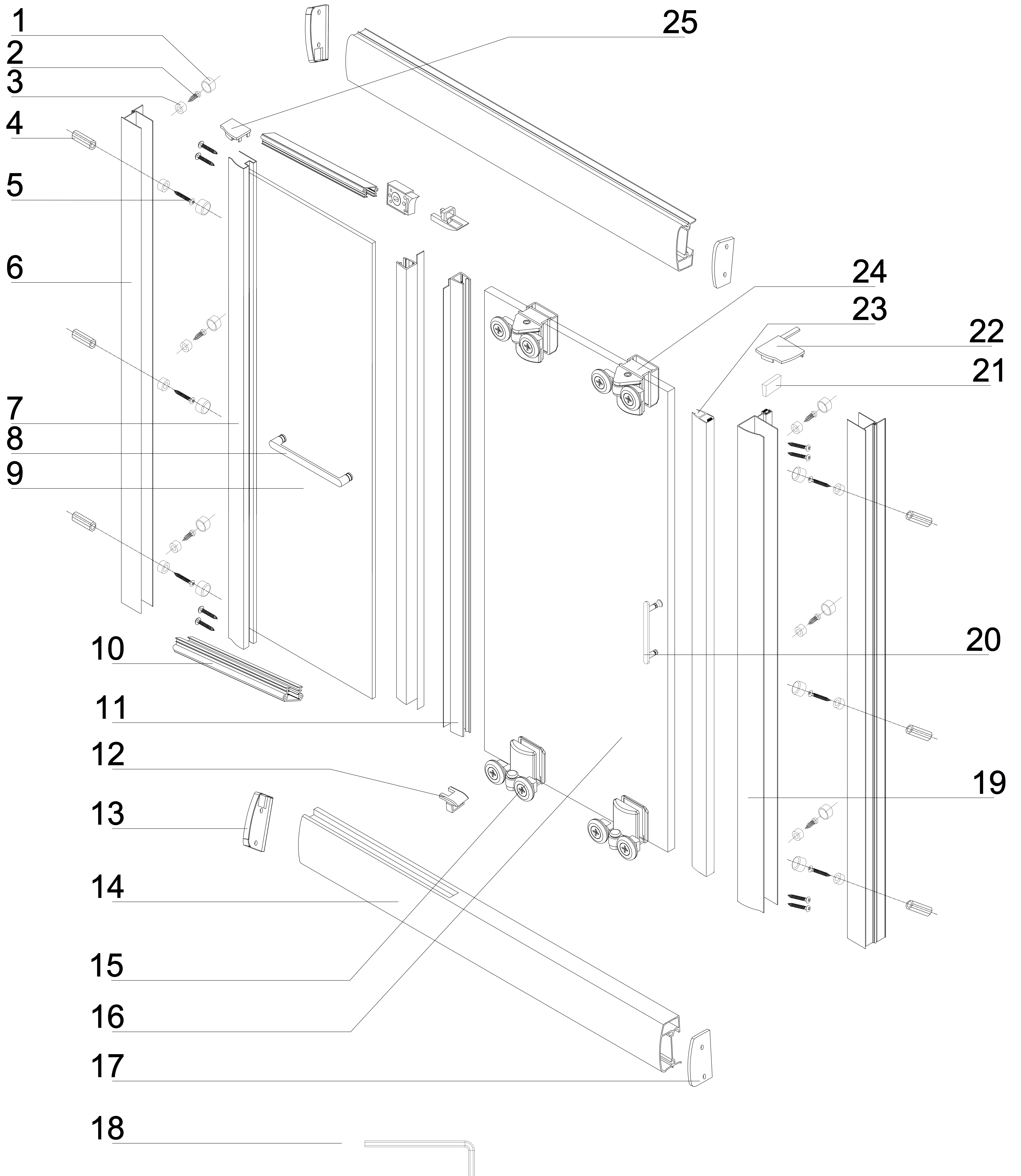
---

Customer Support: 1-877-897-1222  
After-sale service: [felyl@outlook.com](mailto:felyl@outlook.com)  
Hours of Operation: M-F 9 AM-5:00PM

Scan for  
instruction video

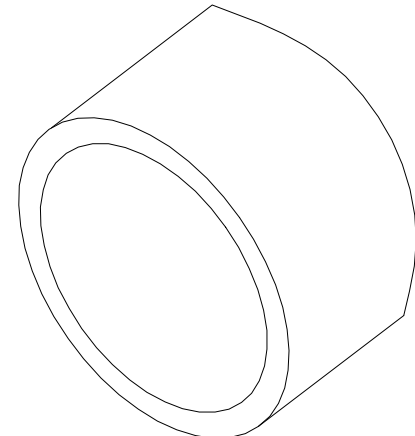
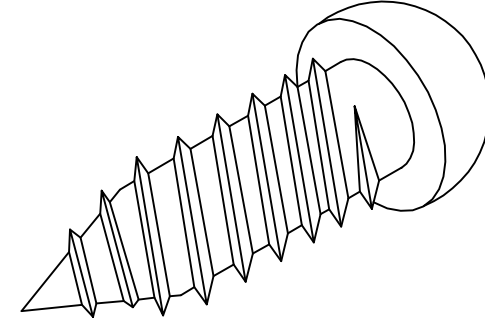
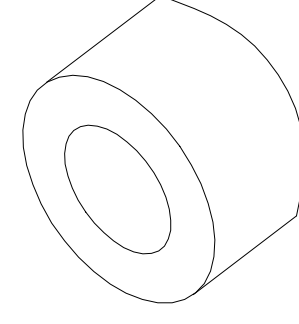
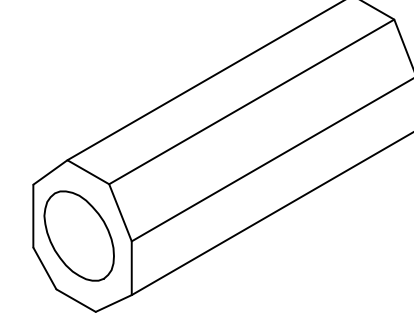
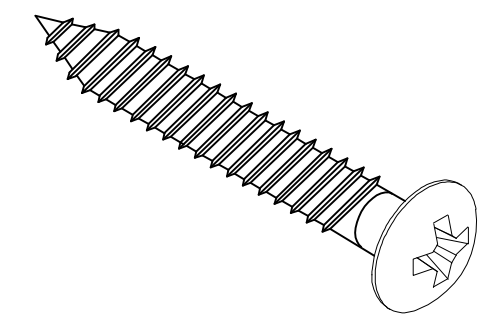
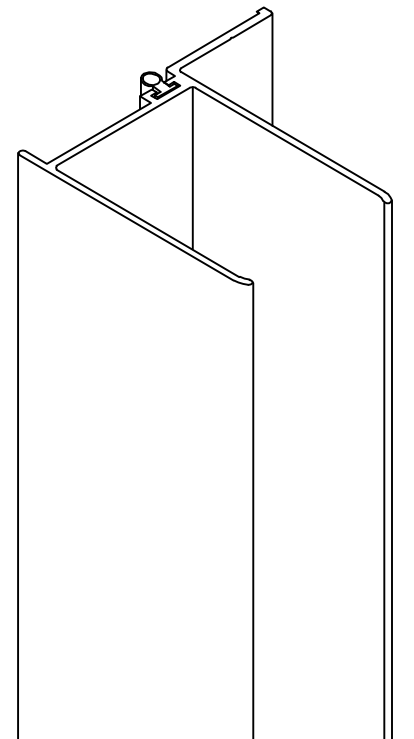
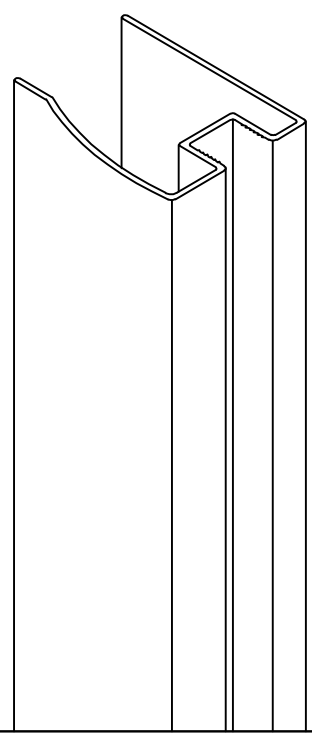
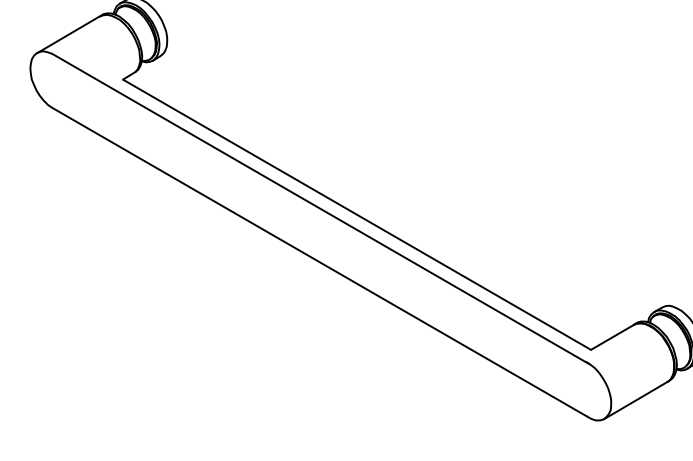
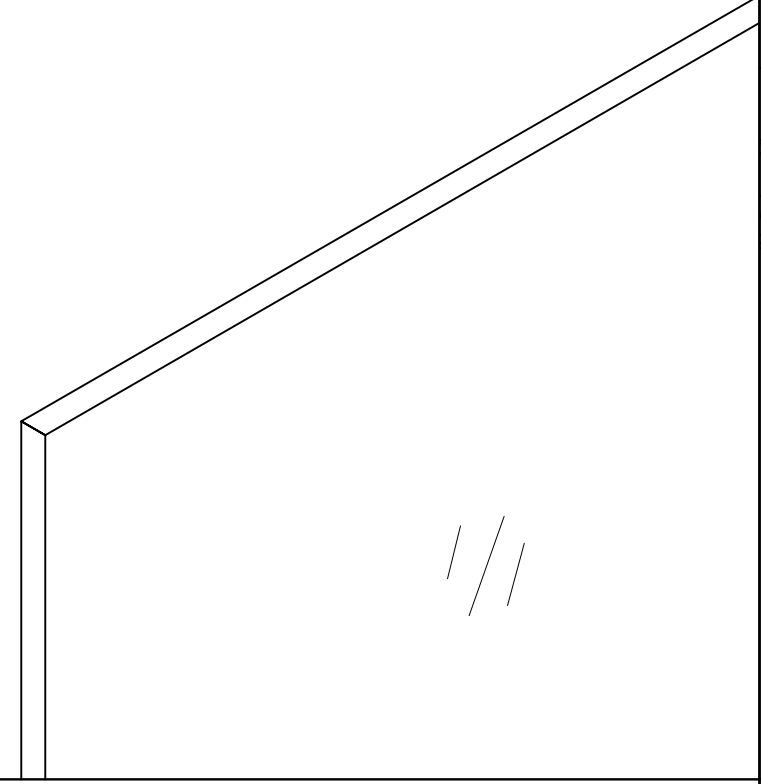
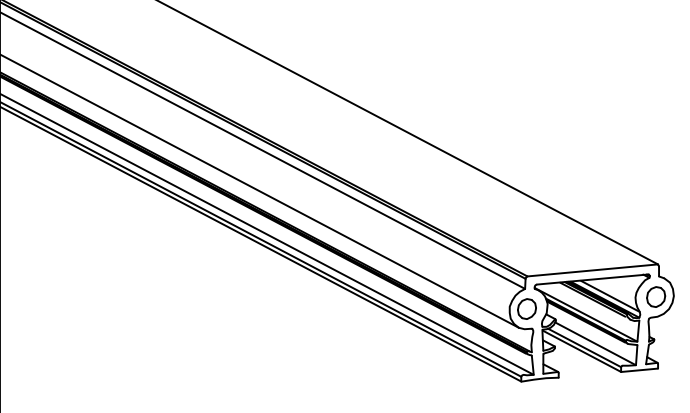
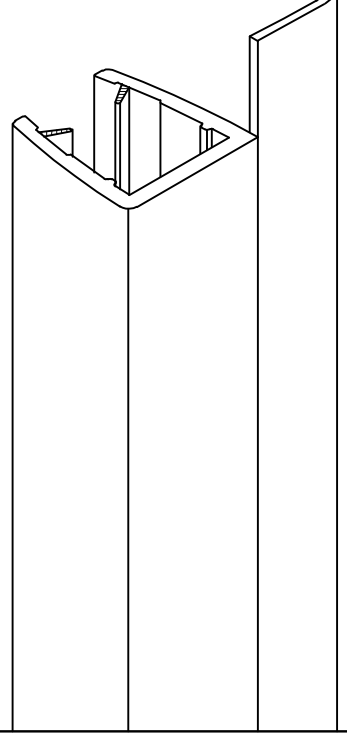
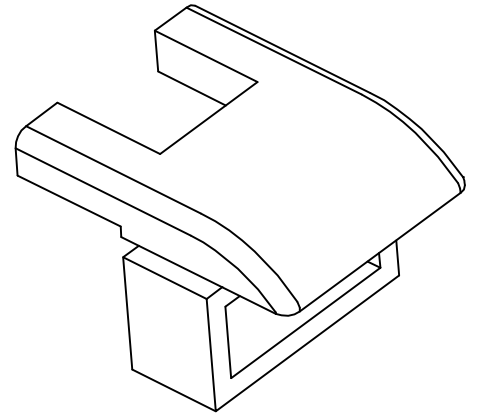
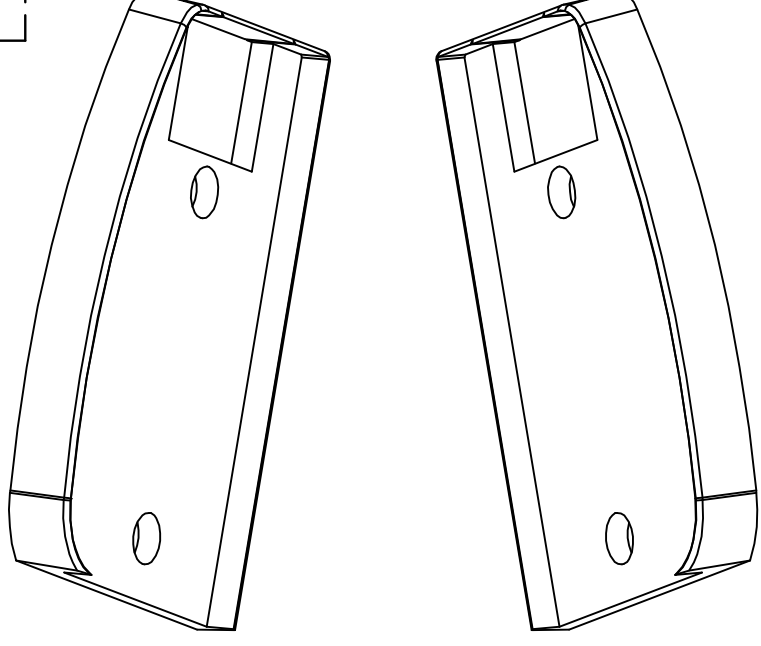
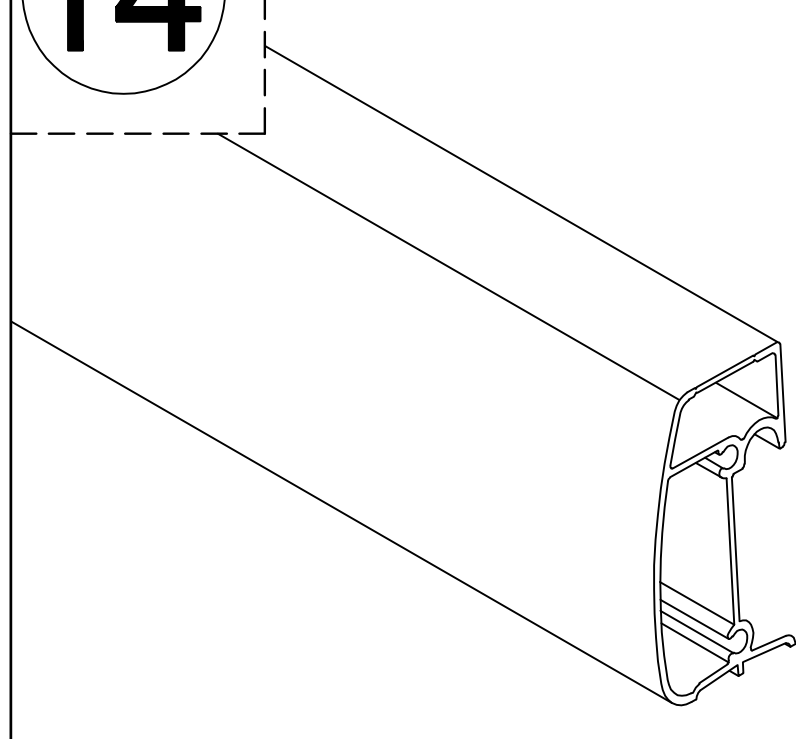
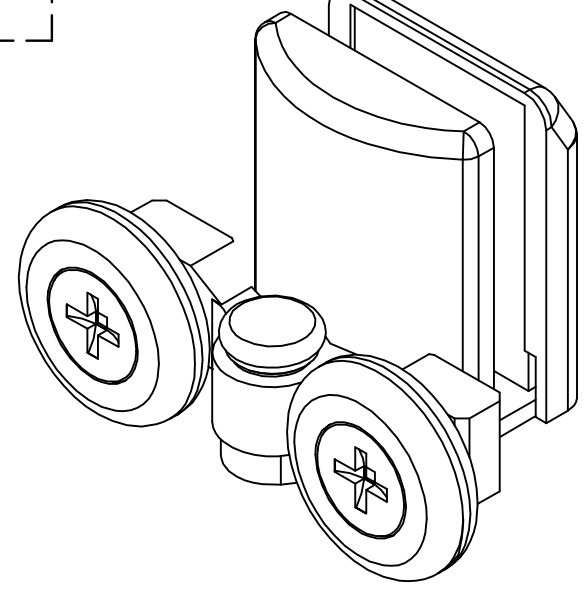
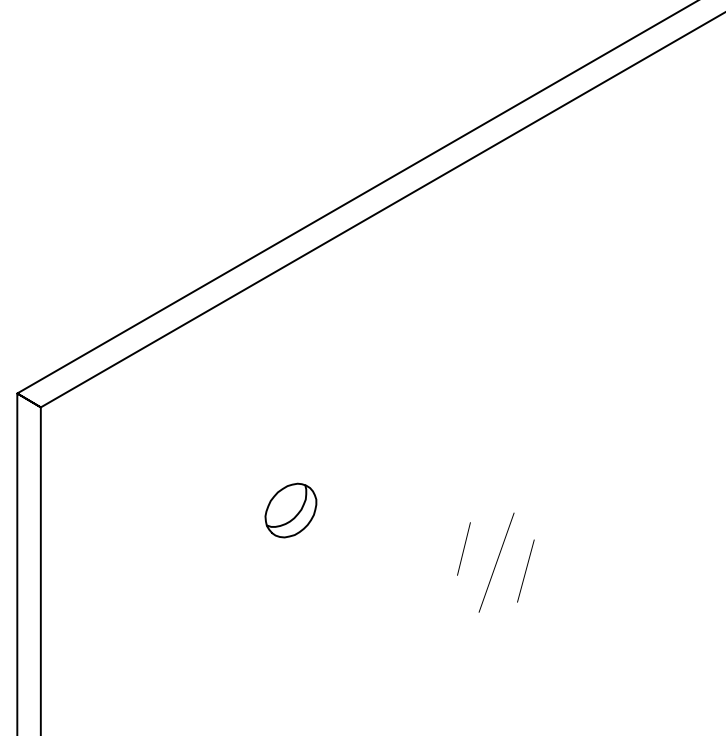
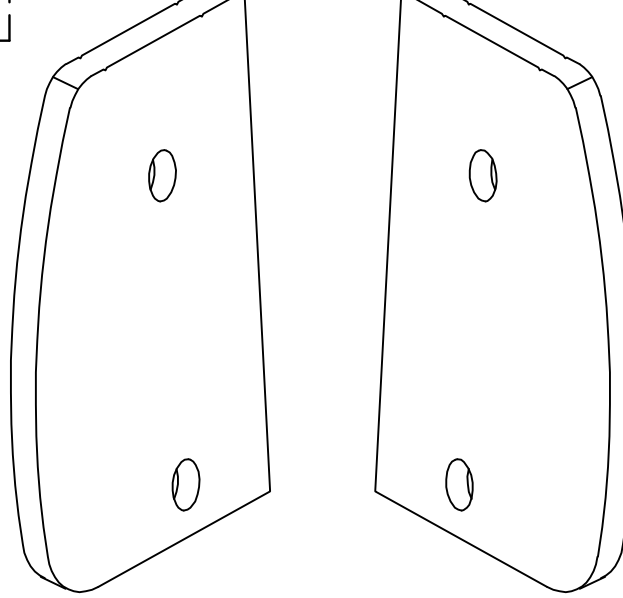
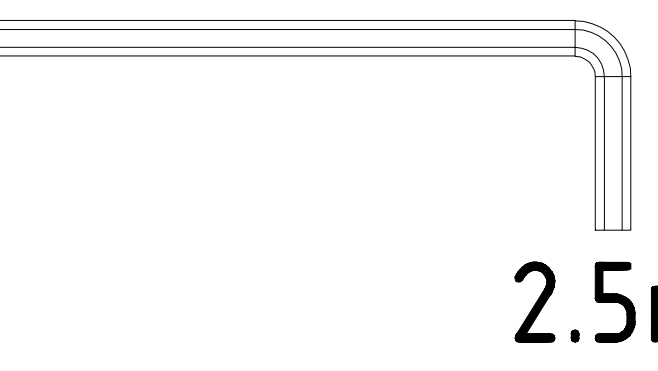
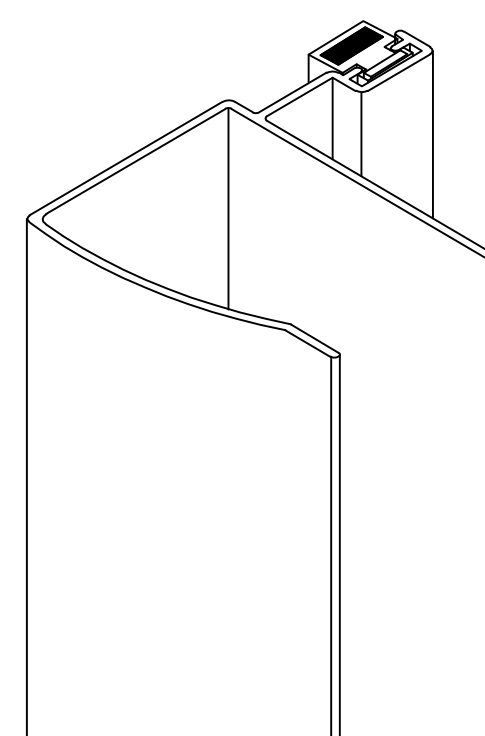
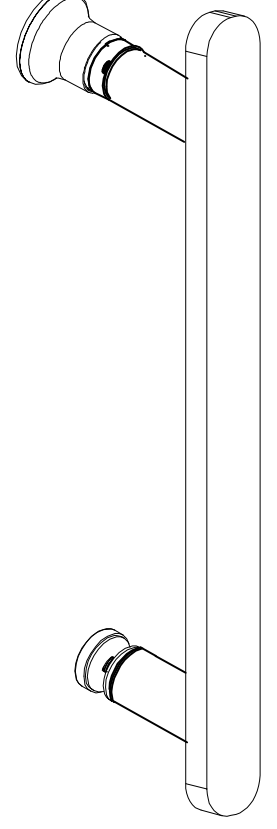
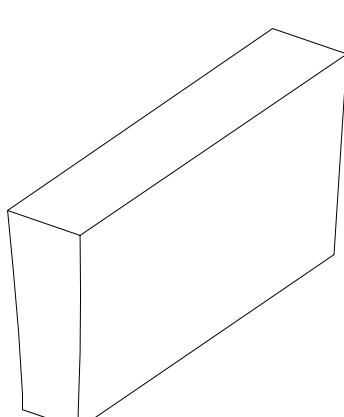
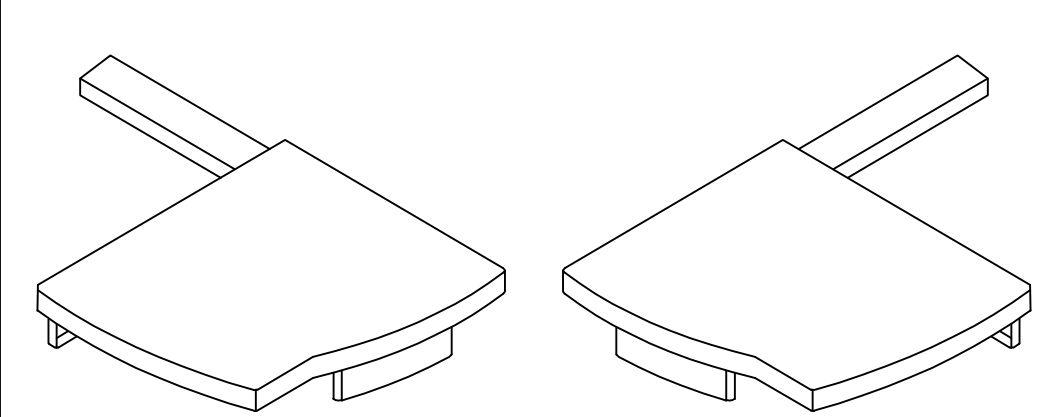
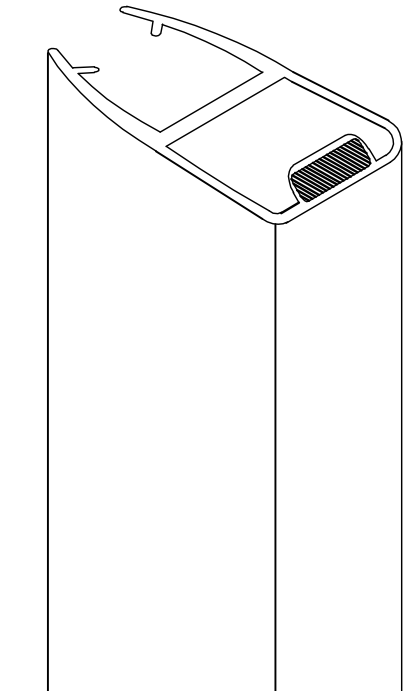
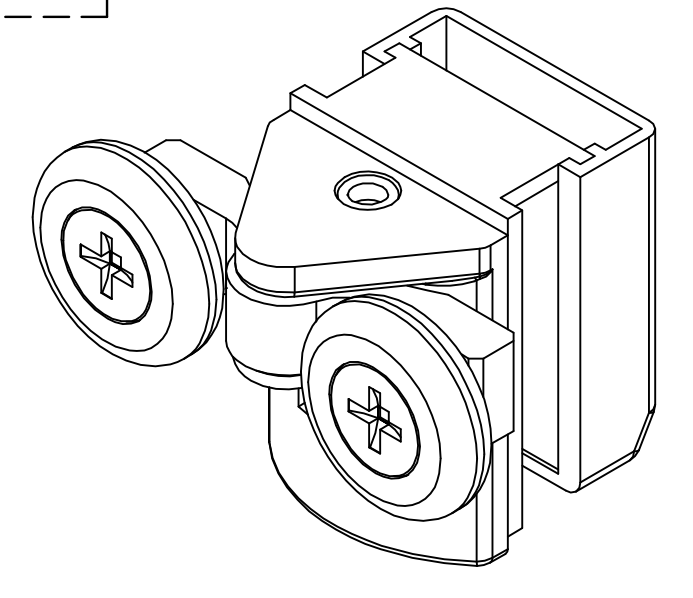
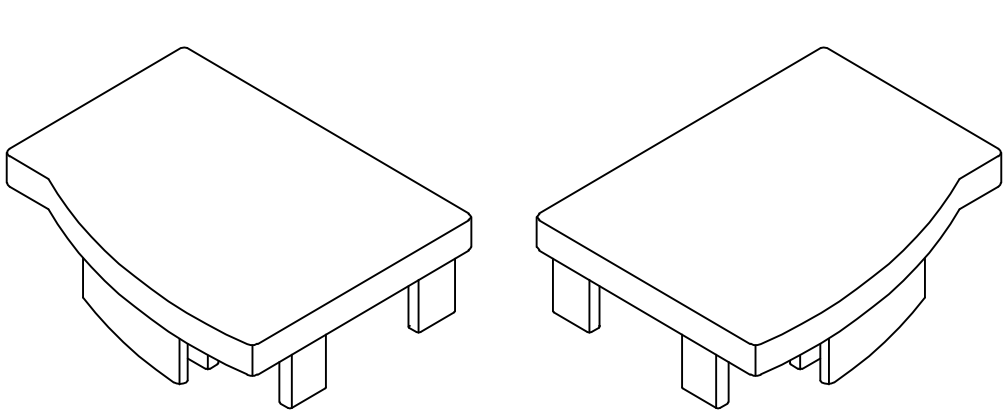


# Detailed Diagram

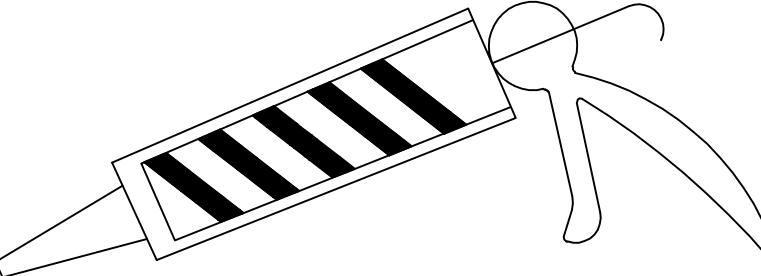
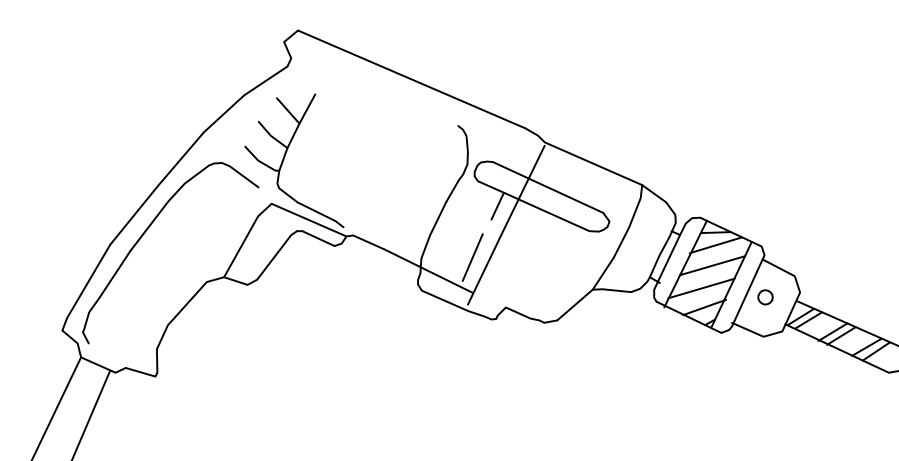
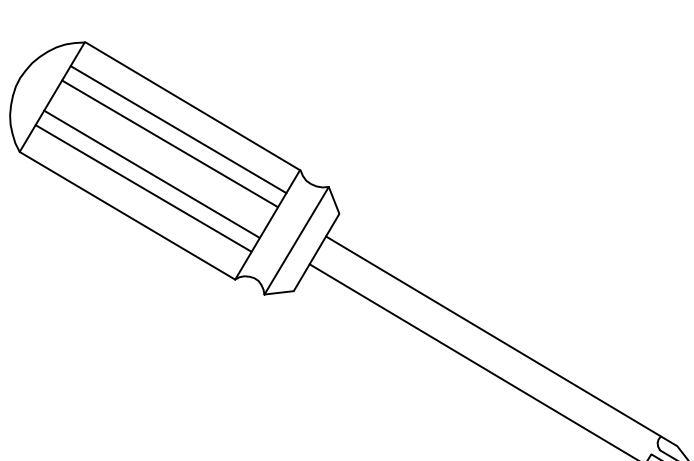
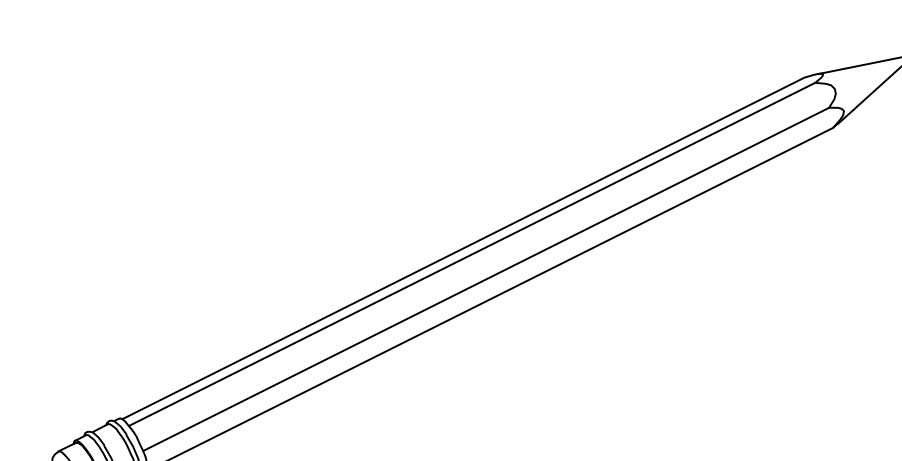
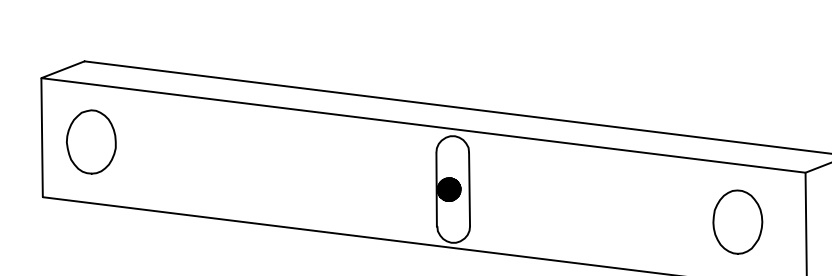
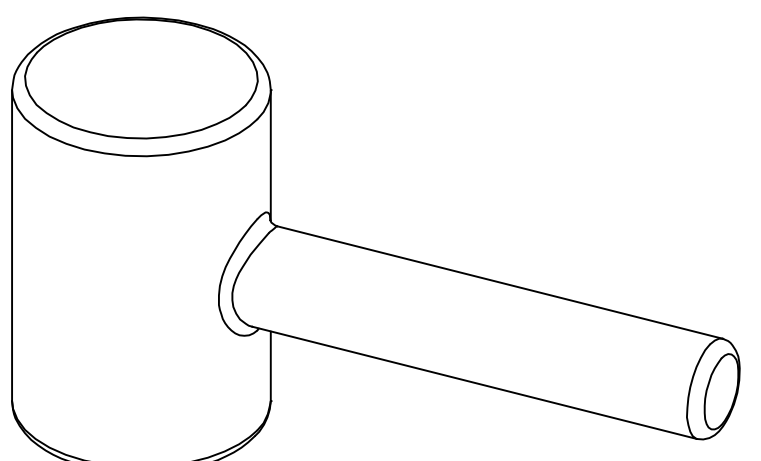
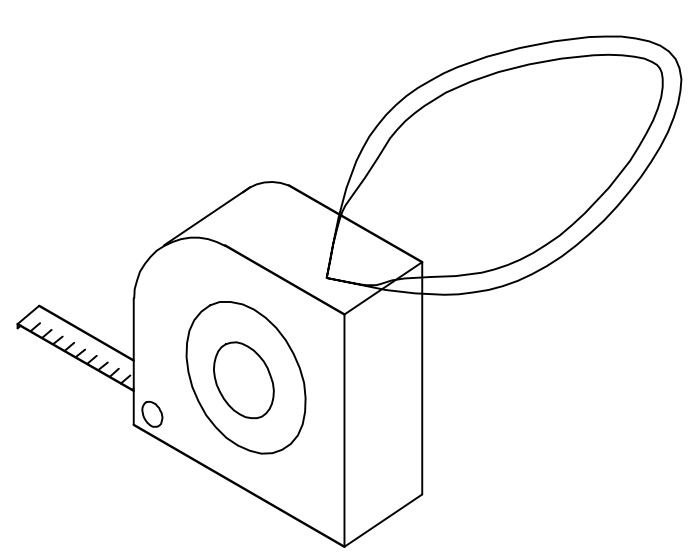
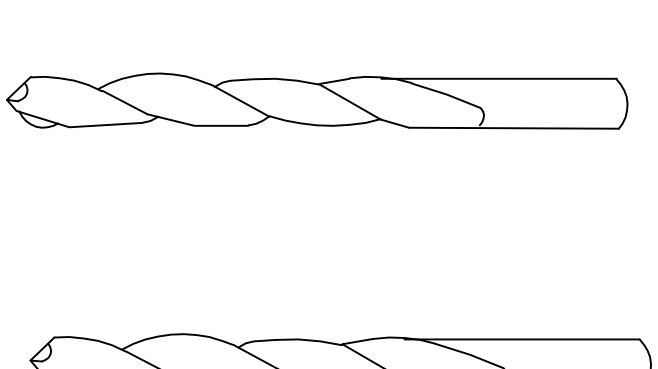
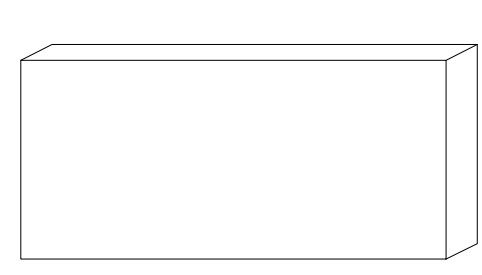
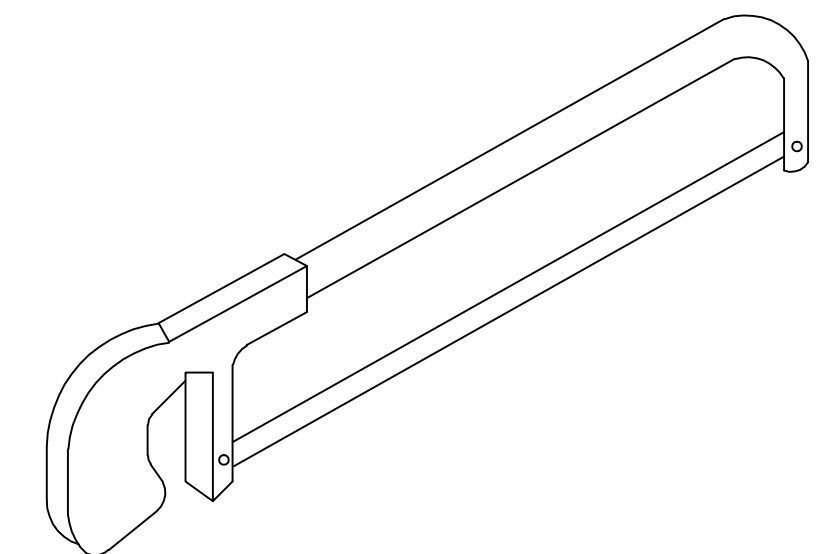




# PART LIST

Check all parts according to the list before assembly . Feel free to contact with us if you need assistance .

<b>1</b> 	<b>2</b> 	<b>3</b> 	<b>4</b> 	<b>5</b> 	<b>6</b> 
Screw cap(12PCS)	Self-tapping screw 4*12(6PCS)	Washer(12PCS)	Wall anchor 6*28(6PCS)	Self-tapping screw 4*30(14PCS)	Wall-mounted bracket(2PCS)
<b>7</b> 	<b>8</b> 	<b>9</b> 	<b>10</b> 	<b>11</b> 	<b>12</b> 
Wall bracket(1PC)	Towel bar(1PC)	Fixed panel(1PC)	Shower door seal strip(2PCS)	Water retaining strip(2PCS)	Fixed panel piece(2PCS)
<b>13</b> 	<b>14</b> 	<b>15</b> 	<b>16</b> 	<b>17</b> 	<b>18</b>  2.5mm
(Left / Right) Side track cap(2PCS)	Shower door track(2PCS)	Bottom roller assembly(2PCS)	Movable door(1PC)	(Left / Right) Side track cap(2PCS)	Allen wrench(1PC)
<b>19</b> 	<b>20</b> 	<b>21</b> 	<b>22</b> 	<b>23</b> 	<b>24</b> 
Wide wall bracket(1PC)	Handle(1PC)	Insert piece(1PC)	(Left / Right) Cover for wide wall bracket (2PCS)	Magnetic strip(1PC)	Top roller assembly(2PCS)
<b>25</b> 					
(Left / Right) Wall bracket cover(2PCS)					

## Recommended Tools

					
Silicone	Drill	Philips Screw Driver	Pencil	Level	Rubber Mallet
					
Tape Measure	Ø1/4" & 1/8" Drill Bit	Wooden Jam	Hacksaw	Safety Glass	Safety Gloves

\*Utilize Safety Glasses and Safety Gloves when constructing this shower door\*



## **Product installation attention and maintenance**

**Note:** When installing, the glass corner protector cannot be dropped. And glass corners cannot touch the ground

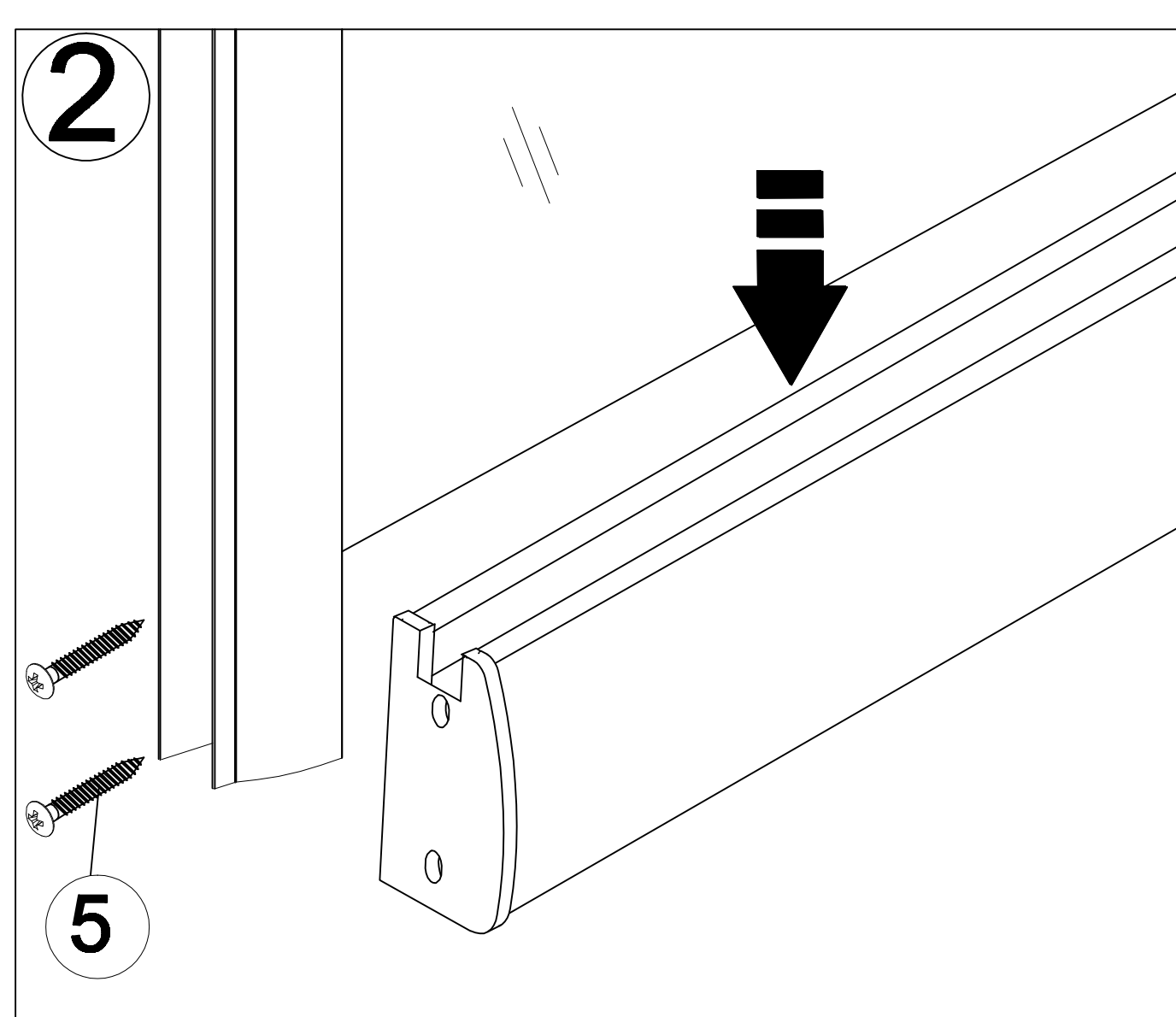
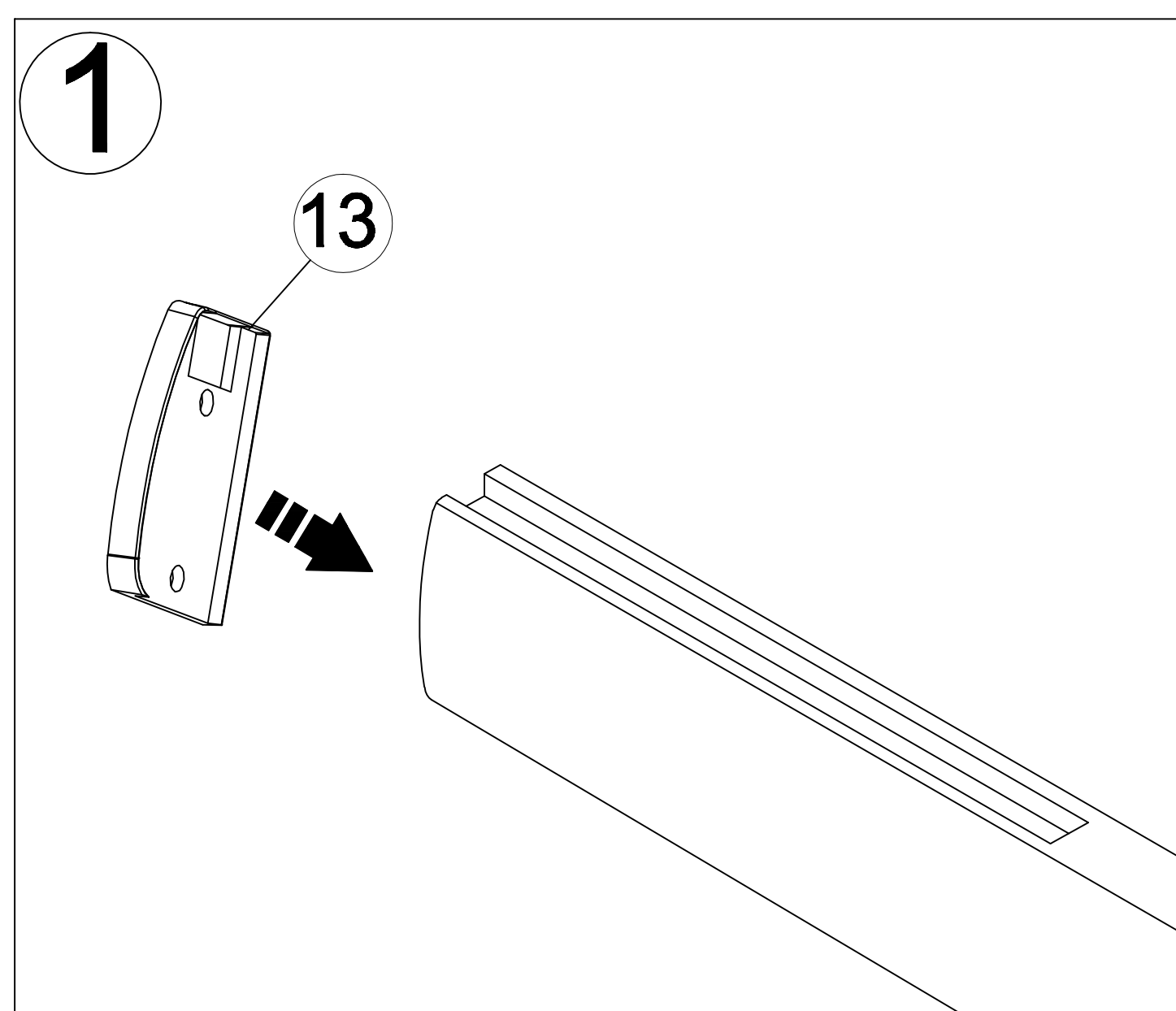
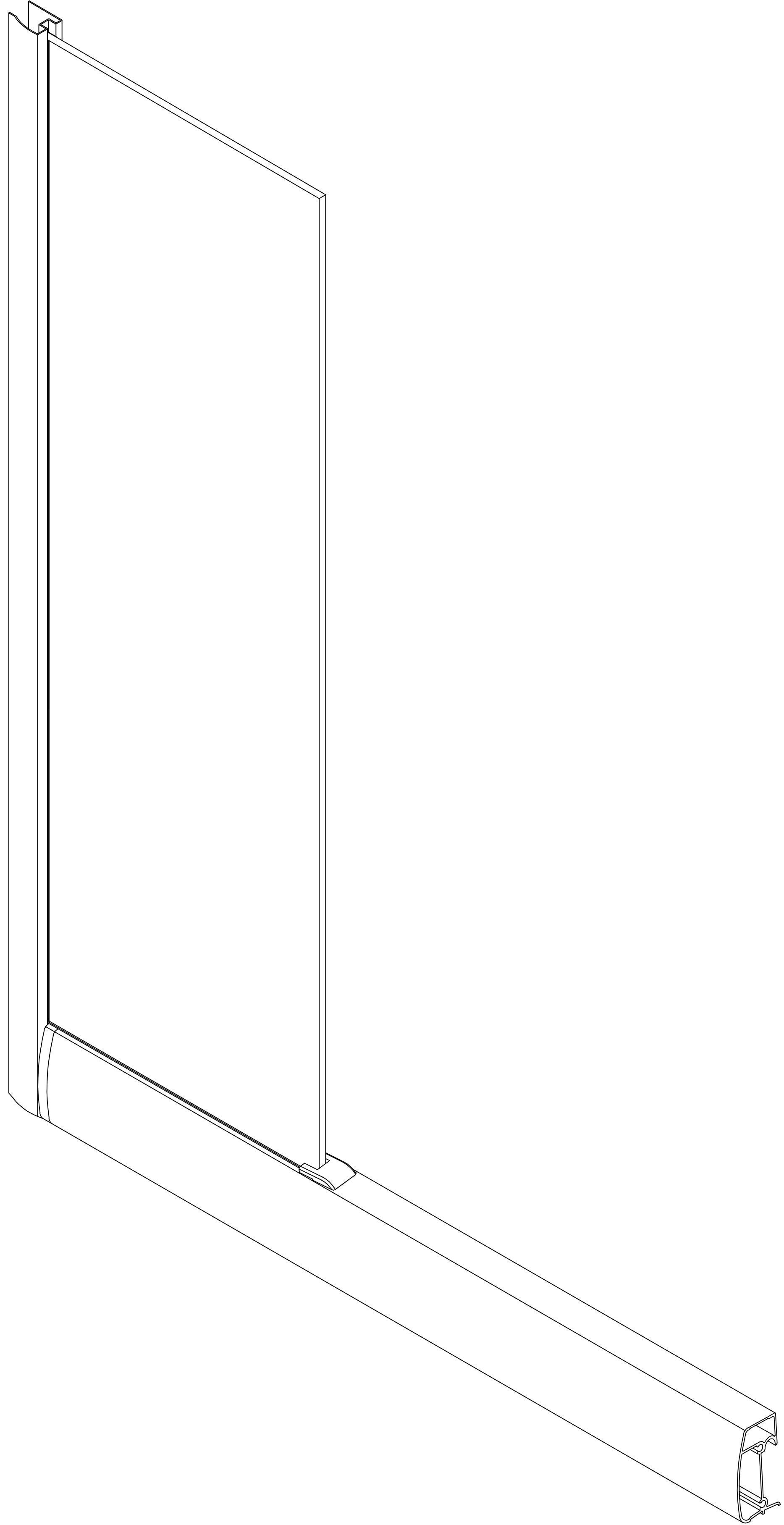
**GLASS:** To ensure long lasting life for your glass shower products: wipe them off after each use with a soft cloth. Rinse and wipe off the glass using either a soft cloth or a squeegee to prevent soap buildup and water spots (Hard water can etch the surface of the glass over time if left to dry). To prevent scratching the surface: never use abrasive cleaners or cleaning products that contain scouring agents. Never use bristle brushes or abrasive sponges that may scratch the surface.

**HARDWARE:** To ensure a long lasting finish: wipe off the metal parts after each use with a soft cloth. Do not use abrasive cleaners or cleaning products containing ammonia, bleach or acid. If accidentally used, rinse the surface as soon as possible to prevent damage to the finish (peeling or corrosion). After cleaning the polished finishes, rinse thoroughly and wipe dry with soft cloth. Clean stainless steel surfaces at least once a week. When applying stainless steel cleaner or polish to stainless steel hardware, work with (not across) the grain. Never use an abrasive sponge or cloth, steel wool or wired brush as these may permanently scratch the surfaces.

# Left Hand Assembly

## STEP 1

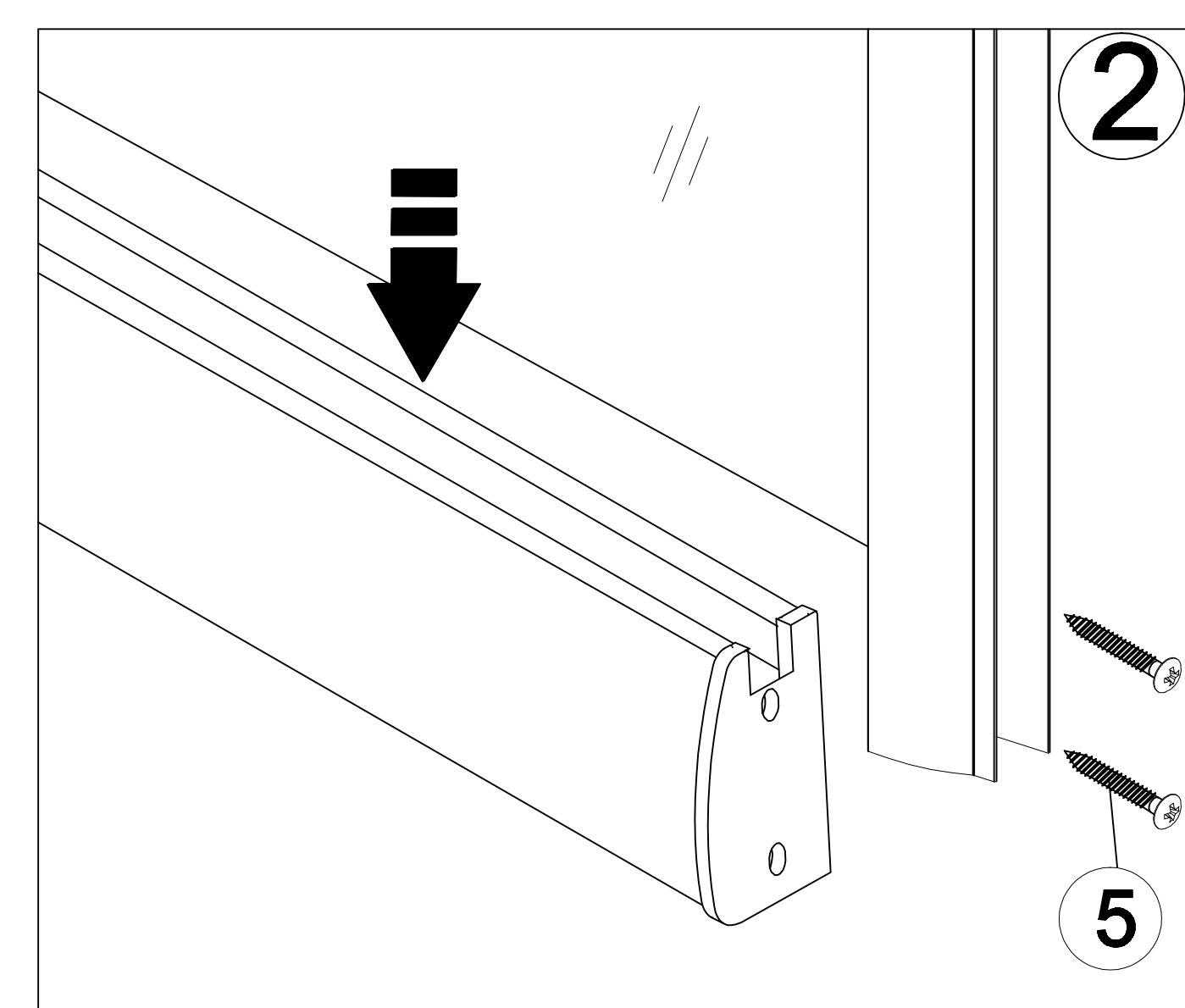
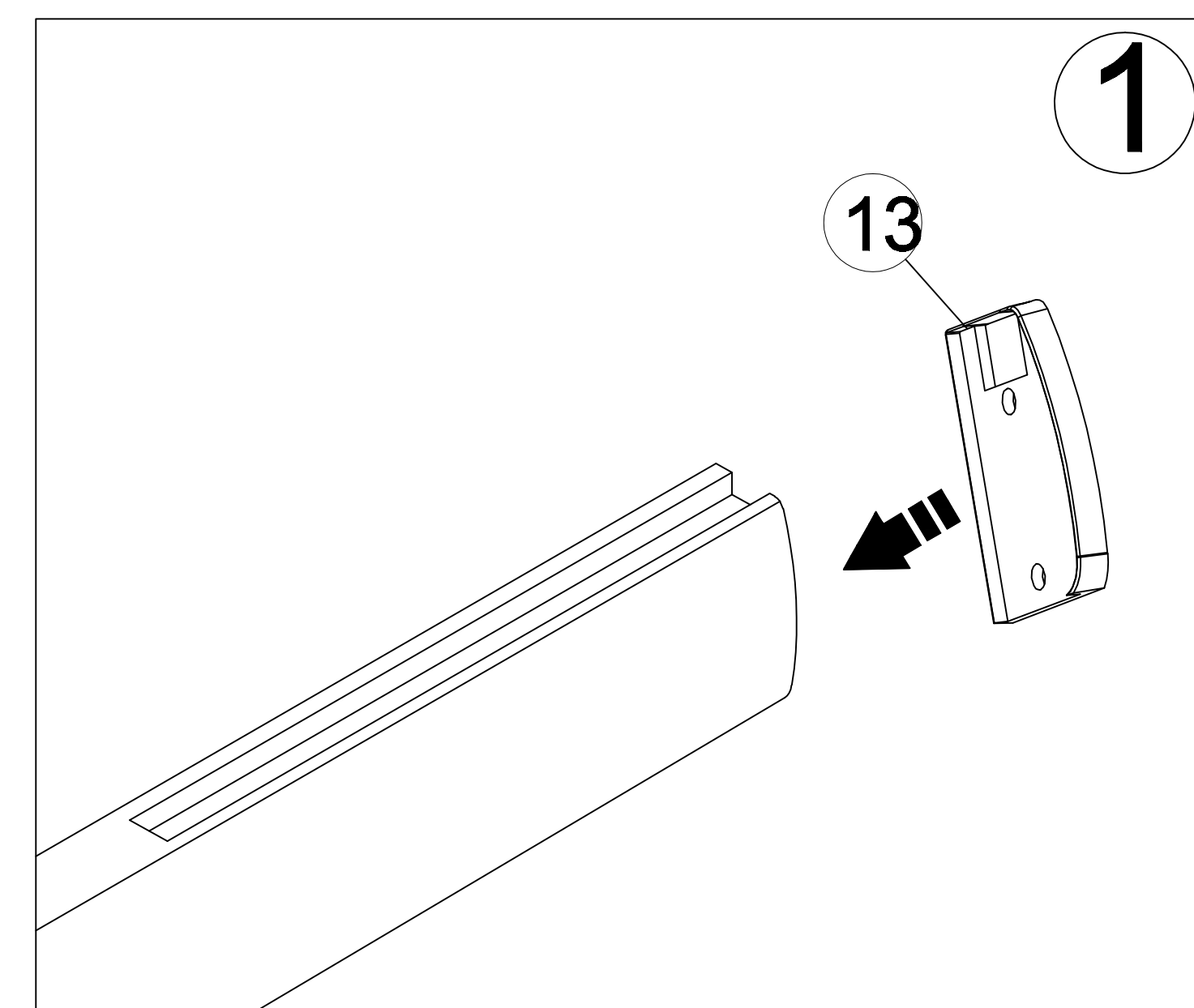
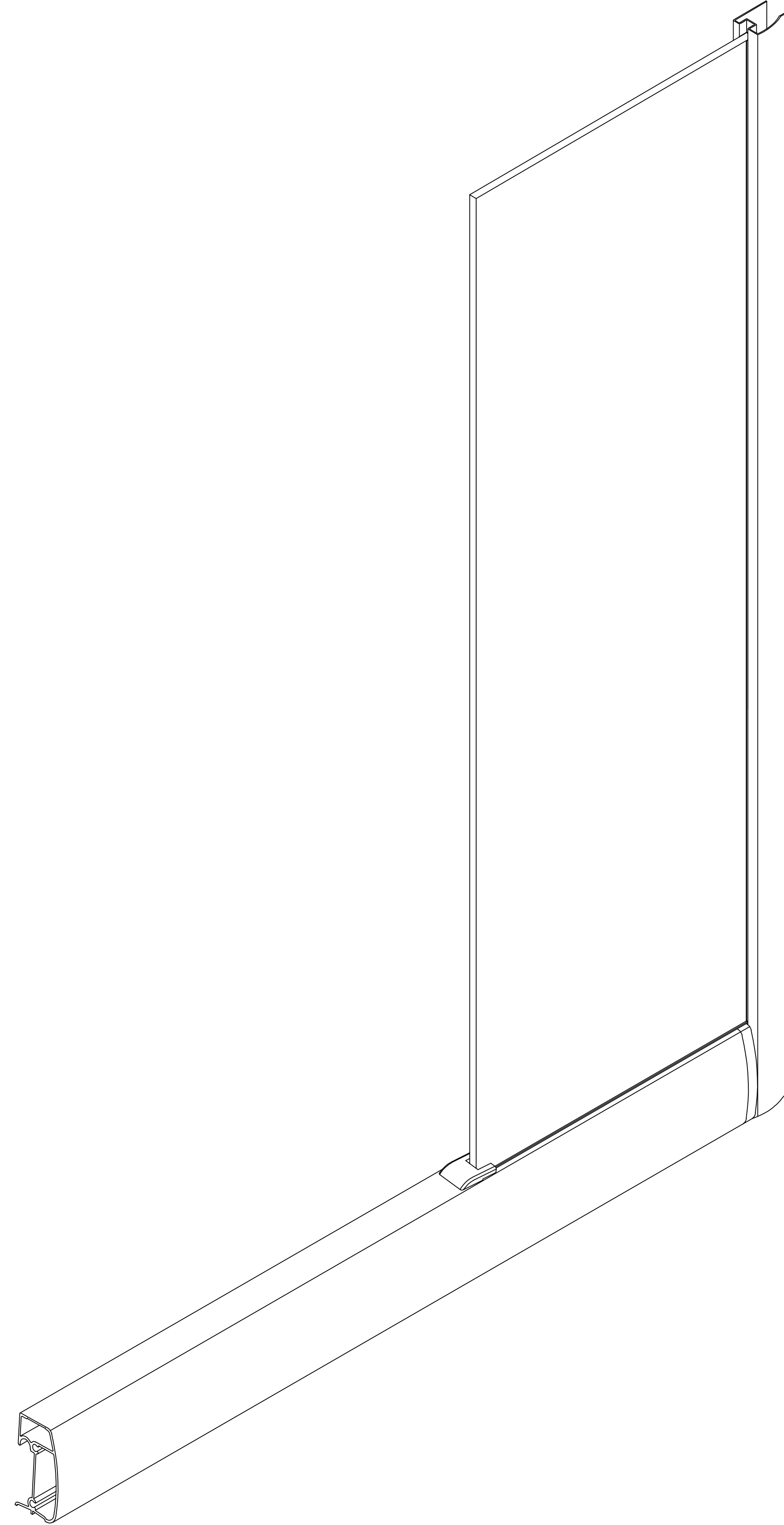
1. Assemble left-side track cap(13) to shower door track(14).
2. Assemble wall bracket(7) to fixed panel(9) and insert fixed panel to shower door track(14), secure wall bracket(7) tight to shower door track(14) with self-tapping screw 4\*30(5).



# Right Hand Assembly

## STEP 1

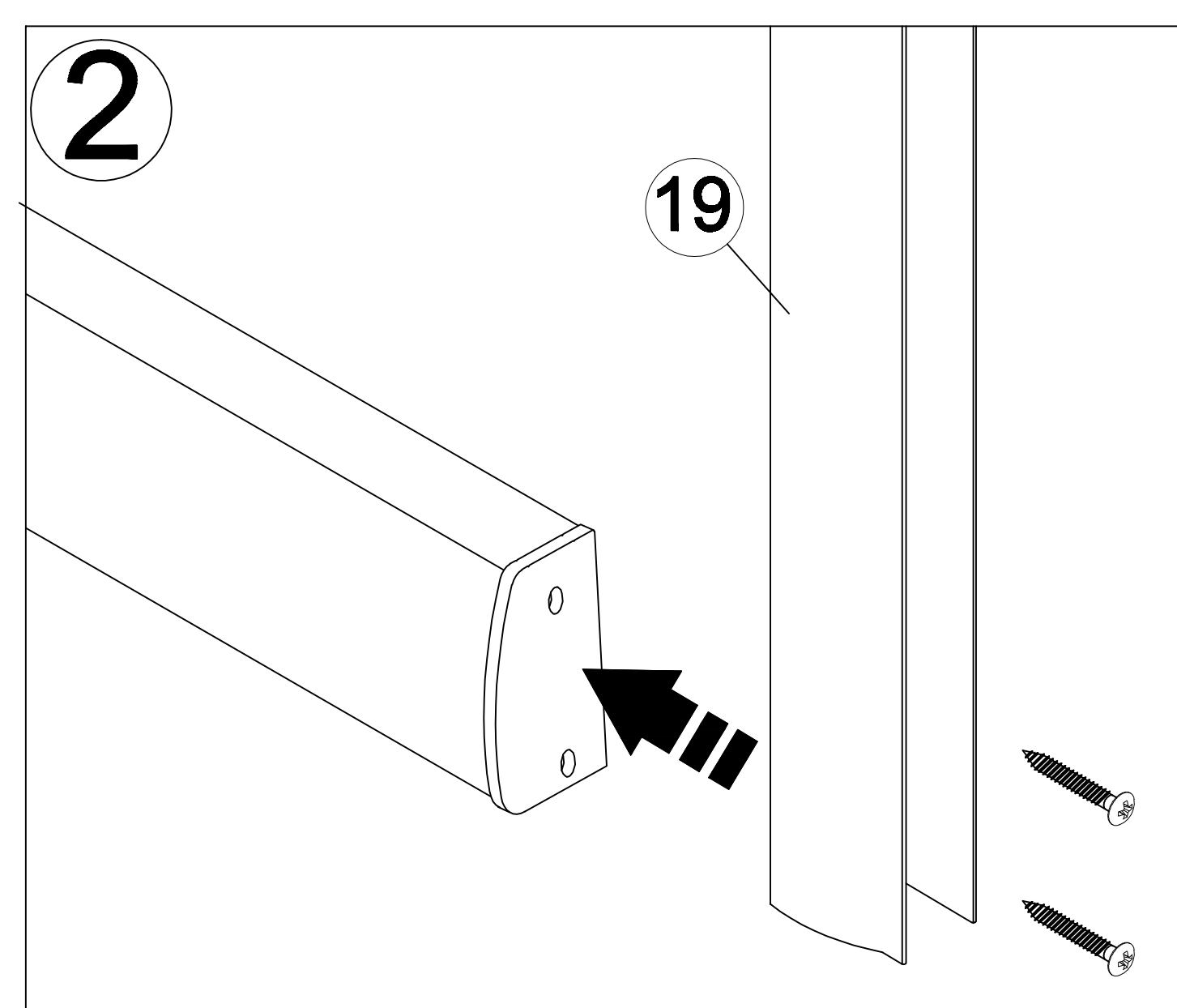
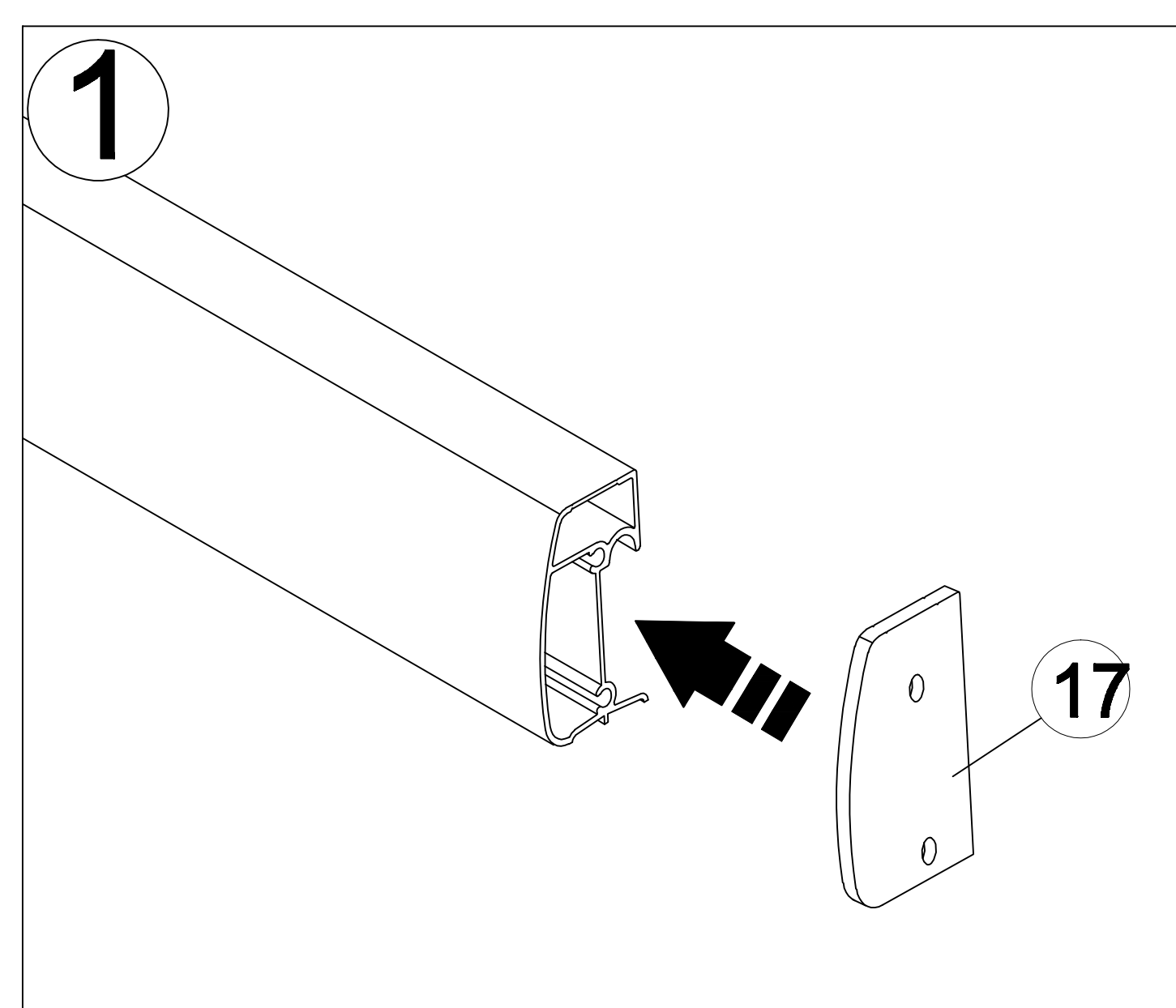
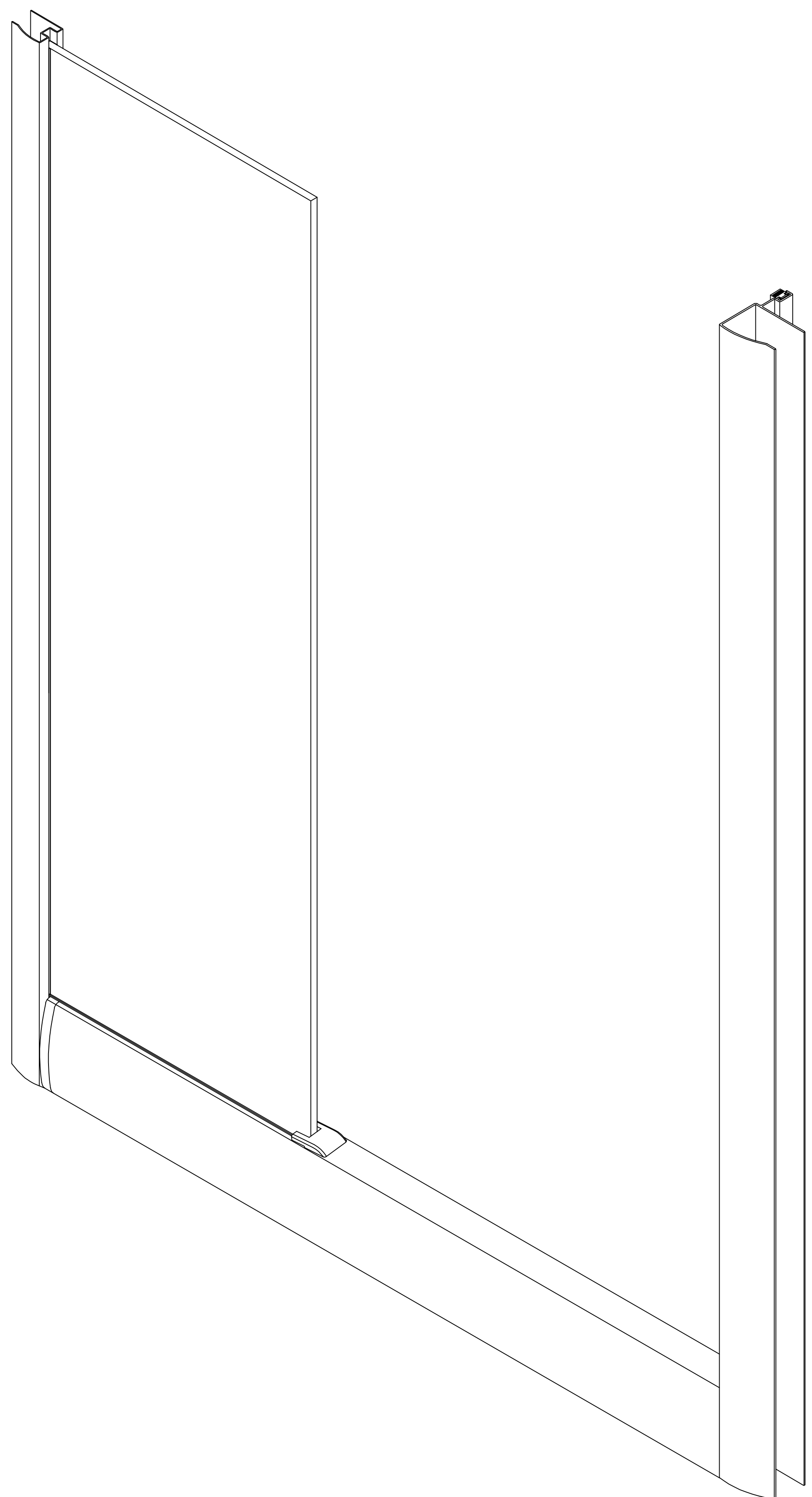
1. Assemble right-side track cap(13) to shower door track(14).
2. Assemble wall bracket(7) to fixed panel(9) and insert fixed panel to shower door track(14), secure wall bracket(7) tight to shower door track(14) with self-tapping screw 4\*30(5).



## Left Hand Assembly

### STEP 2

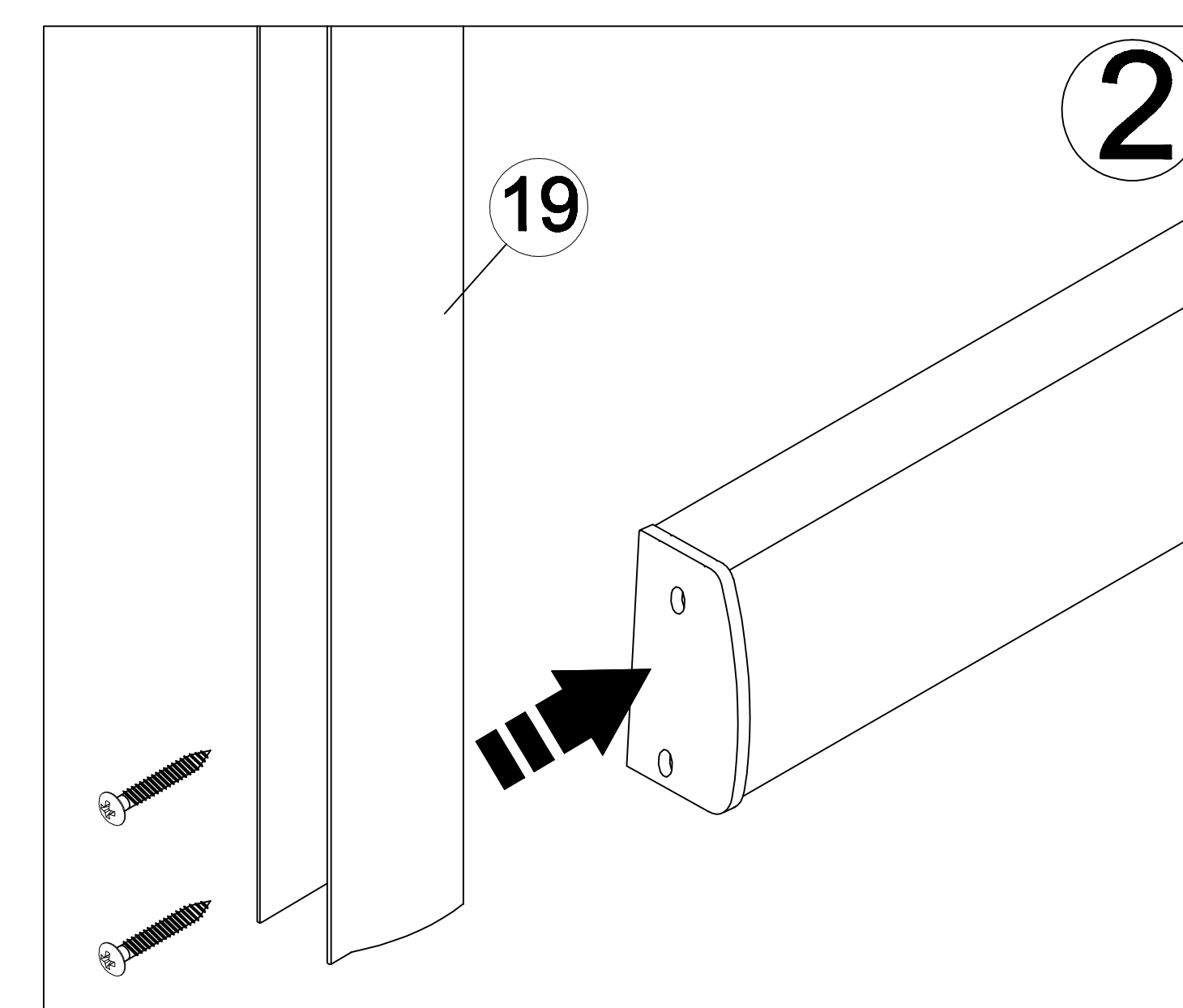
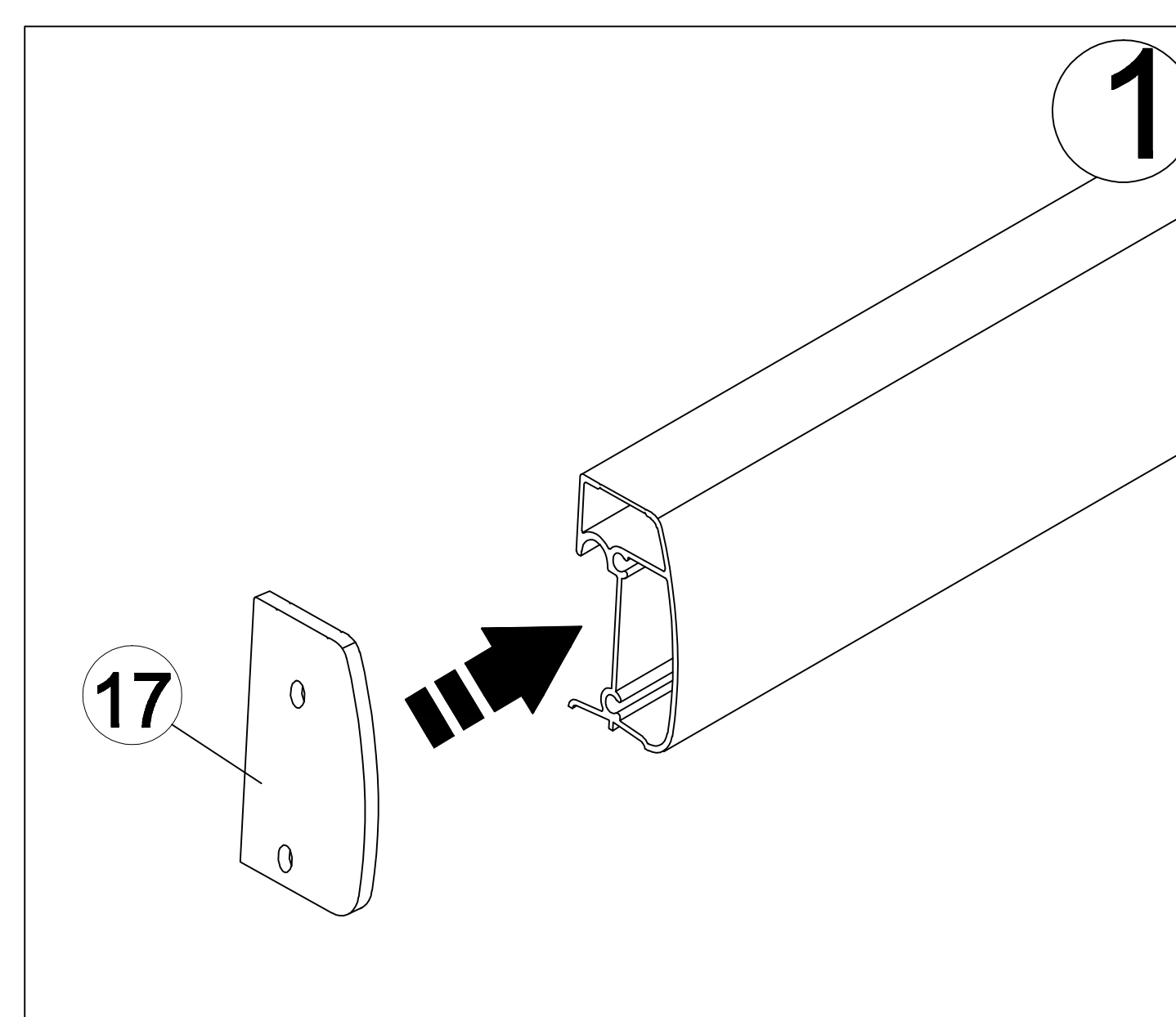
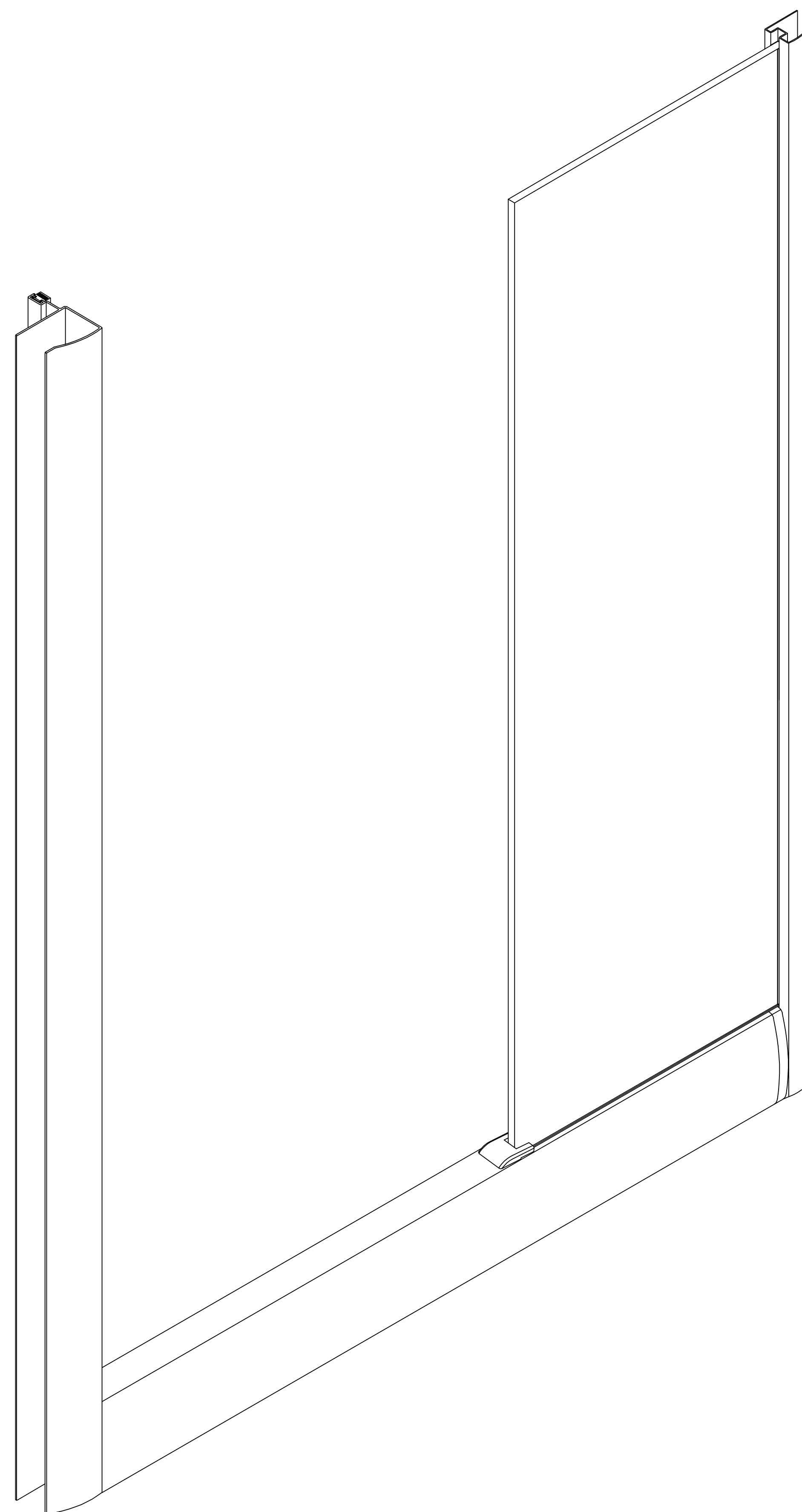
1. Assemble right-side track cap(17) to shower door track(14).
2. Secure wide wall bracket(19) to shower door track(14) with self-tapping screws 4\*30(5).



## Right Hand Assembly

### STEP 2

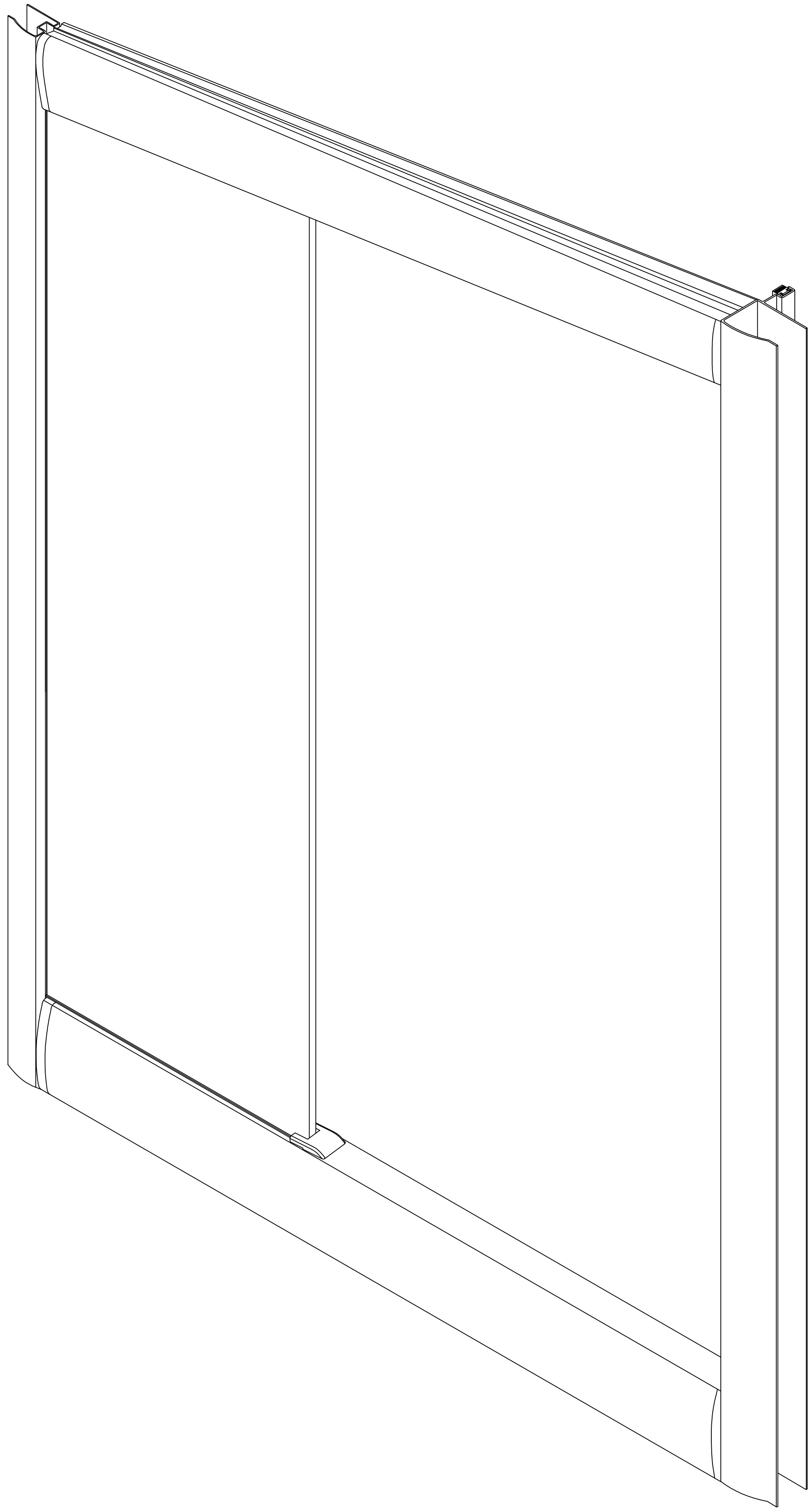
1. Assemble left-side track cap(17) to shower door track(14).
2. Secure wide wall bracket(19) to shower door track(14) with self-tapping screws 4\*30(5).



## Left Hand Assembly

### STEP 3

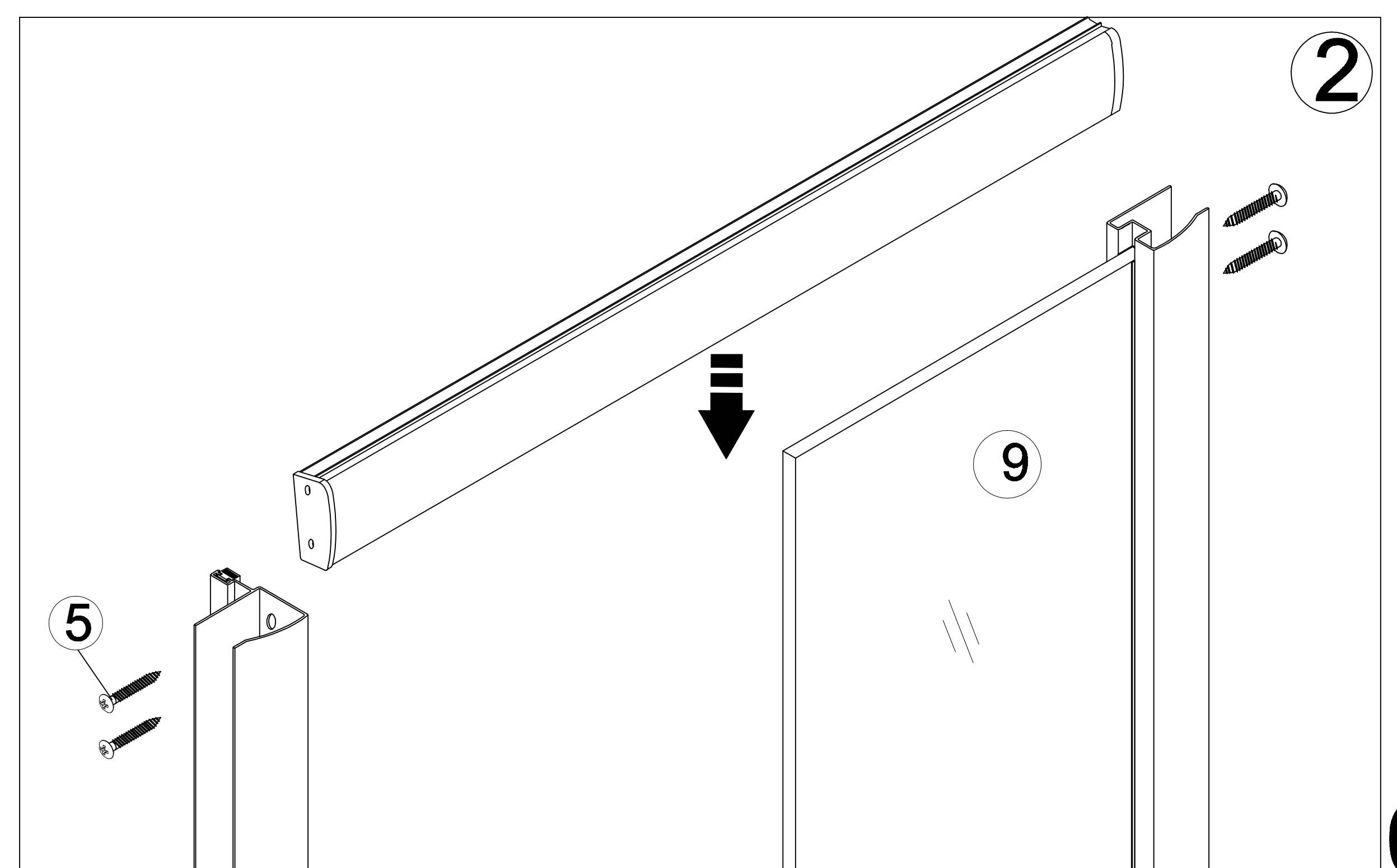
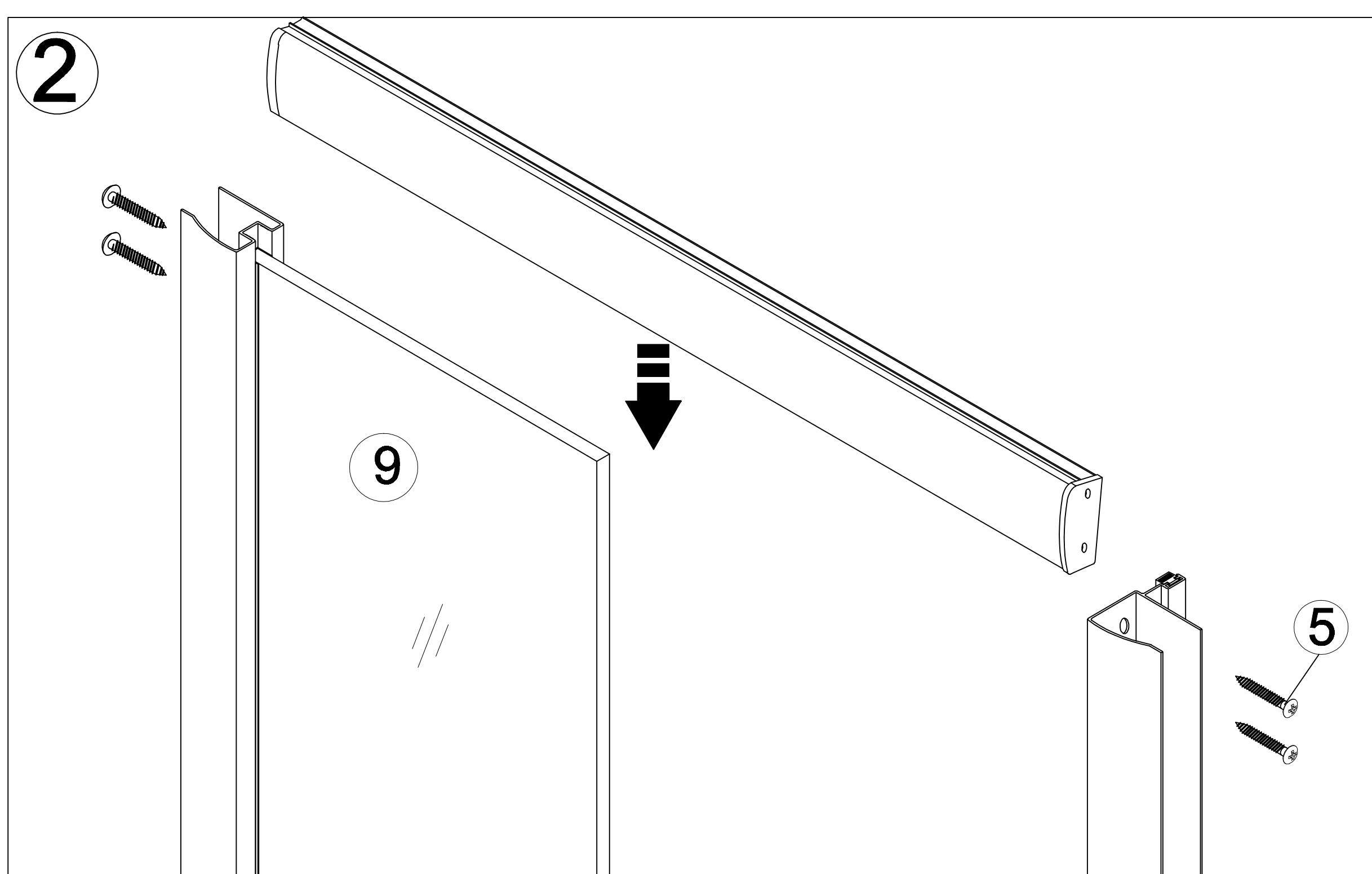
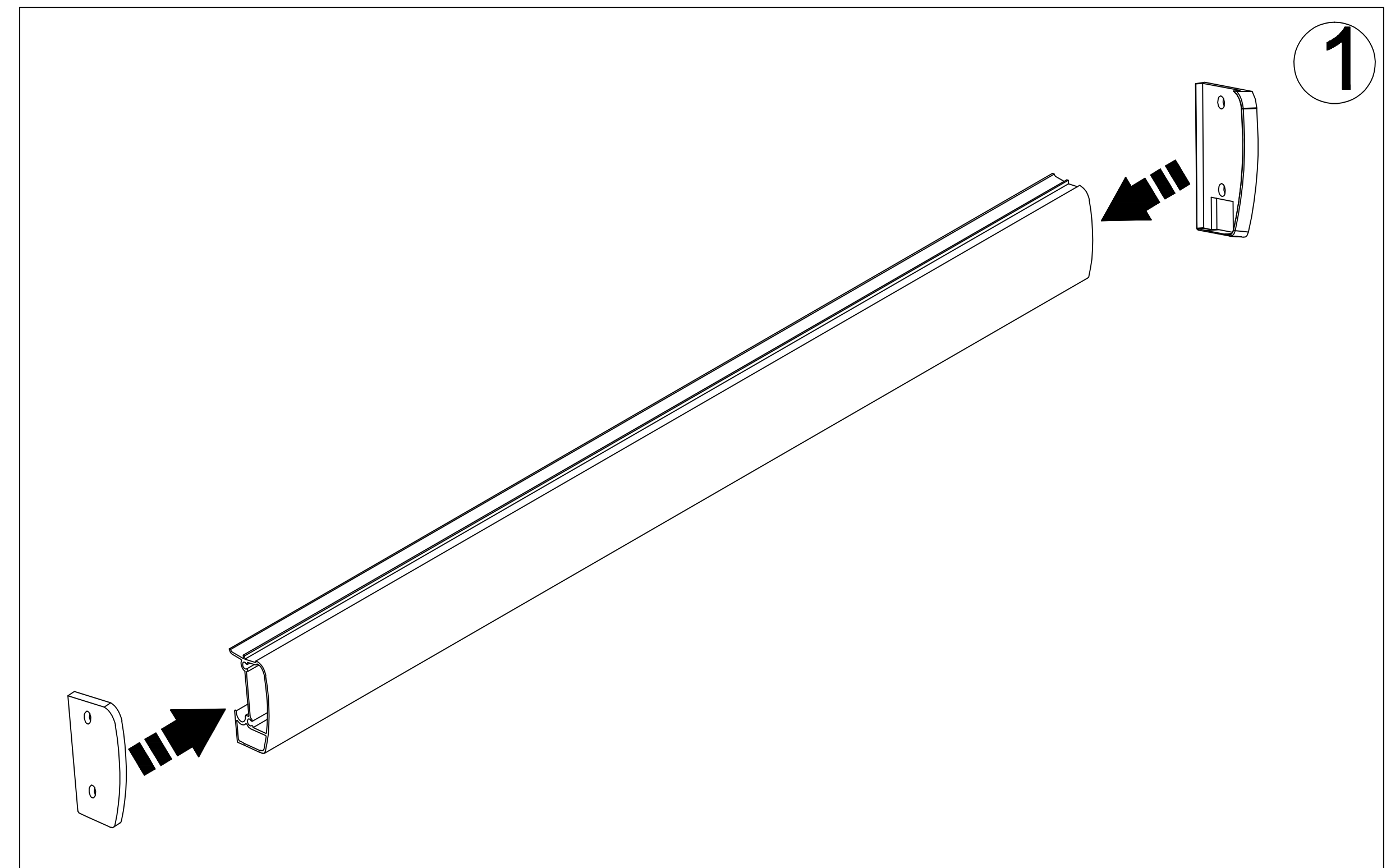
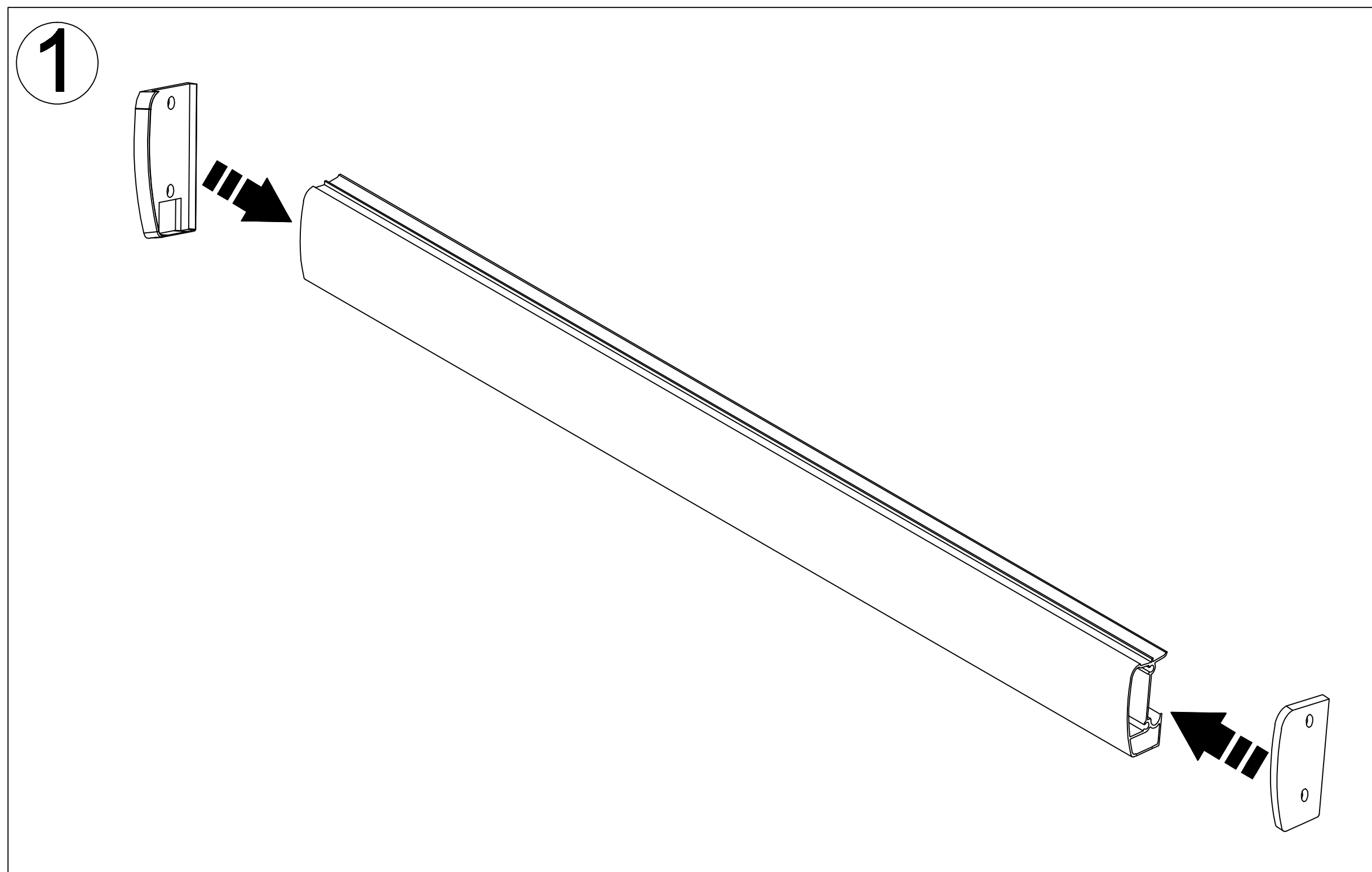
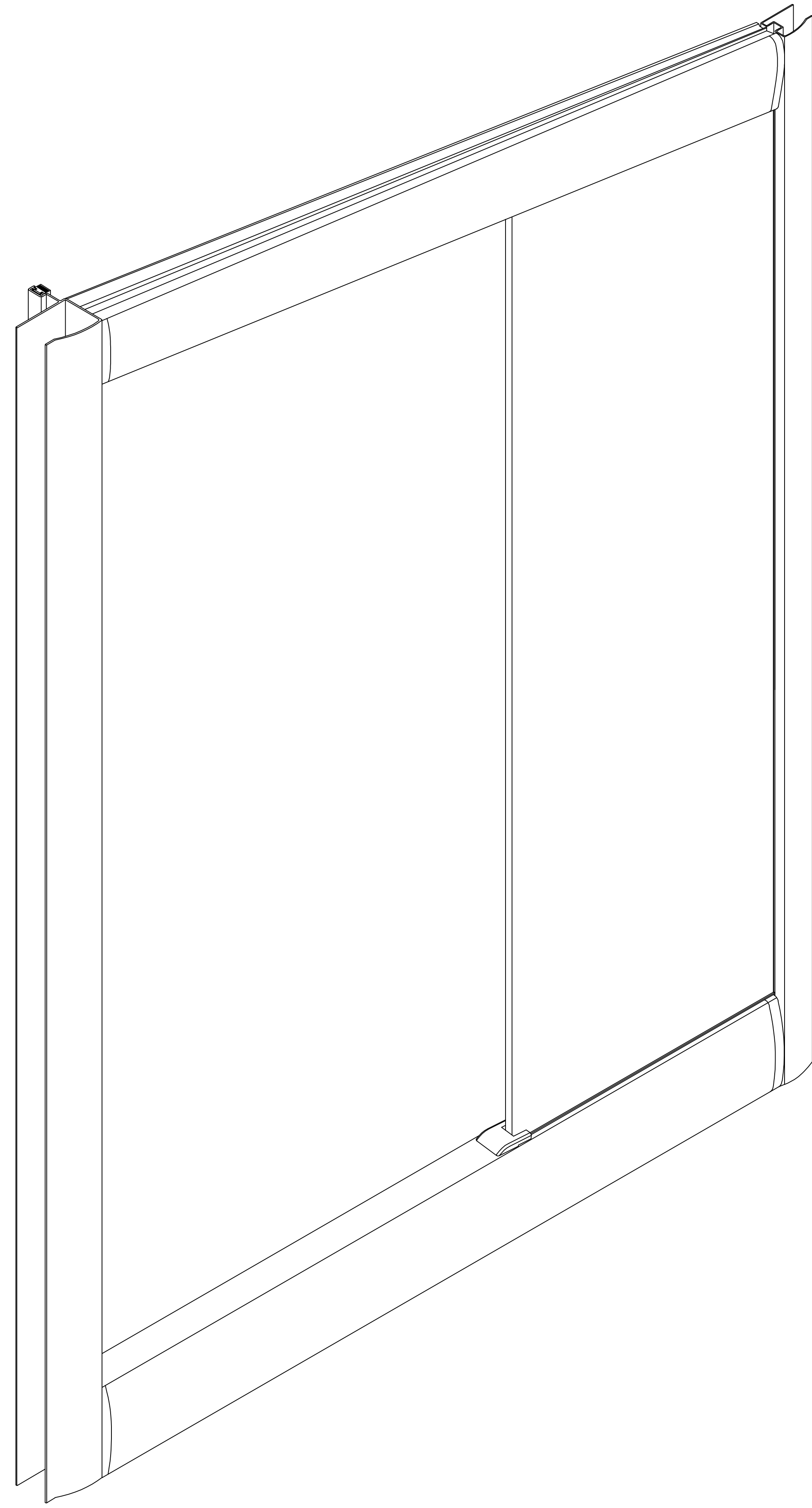
1. Assemble left-side track cap(13) and right-side track cap(17) to ends of shower door track(14).
2. Insert shower door track(14) to Fixed panel(9), lock shower door track(14) to wall bracket(7) and wide wall bracket(19) by using self-tapping screws 4\*30(5).



## Right Hand Assembly

### STEP 3

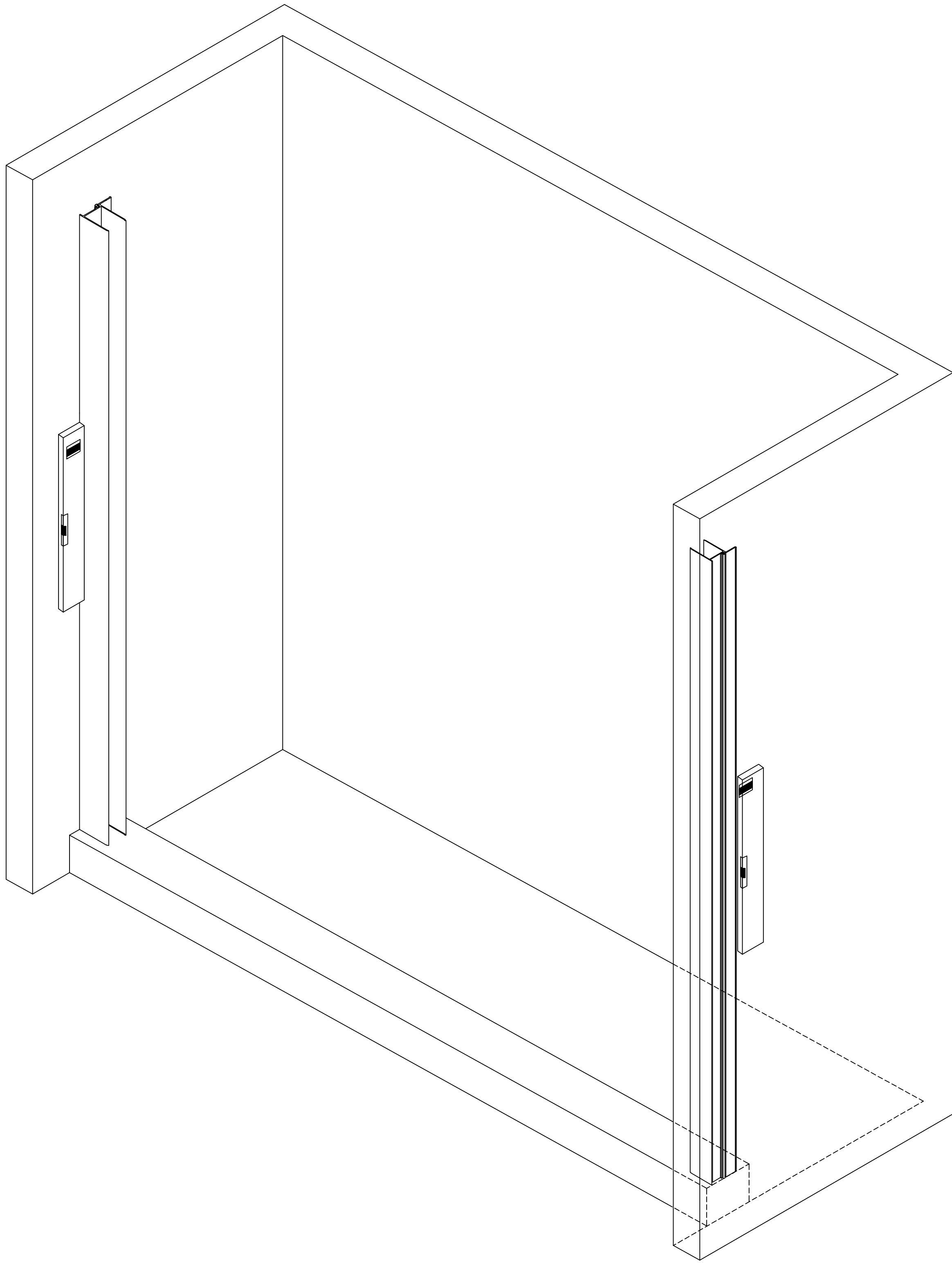
1. Assemble left-side track cap(17) and right-side track cap(13) to ends of shower door track(14).
- 2.2. Insert shower door track(14) to Fixed panel(9), lock shower door track(14) to wall bracket(7) and wide wall bracket(19) by using self-tapping screws 4\*30(5).



## Left Hand Assembly

### STEP 4

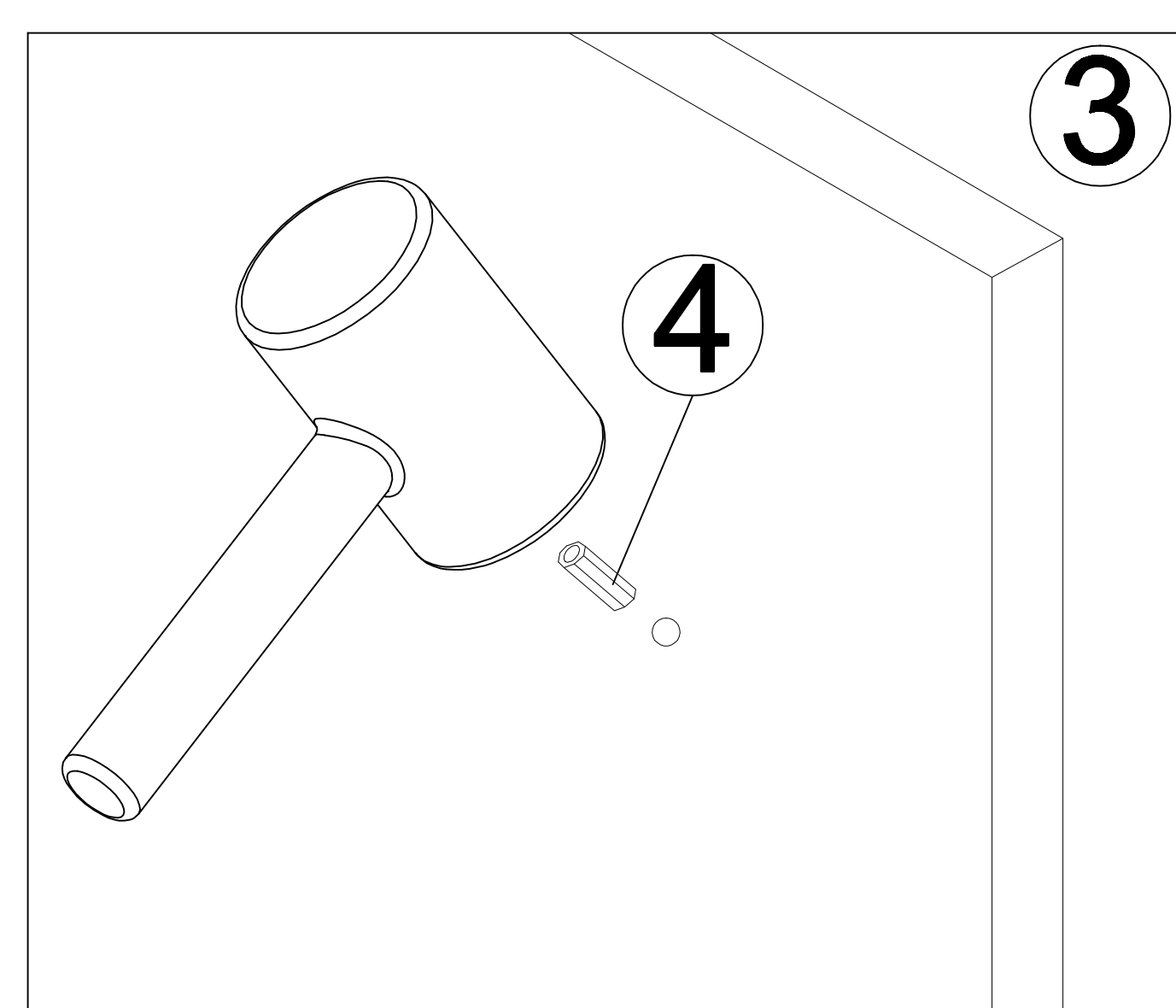
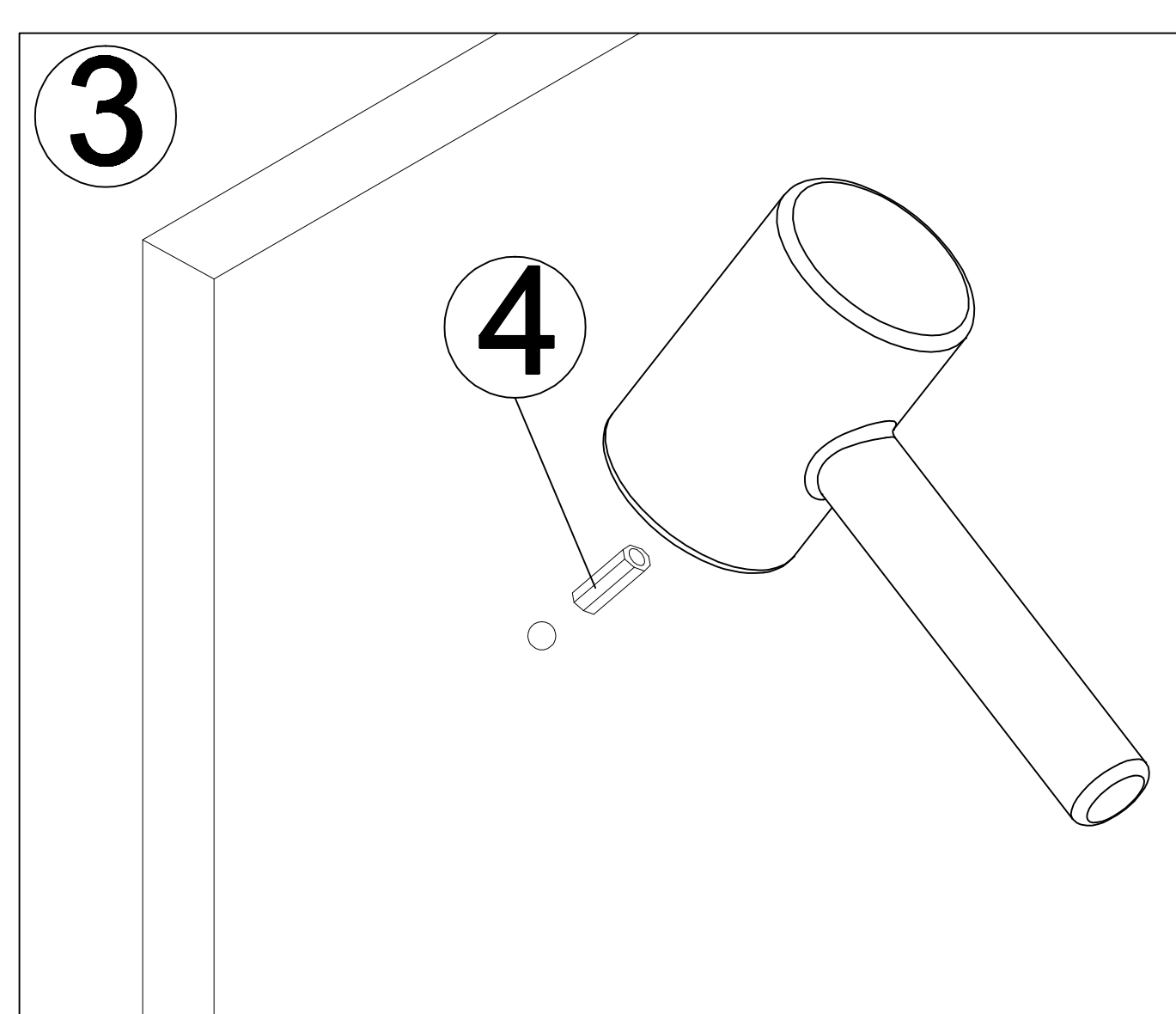
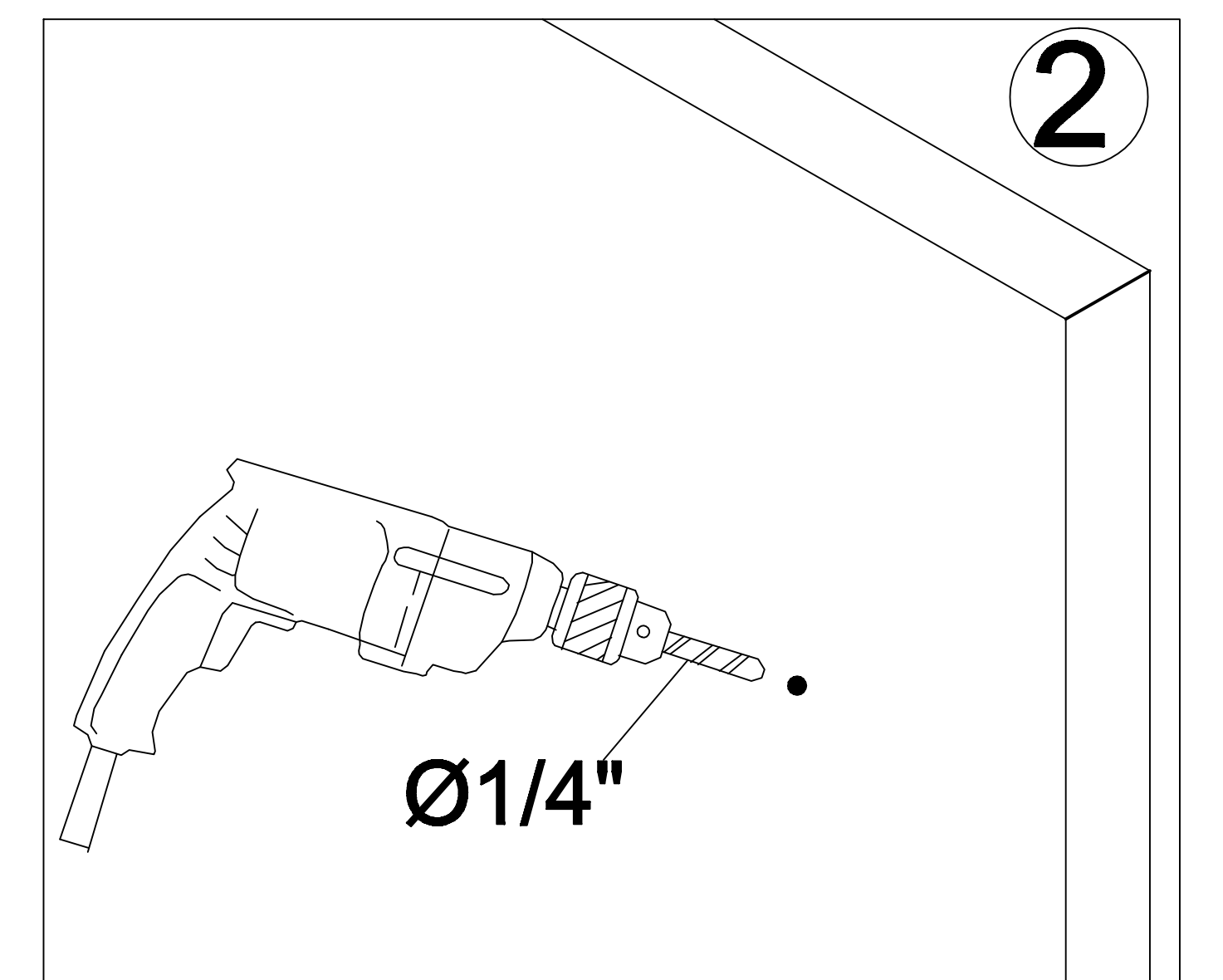
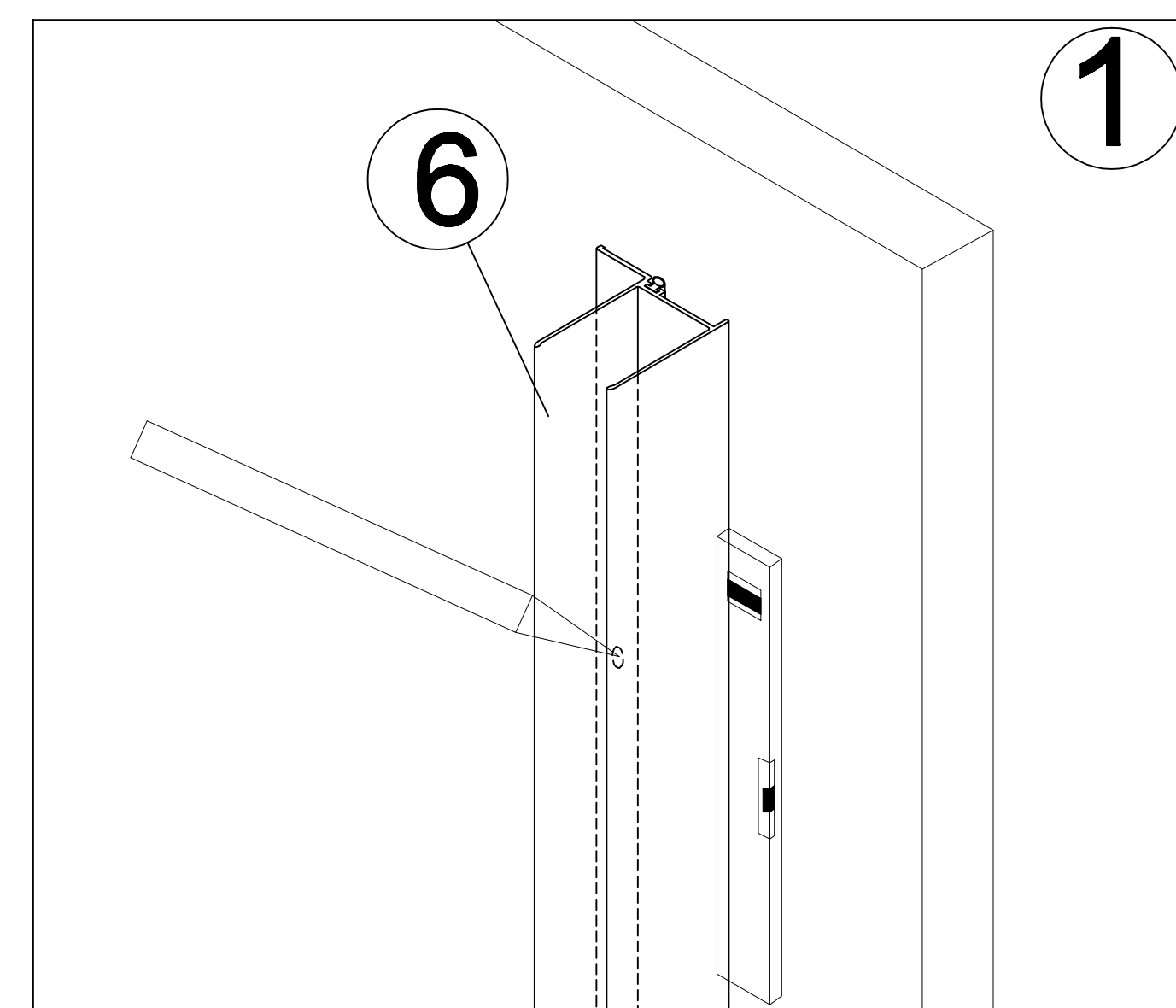
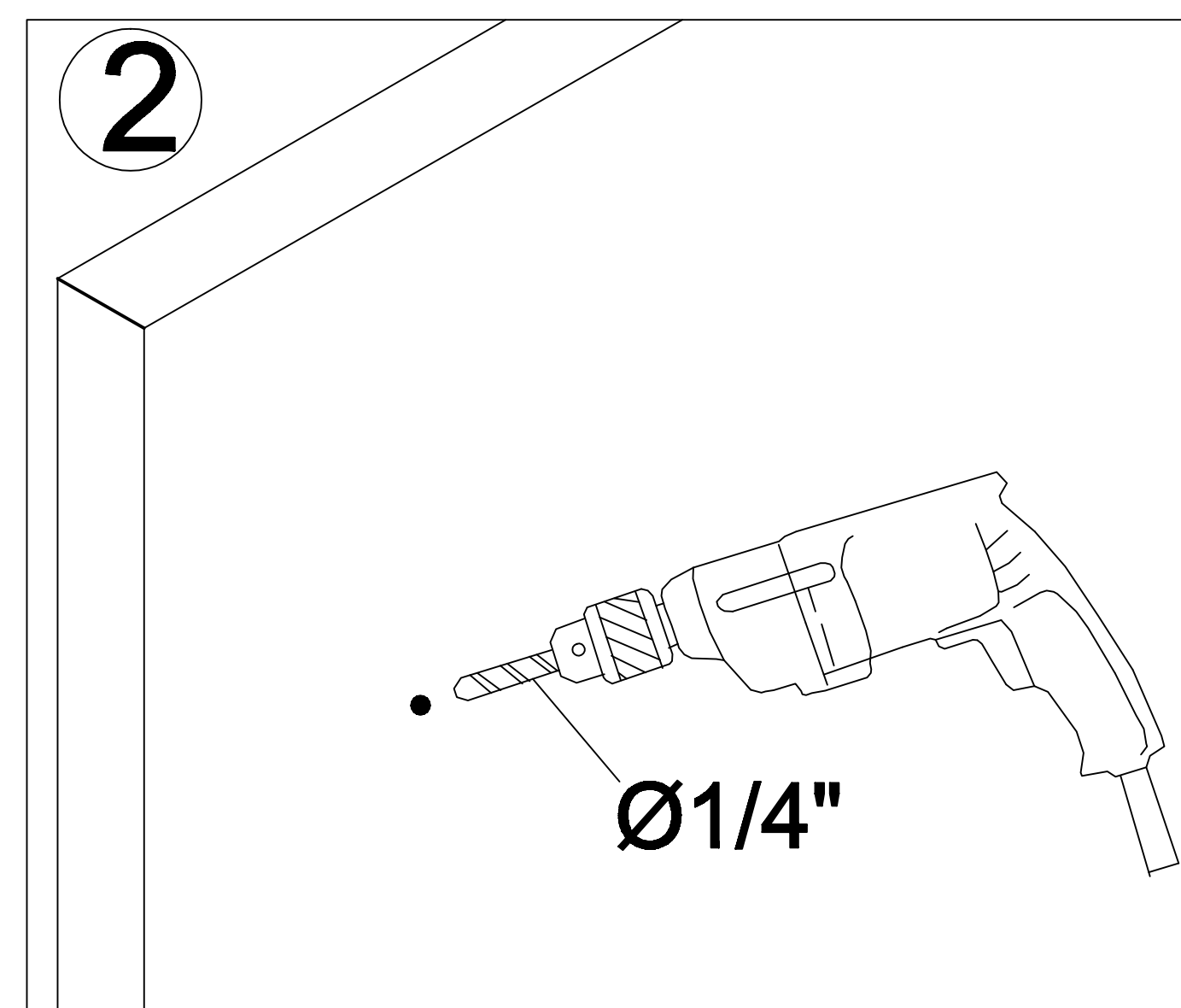
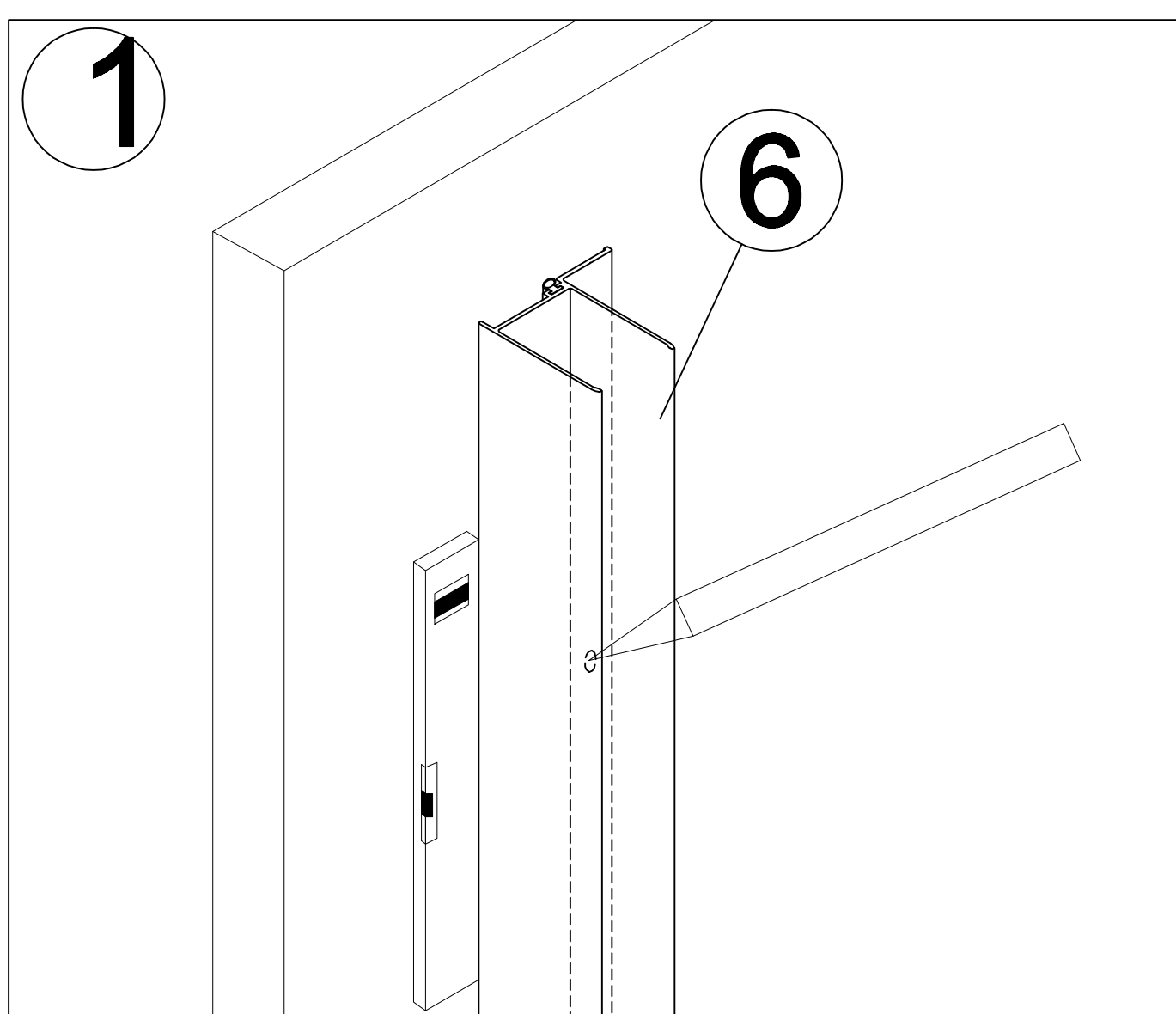
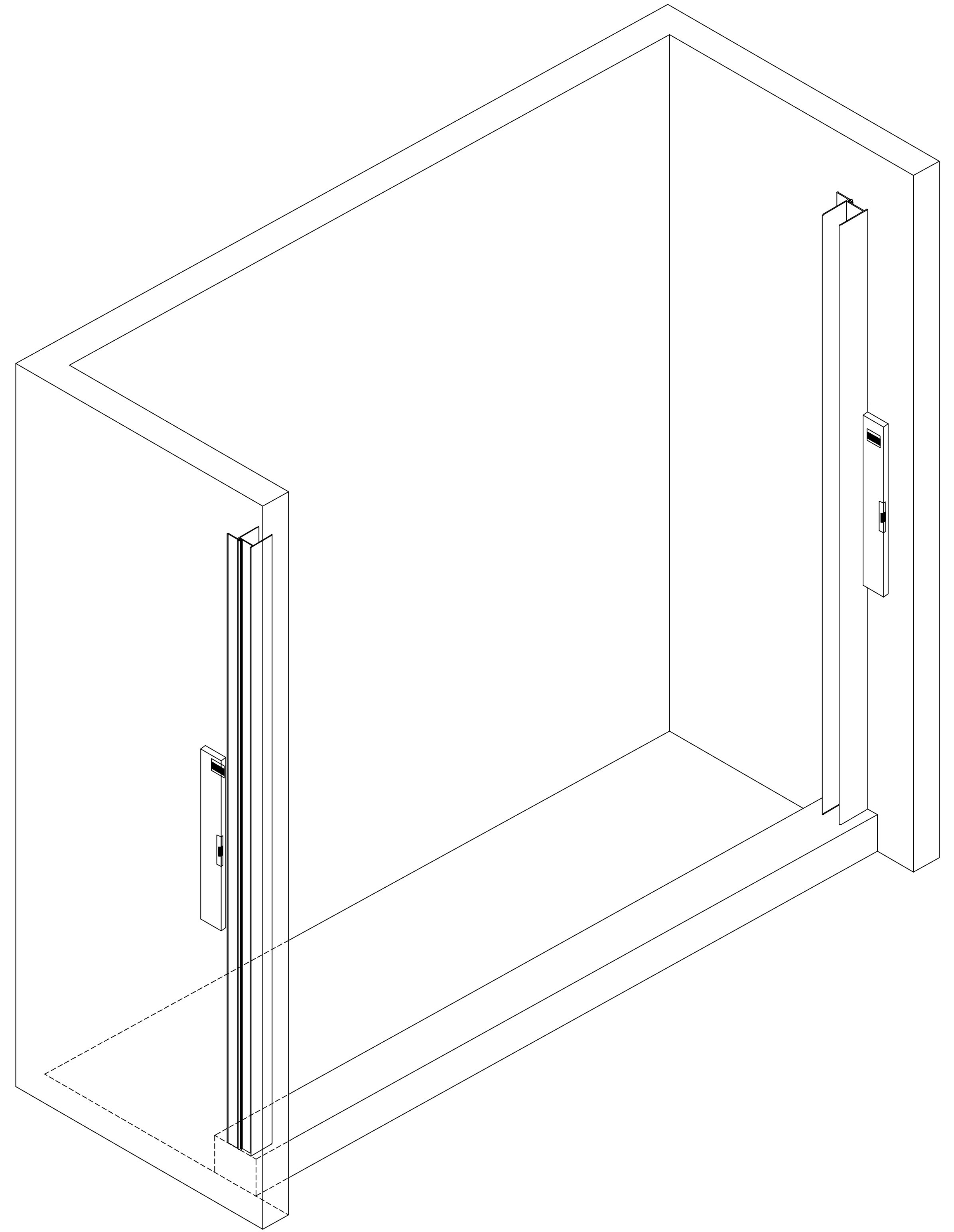
1. Hold wall-mounted bracket(6) against wall, level it vertical with level and mark hold potions with pencil.
2. Take off wall-mounted bracket(6) and drill holes on markings.
3. Hammer wall anchors 6\*28(4) into holes.



## Right Hand Assembly

### STEP 4

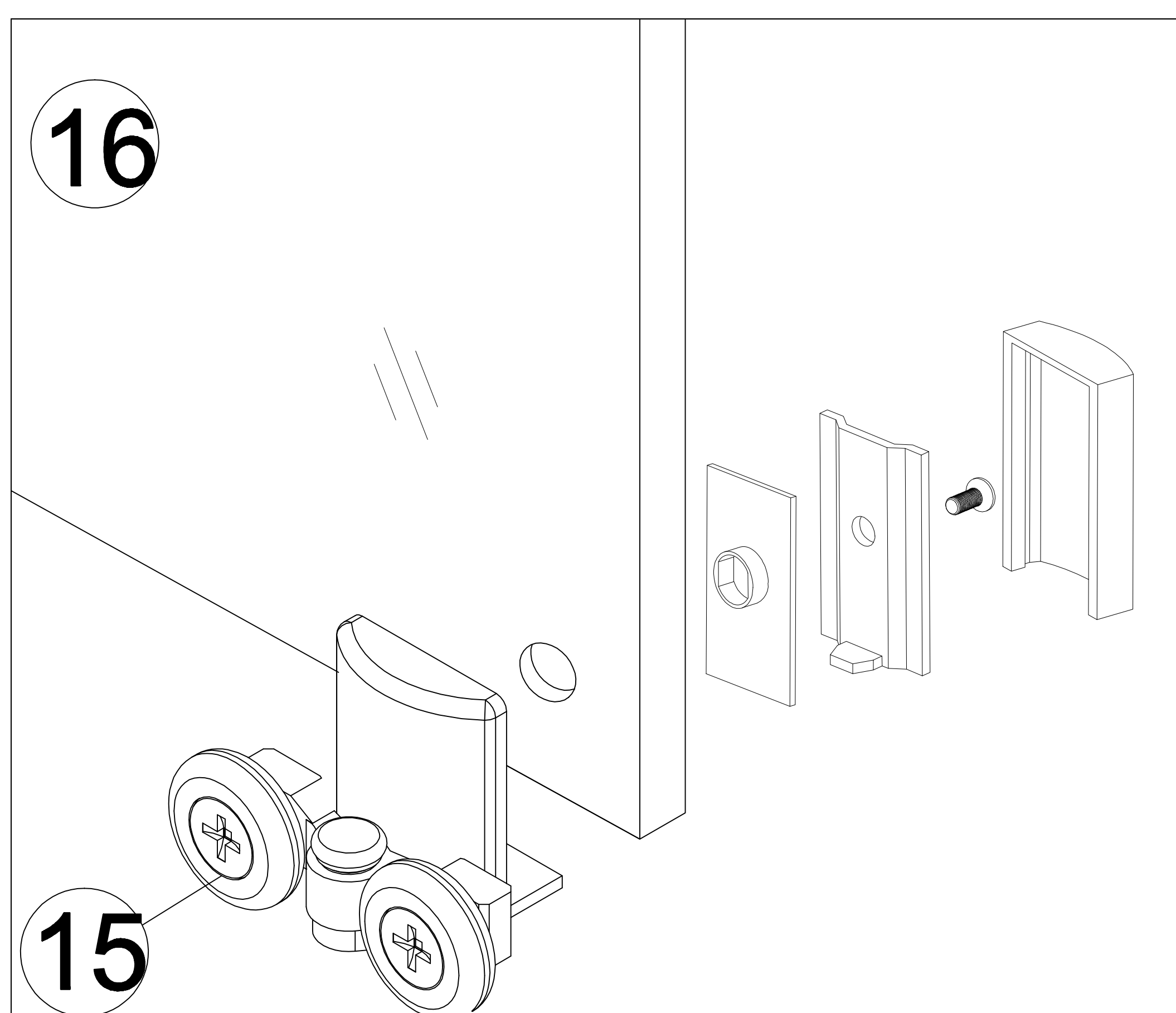
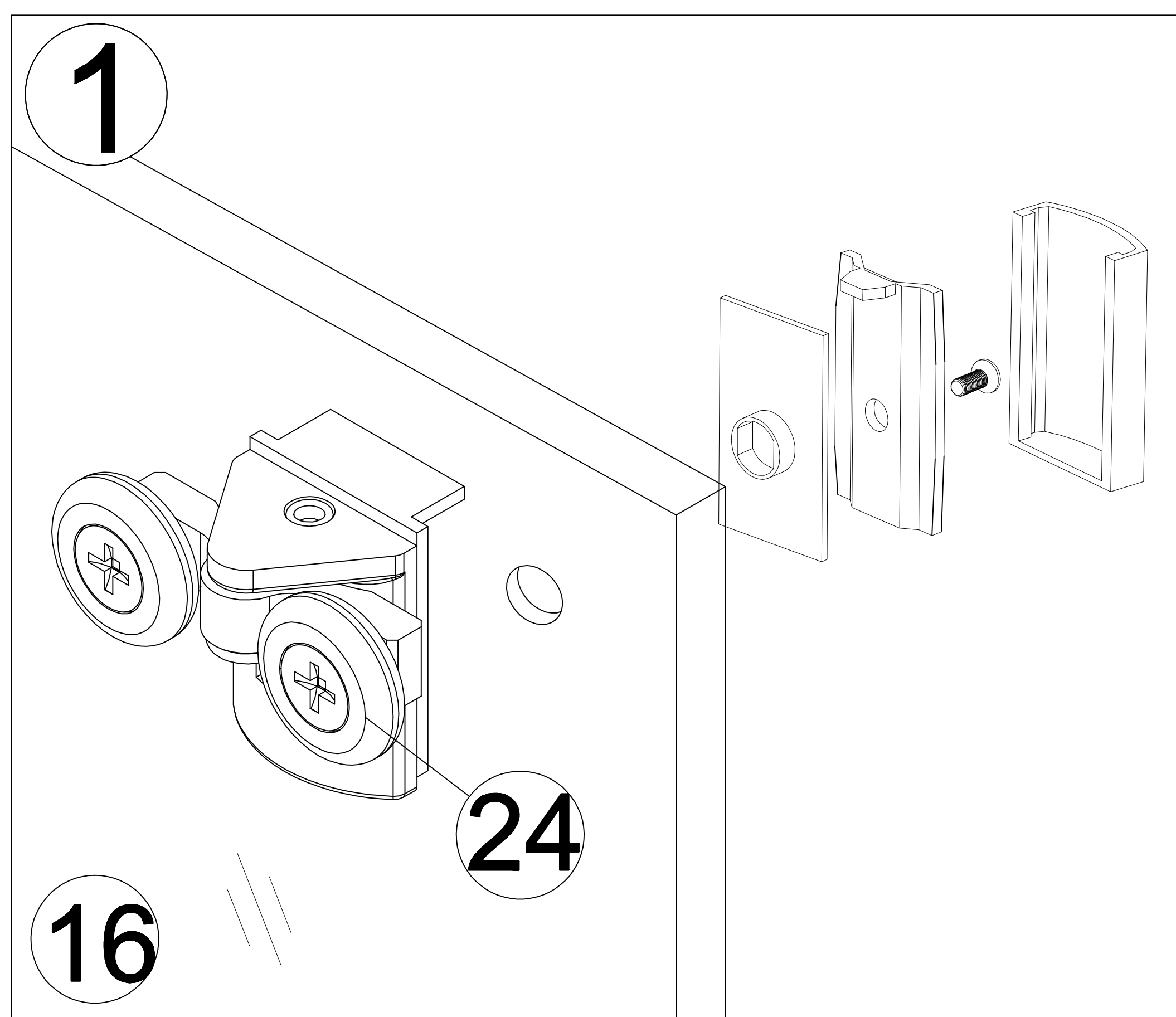
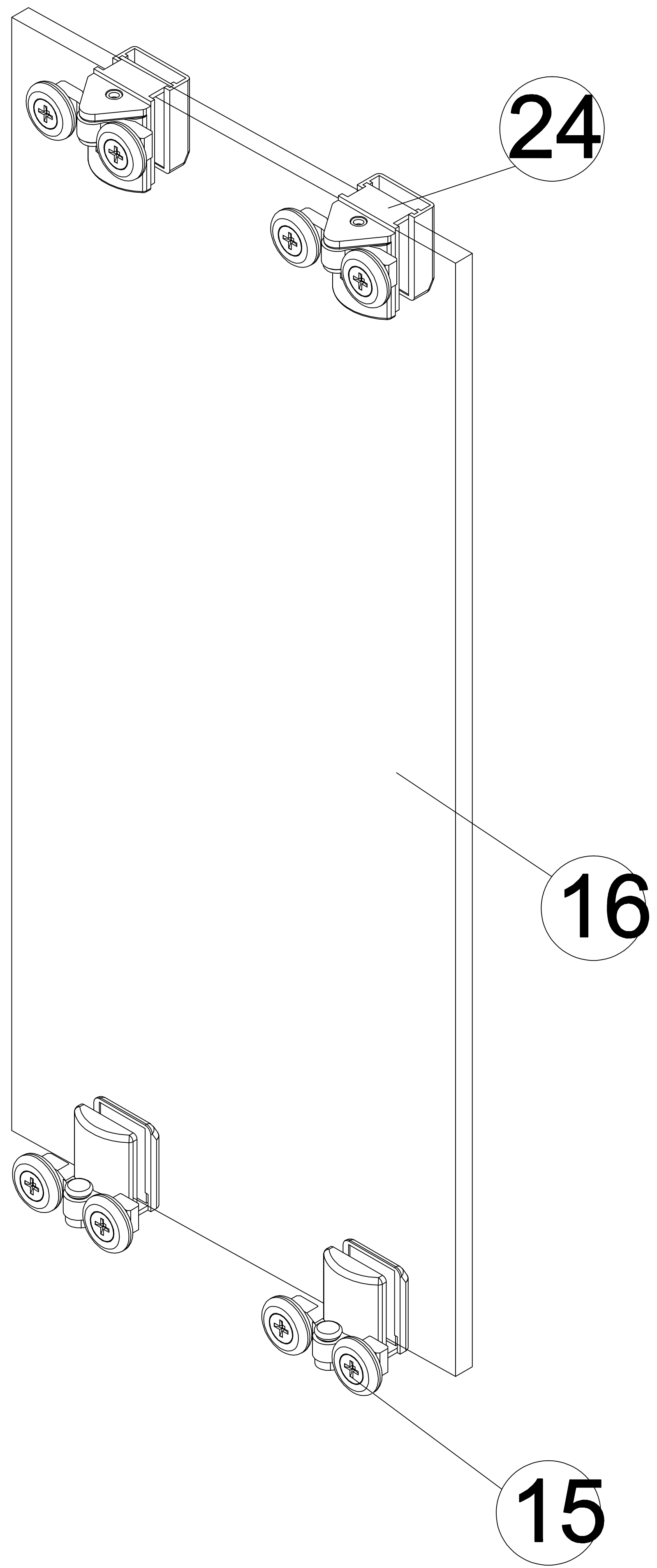
1. Hold wall-mounted bracket(6) against wall, level it vertical with level and mark hold potions with pencil.
2. Take off wall-mounted bracket(6) and drill holes on markings.
3. Hammer wall anchors 6\*28(4) into holes.



# Left Hand Assembly

STEP 5

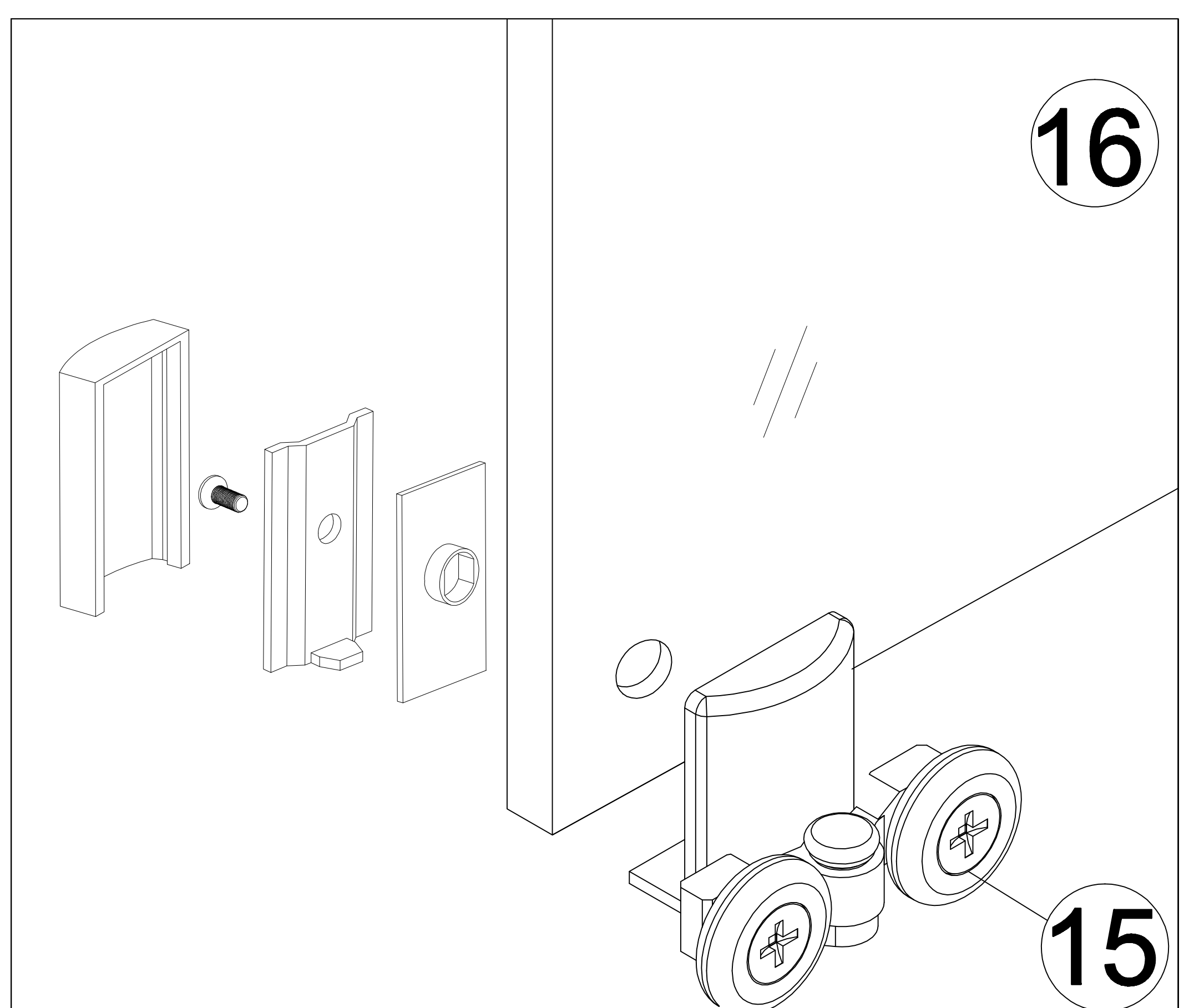
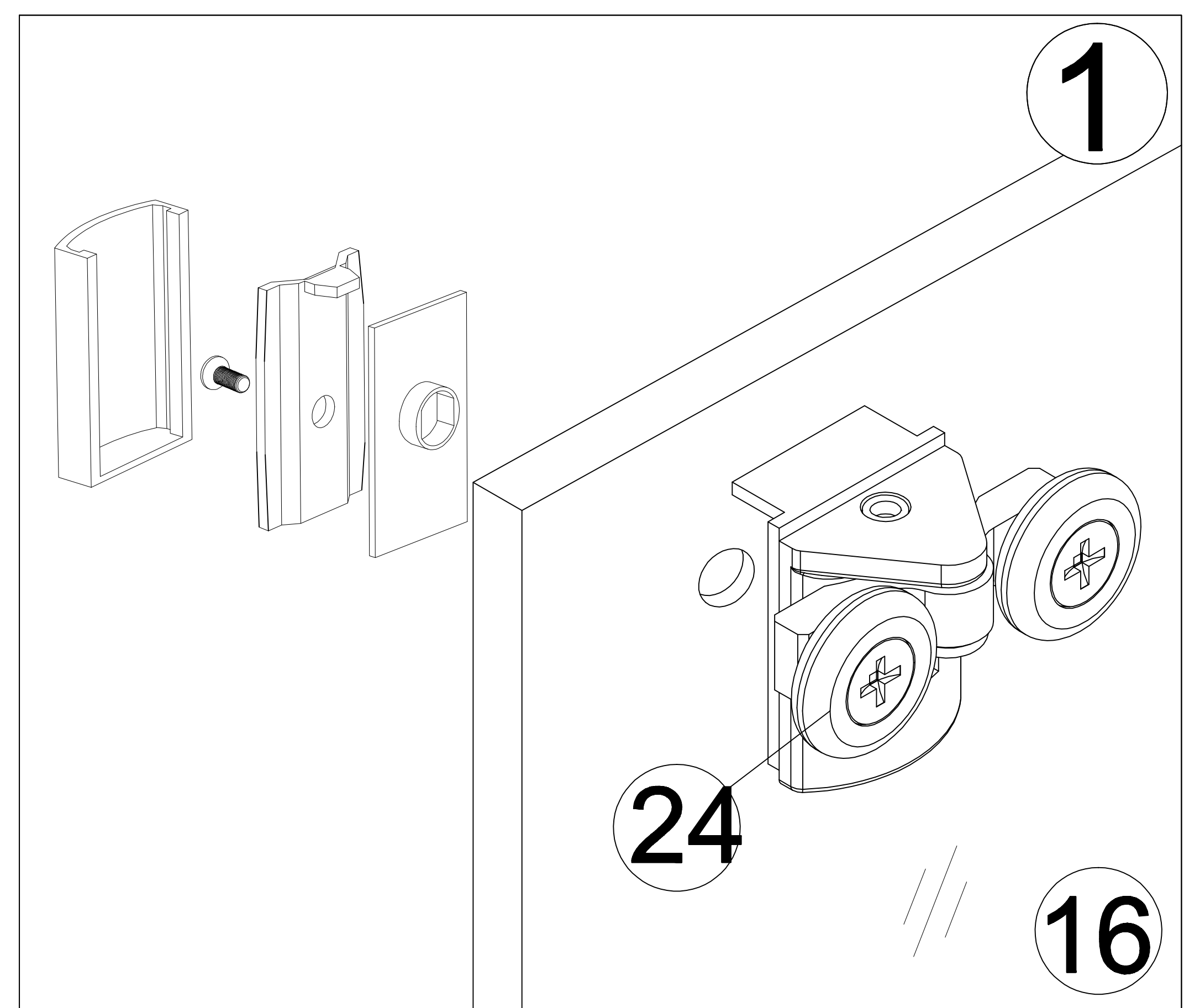
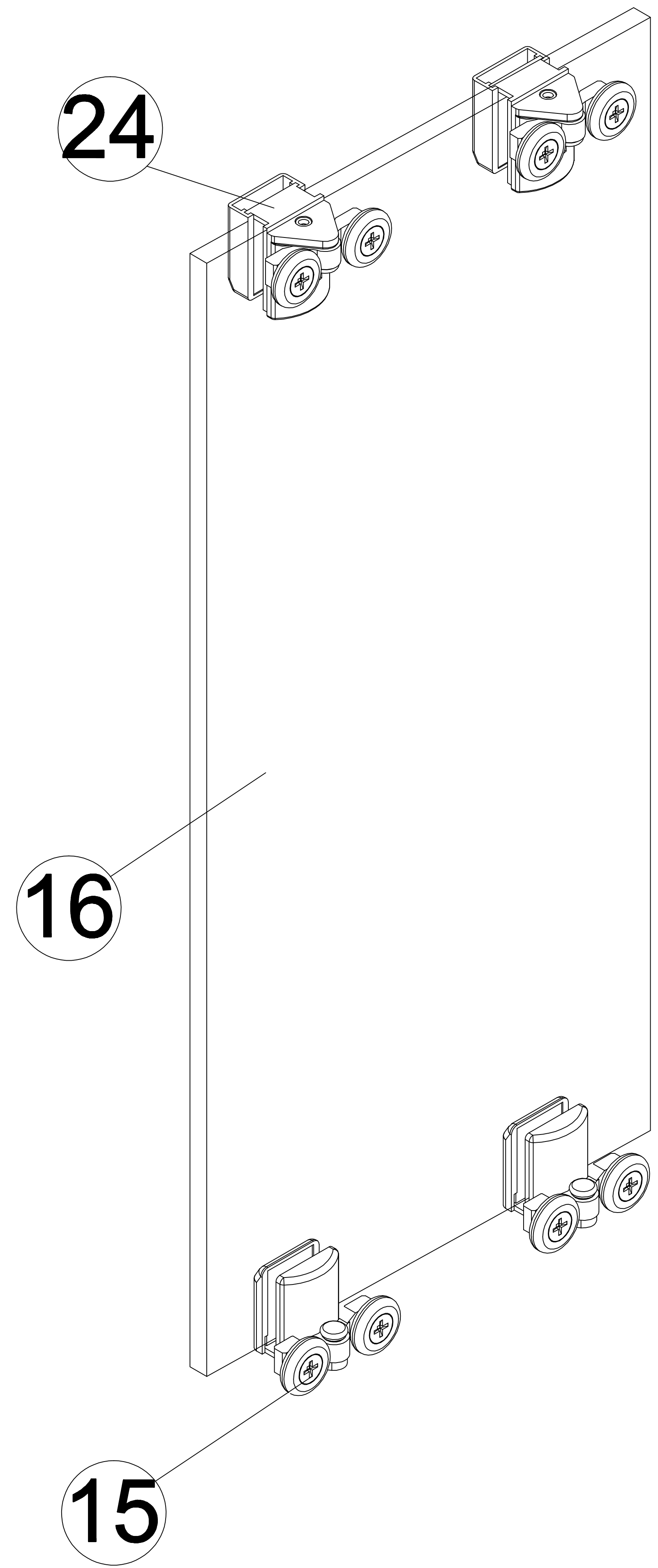
1. Install top roller assembly(24) and bottom roller assembly(15) on the movable door(16).



# Right Hand Assembly

STEP 5

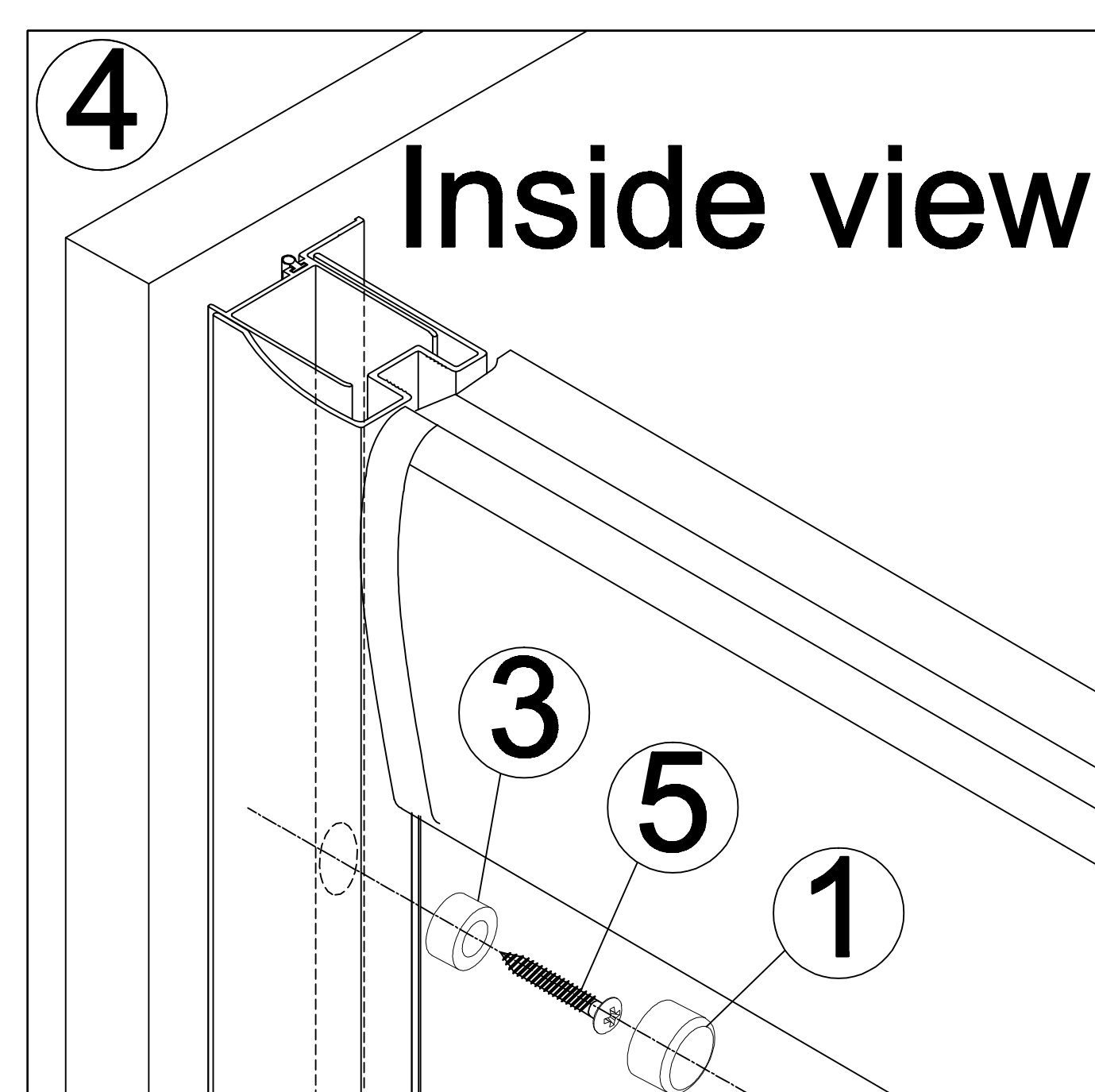
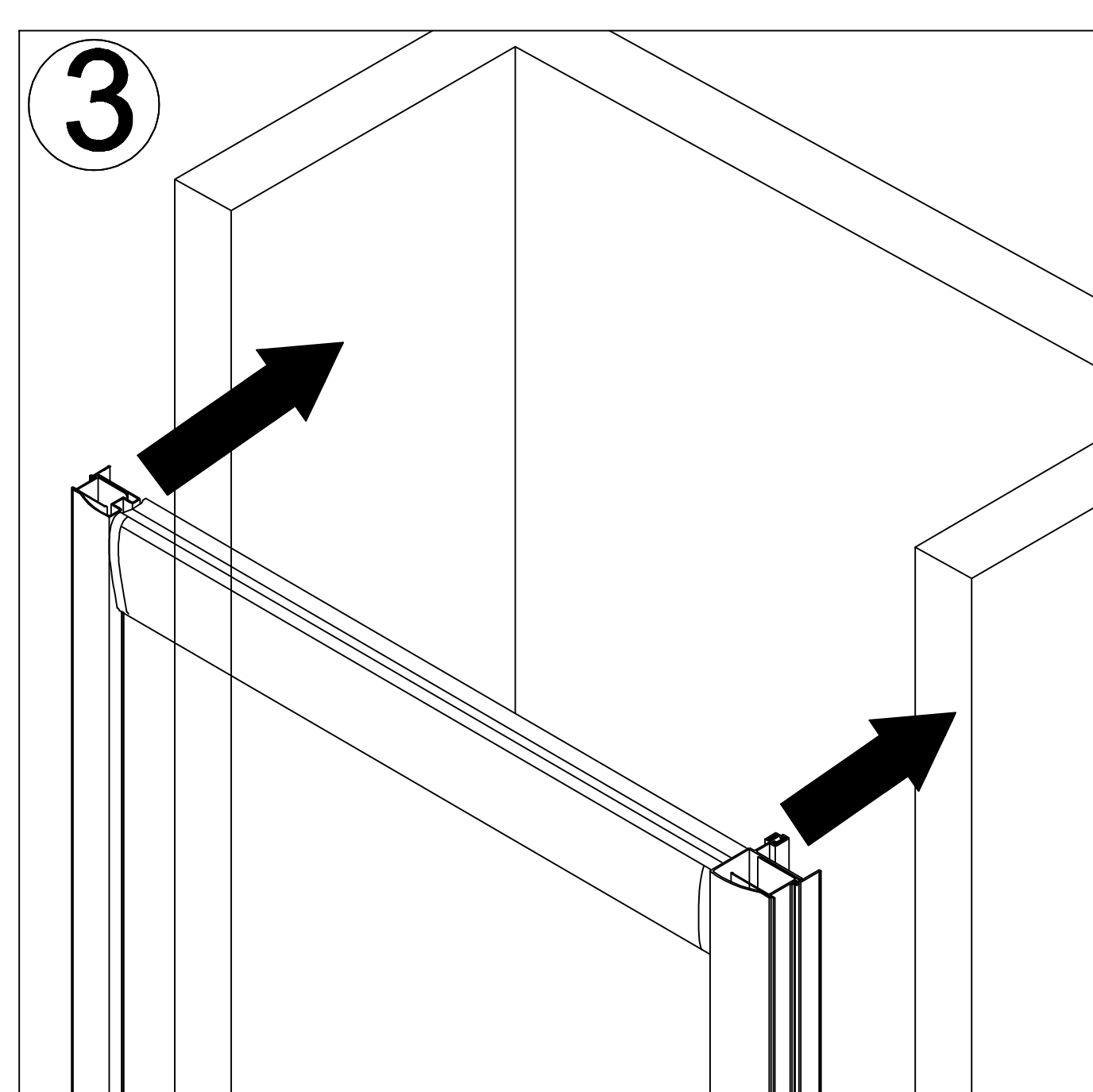
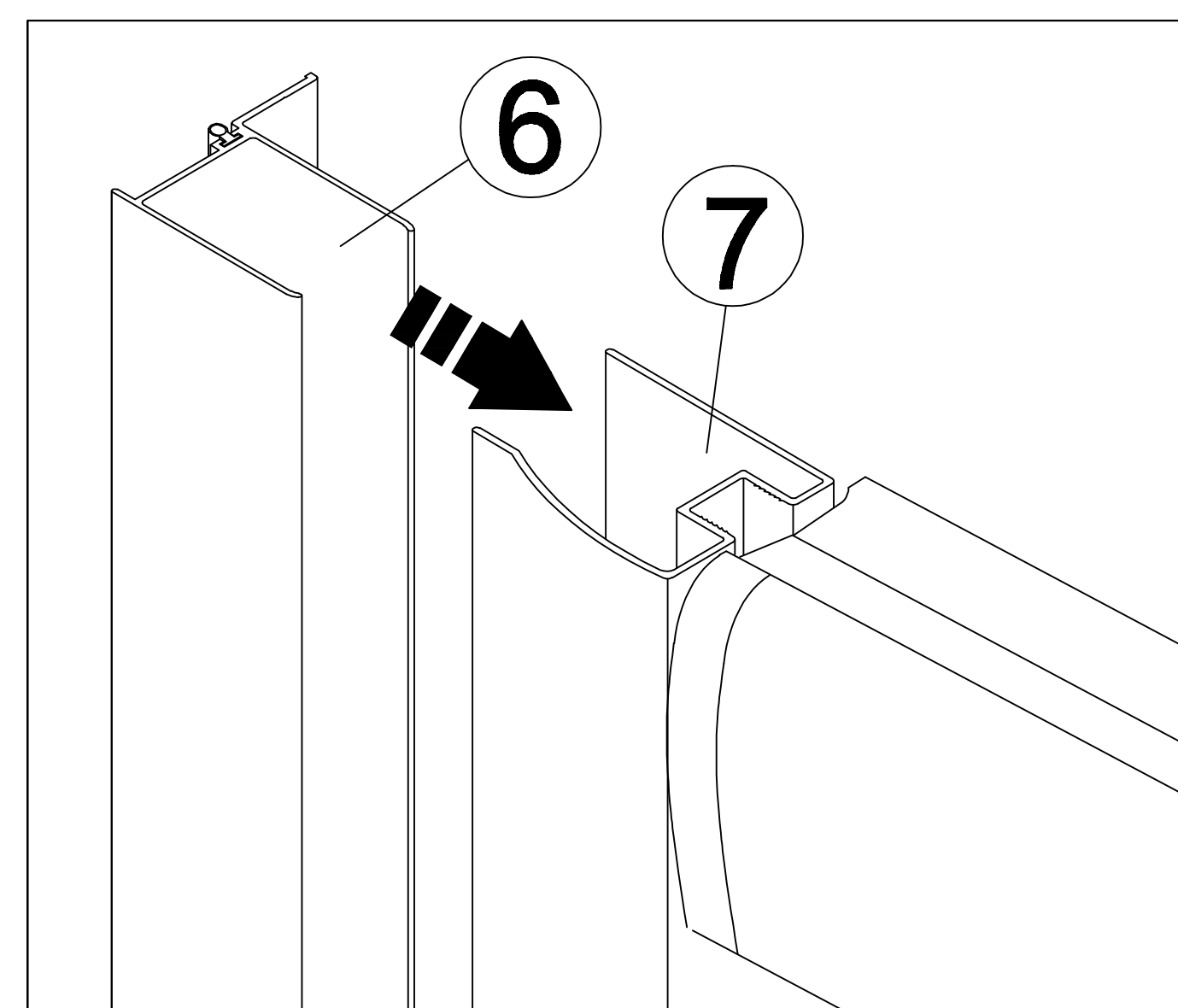
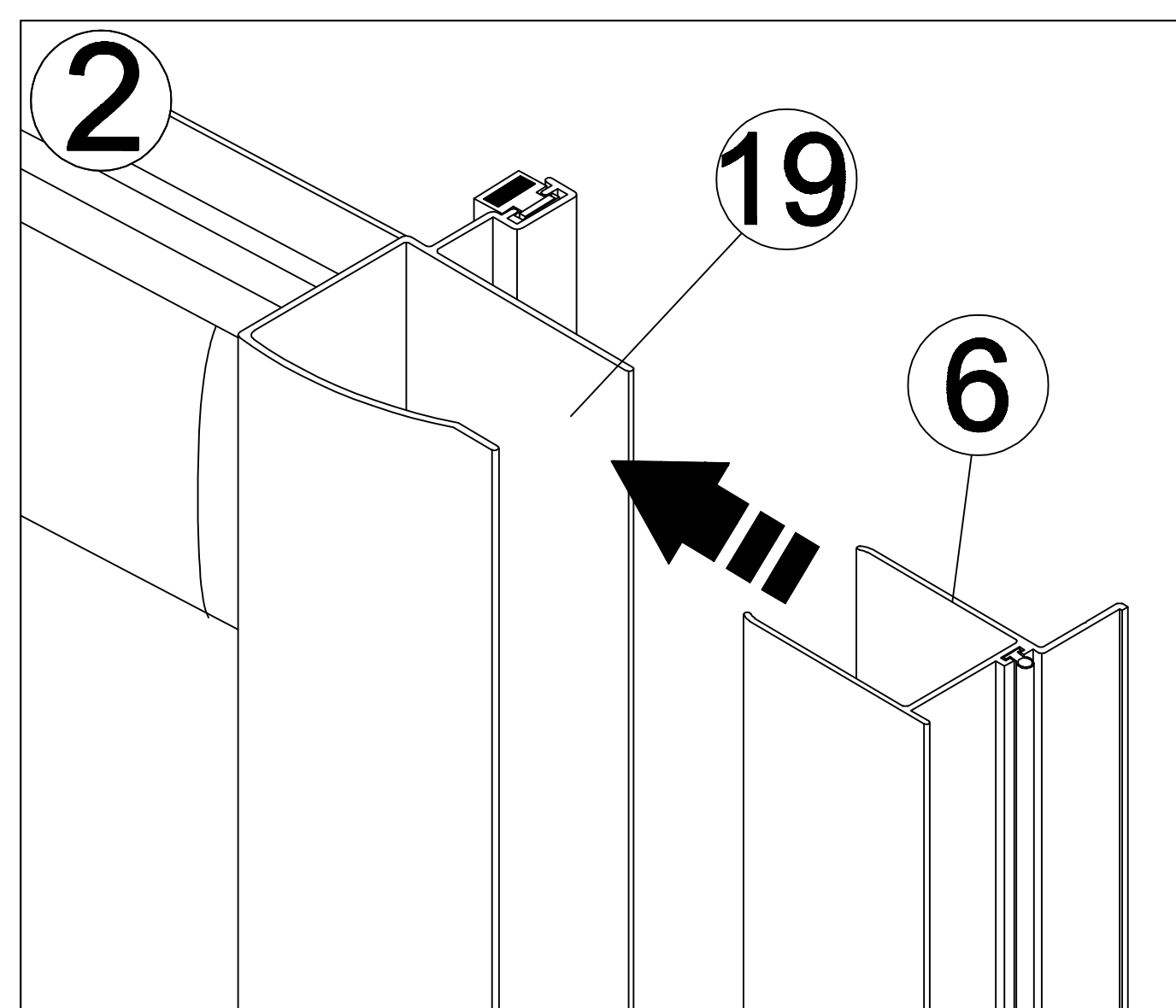
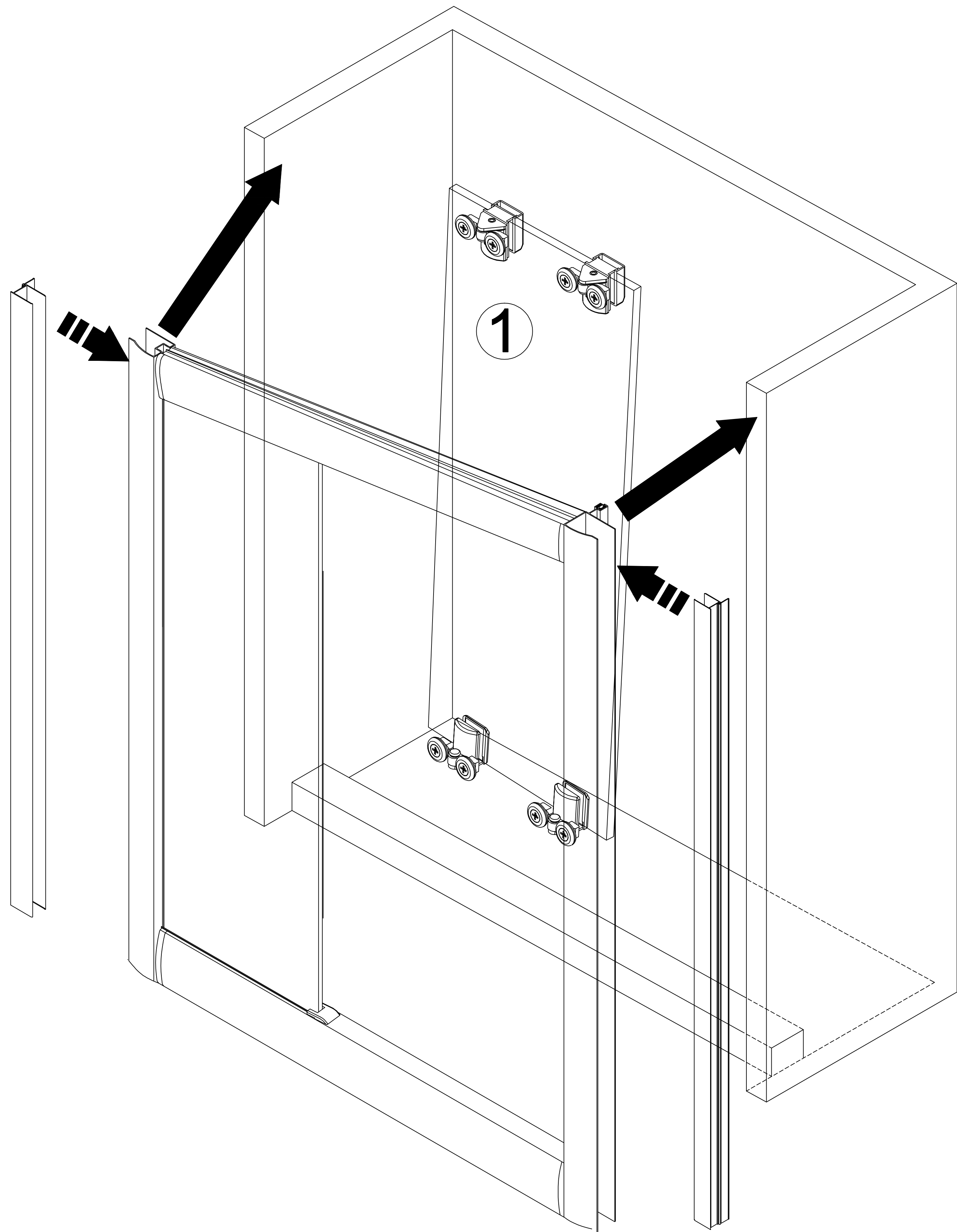
1. Install top roller assembly(24) and bottom roller assembly(15) on the movable door(16).



## Left Hand Assembly

### STEP 6

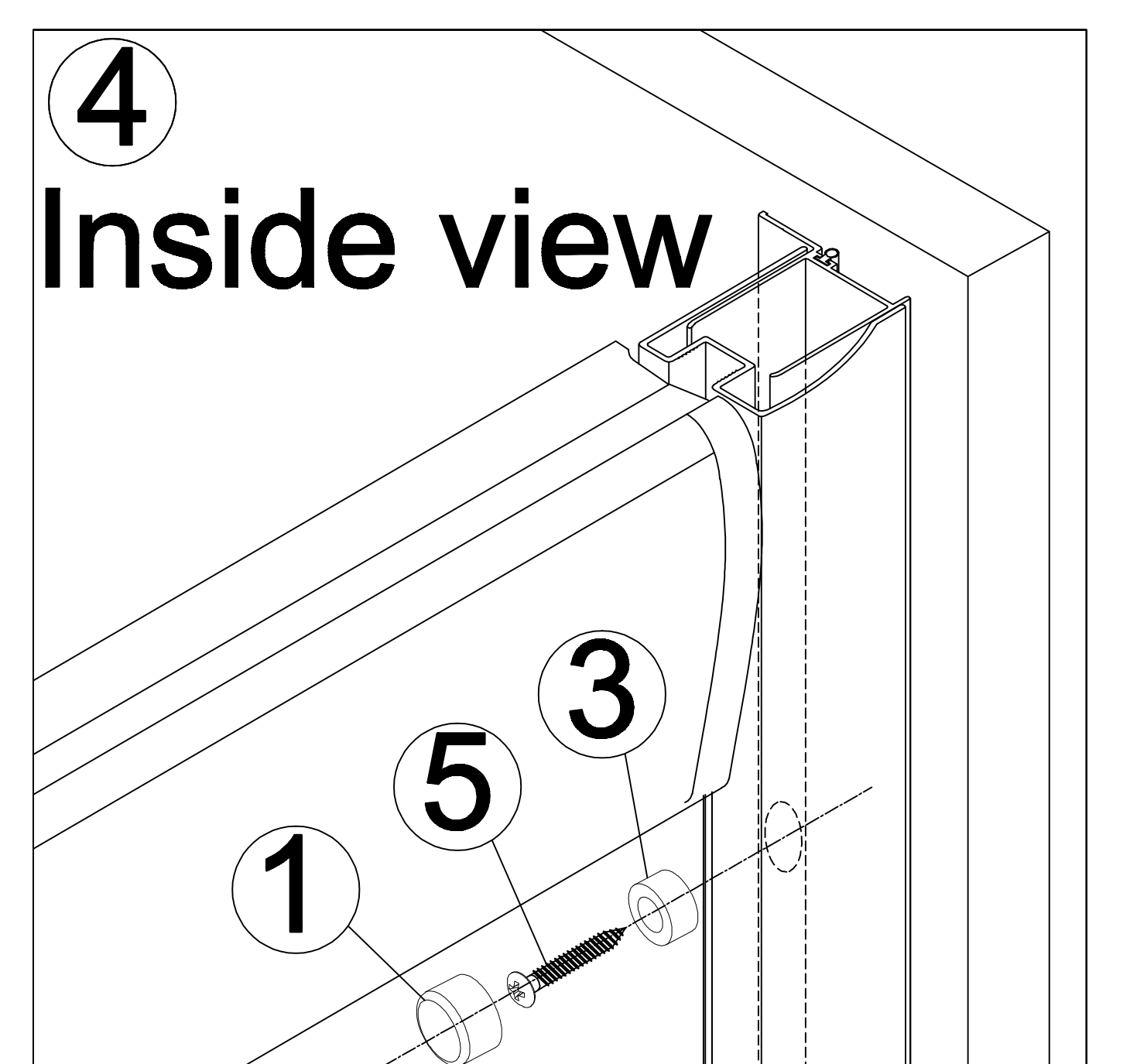
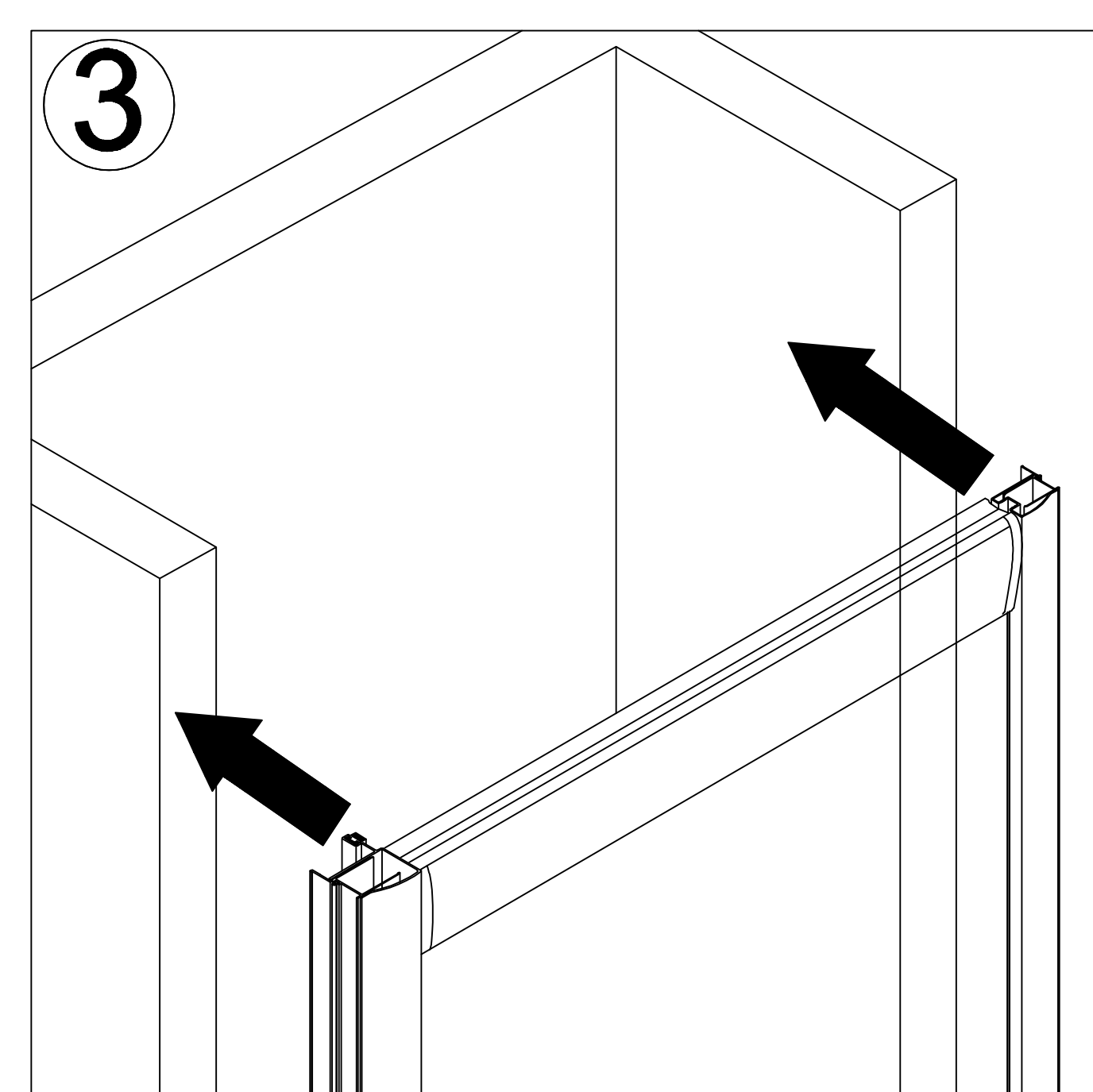
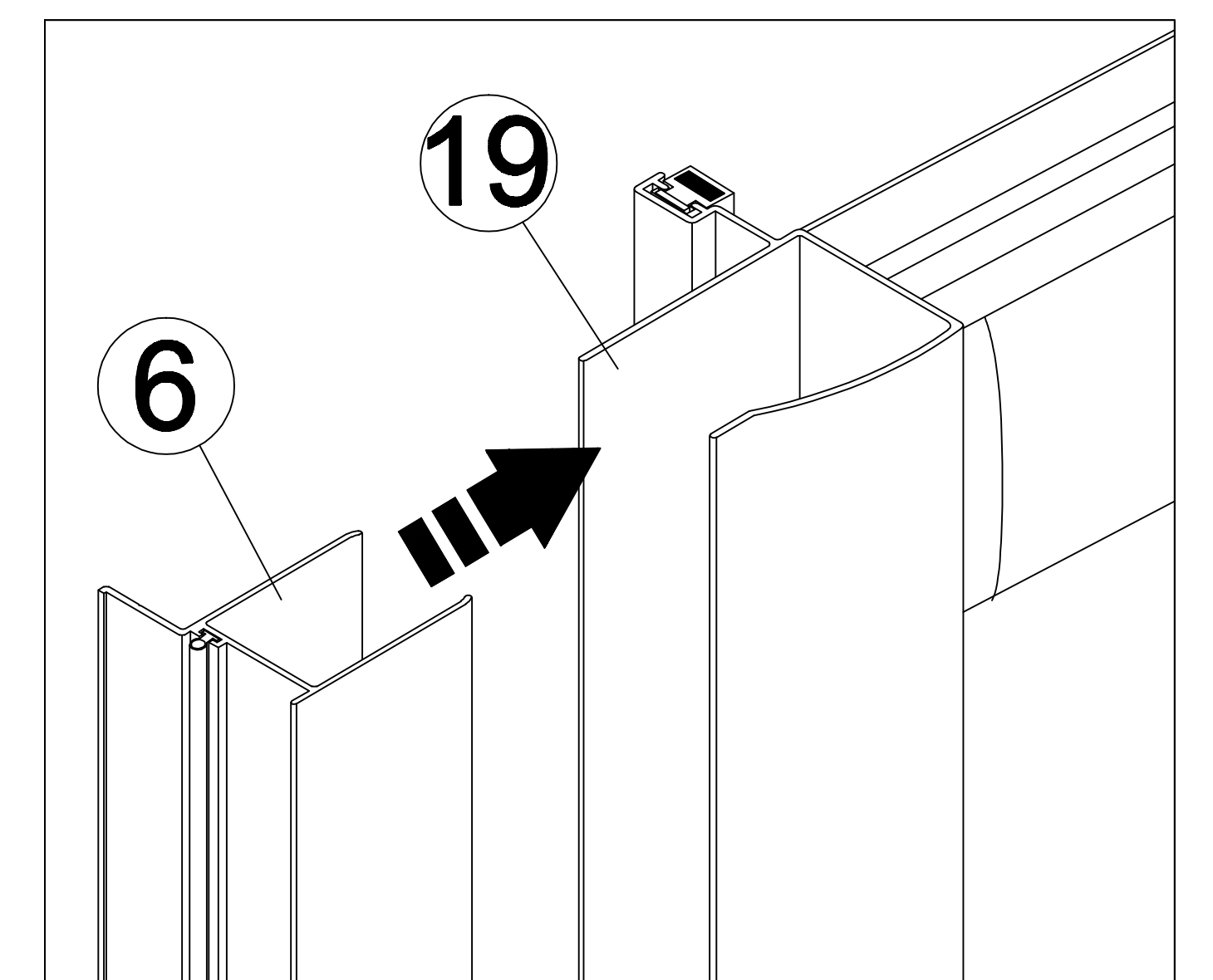
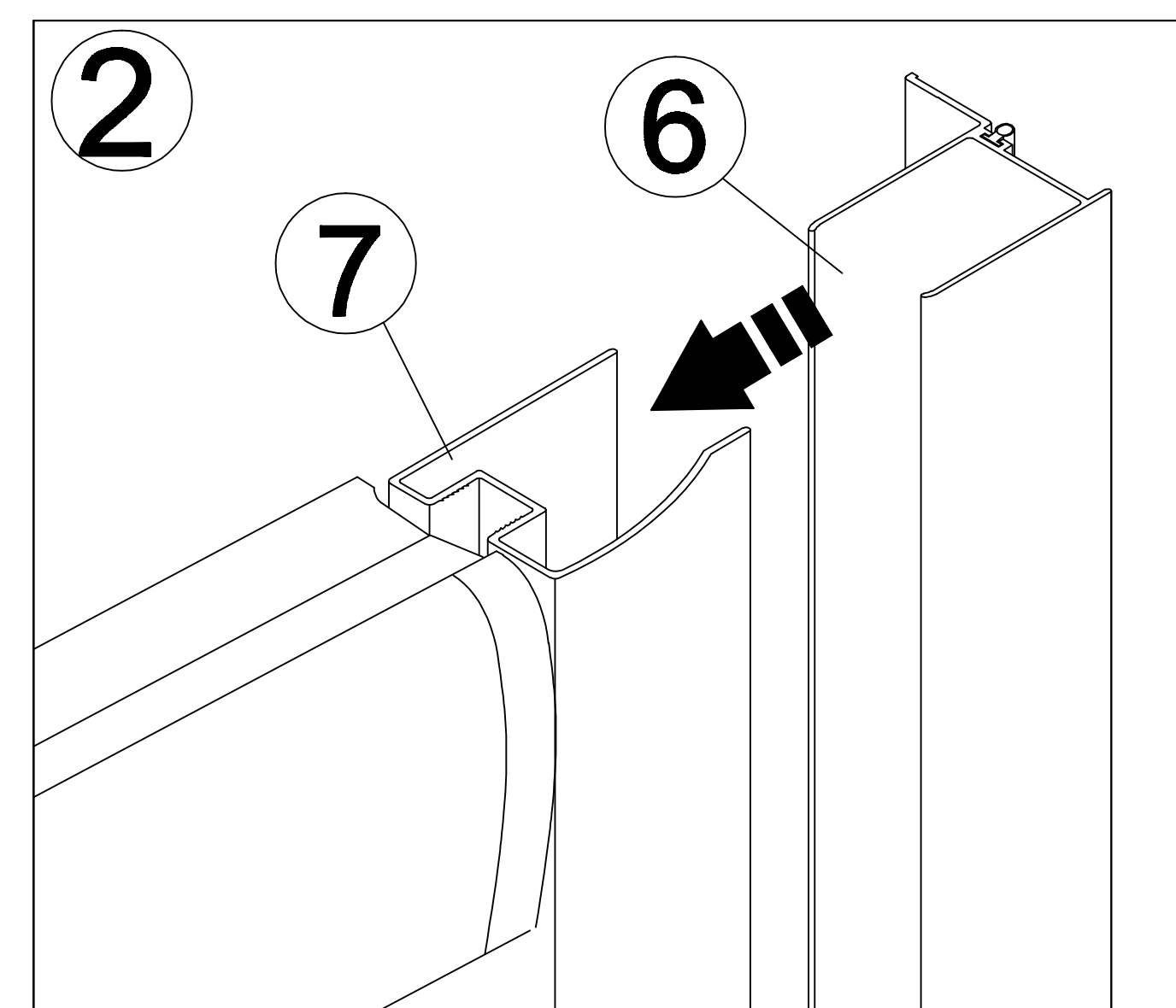
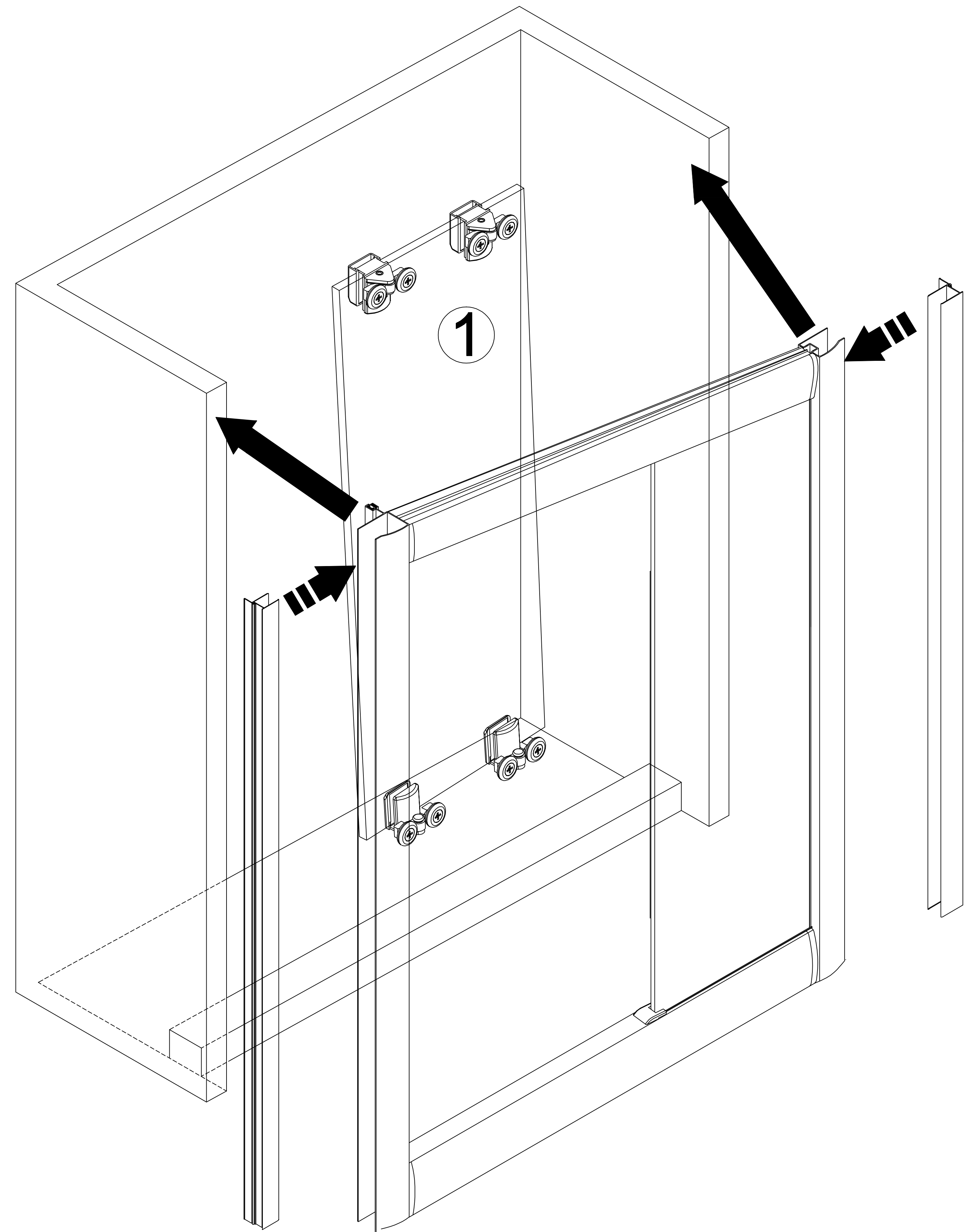
1. Move the Movable door(16) inside of shower area.
2. Insert Wall-mounted bracket(6) into wall bracket (7) and Wide wall brack(19).
3. Put the assembled shower door in the middle of the two walls.
4. Secure Wall-mounted brakct(6) use Self-tapping screw 4\*30(5).



## Right Hand Assembly

### STEP 6

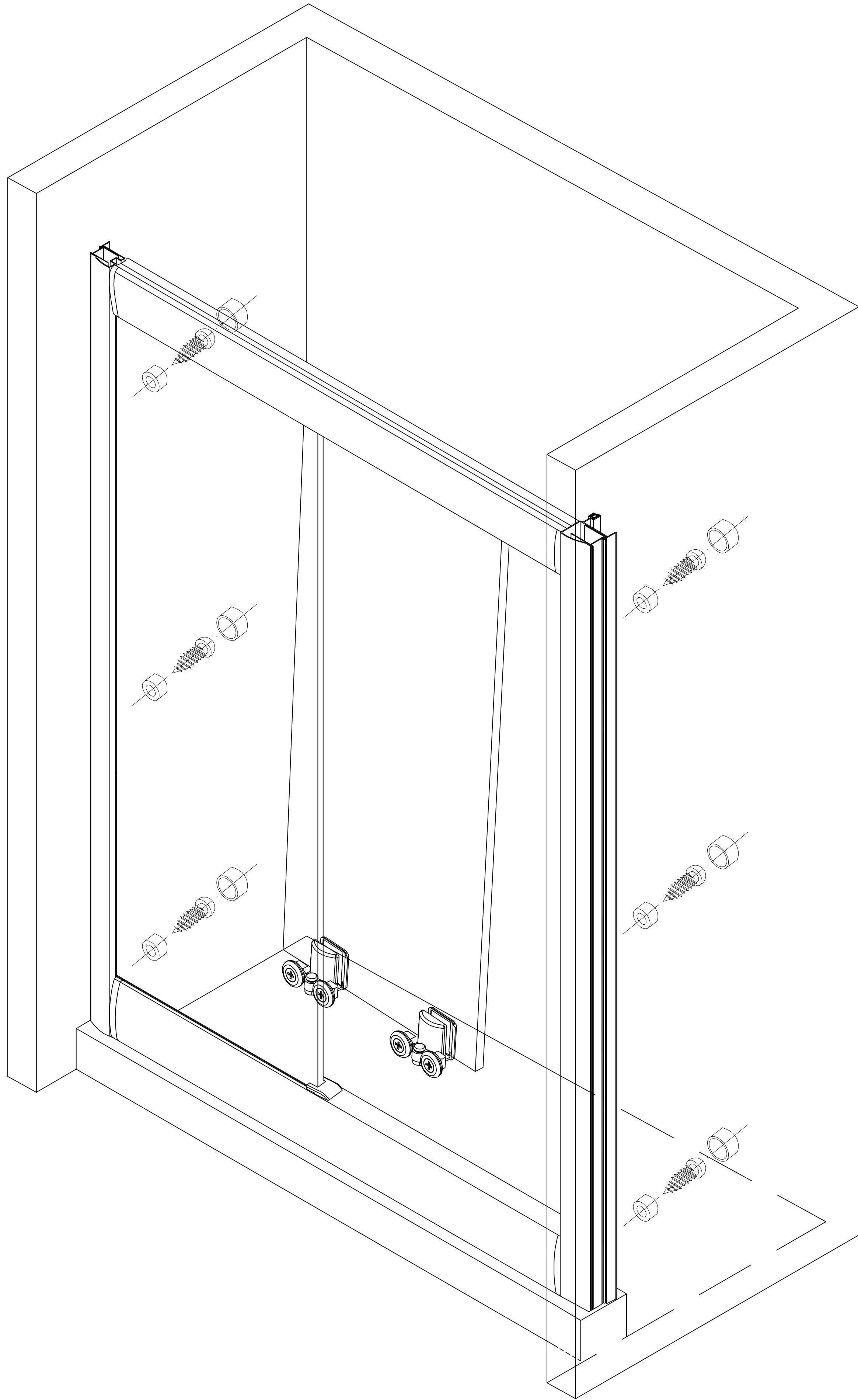
1. Move the Movable door(16) inside of shower area.
2. Insert Wall-mounted bracket(6) into wall bracket (7) and Wide wall brack(19).
3. Put the assembled shower door in the middle of the two walls.
4. Secure Wall-mounted brakct(6) use Self-tapping screw 4\*30(5).



# Left Hand Assembly

## STEP 7

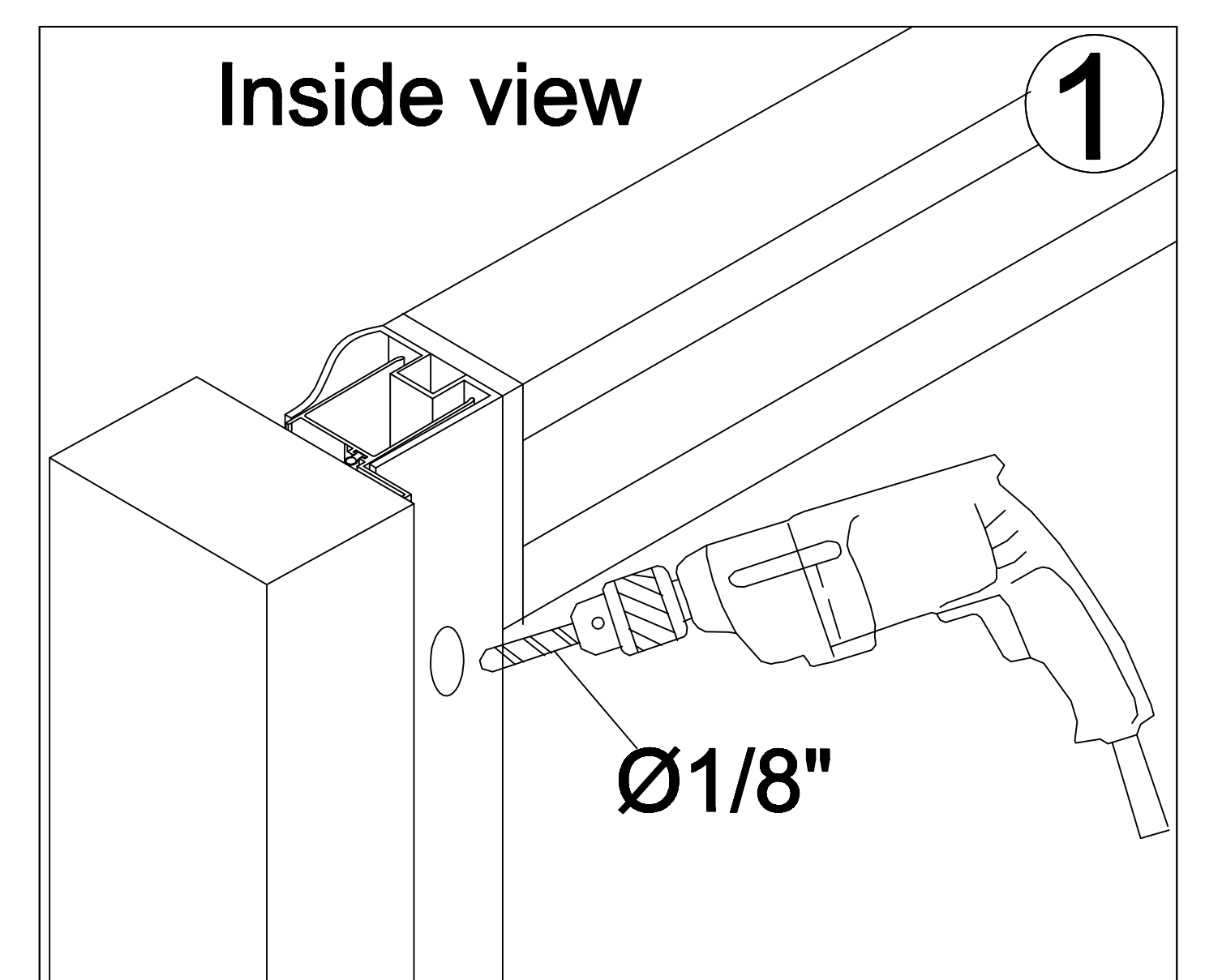
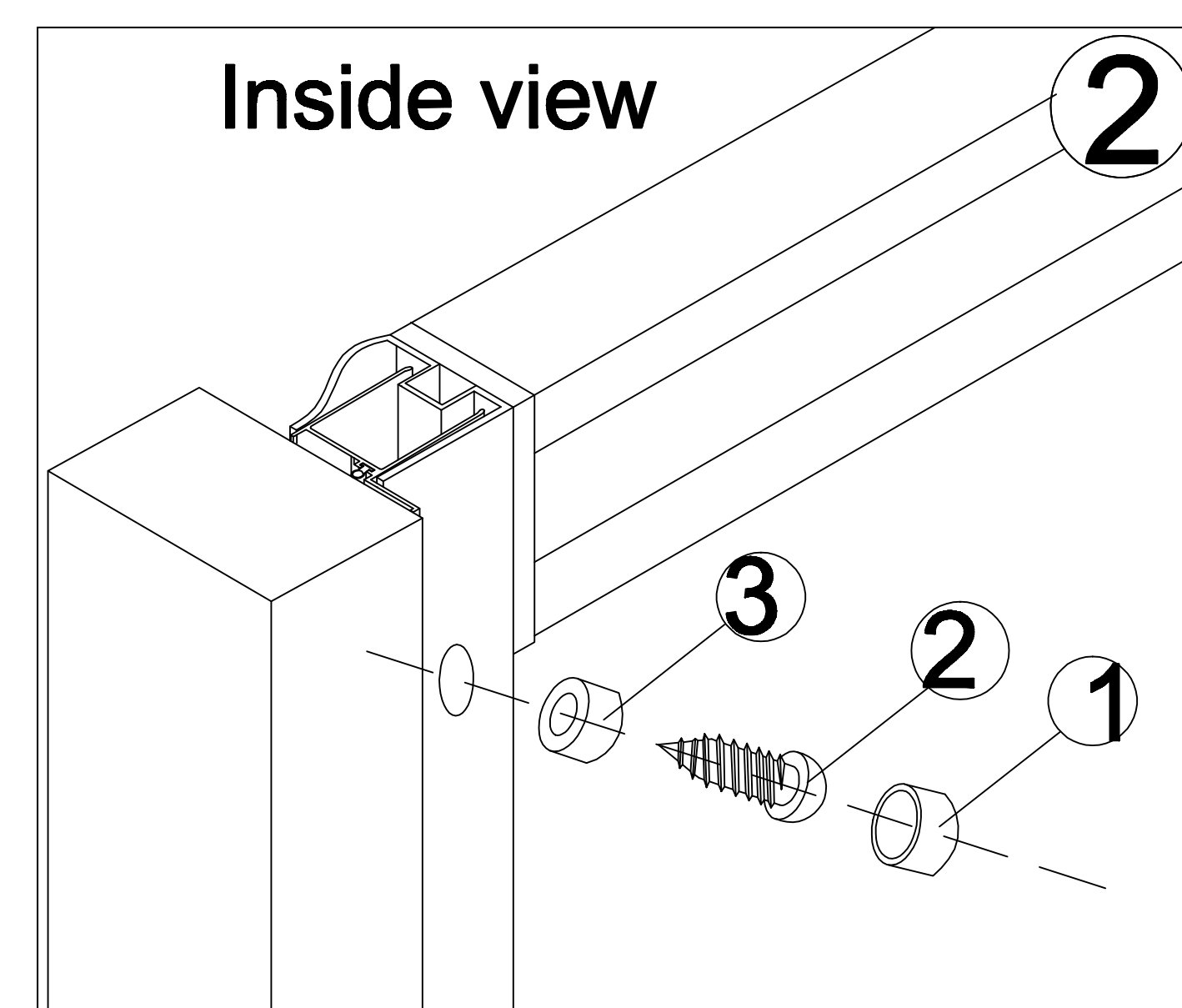
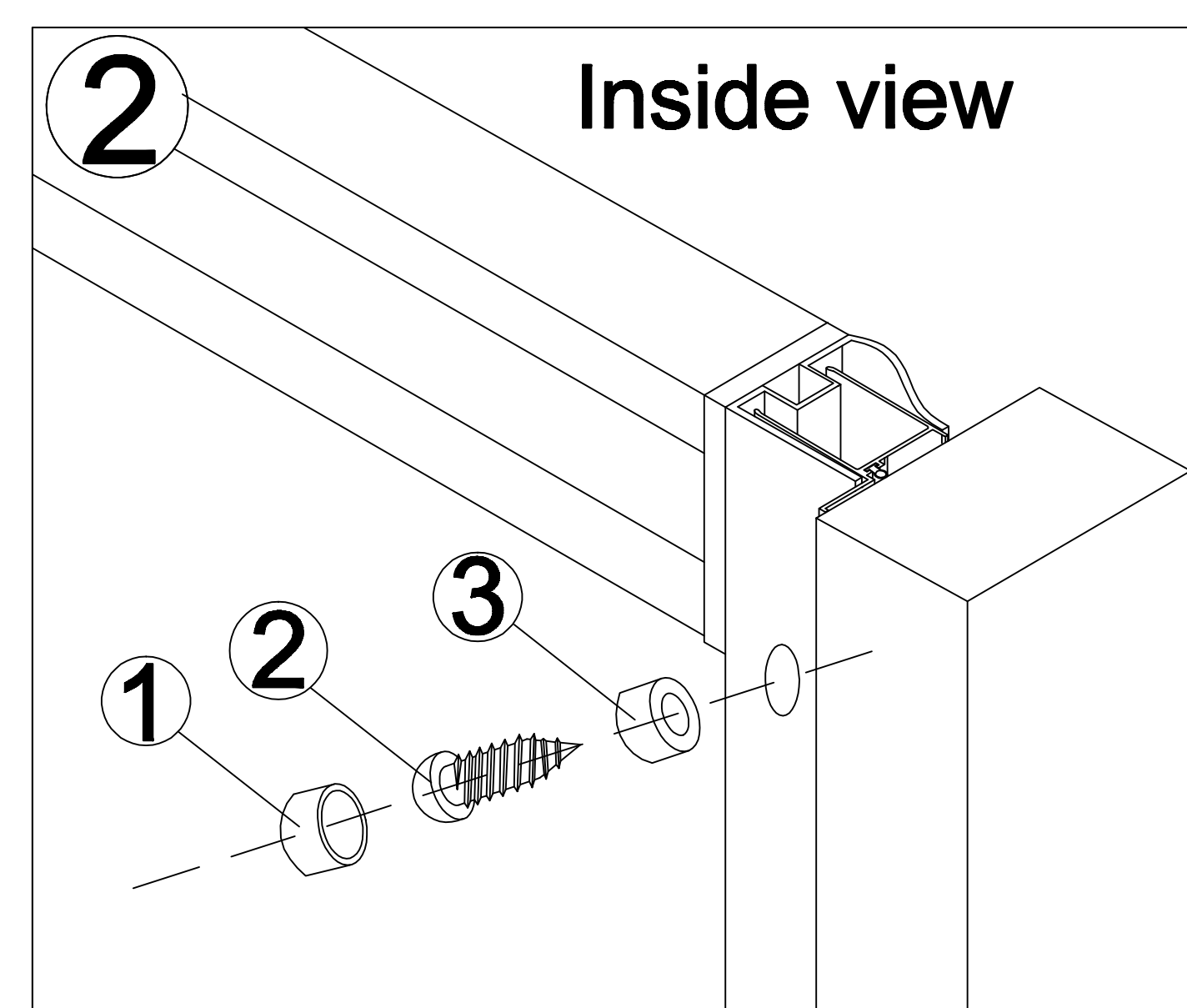
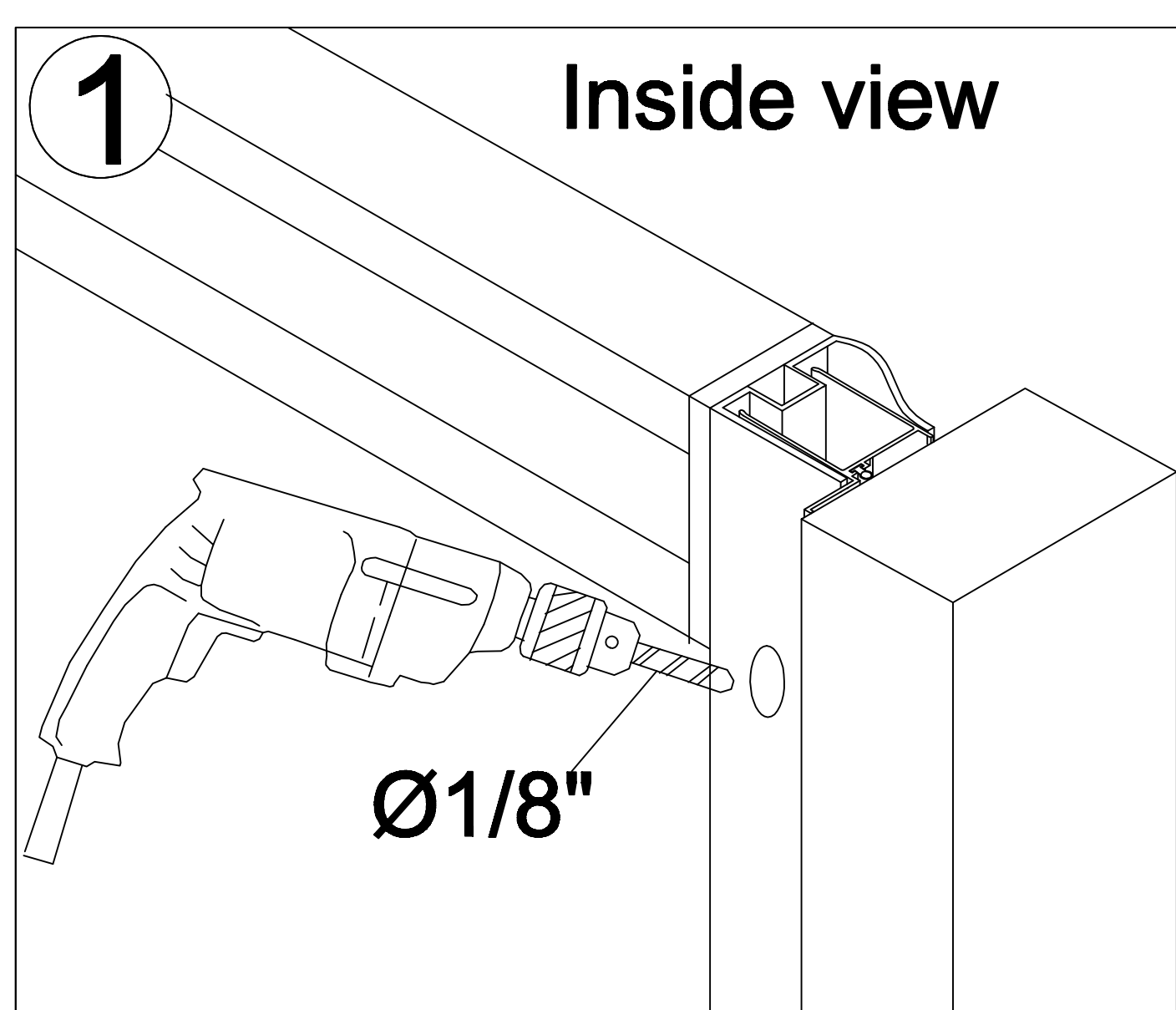
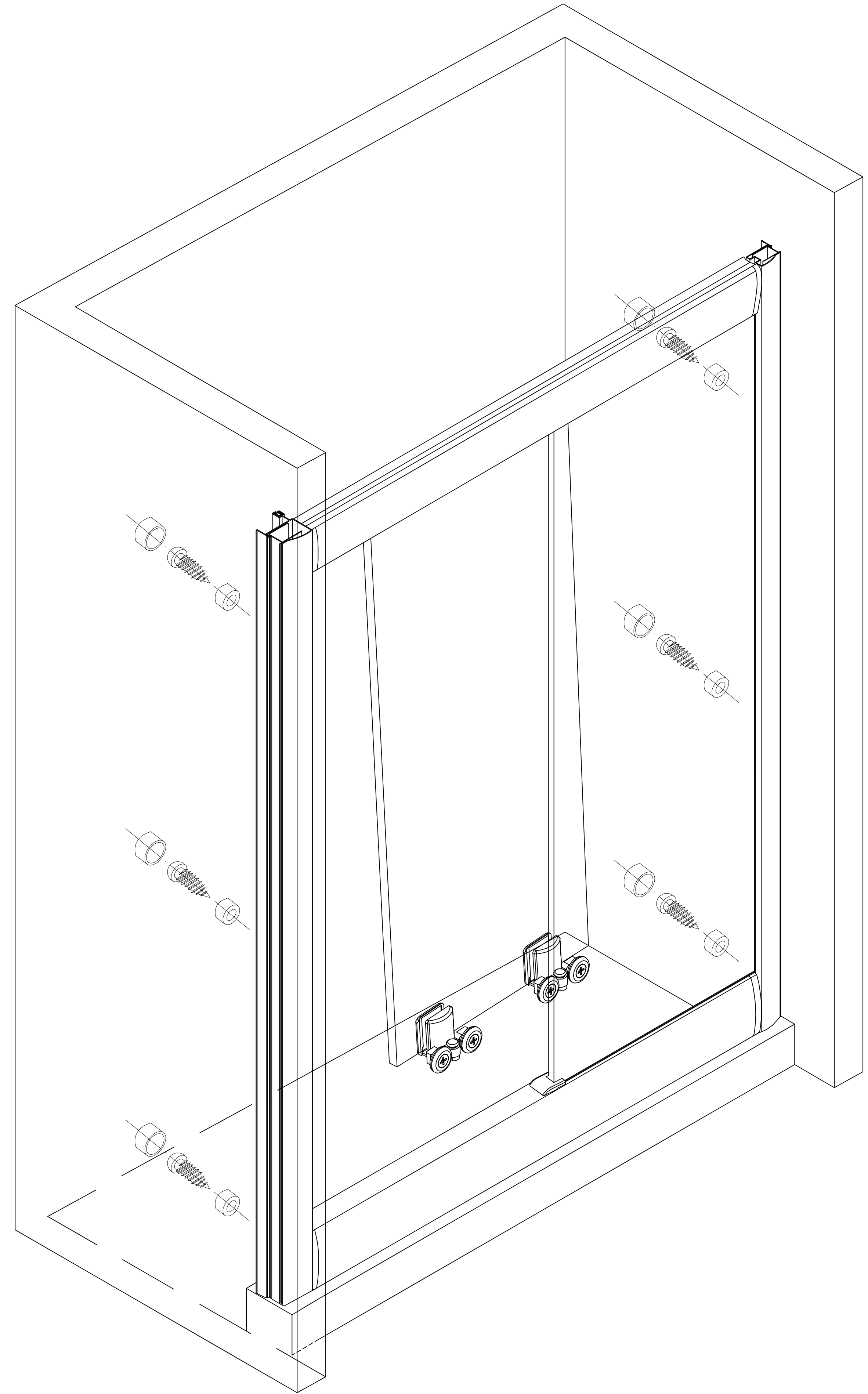
1. Drill the hole one Wall brakct(7)&(19) use  $\text{Ø}1/8''$  drill bit.
2. Secure wall-mounted bracket(6) and wall bracket(7) &(19) together with self-tapping screw 4\*12(2) and washer(3), then cover with screw caps(1).



# Right Hand Assembly

## STEP 7

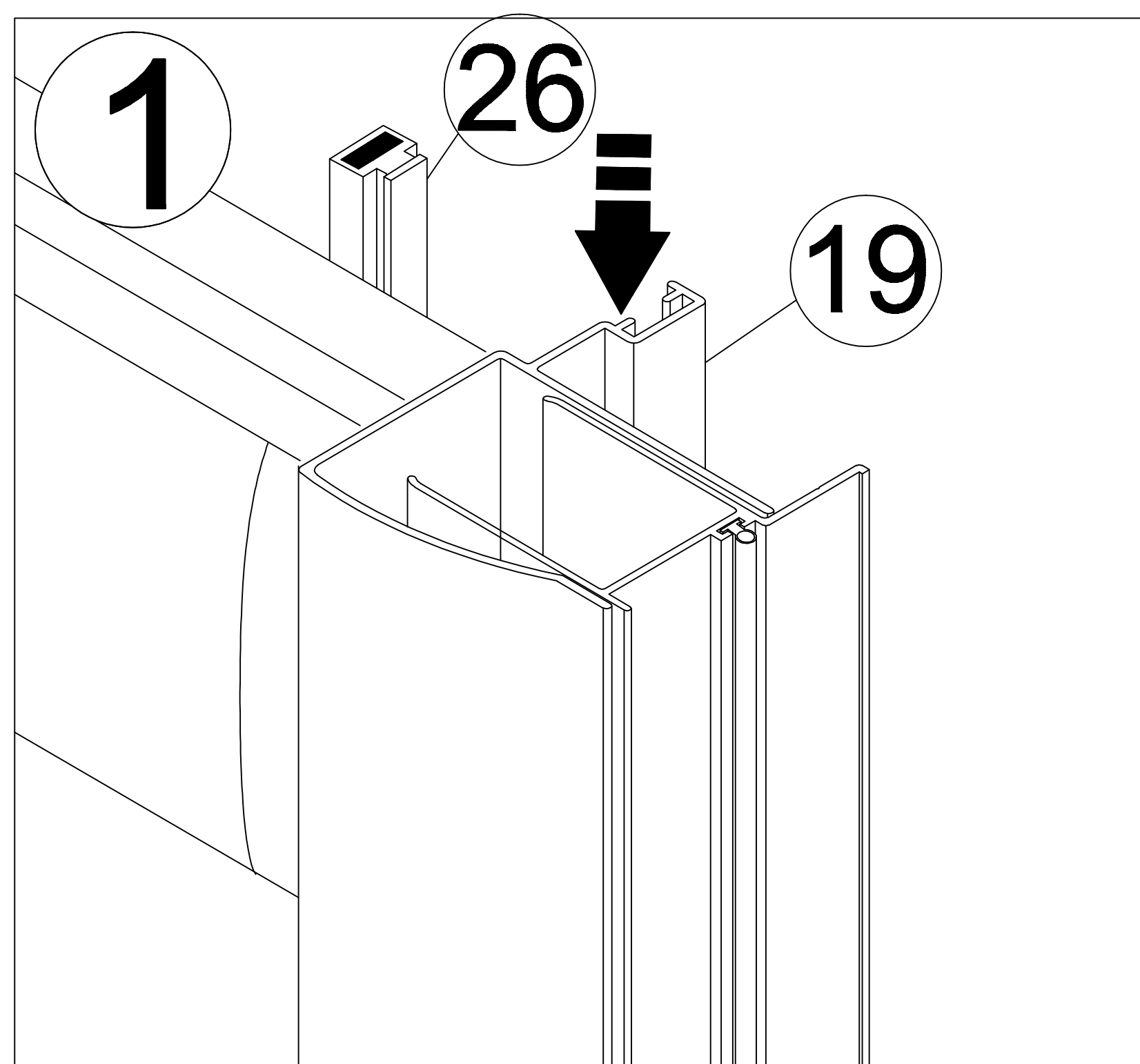
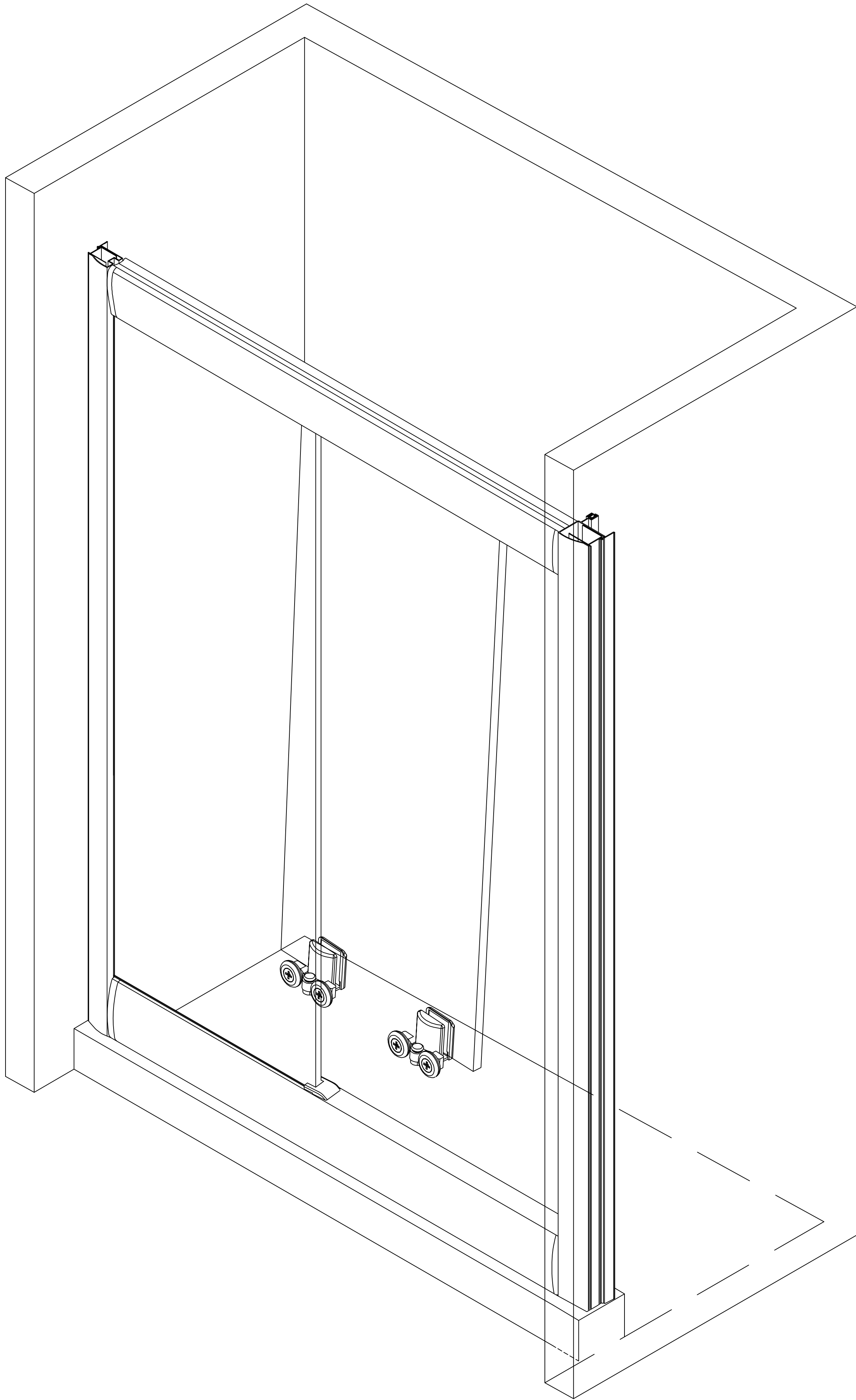
1. Drill the hole one Wall brakct(7)&(19) use  $\text{Ø}1/8''$  drill bit.
2. Secure wall-mounted bracket(6) and wall bracket(7) &(19) together with self-tapping screw 4\*12(2) and washer(3), then cover with screw caps(1).



## Left Hand Assembly

STEP 8

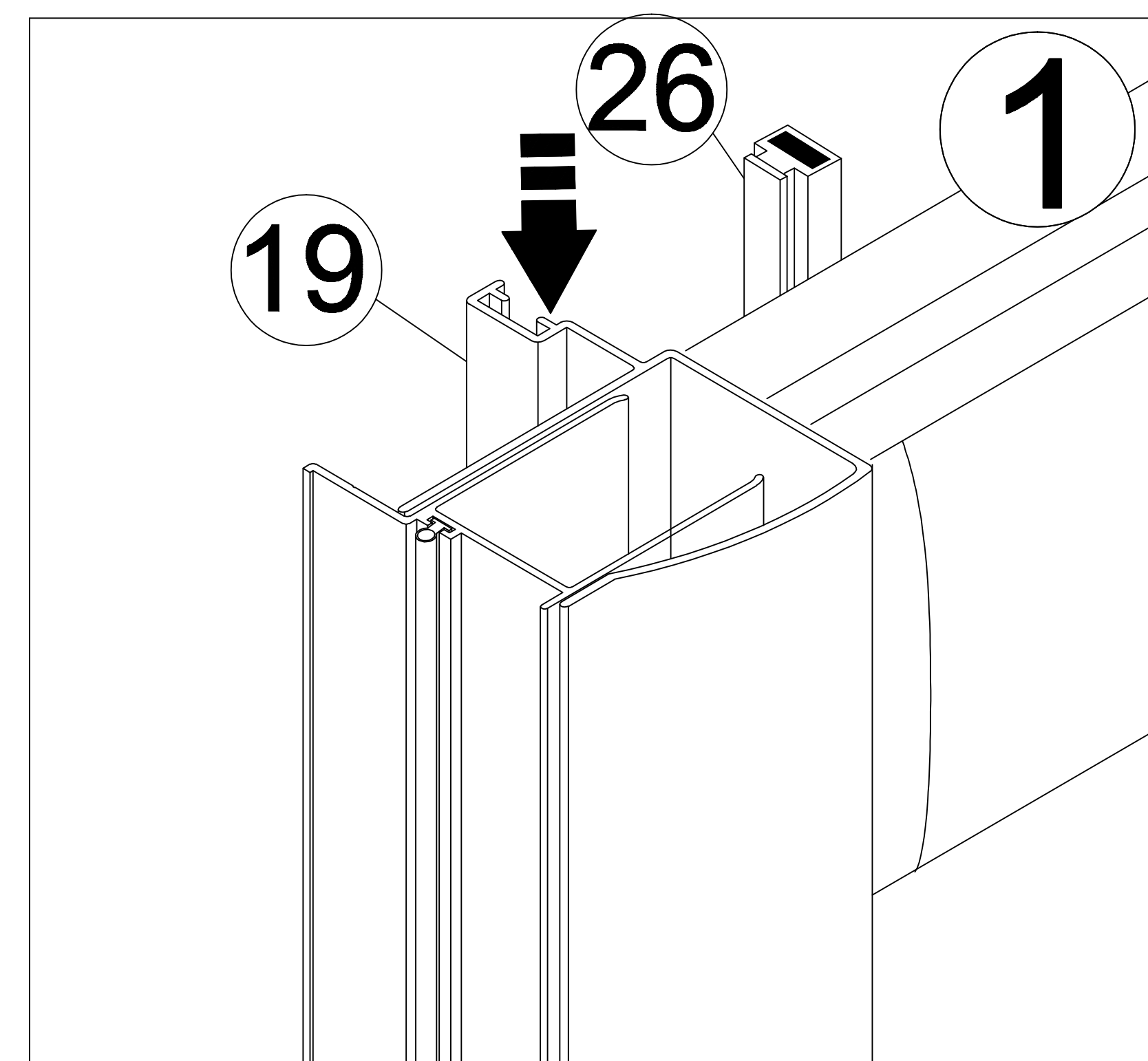
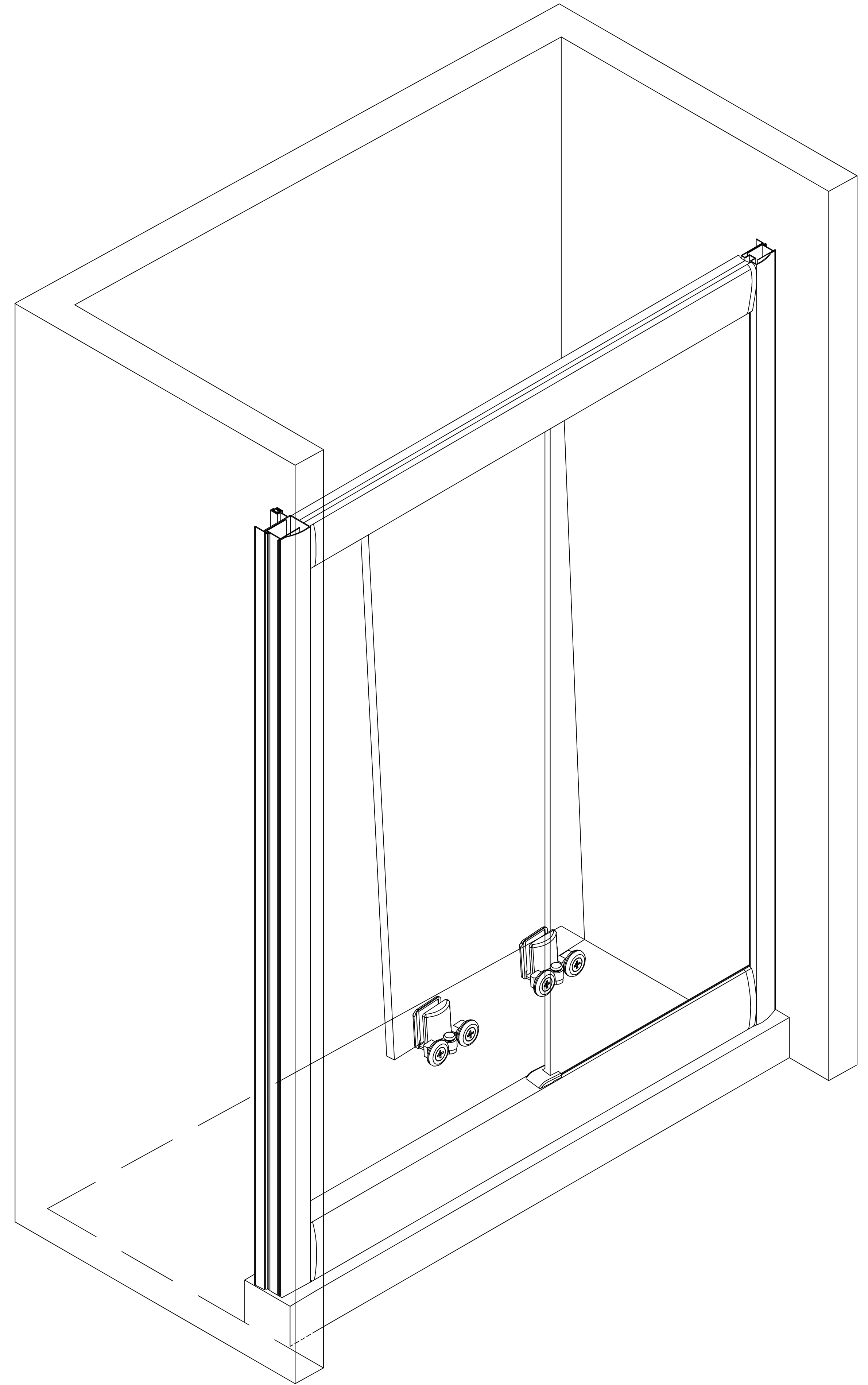
1. Insert Magnetic strip(26) into the Wide wall bracket(19).



## Right Hand Assembly

STEP 8

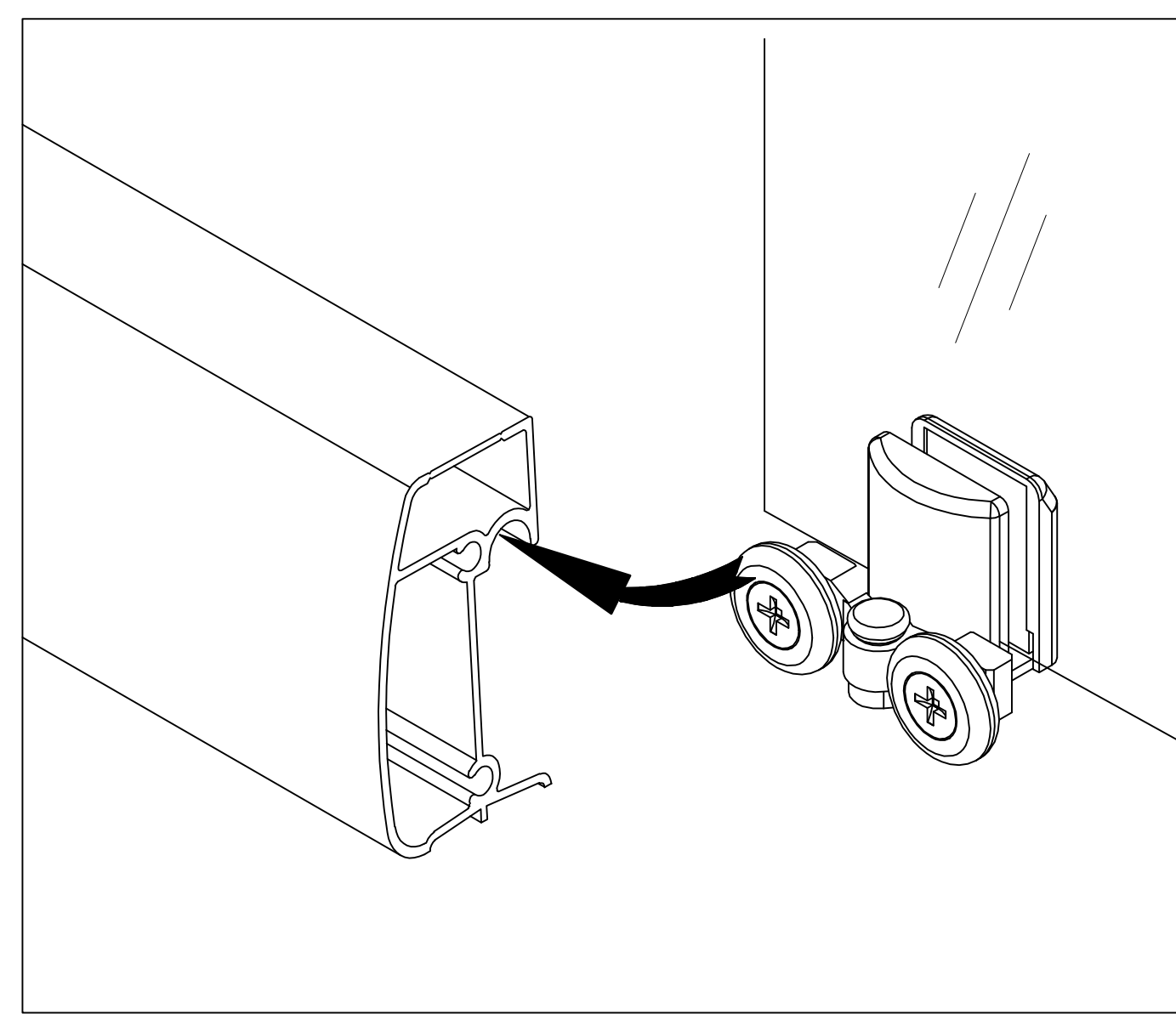
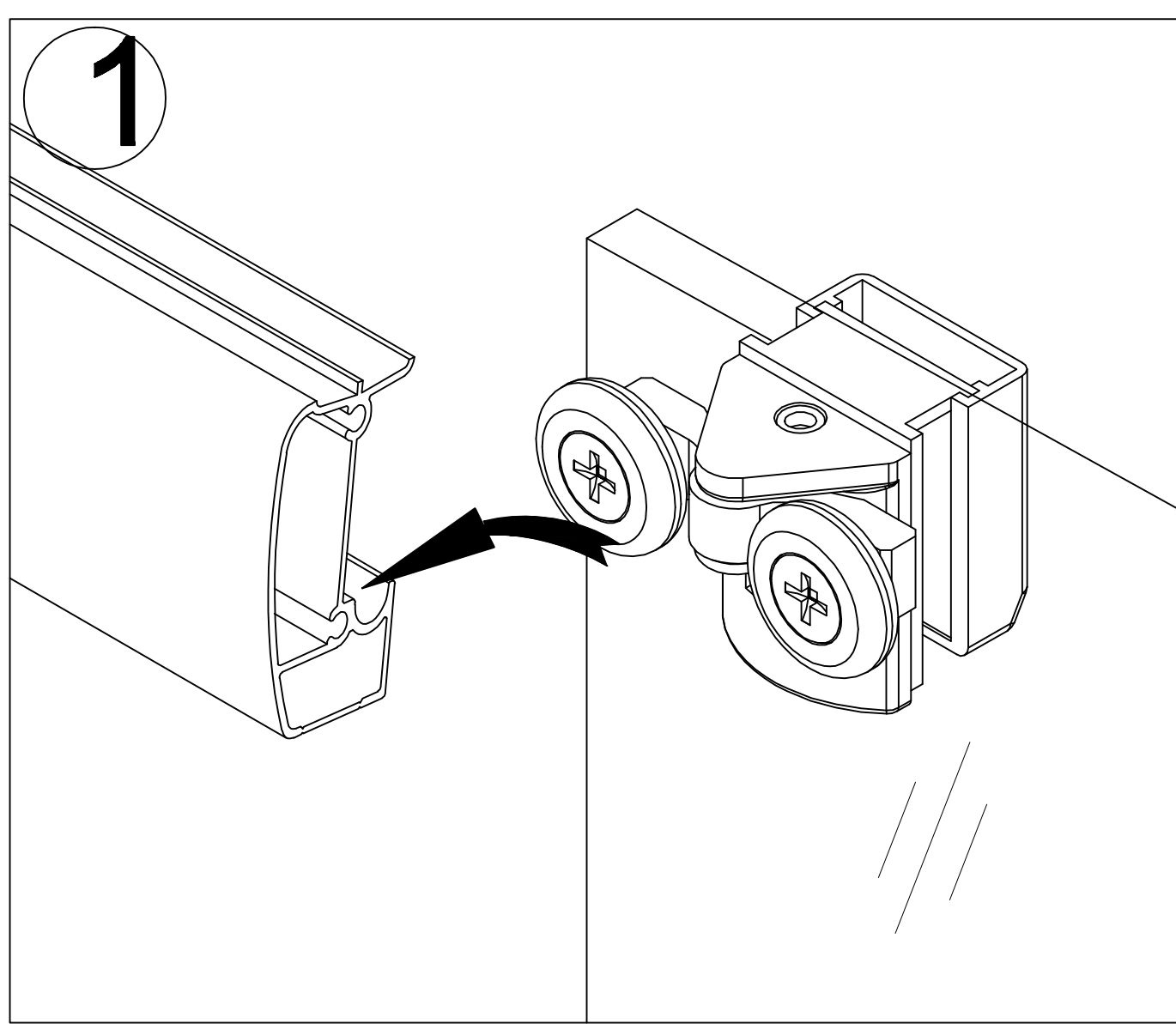
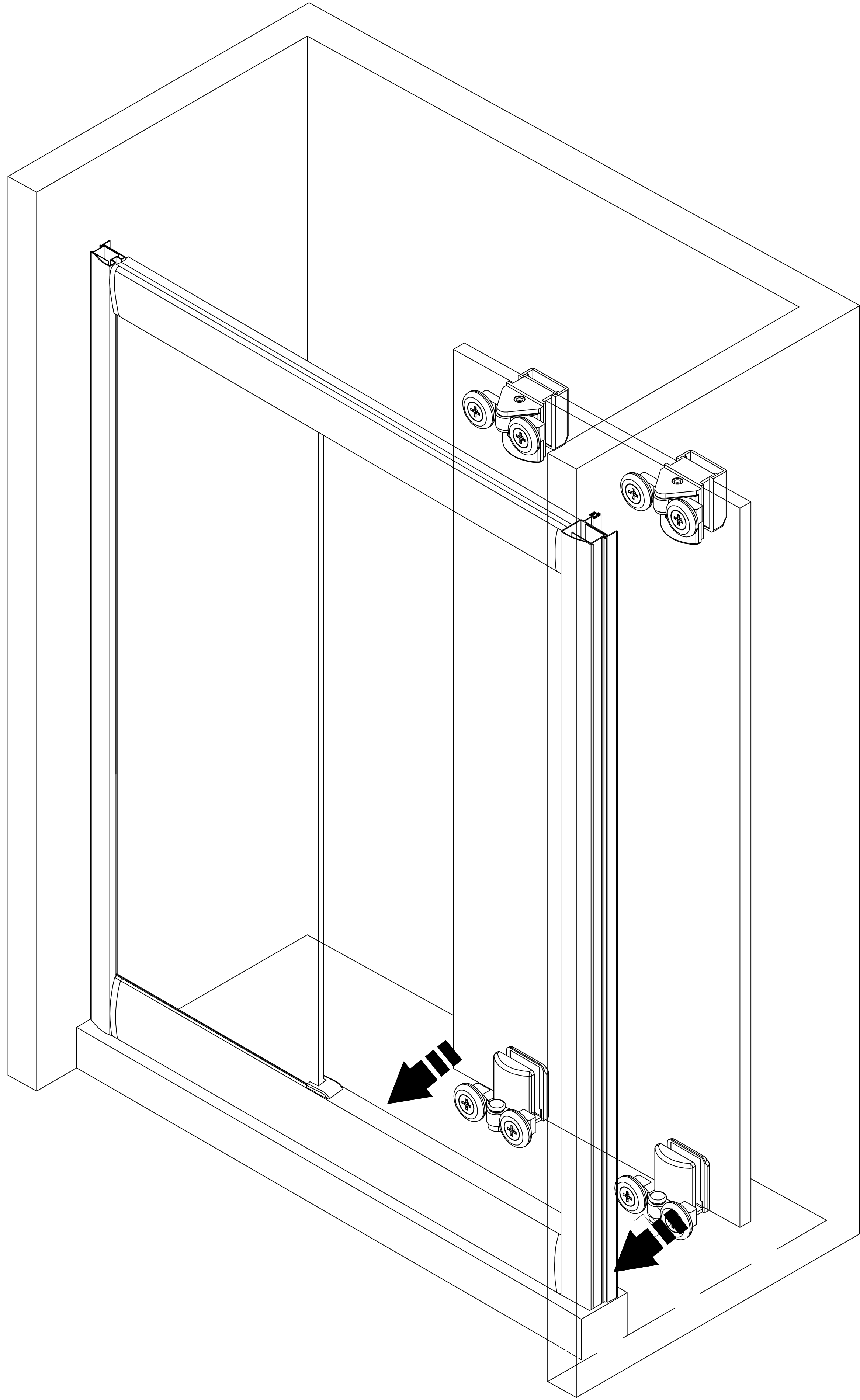
1. Insert Magnetic strip(26) into the Wide wall bracket(19).



# Left Hand Assembly

## STEP 9

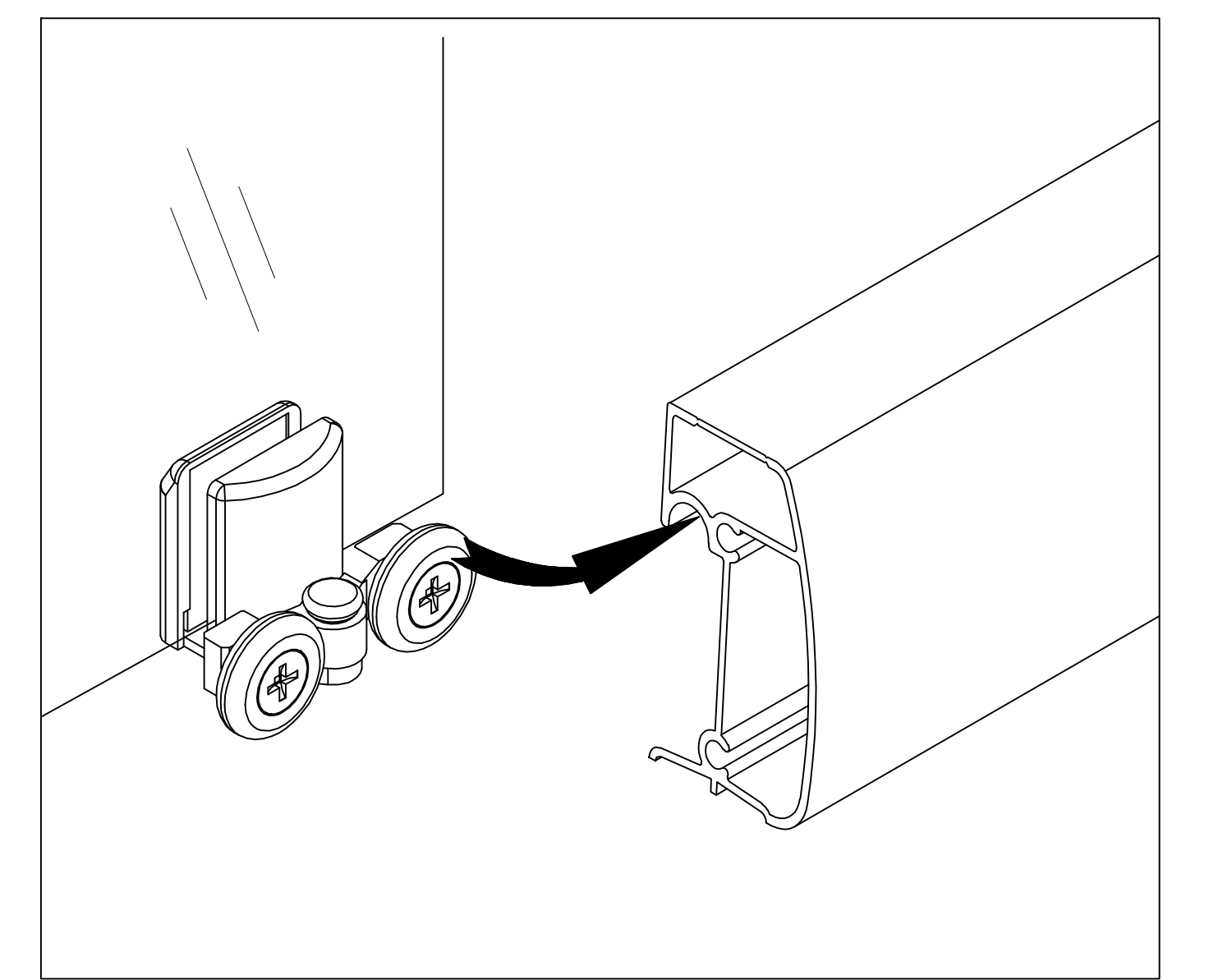
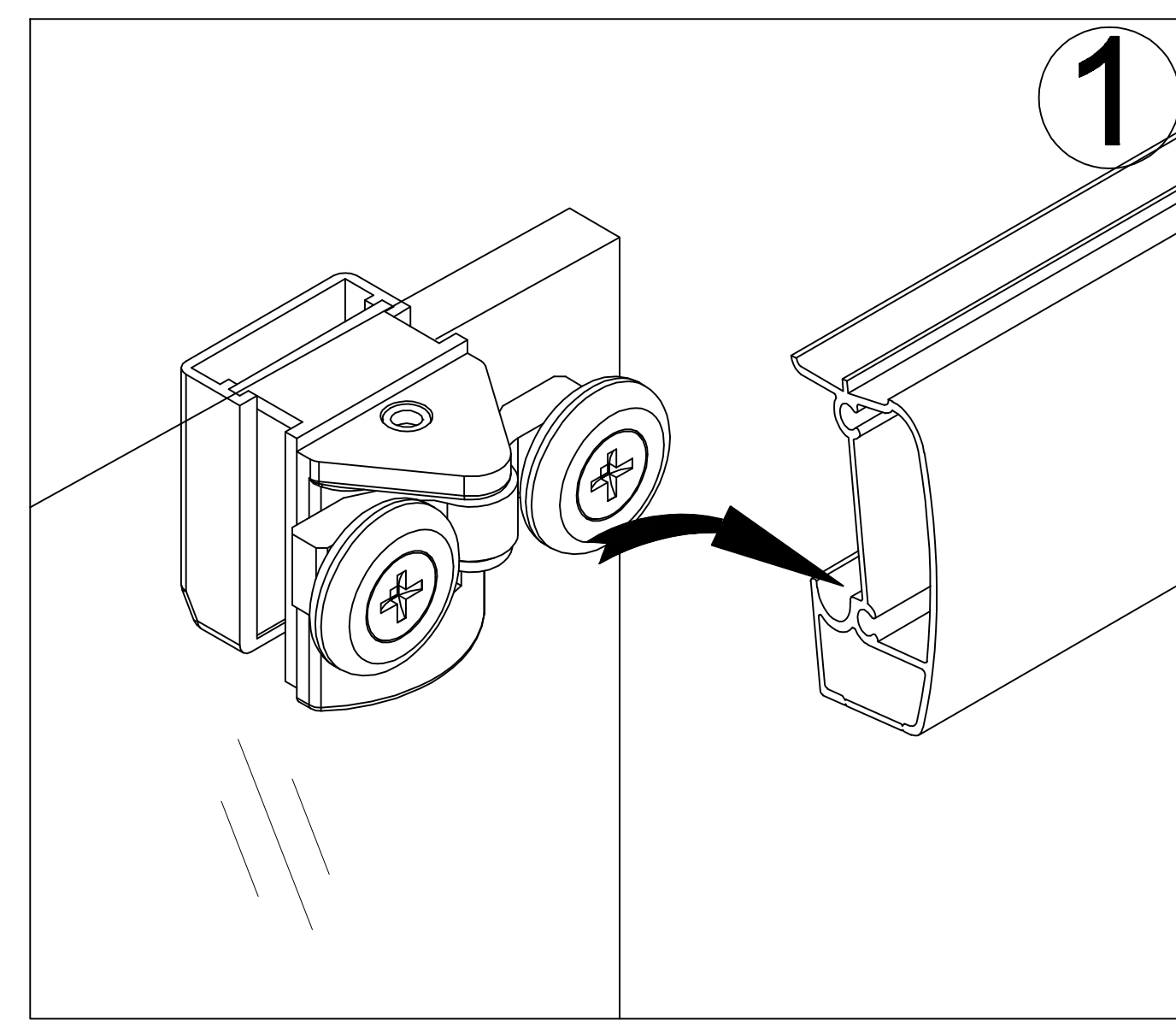
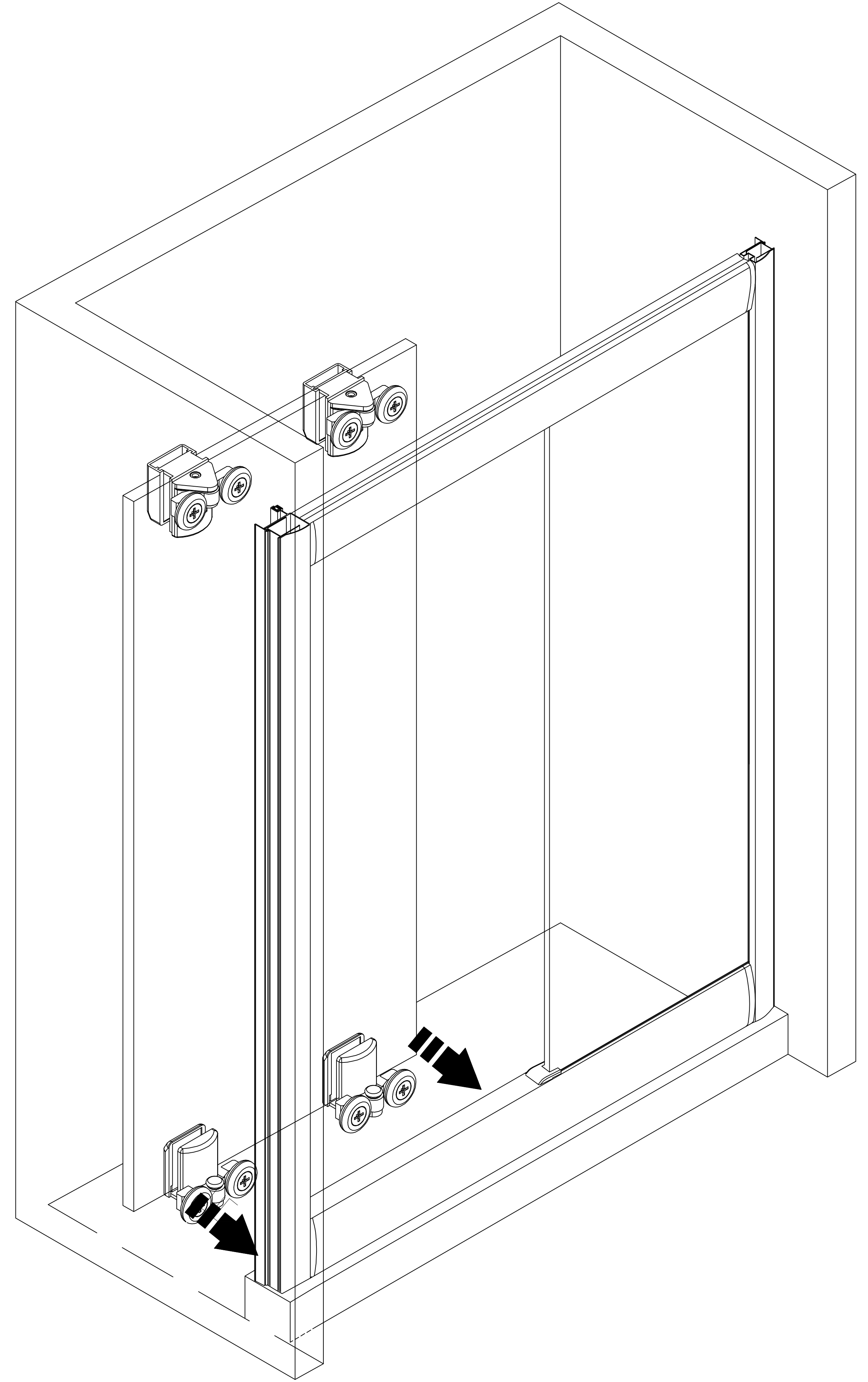
1. Install movable door with roller assembled onto shower door track(14), make sure rollers are fit in the slots of both shower door tracks(14).



# Right Hand Assembly

## STEP 9

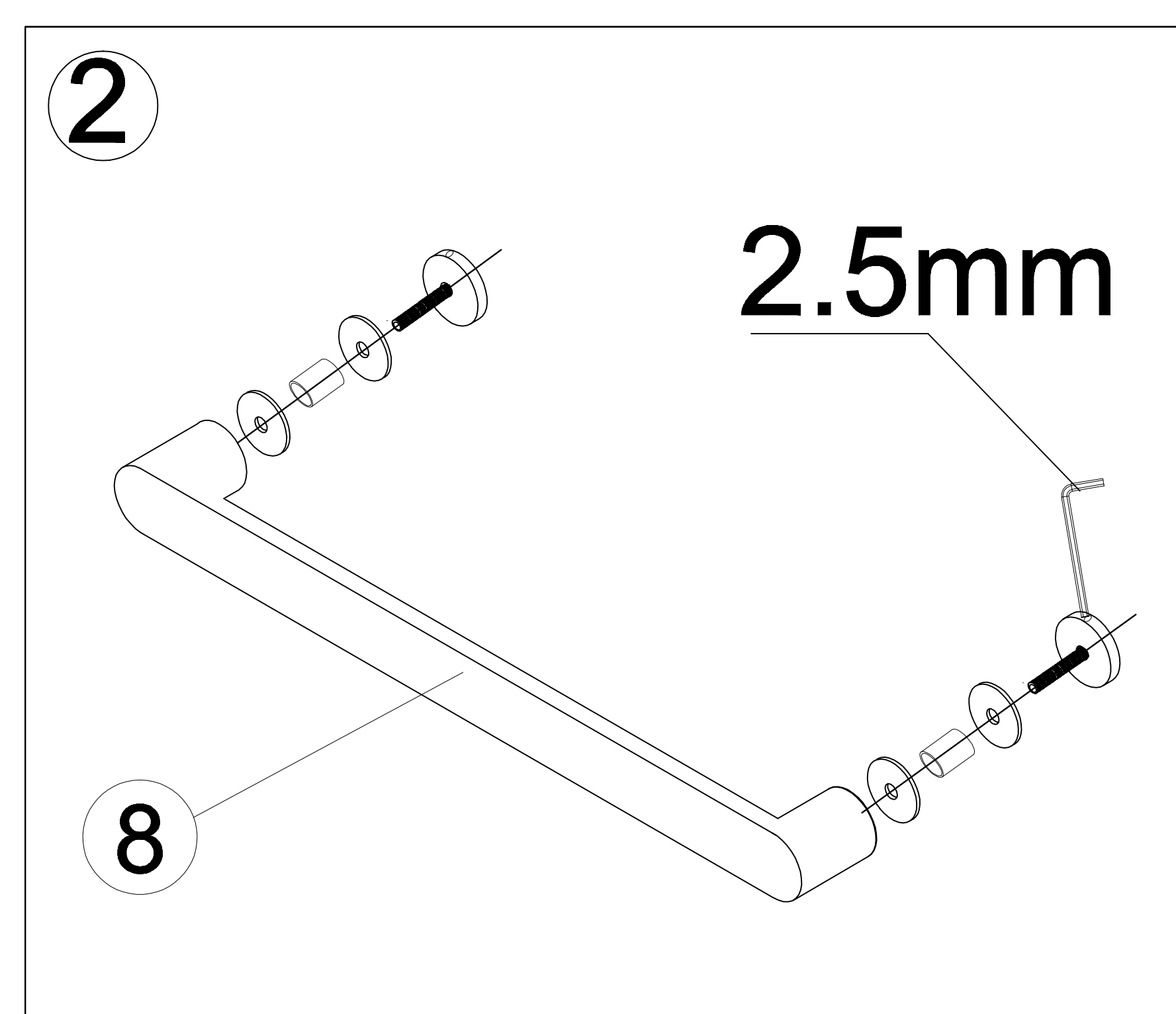
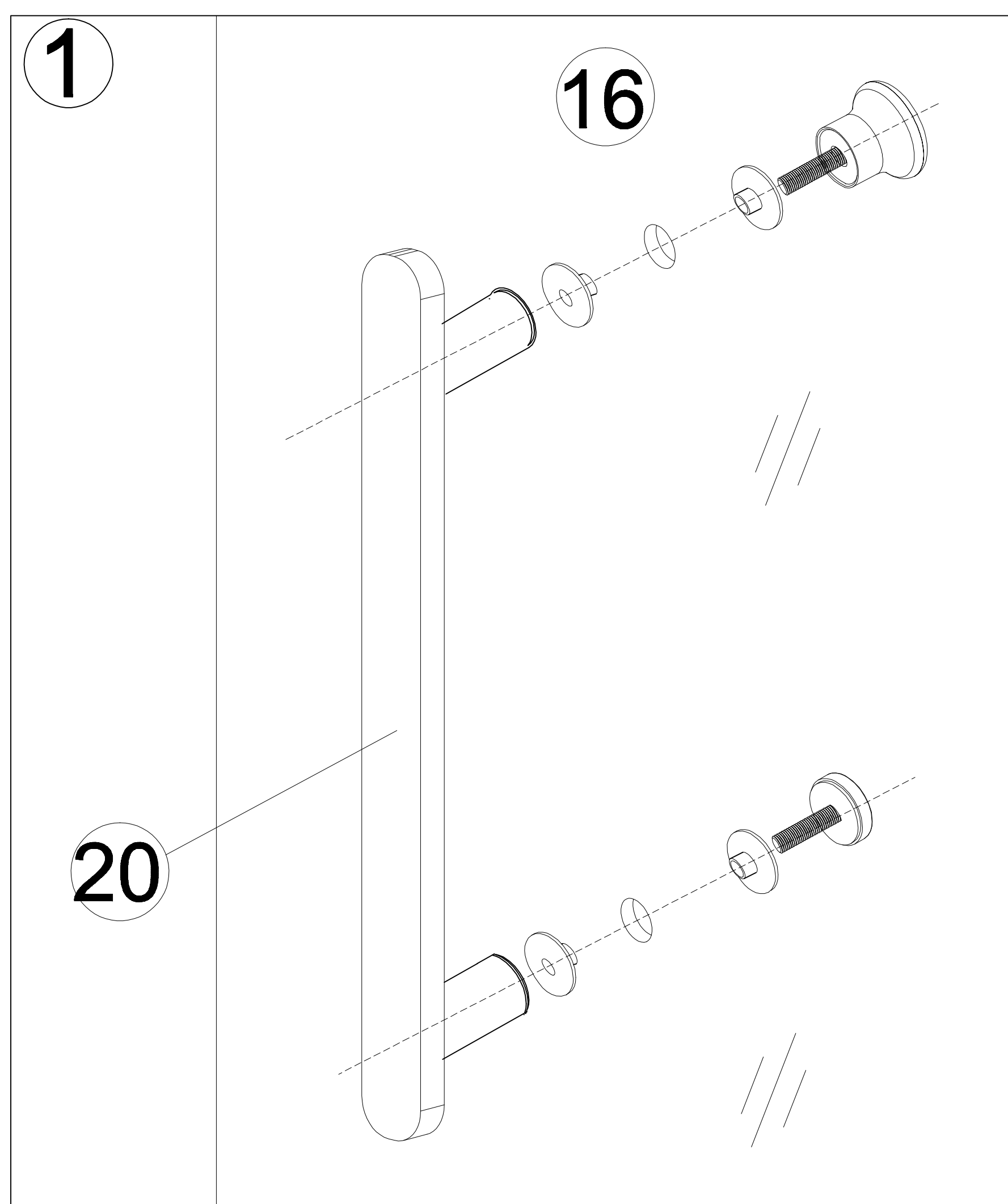
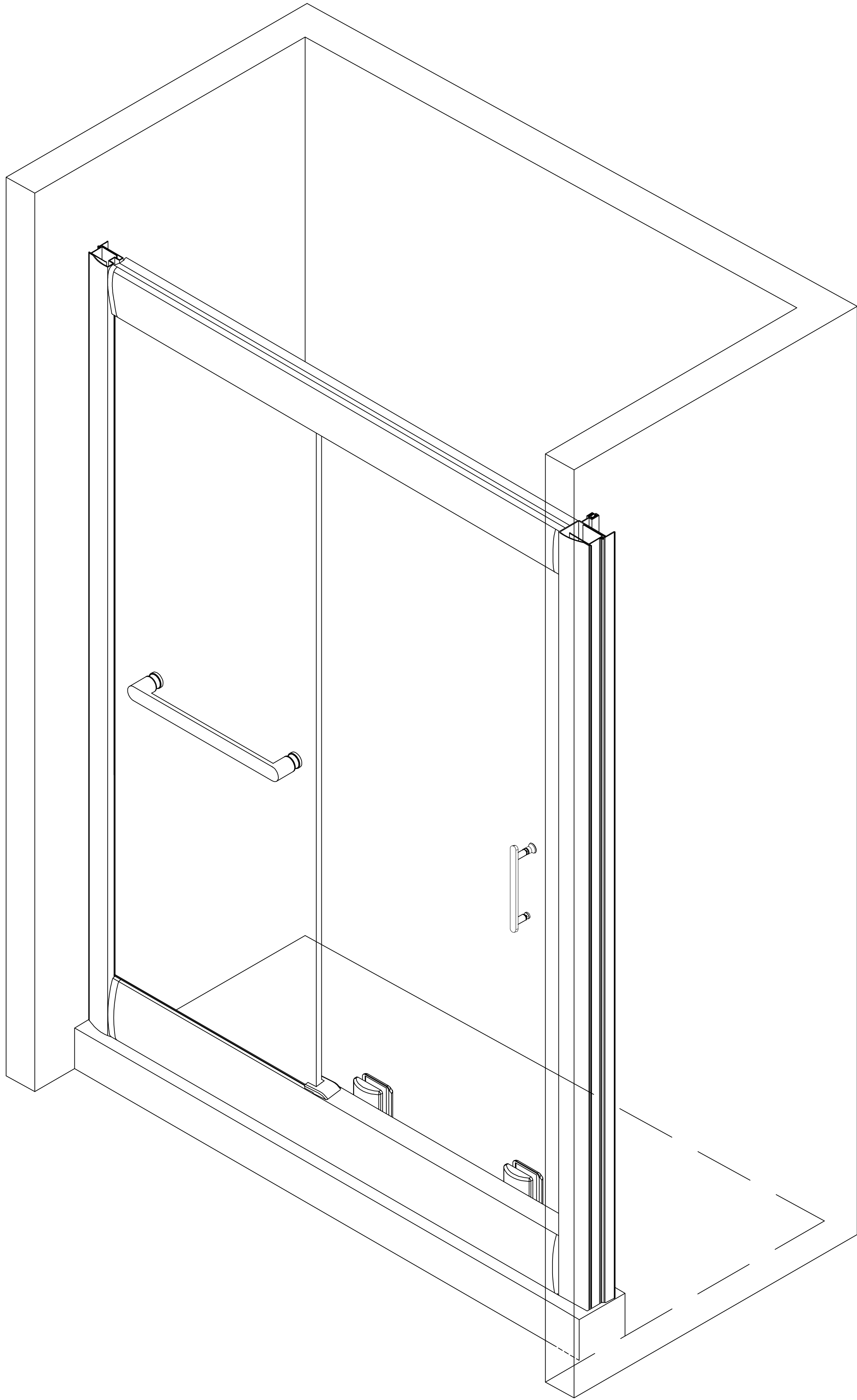
1. Install movable door with roller assembled onto shower door track(14), make sure rollers are fit in the slots of both shower door tracks(14).



# Left Hand Assembly

## STEP 10

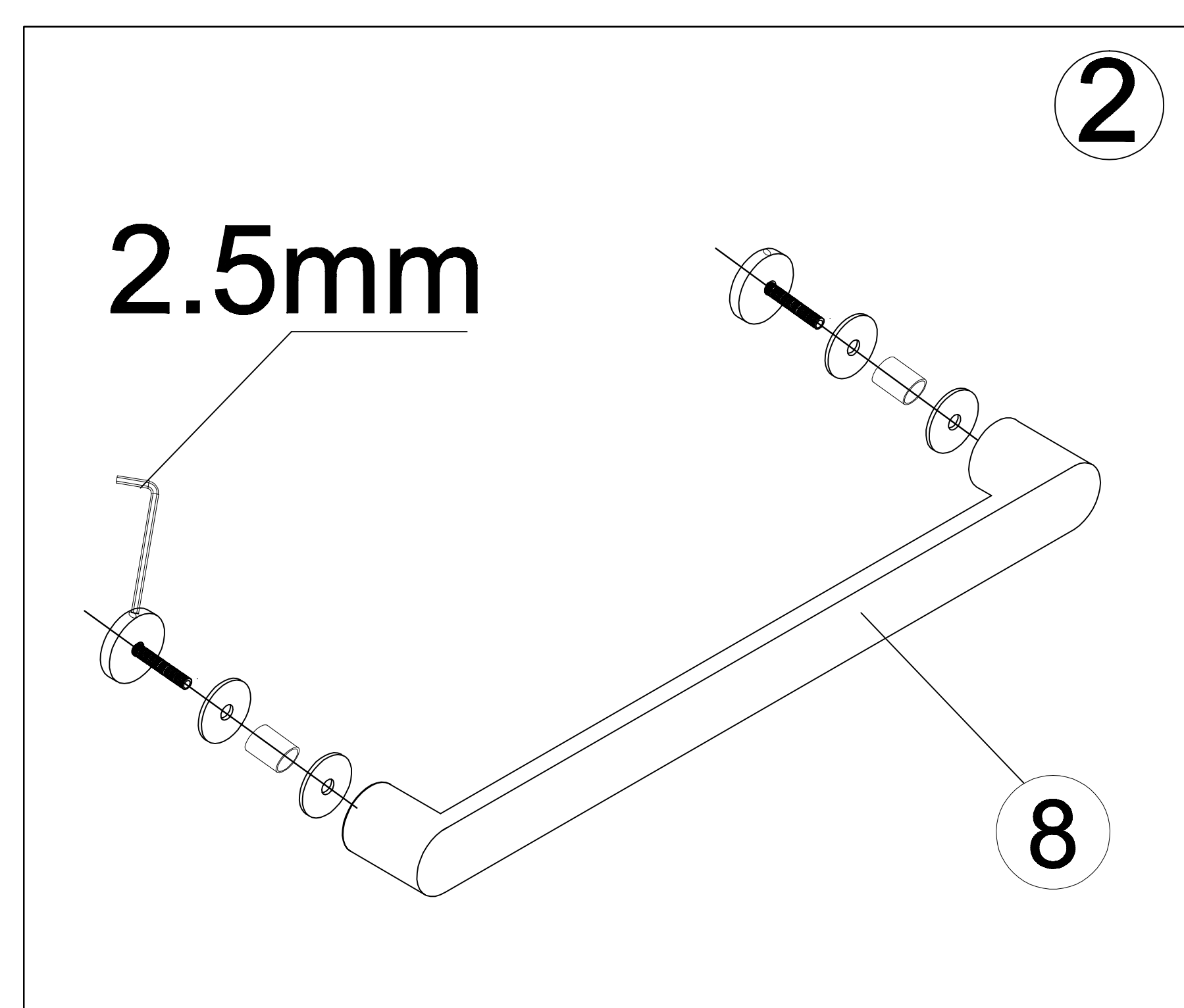
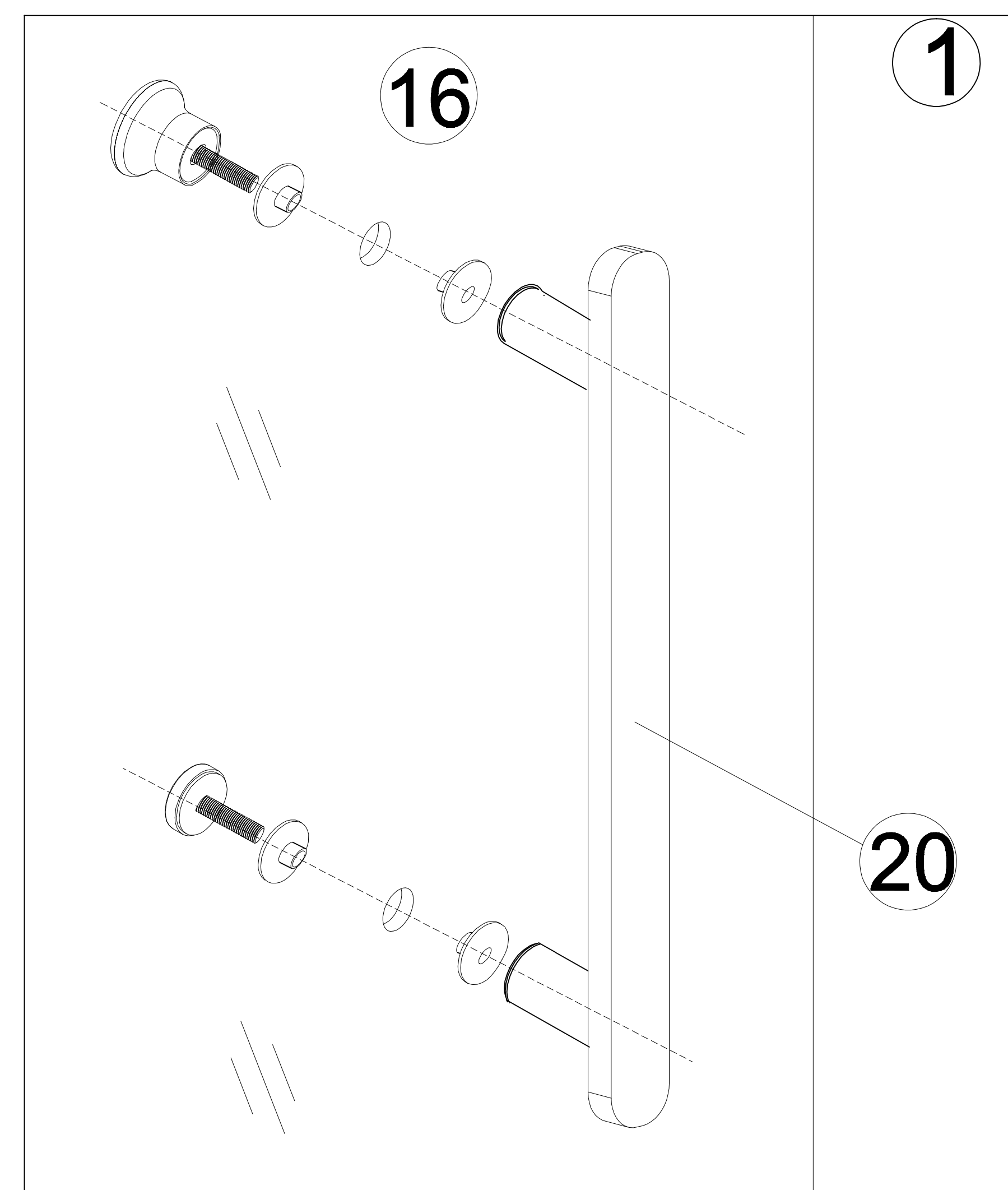
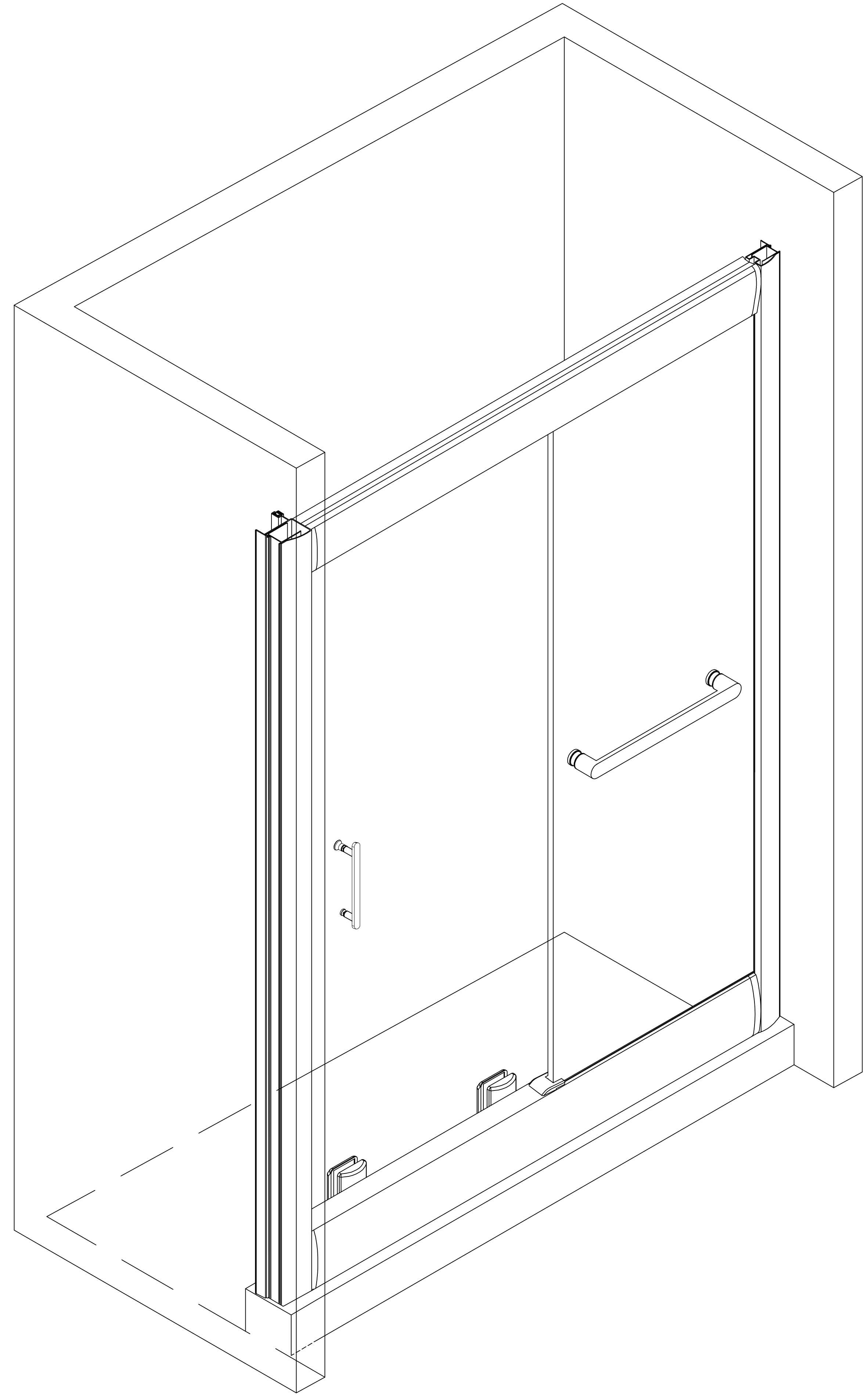
1. Install handle(20) onto movable door(16).
2. Install towel bar(8) onto fixed panel(9).



# Right Hand Assembly

## STEP 10

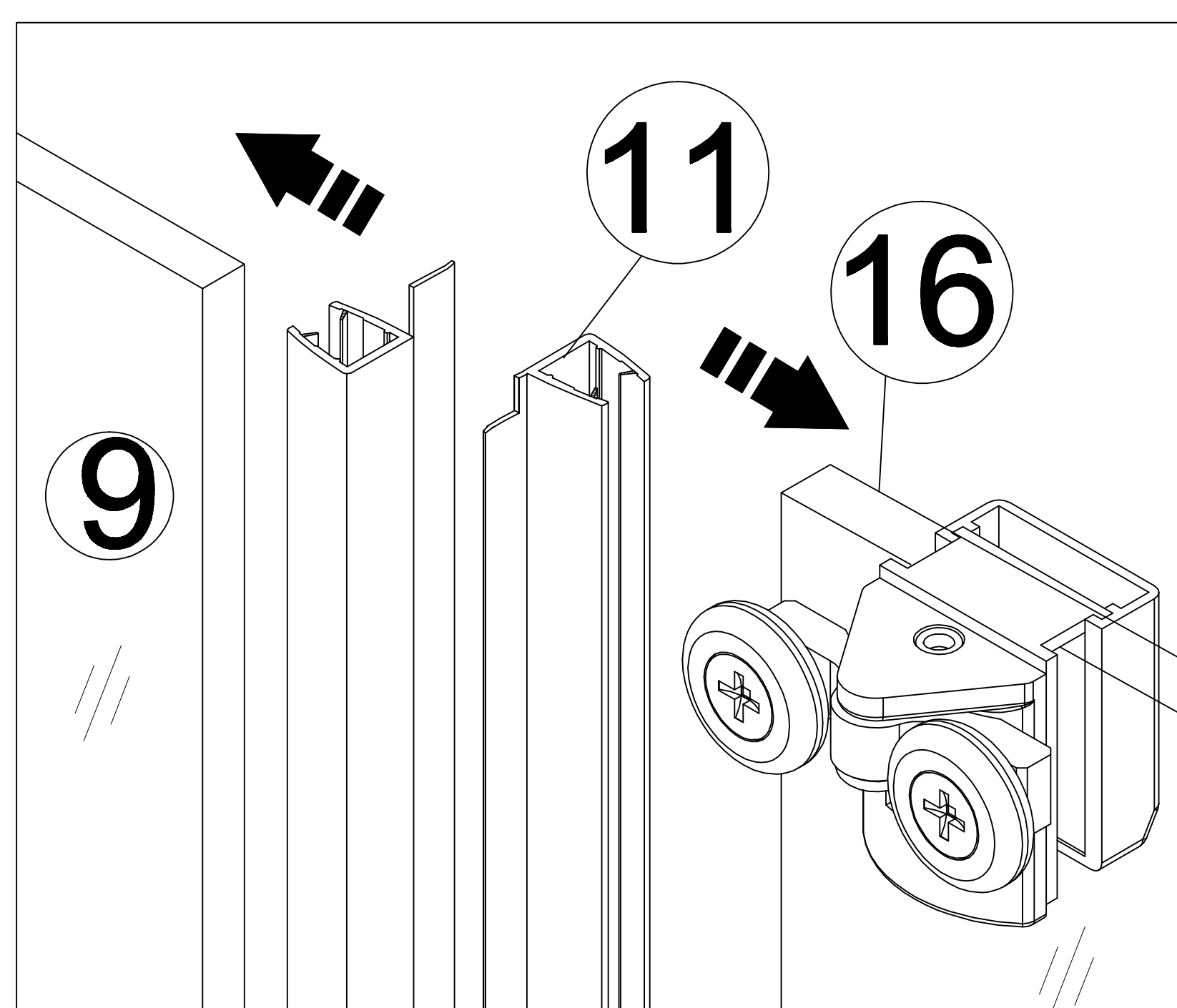
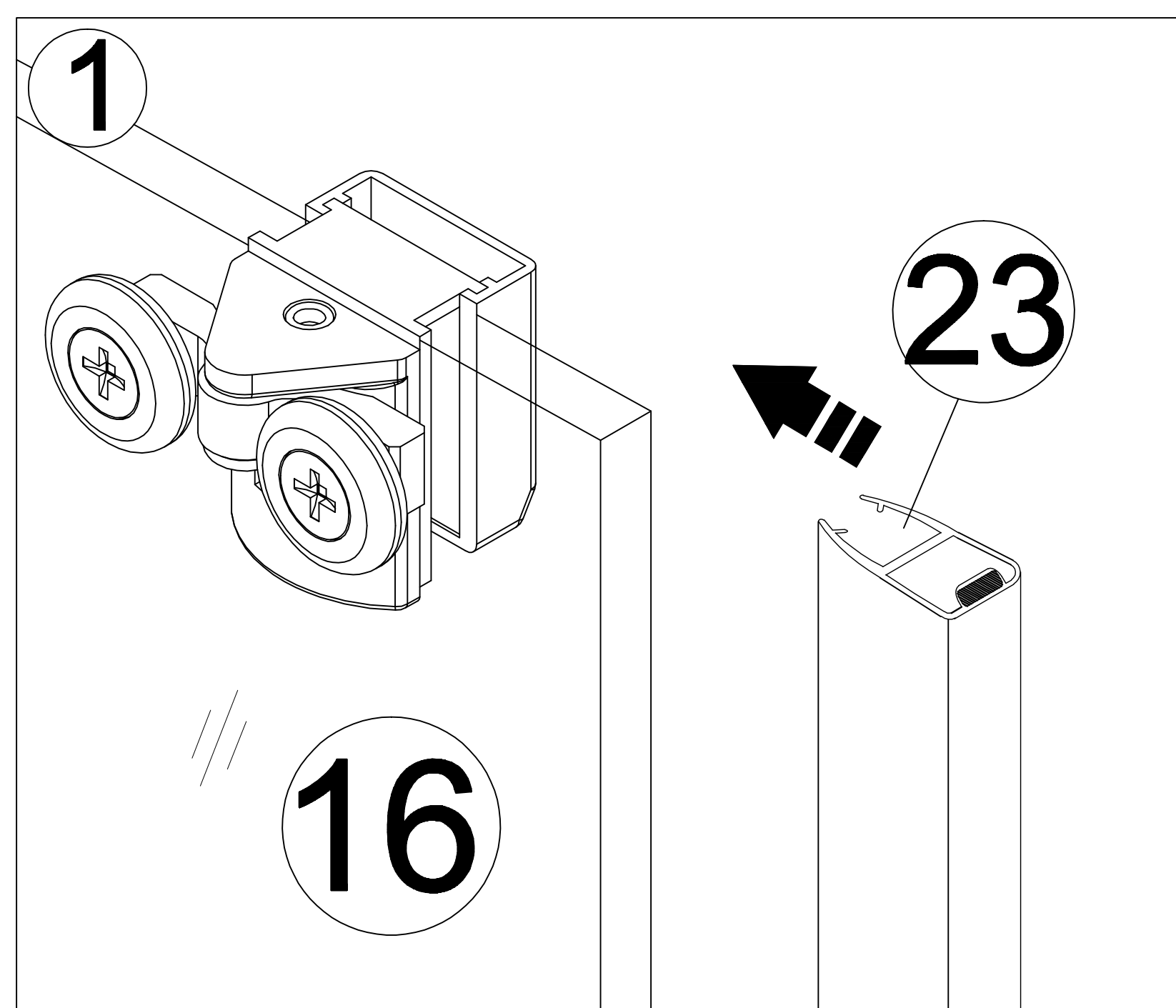
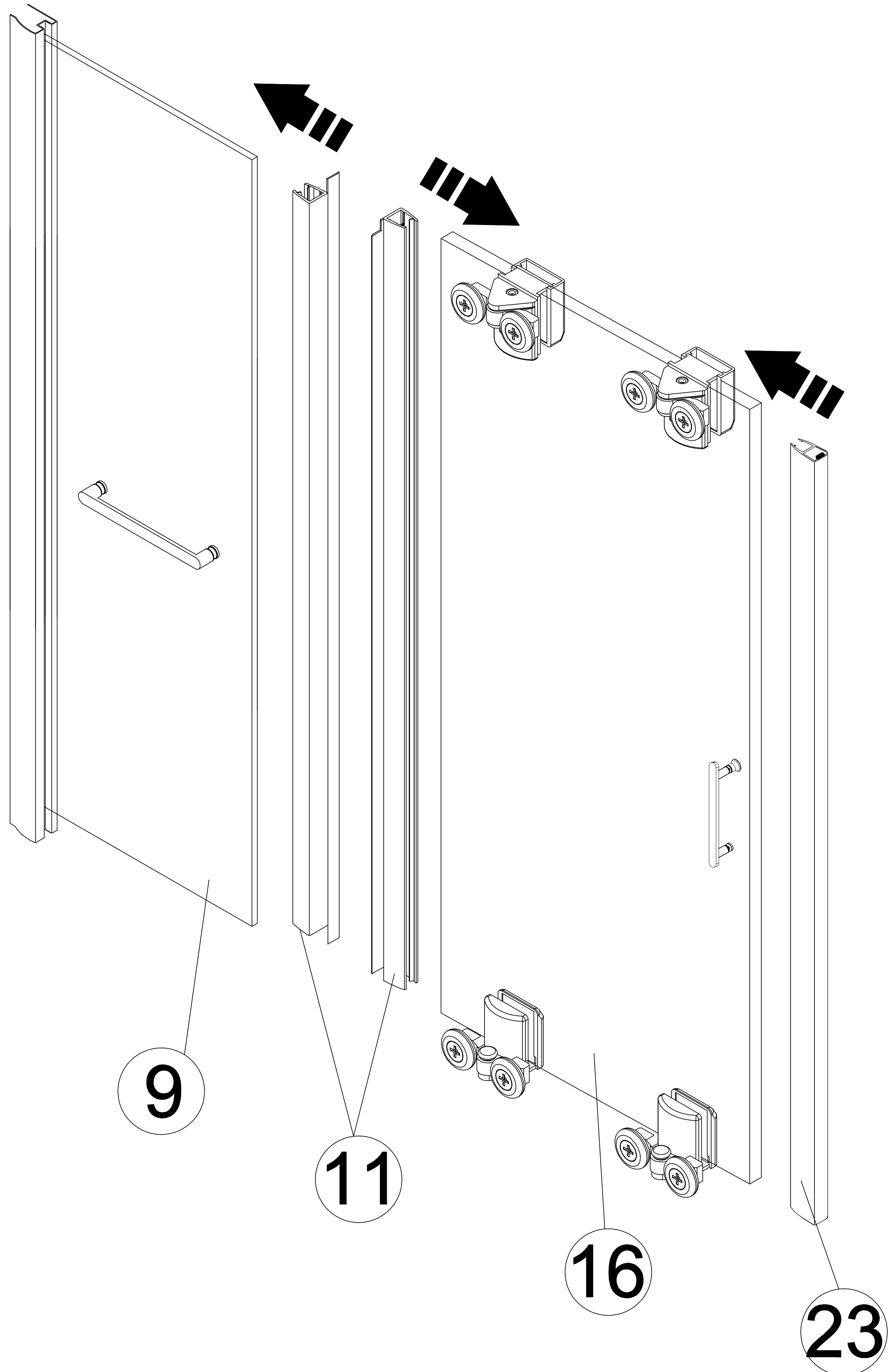
1. Install handle(20) onto movable door(16).
2. Install towel bar(8) onto fixed panel(9).



## Left Hand Assembly

### STEP 11

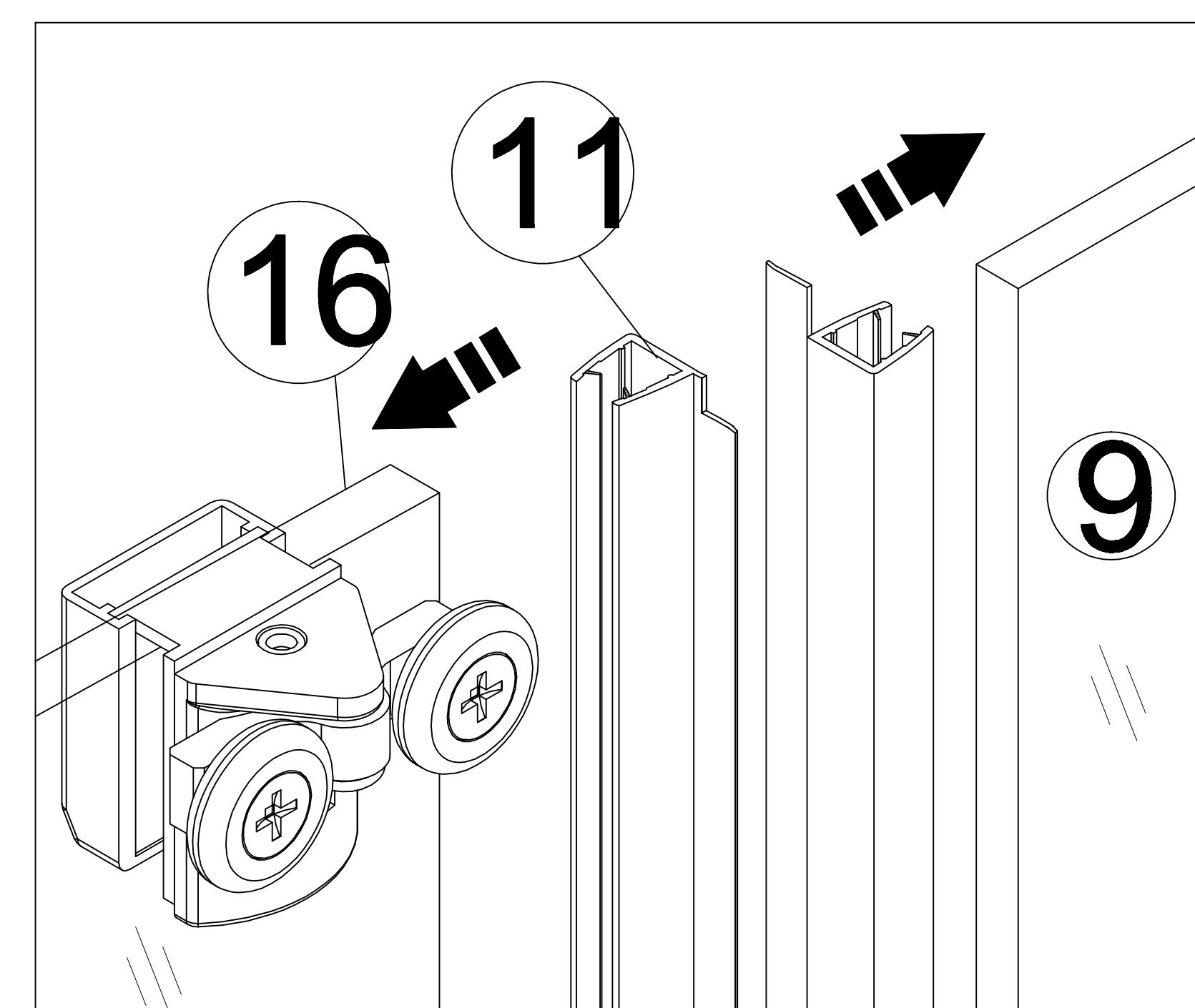
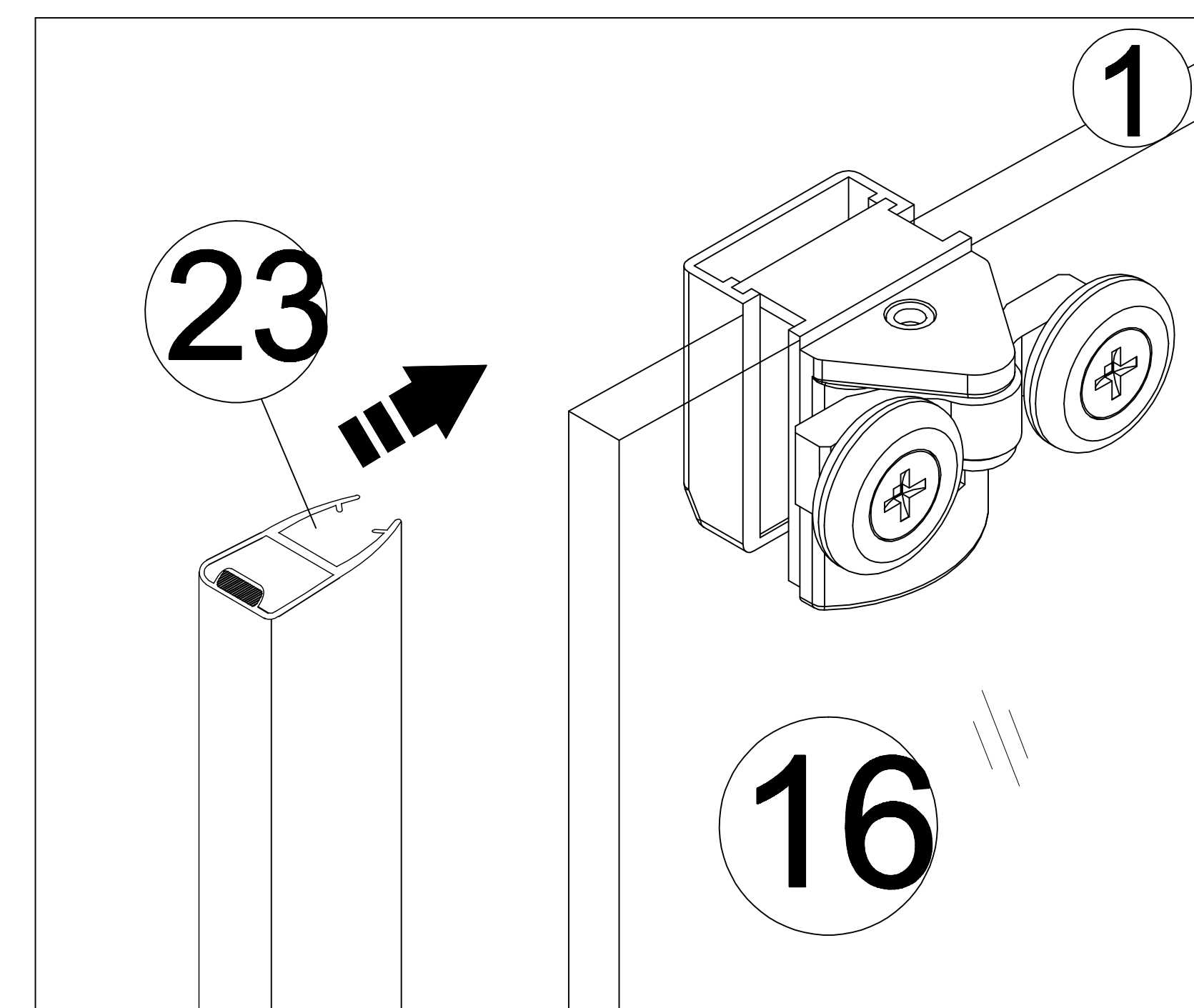
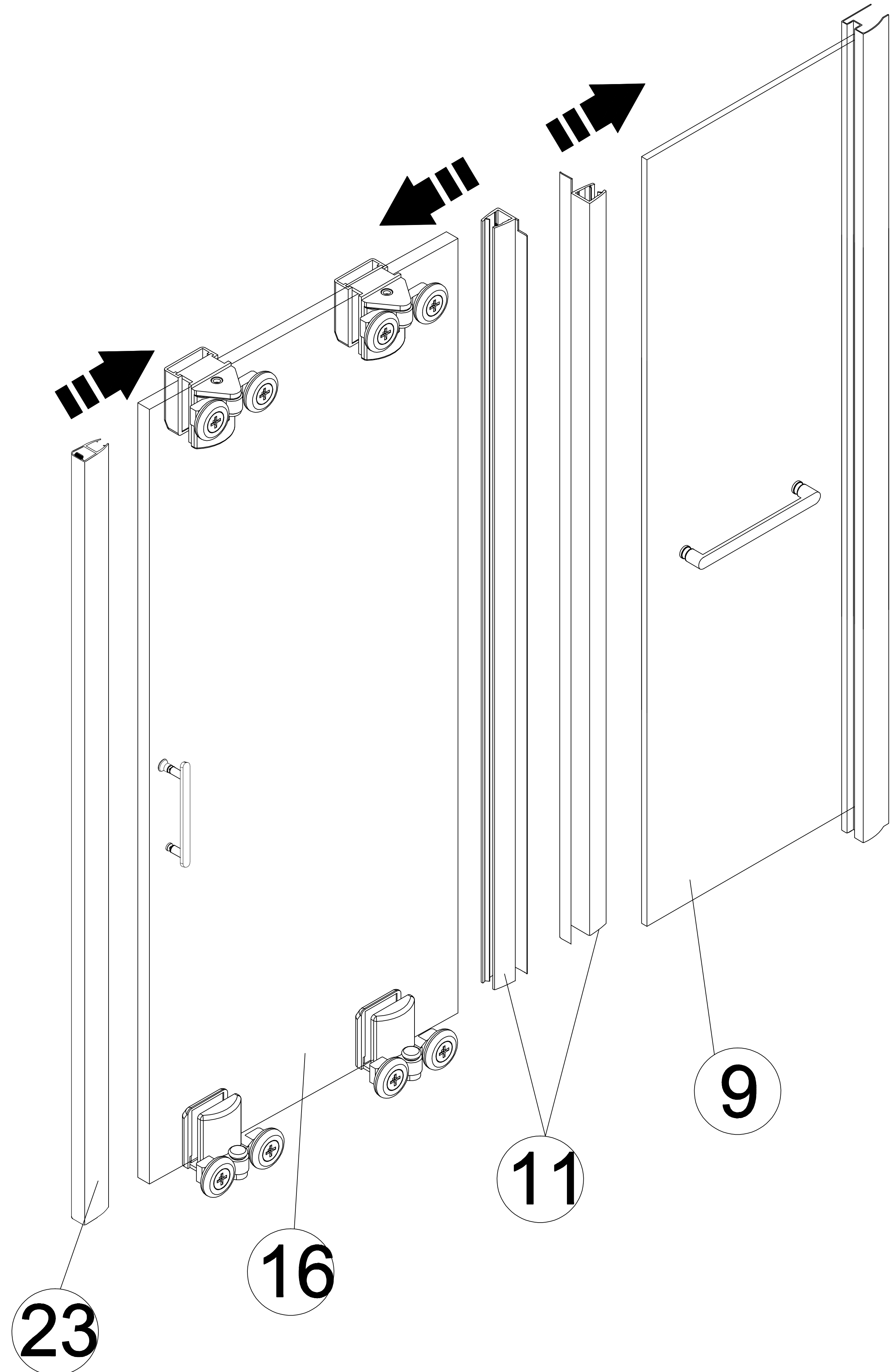
1. Put water retaining gasket(11) on the fixed panel(9) and movable door(16), and install magnetic strip(23) on the movable door(16).



## Right Hand Assembly

### STEP 11

1. Put water retaining gasket(11) on the fixed panel(9) and movable door(16), and install magnetic strip(23) on the movable door(16).

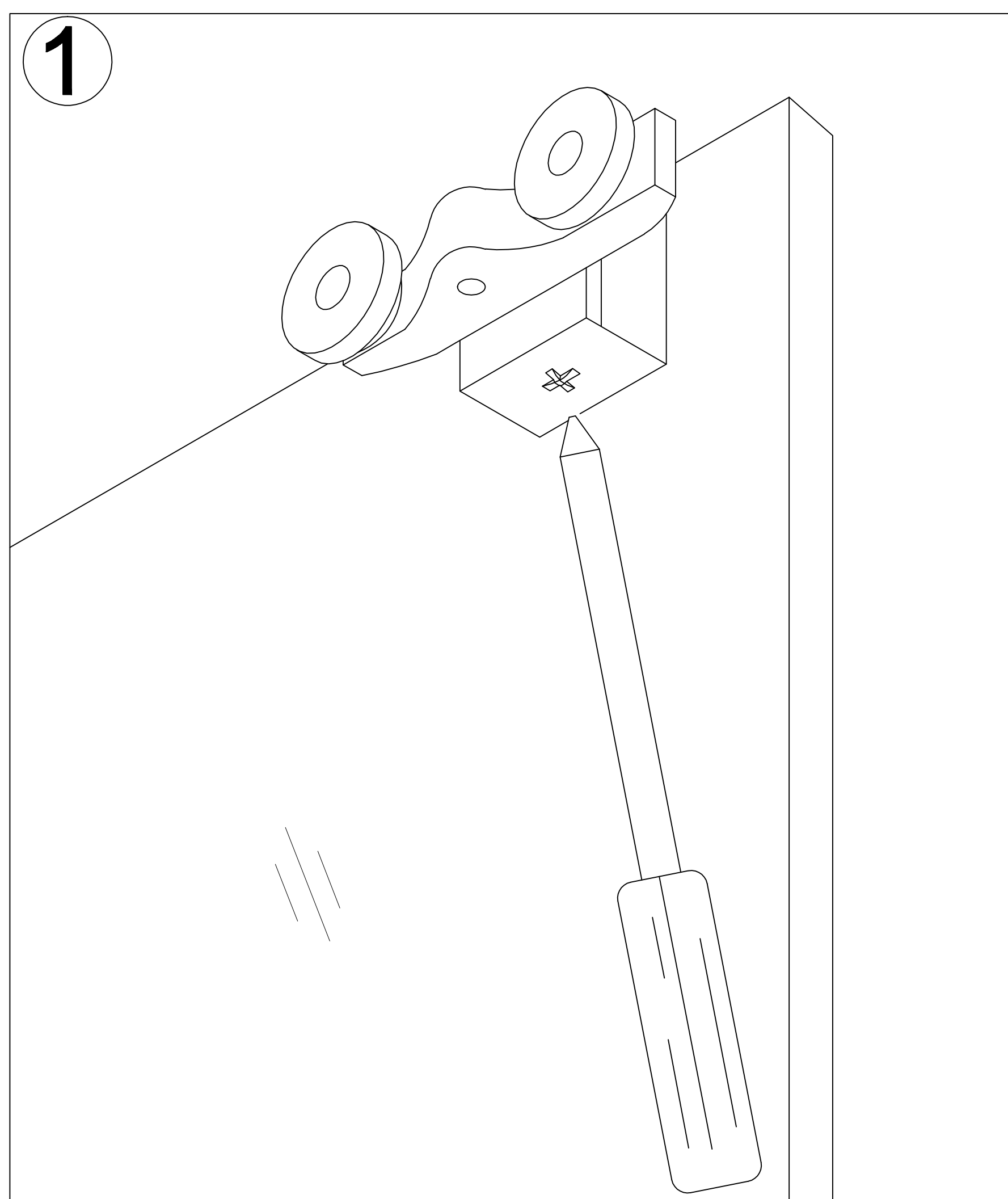
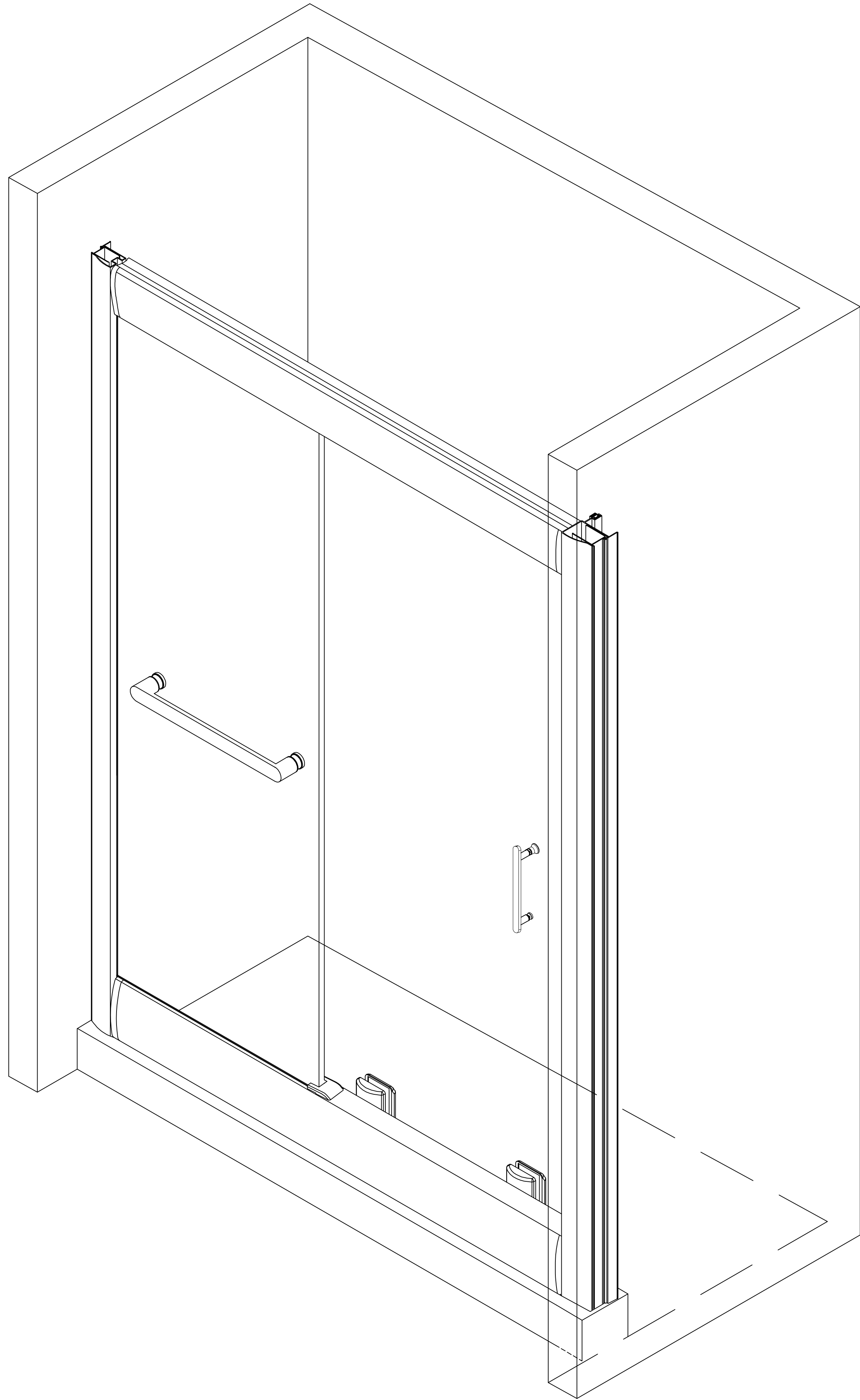


## Left Hand Assembly

### STEP 12

1. Try sliding the doors and make sure the doors move stably and little gap between magnetic trips(23) with wide wall bracket(19), adjust the top roller assembly(24) if otherwise.

How to adjust the top rollers: adjust the bottom screw of the roller, slide the doors at the same time and check the gap between the magnetic trips until it's alright.

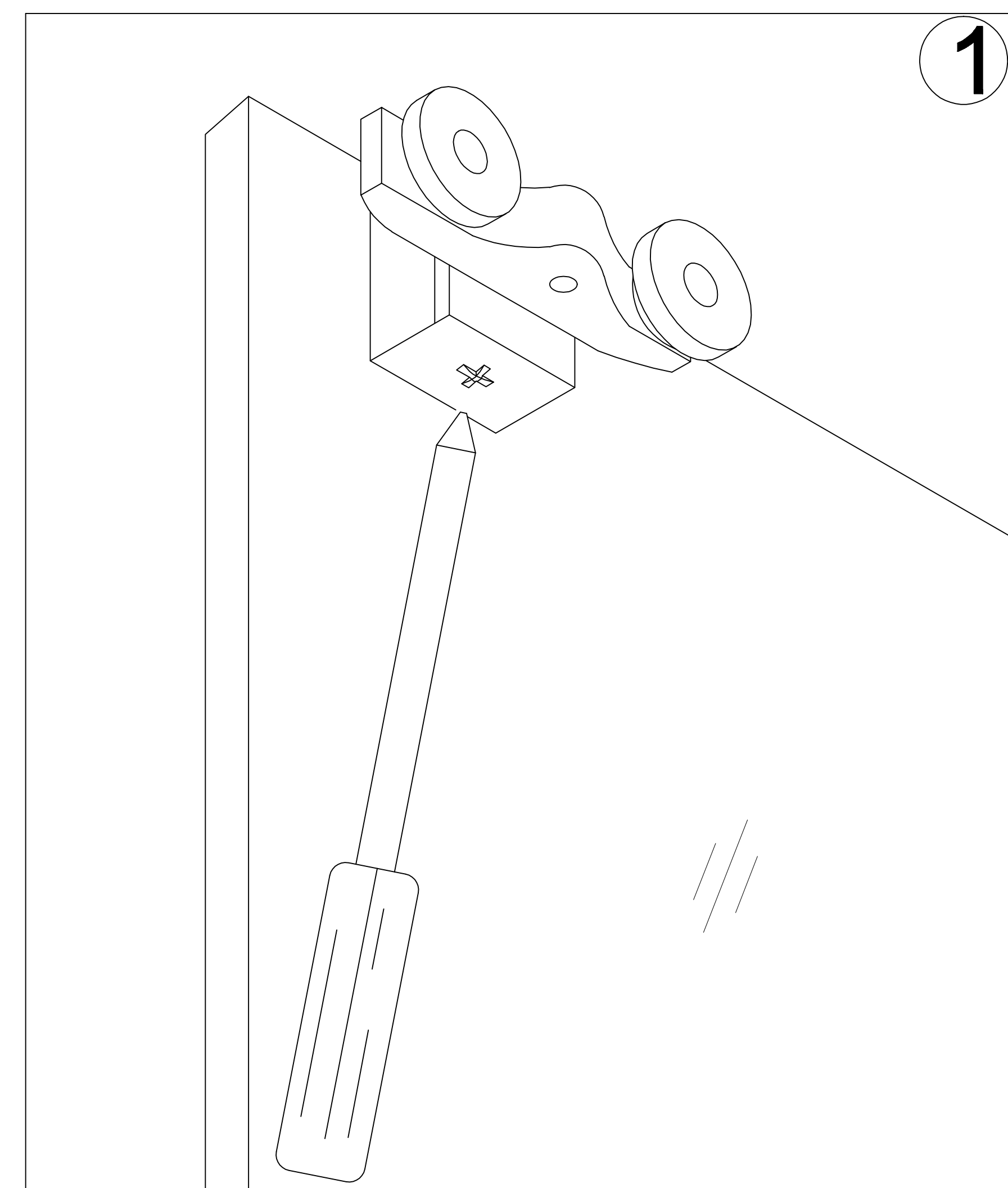
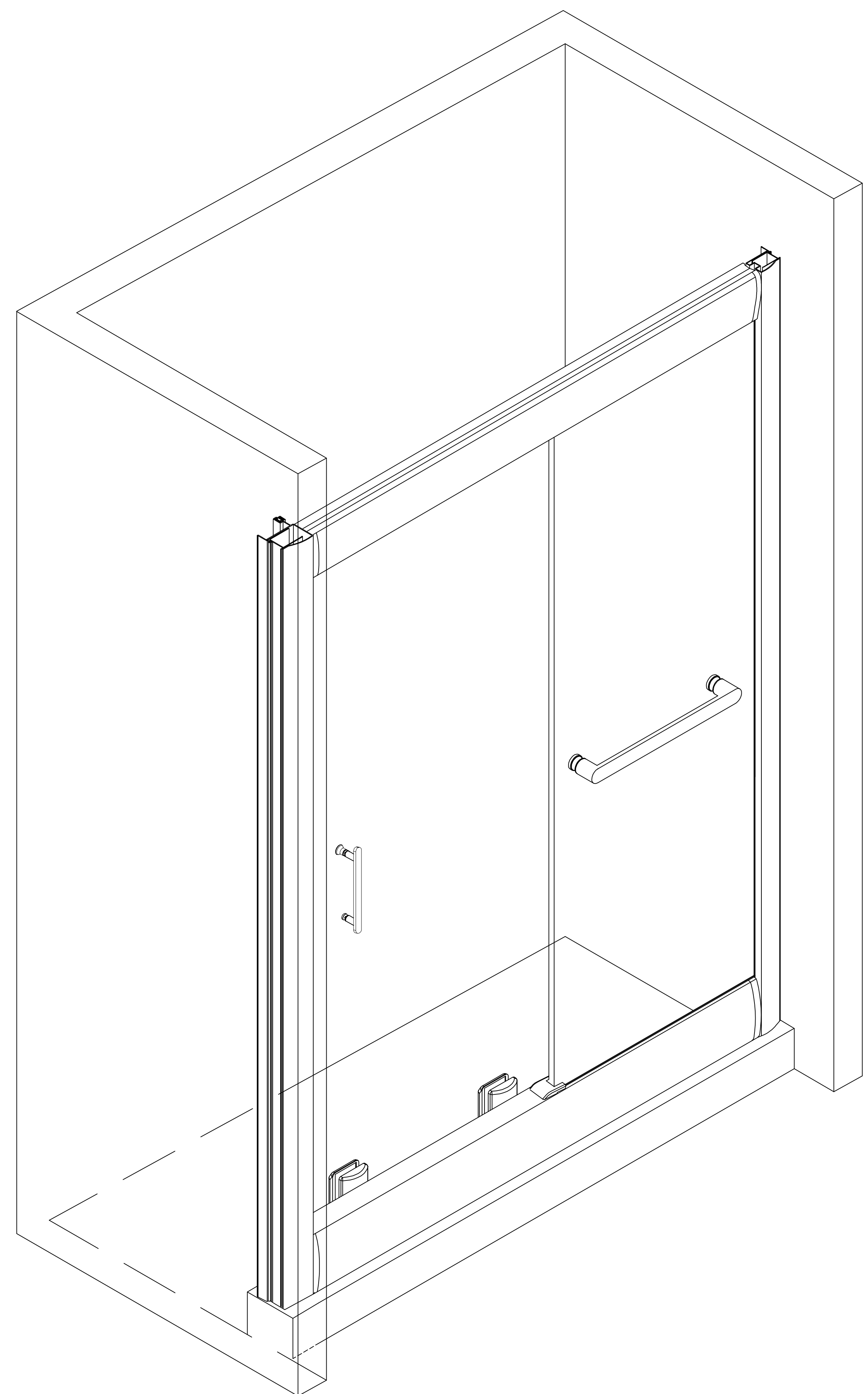


## Right Hand Assembly

### STEP 12

1. Try sliding the doors and make sure the doors move stably and little gap between magnetic trips(23) with wide wall bracket(19), adjust the top roller assembly(24) if otherwise.

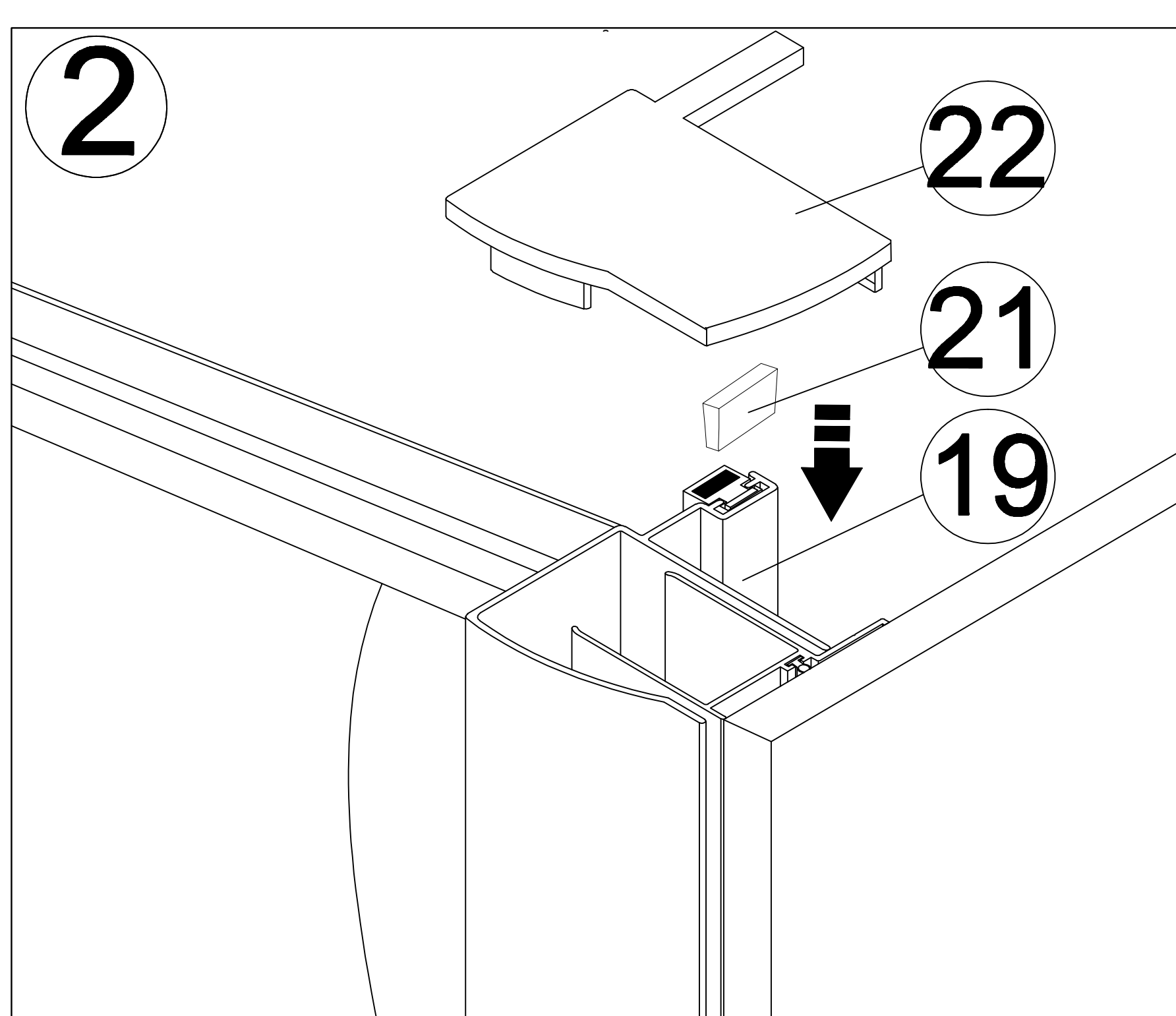
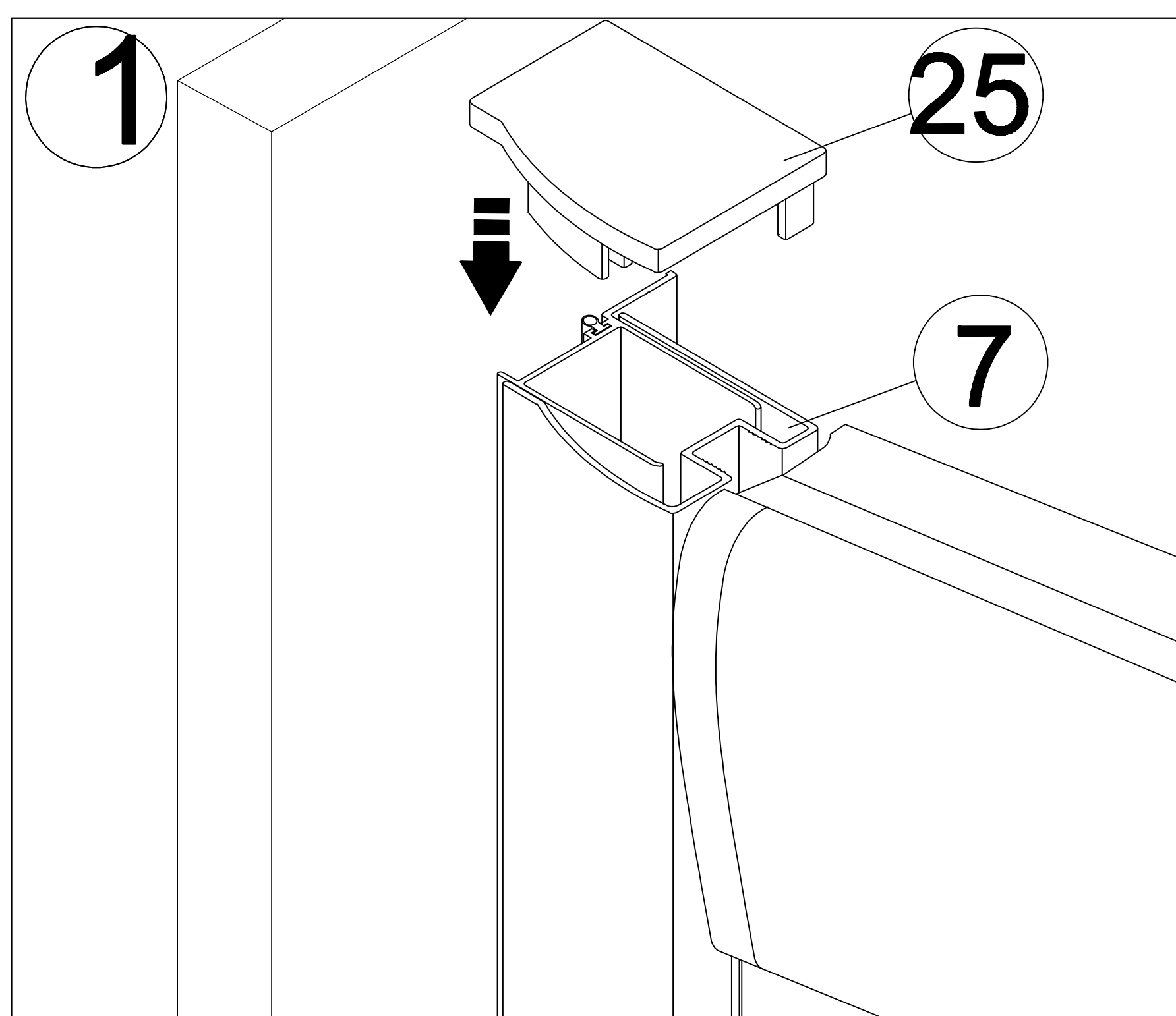
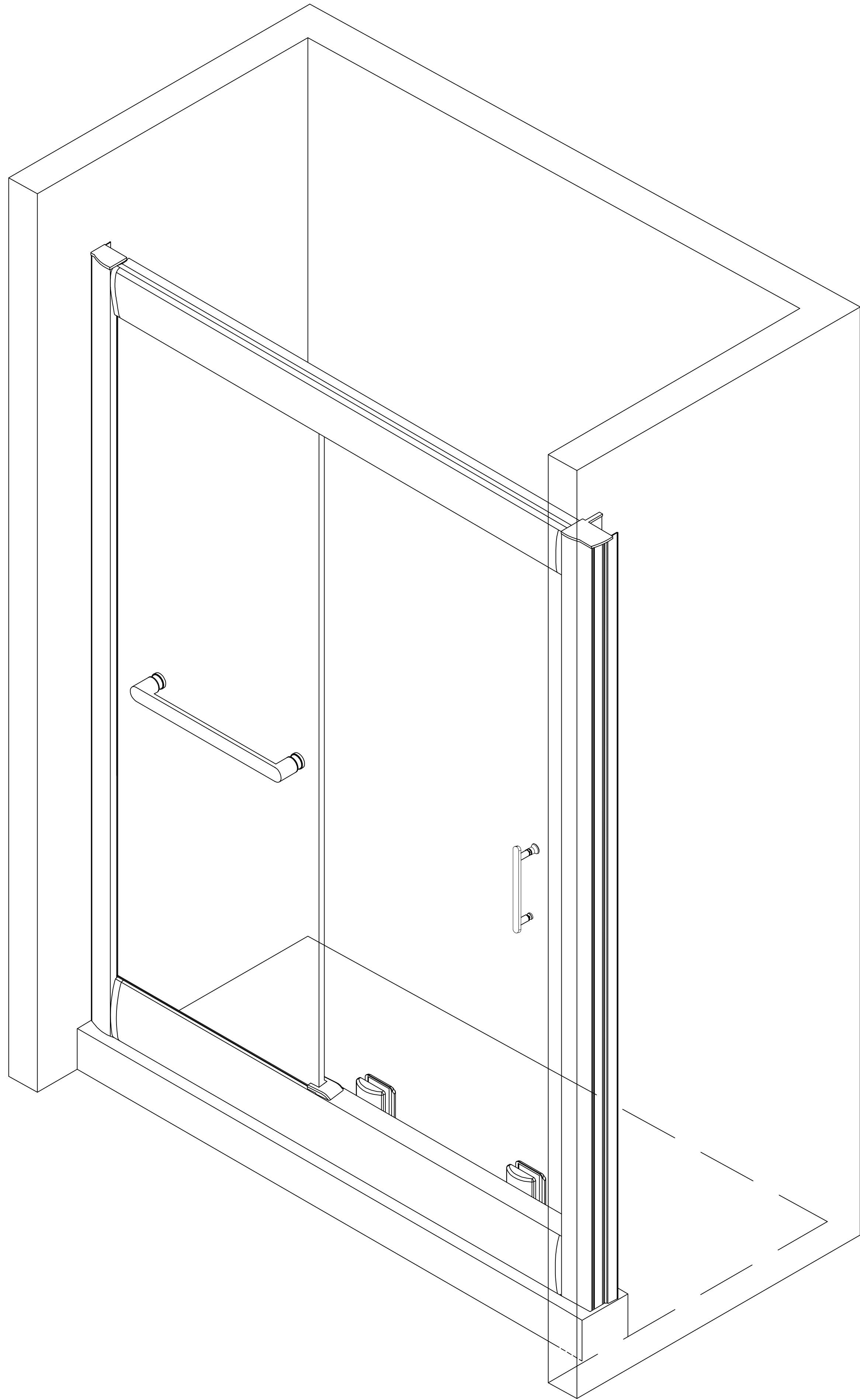
How to adjust the top rollers: adjust the bottom screw of the roller, slide the doors at the same time and check the gap between the magnetic trips until it's alright.



## Left Hand Assembly

### STEP 13

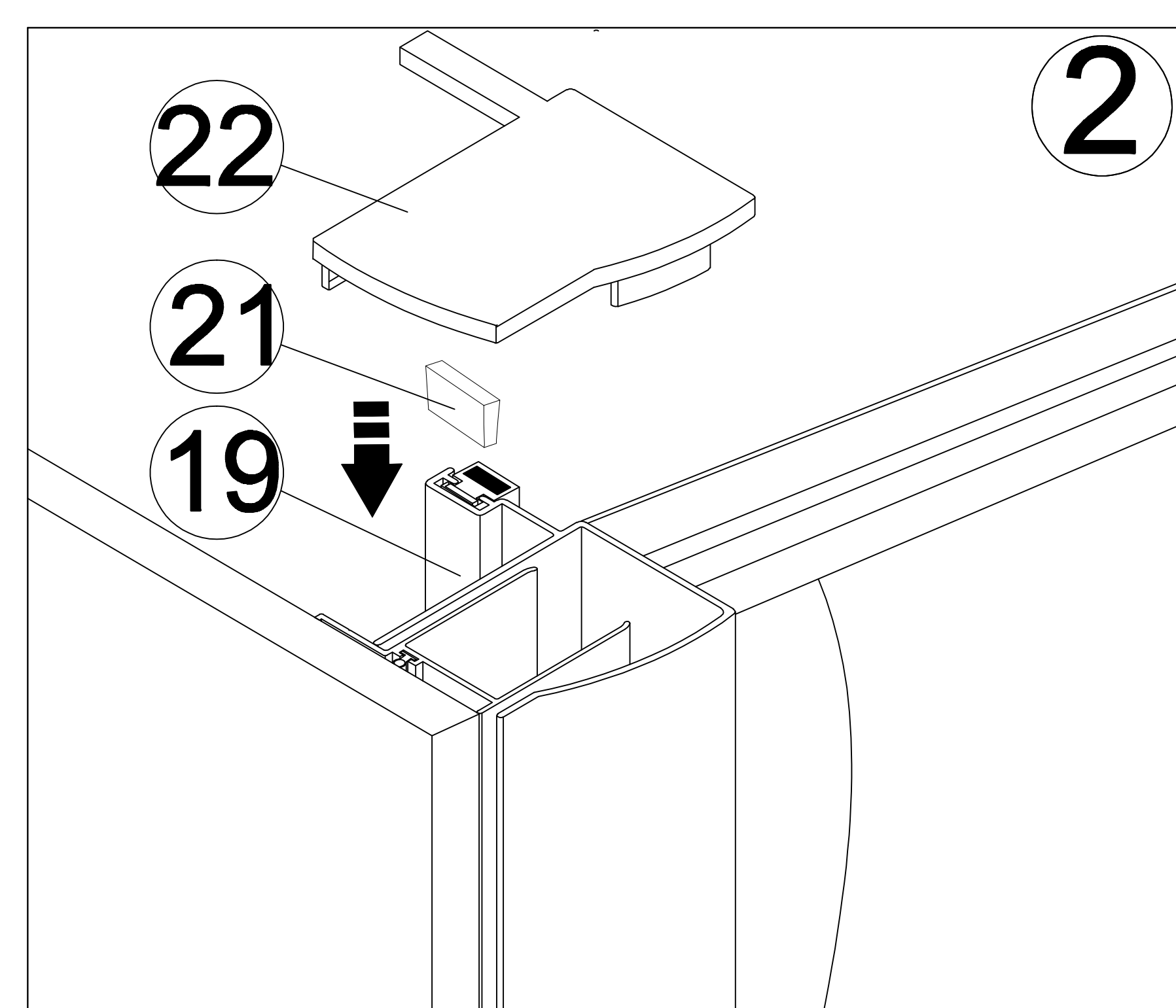
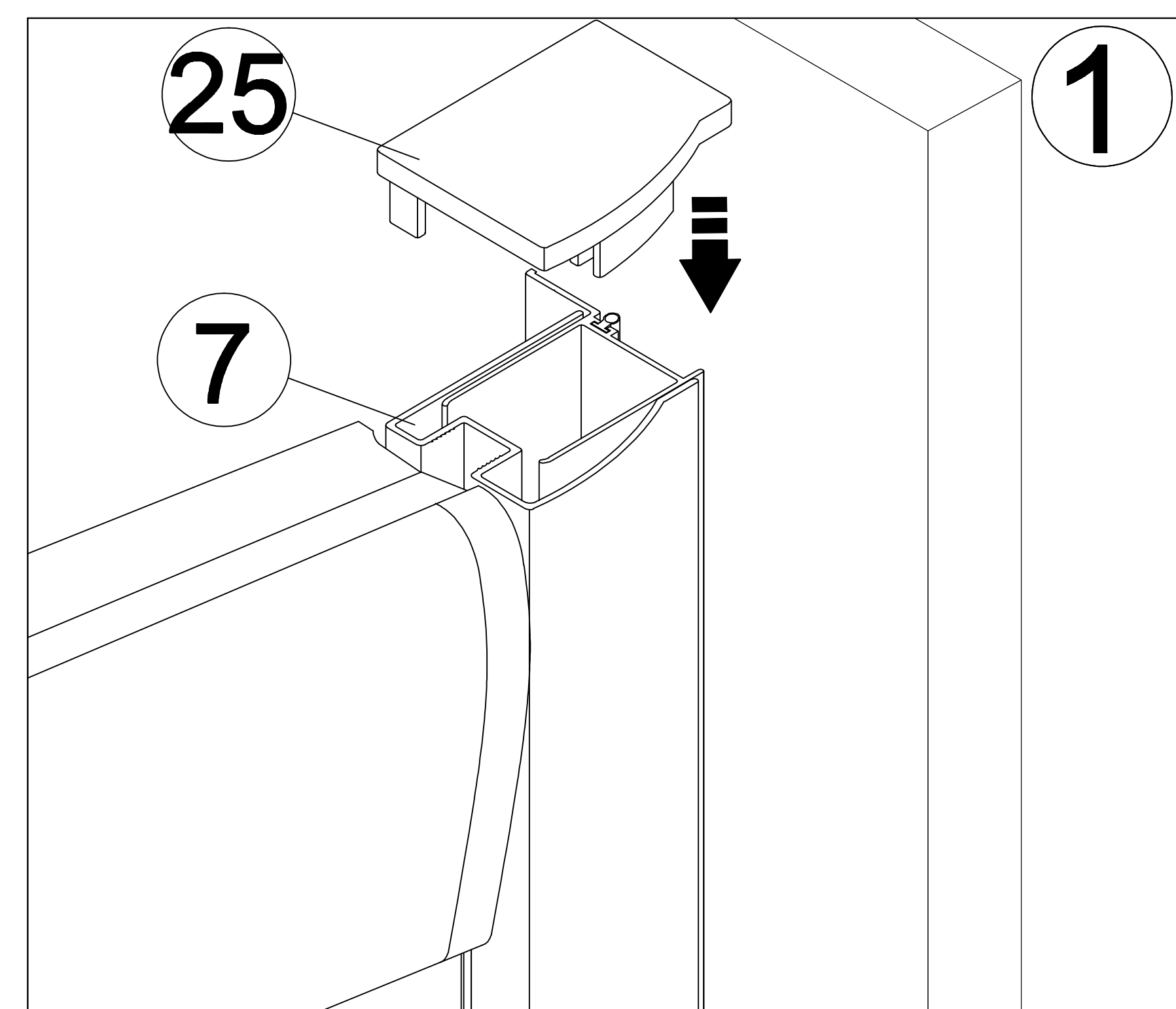
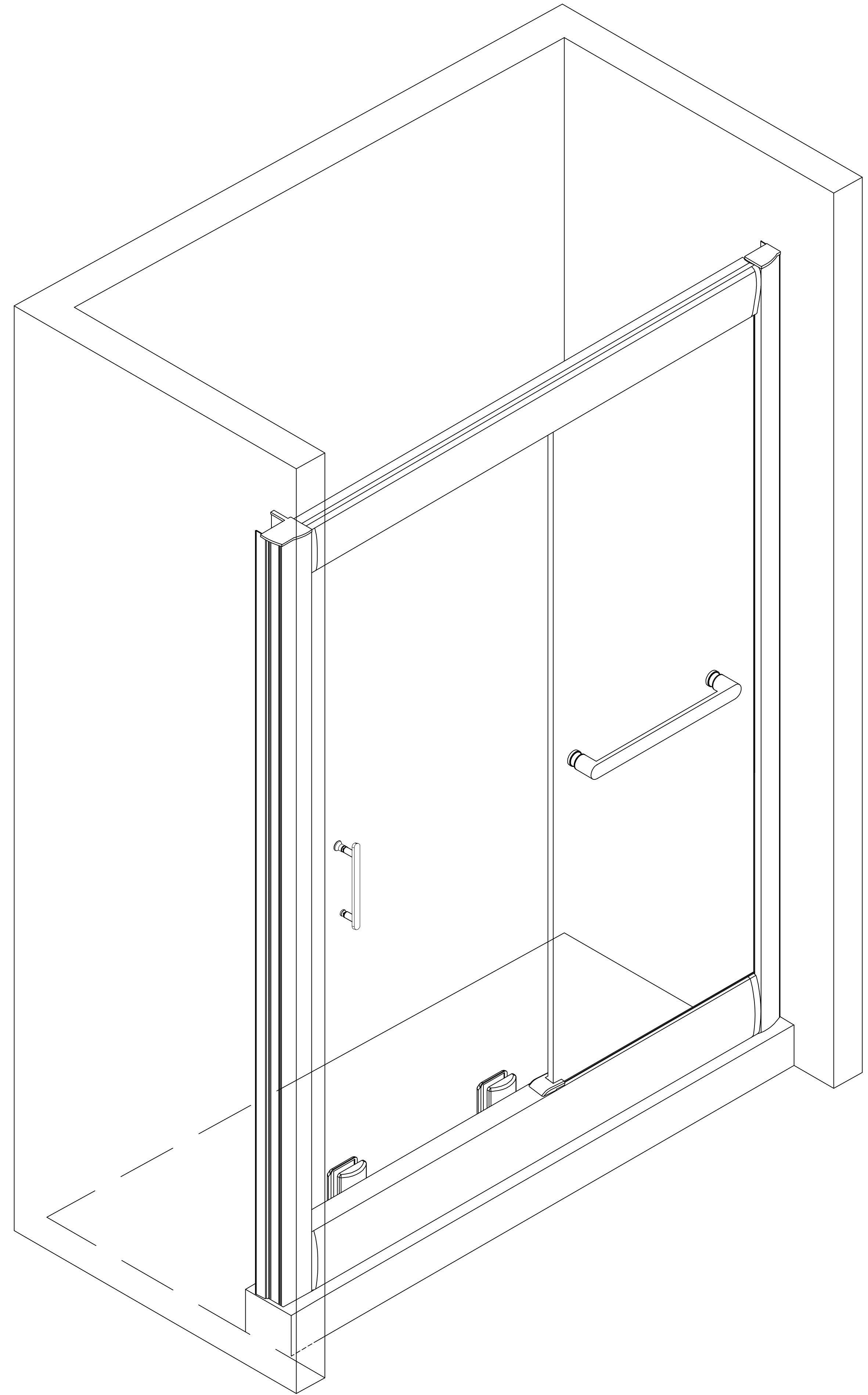
1. Install left wall bracket cover(25) on to wall bracket(7).
2. Fit insert piece(21) into magnetic strip slot of wide wall bracket(19) first and then assemble right-side cover for wide wall bracket(22) onto wide wall bracket(19).



## Right Hand Assembly

### STEP 13

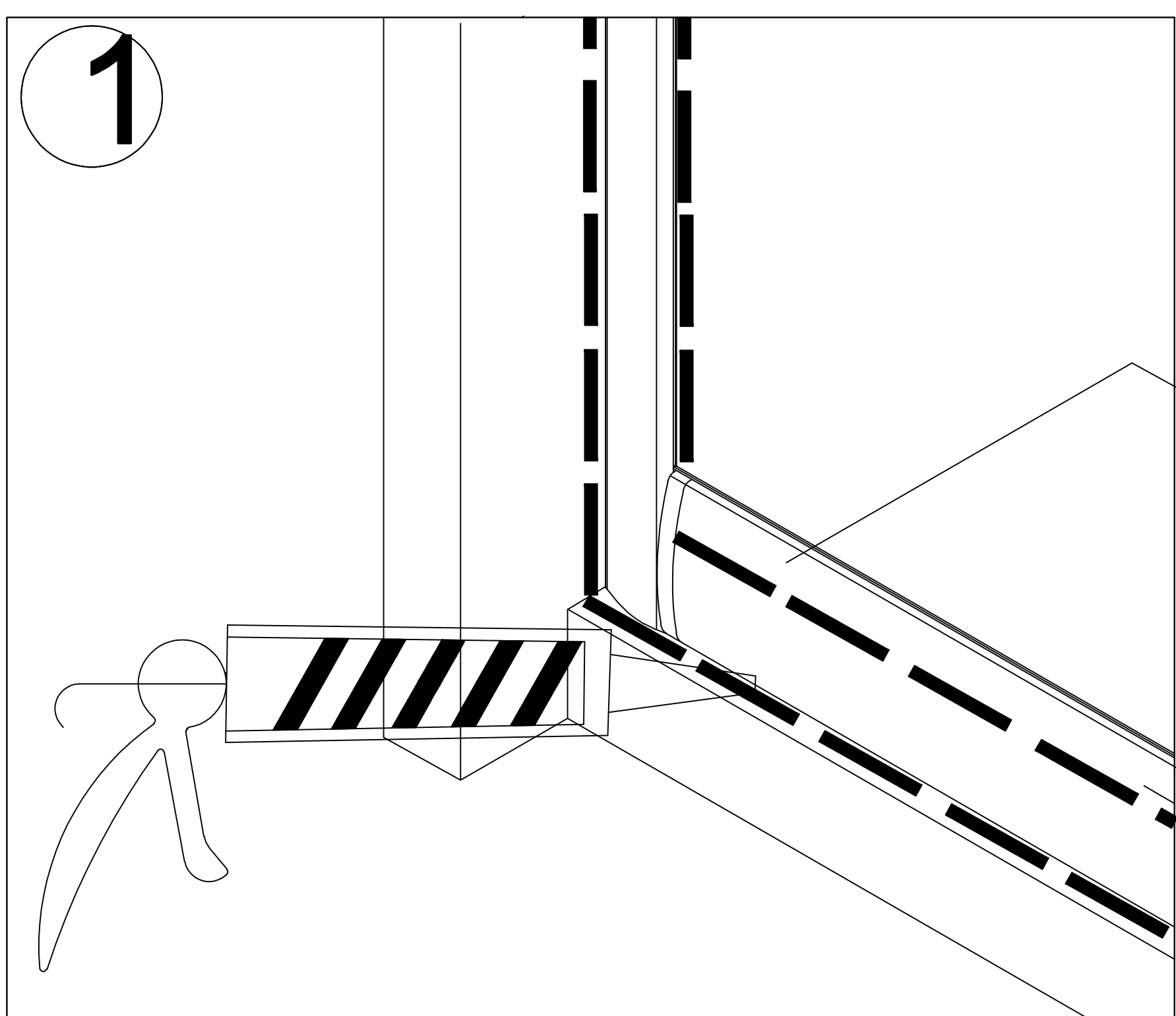
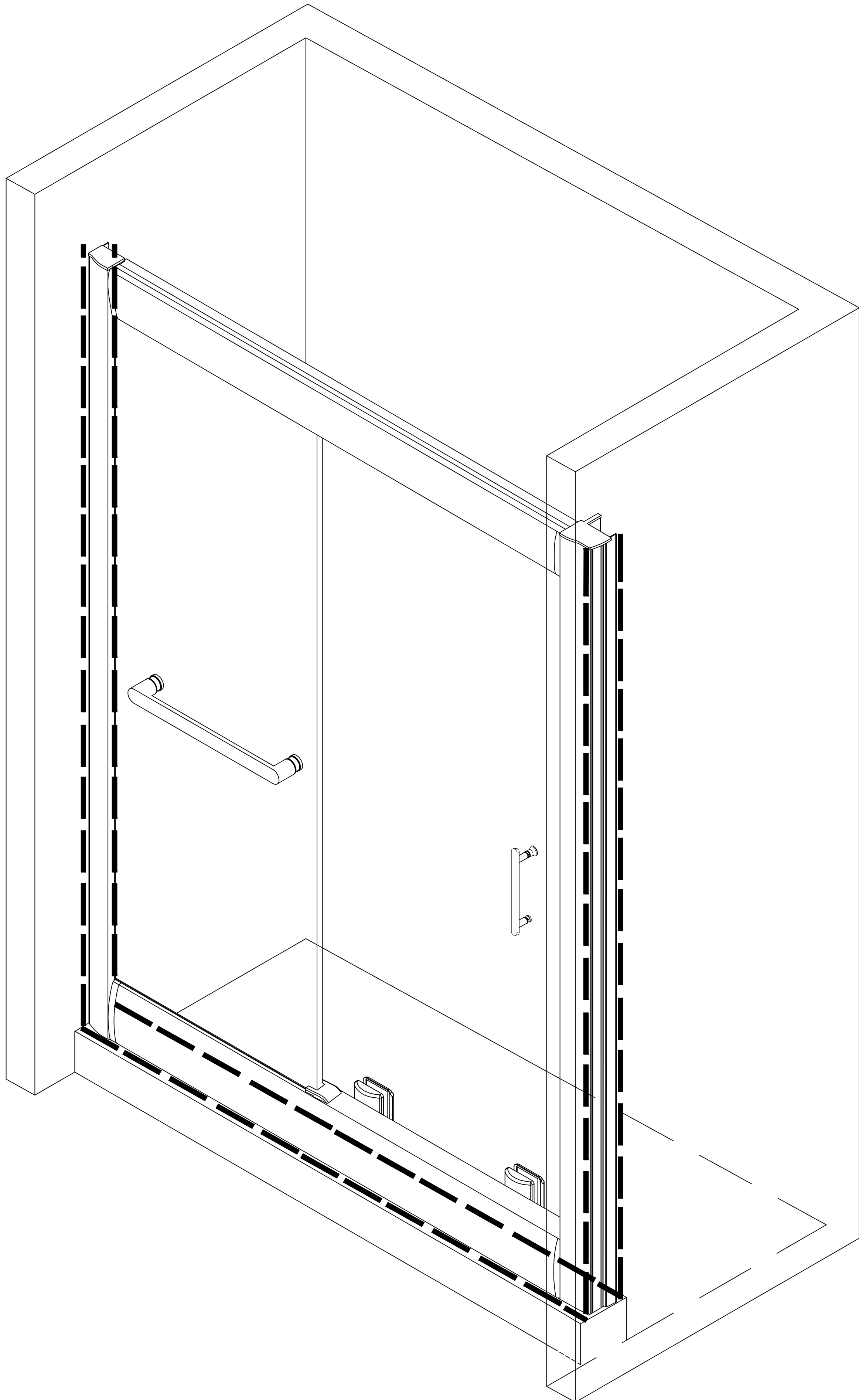
1. Install right wall bracket cover(25) on to wall bracket(7).
2. Fit insert piece(21) into magnetic strip slot of wide wall bracket(19) first and then assemble right-side cover for wide wall bracket(22) onto wide wall bracket(19).



## Left Hand Assembly

### STEP 14

1. Apply qualified mildew resistant silicone along the sides of wall-mounted bracket(6) and shower door track(14). Allow the silicone to dry for 24 hours before using the shower.



## Right Hand Assembly

### STEP 14

1. Apply qualified mildew resistant silicone along the sides of wall-mounted bracket(6) and shower door track(14). Allow the silicone to dry for 24 hours before using the shower.

