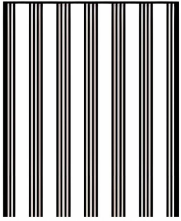
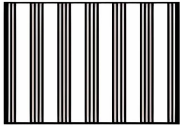
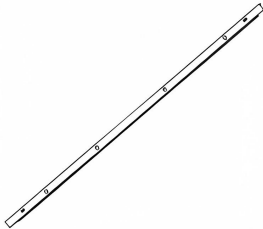


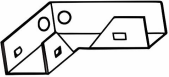
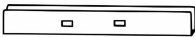
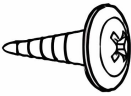
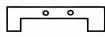



# Installation Instruction

## INSTRUCTION MANUAL

### 3 Tiers Raised Garden Bed

#### Accessories List

 <p><b>A</b> ×10</p>	 <p><b>B</b> ×4</p>	 <p><b>C</b> ×20</p>	 <p><b>D</b> ×4</p>	 <p>Gloves</p>
Long Side Sheet	Short Side Sheet	Long Card Frame	Short Card Frame	Gloves
 <p><b>1</b> ×24</p>	 <p><b>2</b> ×4</p>	 <p><b>3</b> ×16 +1 spare</p>	 <p><b>4</b> ×8</p>	 <p><b>5</b> ×1</p>
Triangle Card Frame	Fixed Card Frame	Screw	Fixed Strip	Small Screwdriver

#### Warm Tips

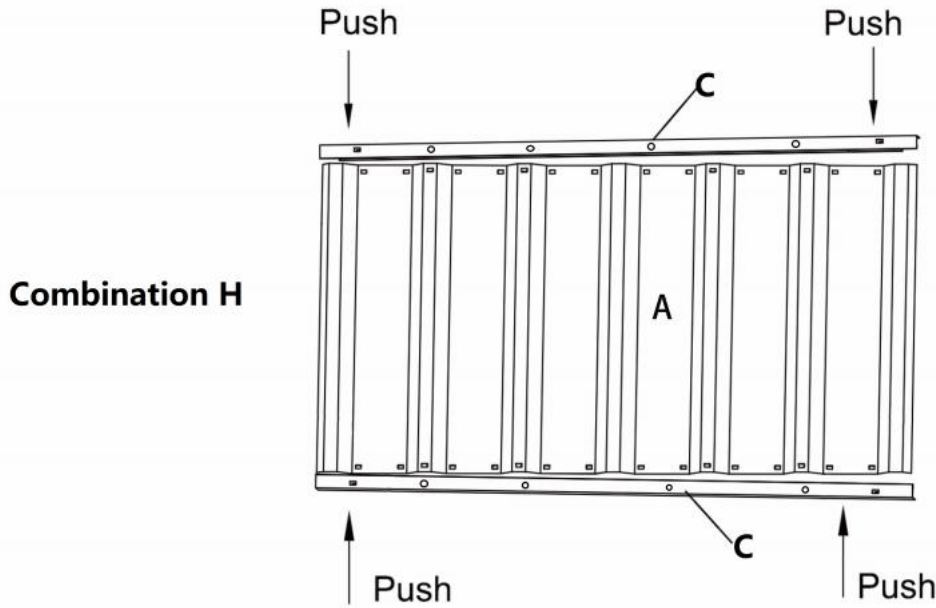
**Tips 1:** It is best to use gloves to protect your hands when installing the Raised Garden Bed.

**Tips 2:** If the packaging is damaged due to transportation and any parts are missing, please contact us in time.

# Installation Instruction

**Step 1:** Install (Push) the long card frame C to the long side sheet A, and make the long card frame C in the middle of the long side sheet A. This installation combination forms Combination H. (Please note the location of the holes of the long card frame C and long side sheet A.)

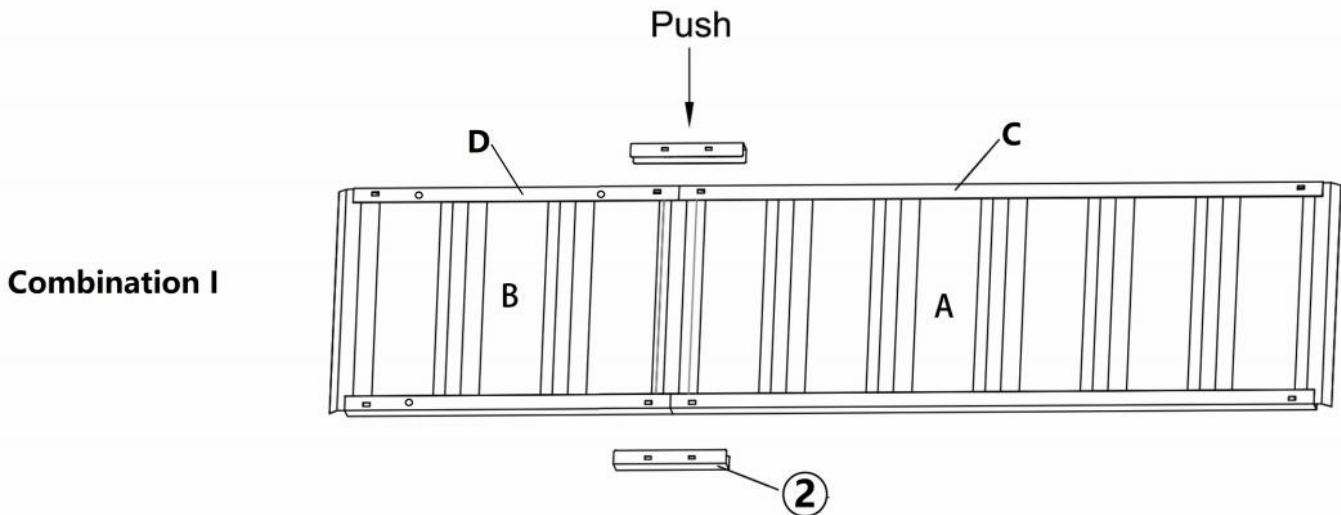
## STEP1 Assemble 8 sets of this combination H



Combination H

**Step 2:** Install (Push) fixed card frame ② to the long card frame C and short card frame D, making sure A and B are correctly connected together. This installation combination forms Combination I.

## STEP2 Assemble 2 sets of this combination I

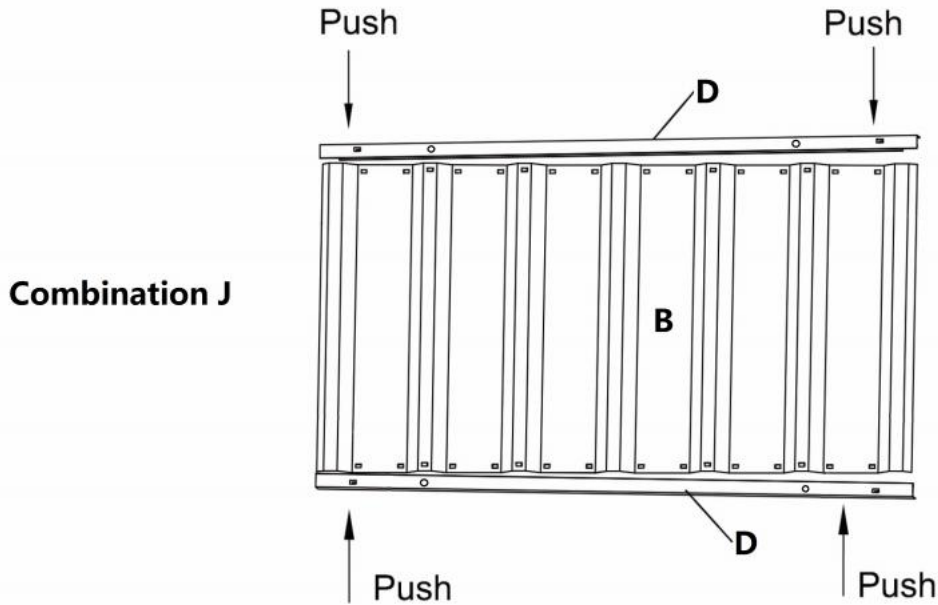


Combination I

# Installation Instruction

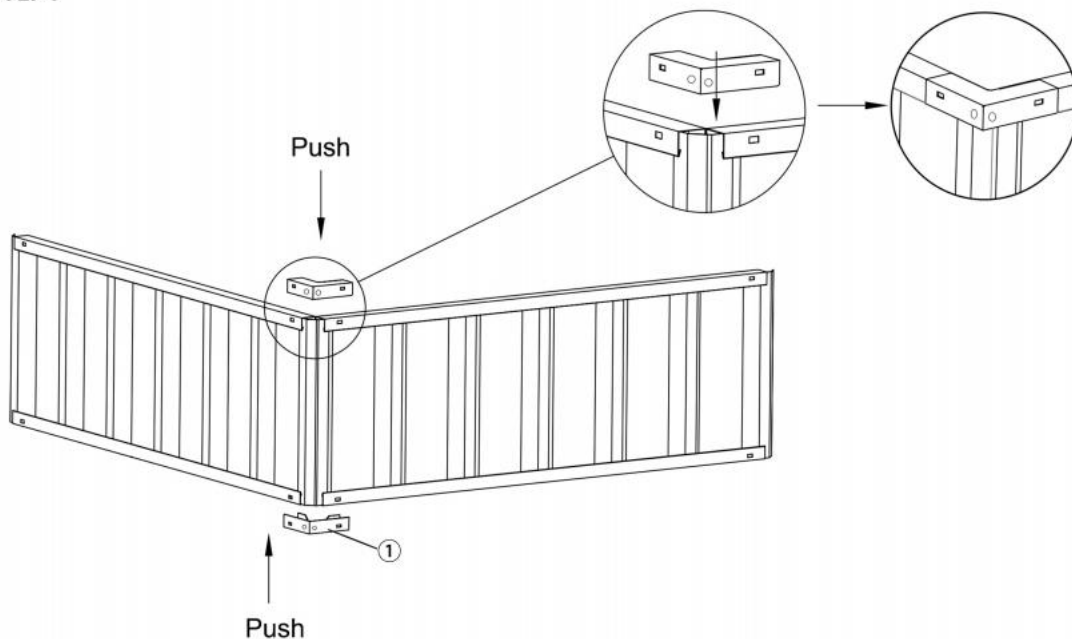
**Step 3:** Install (Push) the short card frame D to the short side sheet B, and make the short card frame D in the middle of the side sheet B. This installation combination forms Combination J. (Please note the location of the holes of the short card frame D and short side sheet B.)

## STEP3 Assemble 2 sets of this combination J



**Step 4:** Install triangle card frame ① and do the bottom corner first (Connect one side first, then the other. Then go for the top corner.

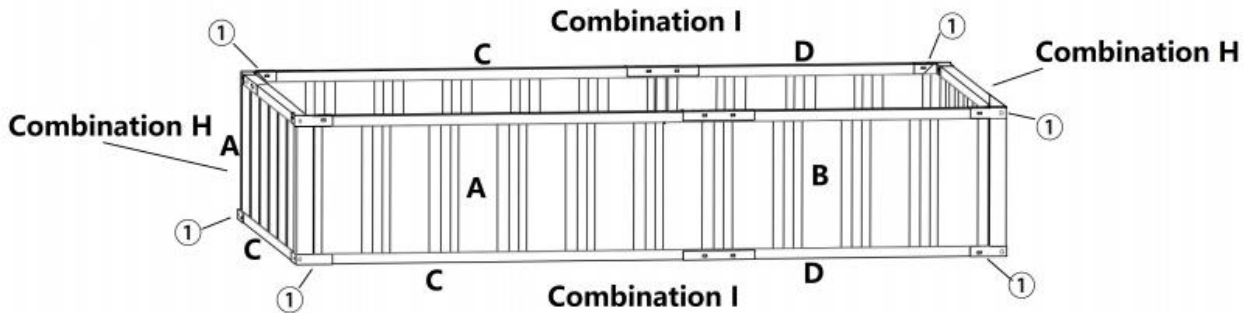
## STEP4



# Installation Instruction

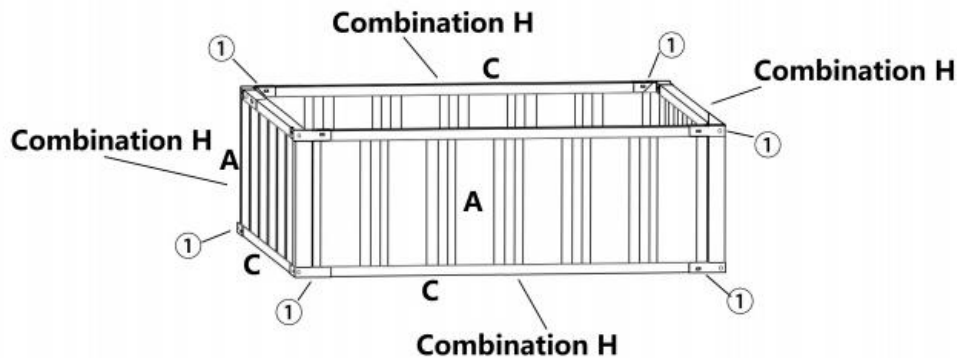
**Step 5:** To install the first layer of raised garden bed, you need 2\*Combination H and 2\*Combination I, use the method in step 4 to connect.

## STEP5 Assemble the first layer



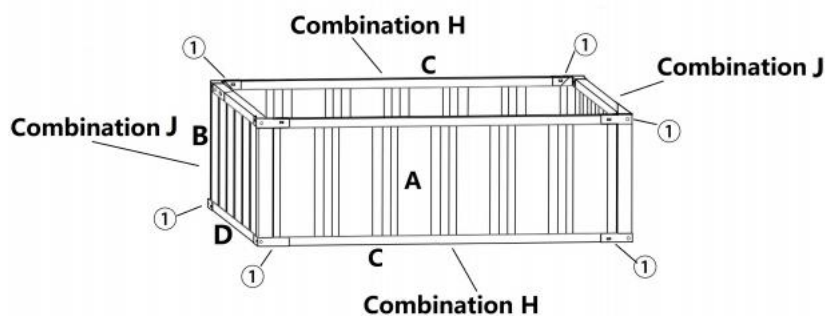
**Step 6:** To install the raised garden bed on the second floor, you need 4\*Combination H and use the method in step 4 to connect.

## STEP6 Assemble the second layer



**Step 7:** To install the raised garden bed on the third floor, you need 2\*Combination H and 2\*Combination J, connect them using the method in step 4.

## STEP7 Assemble the third layer



# Installation Instruction

**Step 8:** Stack the three raised garden beds as shown in the picture below (Note that they need to be stacked above the short side sheet of the first layer), and then connect them firmly with fixing Strips ④ and screws ③. There are a total of 8 positions that require screw fixation.

## SETP8

