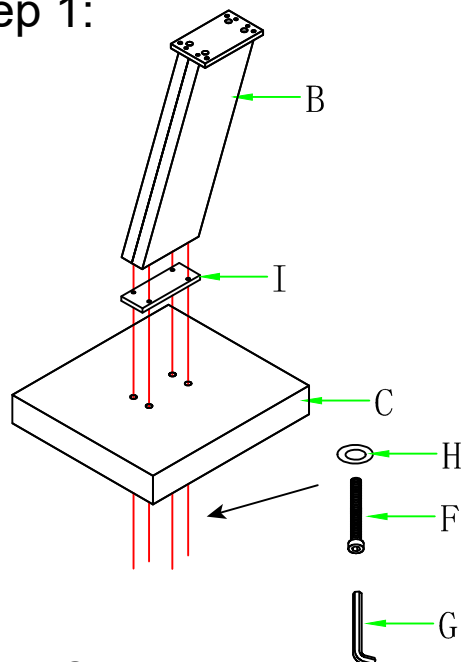


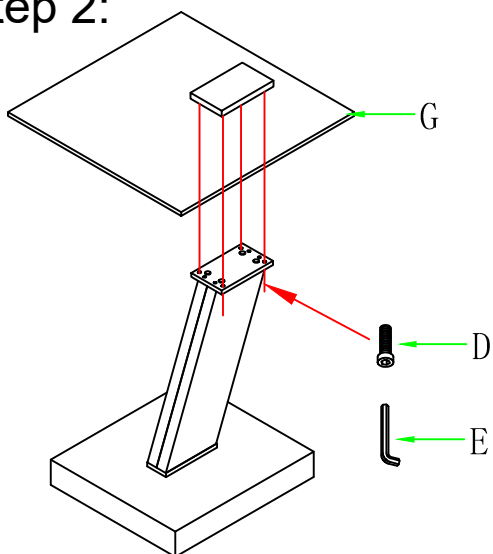
# ASSEMBLY INSTRUCTION

Thank you for purchasing this quality product, be sure to check all the packing materials carefully. when you received, please pay attention to the products, which may cause deformed during the shipment.

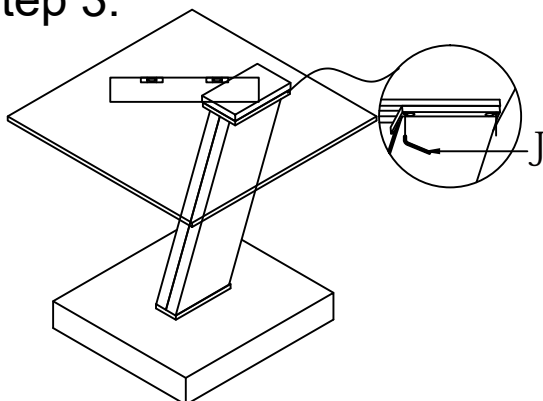
## Step 1:



## Step 2:



## Step 3:



## PART LIST:

NO.	Description	Sketch	Quantity
A	Table top		1pc
B	Table top		1pc
C	Table base		1pc

## HARDWARE LIST:

NO.	Description	Sketch	Size	Quantity
D	Bolt		M6*10	4pcs
E	Allen key		5mm	1pc
F	Bolt		M8*60	4pcs
G	Allen key		6mm	1pc
H	Plate		φ17*φ8*1.5	4pcs
I	Metal plate		150*90*15mm	1pc
J	Allen key		3mm	1pc

## Finished:

