

Jefferson Mailbox System *Installation Instructions*

ADDRESSES OF DISTINCTION
MAILBOXES + STREET SIGNS. INSTALLED.

Tools Required: phillips head screw driver, 7/16" wrench or pliers, and allen key.

STEP 1 (Fig 1)

Place (2) Bolts through the top of the Number Plate. Slide the (2) Washers onto the bolts, then place bolts through the pre-drilled holes on top of the Mailbox. Open the mailbox and tighten the (2) Wing Nuts on to the bolts. See *Illustration A1*

Illustration A1

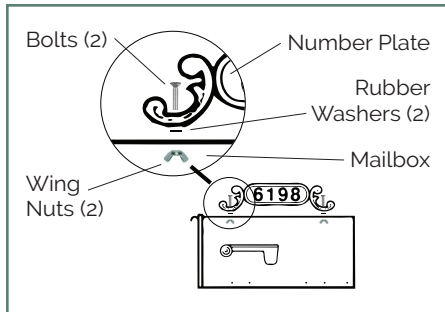
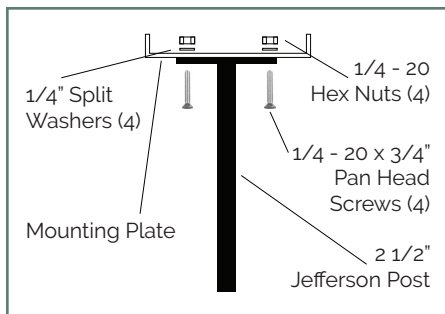


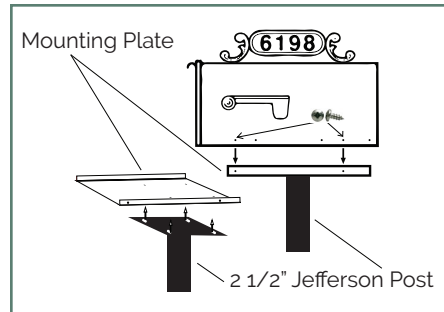
Illustration A2



STEP 2 (Fig 1)

Position **Mounting Plate** on top of **2 1/2" Jefferson Post**. Insert (4) **1/4 - 20 x 3/4" Pan Head Screws** through the bottom of mailbox pole into the mounting plate and secure with (4) **1/4" Split Washers** and (4) **1/4 - 20 Hex Nuts**. See *Illustration A2*

(Fig 1)



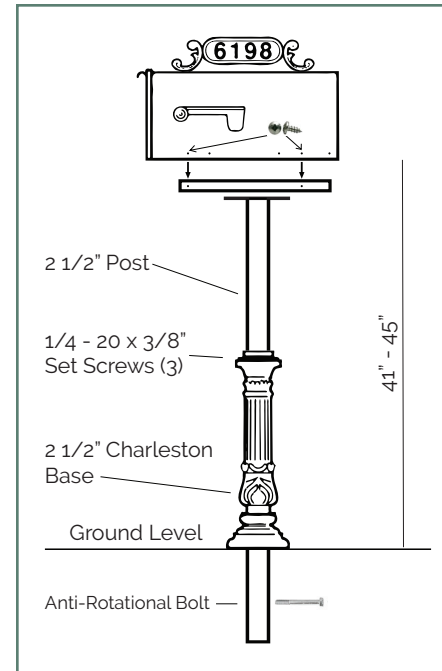
STEP 3 (Fig 2)

Attach the mailbox and number plate assembly from Step 1 to the mounting plate from Step 2 using (4) **Type A Screws**. Insert screws into the corresponding pre-drilled holes on the sides of mailbox and mounting plate and tighten.

STEP 4 (Fig 2)

Finish the look of your mailbox by sliding the **2 1/2" Charleston Base** onto the post from the bottom. Secure base with (3) **1/4 - 20 x 3/8" Set Screws** after the system is installed. Place (1) **Anti-Rotational Bolt** near bottom of pole to secure in concrete. Your mailbox is ready to be installed in the ground.

(Fig 2)



Jefferson Mailbox System



YOUR MAILBOX PARTS

2 1/2" Jefferson Post
2 1/2" Charleston Base
Mounting plate
Mailbox

Number Plate
(4) 1/4 - 20 x 3/4" Pan Head Screws
(4) 1/4" Split Washers
(4) 1/4 - 20 Hex Nuts

(4) Type A Screws
Number Plate Hardware
(2) Bolts
(2) Washers

(2) Wing Nuts
(3) 1/4 - 20 x 3/8" Set Screws
(1) Anti-Rotational Bolt

SUPPORT + FAQs

For Installation Tips:
aodmailboxes.com/installvideo

If I have questions, who can help? Call us at **1-800-436-1647**
or email us at support@aodmailboxes.com.

What's the story of your company?

Addresses of Distinction was founded by two brothers from Georgia over a decade ago. While shopping for a mailbox, they were surprised how difficult it was to find a high quality mailbox that could stand the test of time. This led them to create a line of mailboxes that created a long lasting, first impression. They make decisions based on one simple rule - Would they be proud selling the mailbox to their family or best friends?

How do I care for my mailbox?

Occasionally your mailbox may need cleaning. We suggest washing it with a mild, non-abrasive soap using a soft cloth or brush. Make sure to thoroughly rinse all the soap off the mailbox. If you are using brass numbers, they may be cleaned with a brass cleaner such as Brasso.

What if my mailbox is damaged at some future point?

All of our mailboxes are bolted together so parts can be easily replaced. Simply call the number on the inside of the door and our team will be happy to help you bring your mailbox back to life.

Do you install with concrete?

All mailboxes installed by Addresses of Distinction are installed using concrete. We warranty all installations for a period of one year. When your mailbox is installed, please wait 24 hours before applying pressure to the post, as it takes some time for the concrete to fully cure.