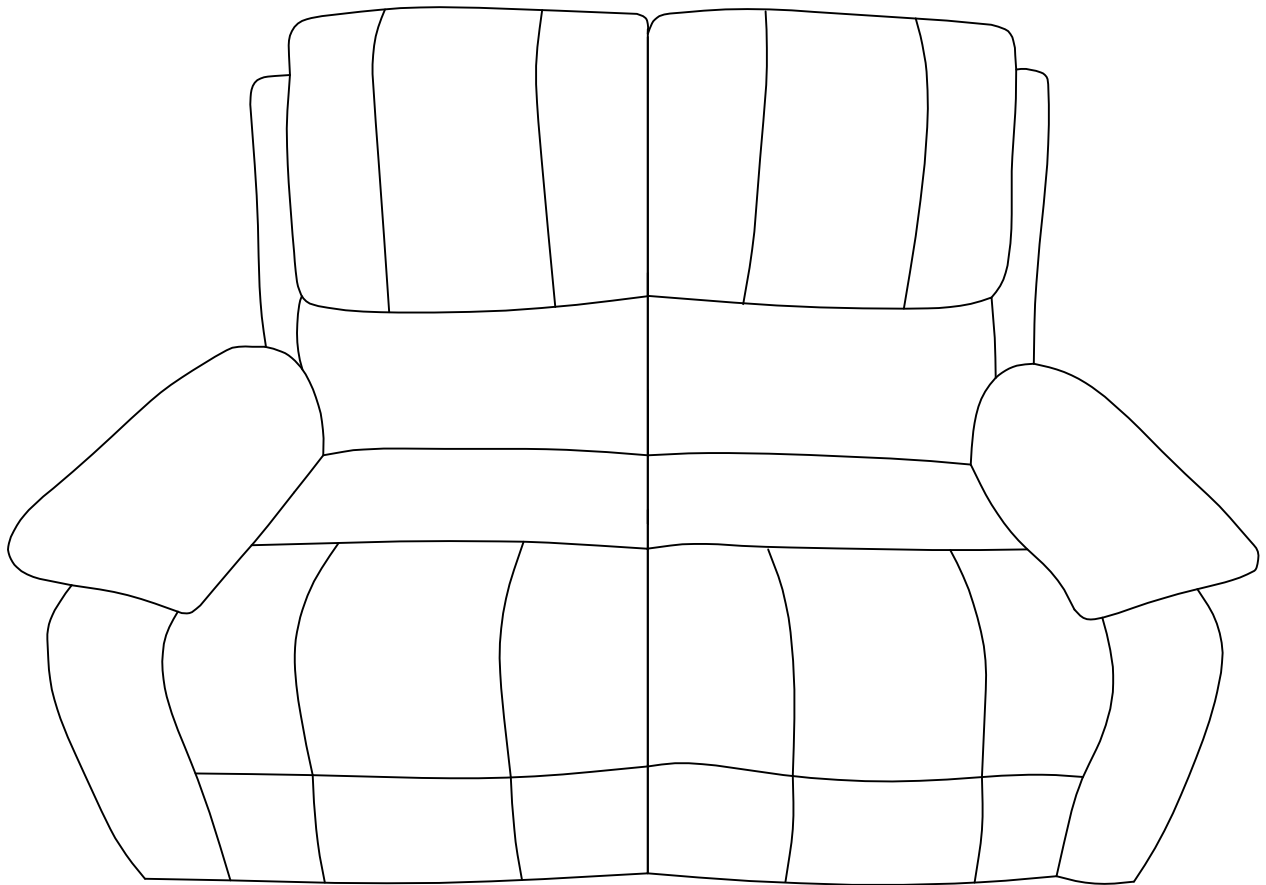
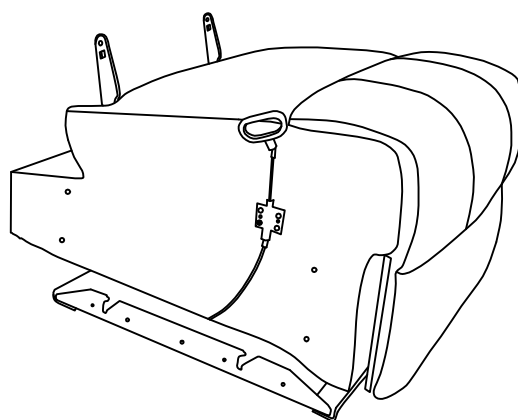
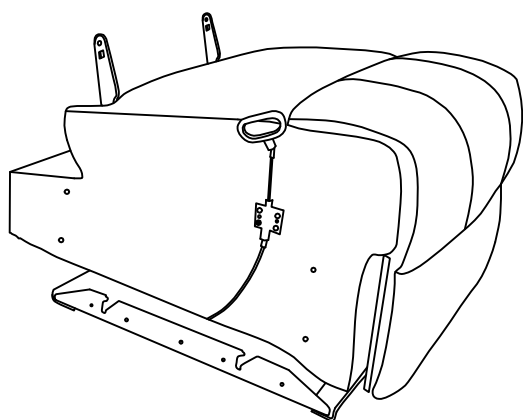
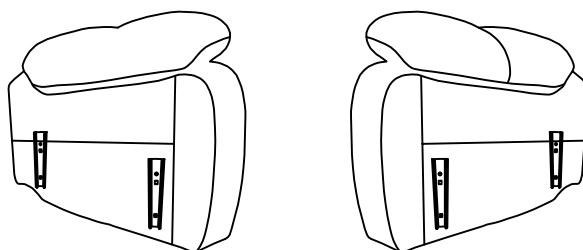
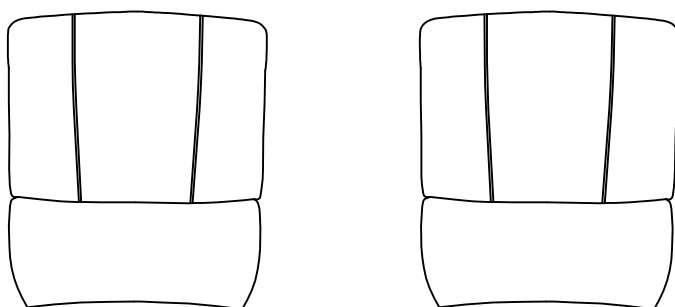
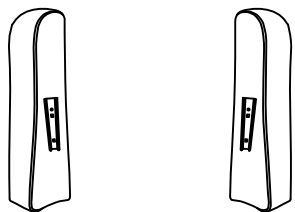


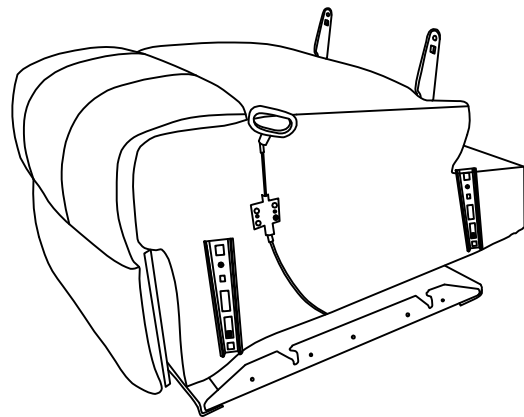
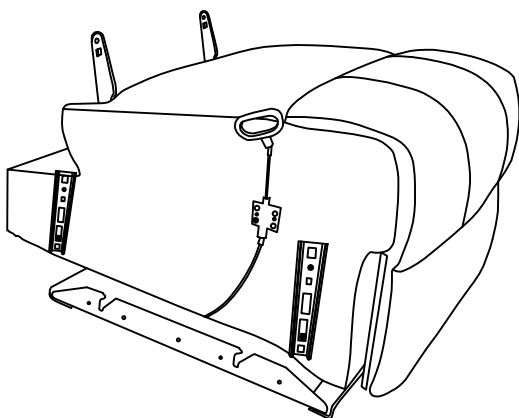
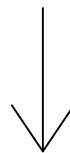
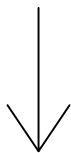
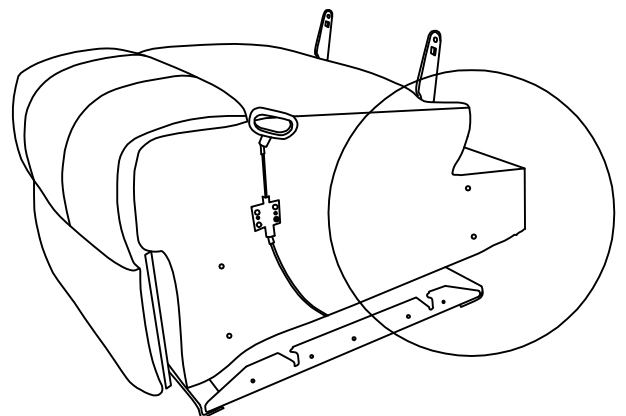
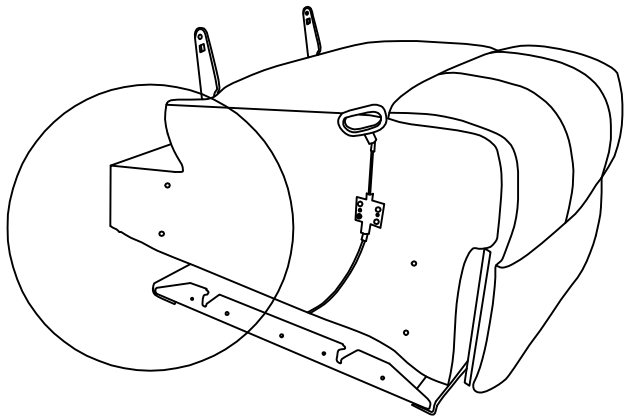
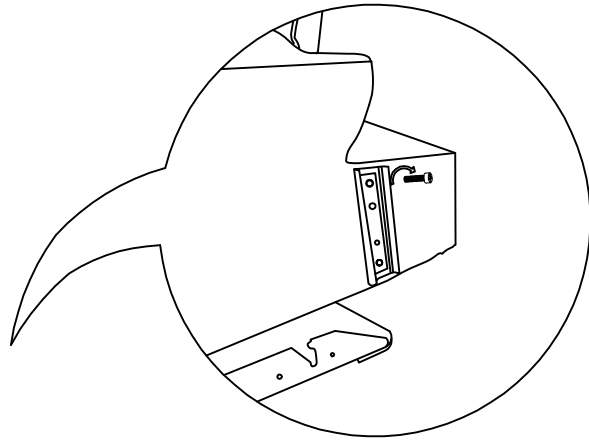
Loveseat



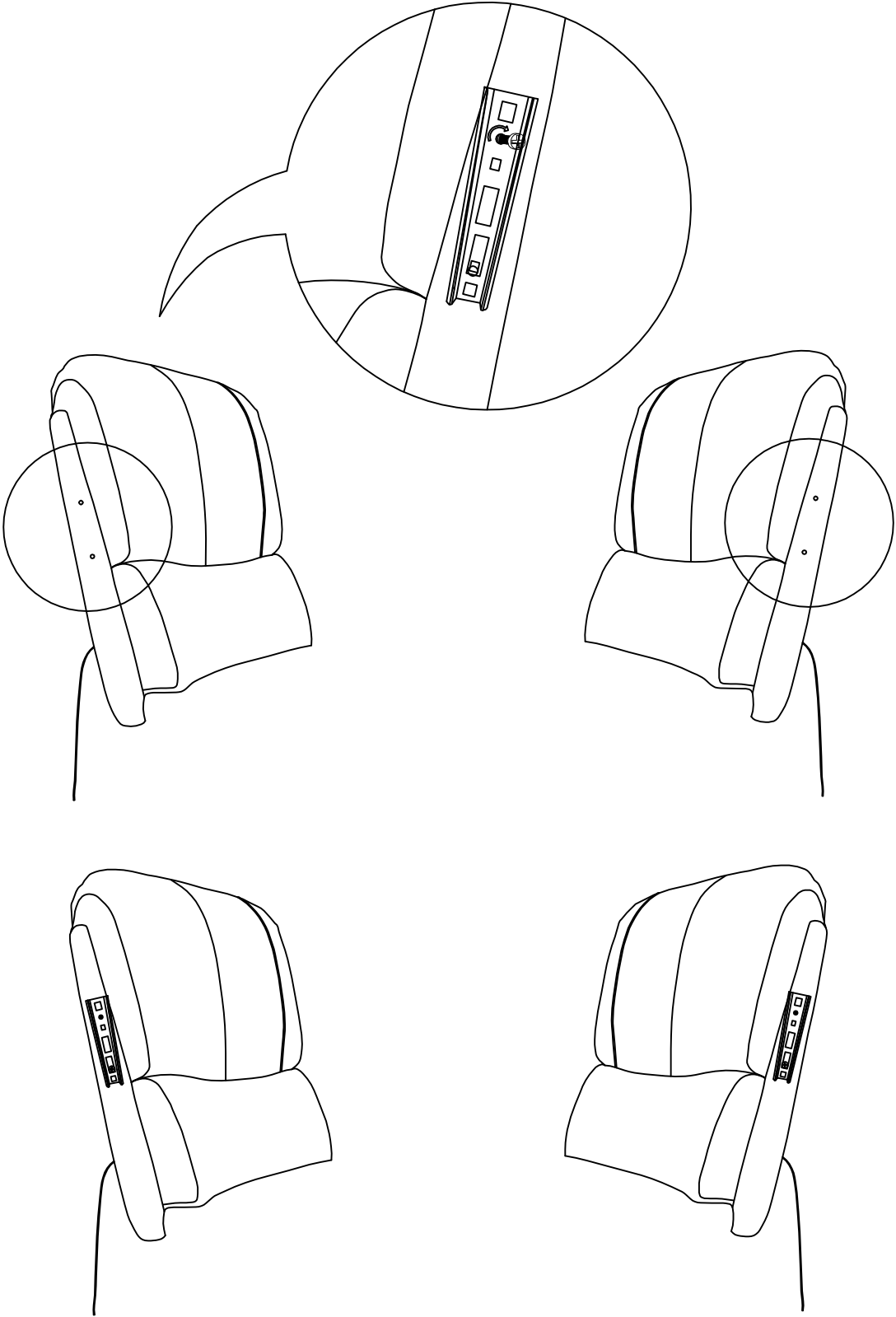
Hello, you shall receive the following parts for two seat Recliner.



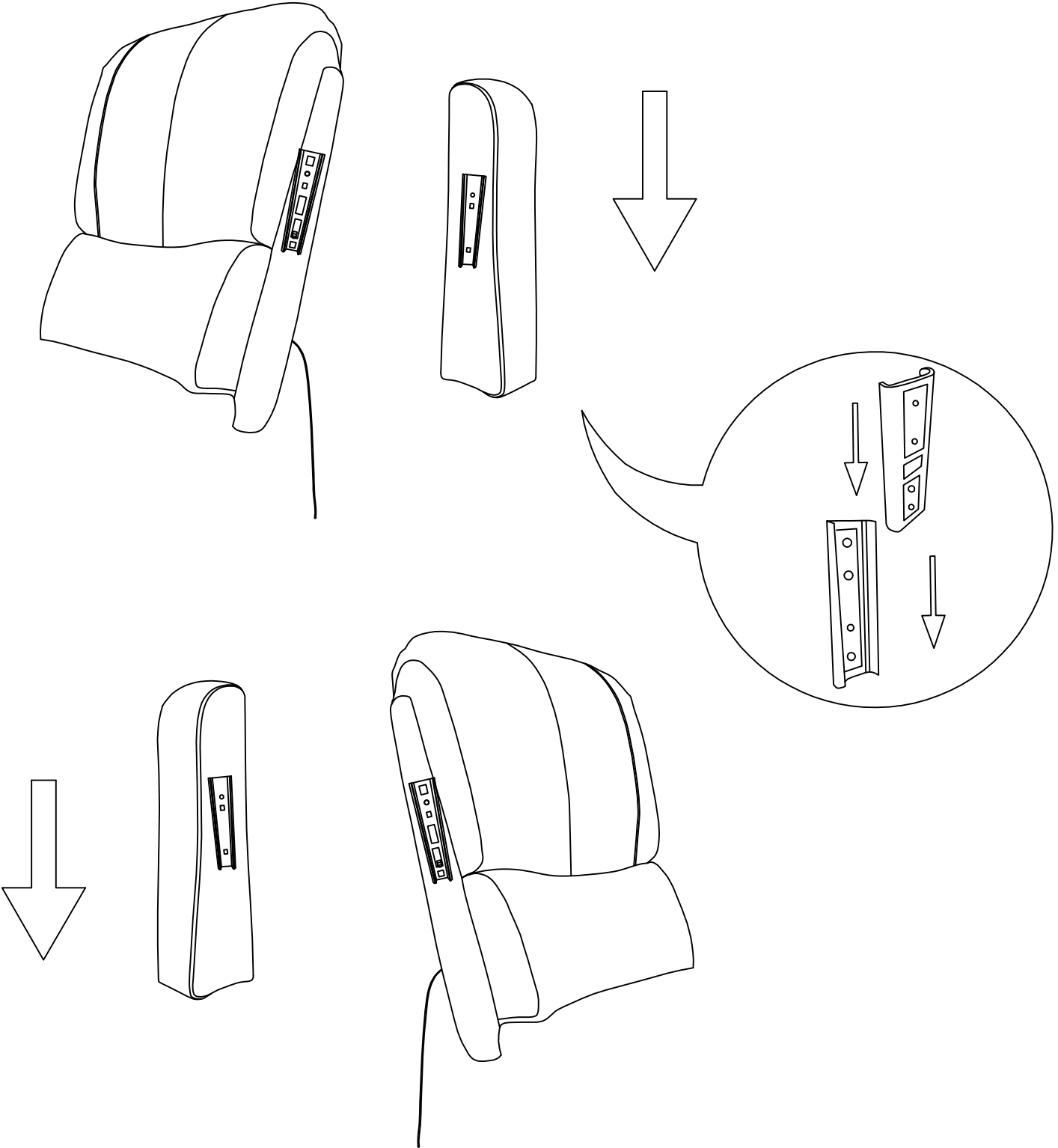
A pair of inserts should be placed on each side of the chair seat.



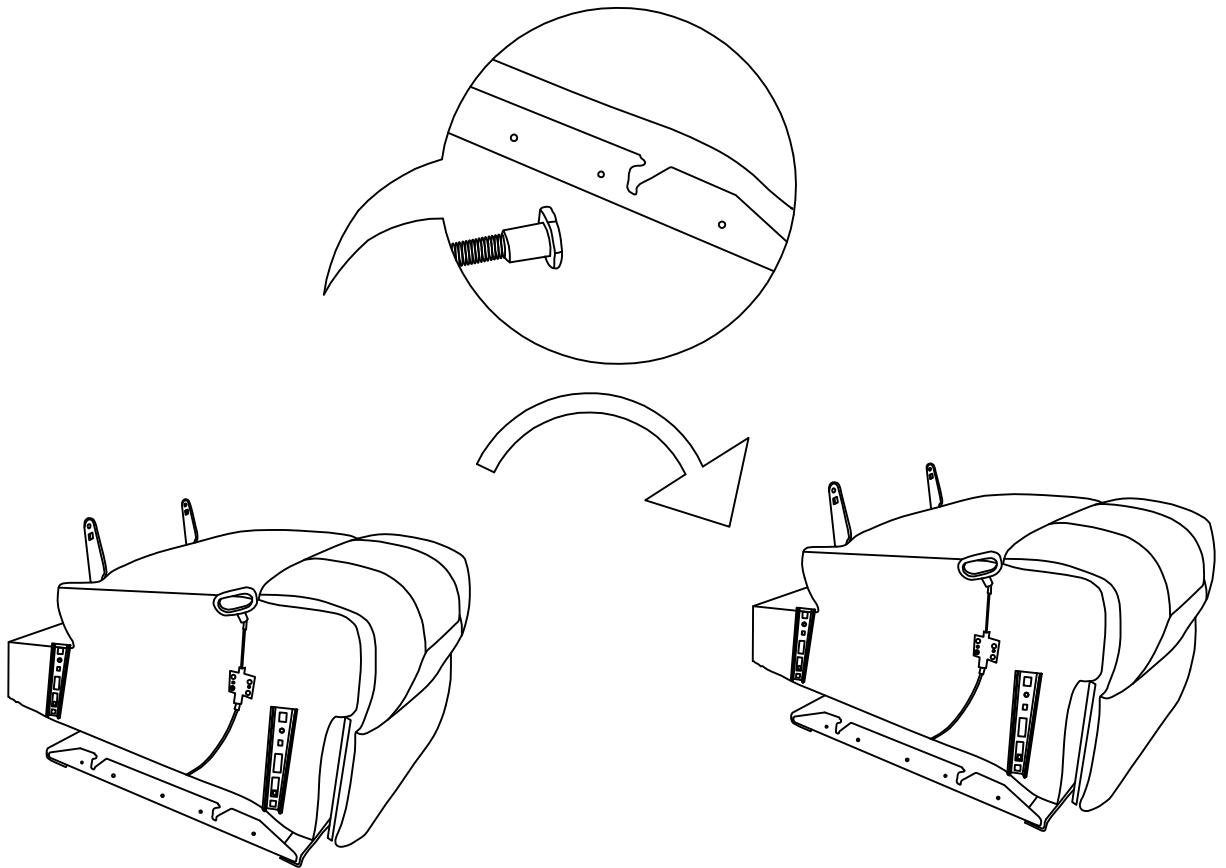
Place one insert on each side of the sides of the back.



Seat back assembly (Align the plug-in and the rear buckle.



Seat assembly (Assembling two seats together)



Seat body assembly (Place the seat back into the chair)

