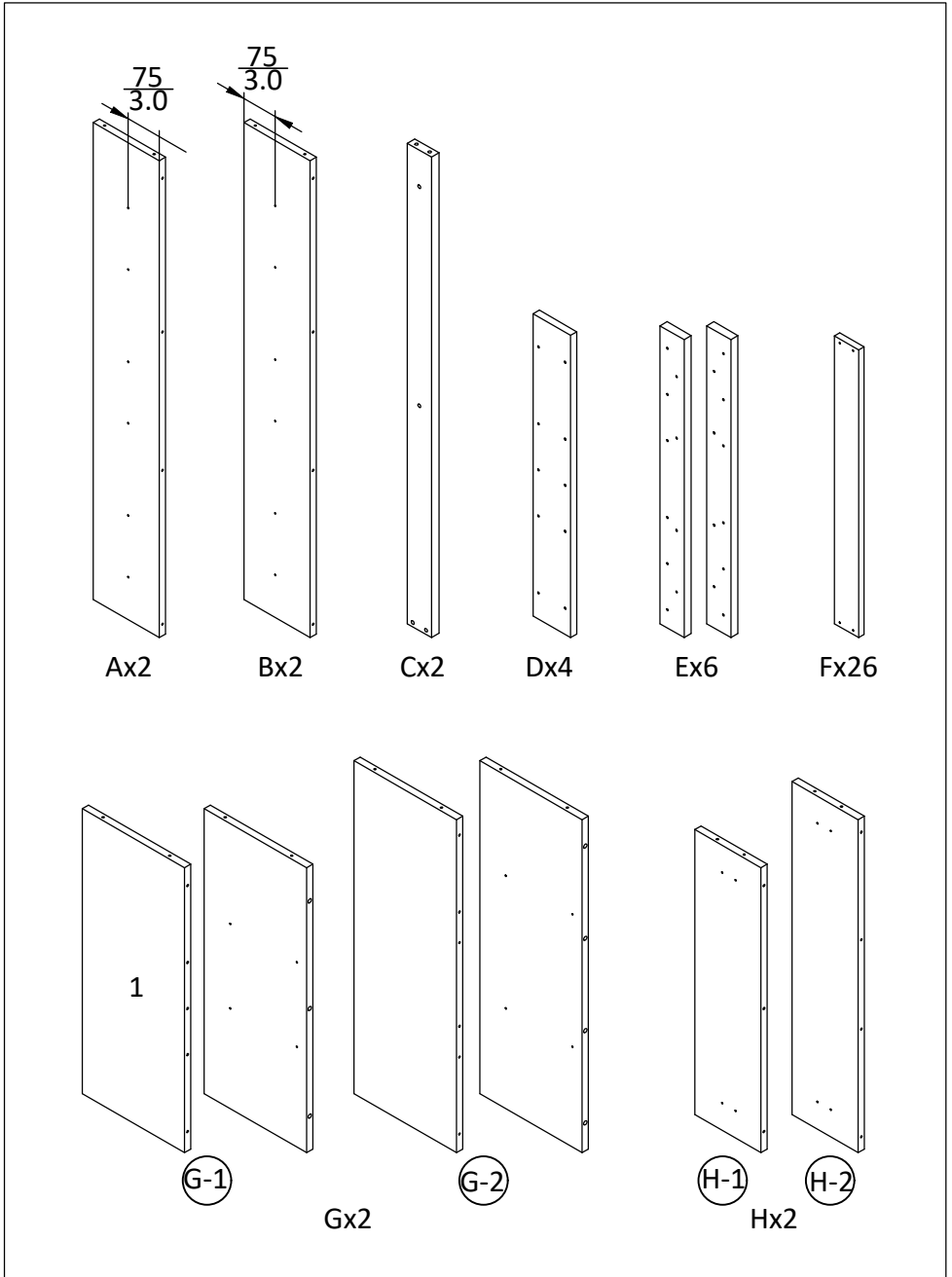
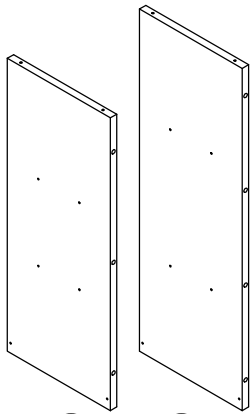


Installation & Assembly

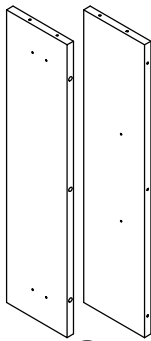




I-1

I-2

Ix2



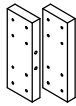
J-1

J-2

Jx2



Kx4



Lx2



Mx8



Nx2



Ox1



P-1



P-2

Px2



Q-1

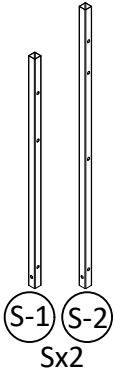


Q-2

Qx4



Rx2



Sx2



Tx2



Ux3



Vx2



Wx2



Xx1

	SKU
G-1	002021
	091021
	091531
G-2	002041
	002051
	002061
	002081
	091041

	SKU
H-1	002021
	091021
	091531
H-2	002041
	002051
	002061
	002081
	091041









	SKU
I-1	002021
	091021
	091531
I-2	002041
	002051
	002061
	002081
	091041

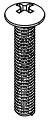
	SKU
J-1	002021
	091021
	091531
J-2	002041
	002051
	002061
	002081
	091041

	SKU
P-1	002021
	091021
	091531
P-2	002041
	002051
	002061
	002081
	091041

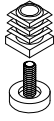
	SKU
Q-1	002021
	091021
	091531
Q-2	002041
	002051
	002061
	002081
	091041

	SKU
S-1	002021
	091021
	091531
S-2	002041
	002051
	002061
	002081
	091041

SKU	DVL 002021	DVL 002041	DVL 002051	DVL 002061	DVL 002081	DVL 091021	DVL 091041
Y  M8x $\frac{50}{2.0}$	x12	x16	x16	x16	x16	x12	x16
							DVL 091531
							x12
Z  M5x $\frac{40}{1.6}$	x82	x90	x90	x90	x90	x82	x90
							x82
 M6x $\frac{40}{1.6}$ AAx2	 M3 ABx1	 M6 ACx1	 M7x $\frac{50}{2.0}$ ADx8	 AEx61	 AFx61		



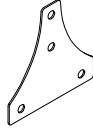
AGx14



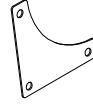
AHx8



Alx4



AJx16



AKx8



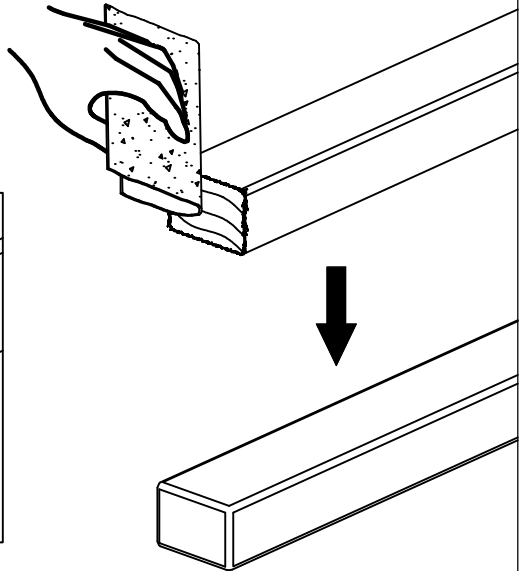
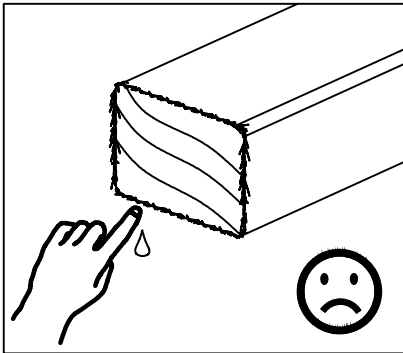
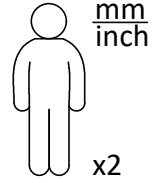
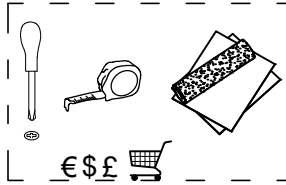
M3.5x $\frac{28}{1.1}$
ALx1



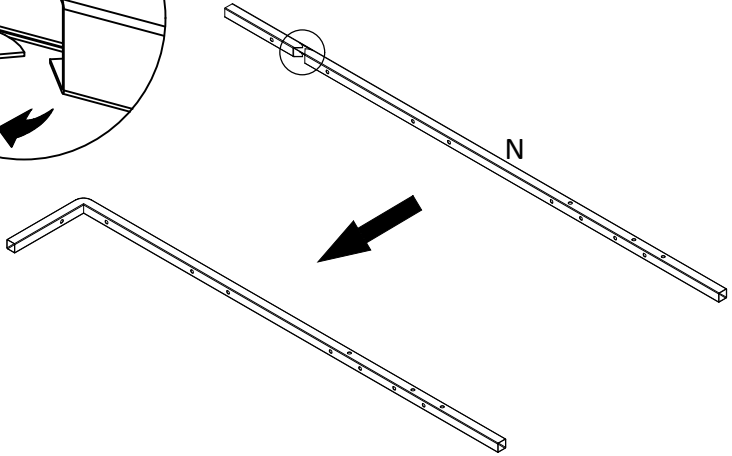
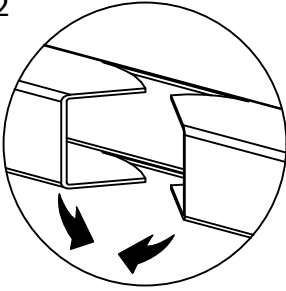
M3.5x $\frac{28}{1.1}$
AMx220



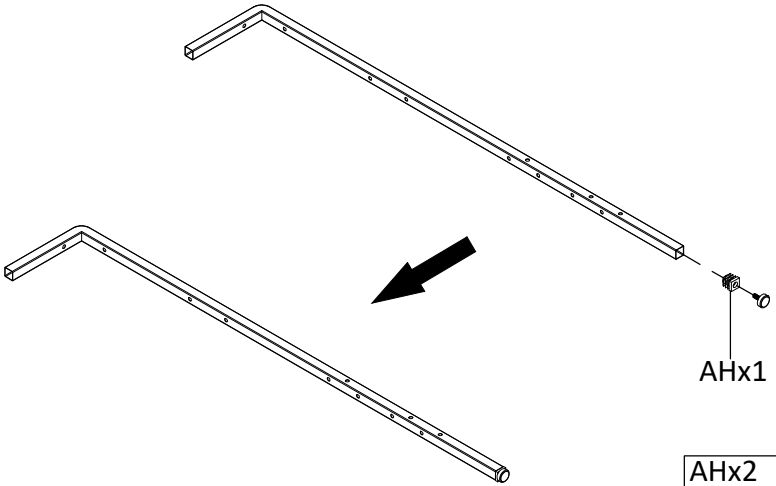
M3.5x $\frac{12}{0.5}$
ANx4



① x2



② x2

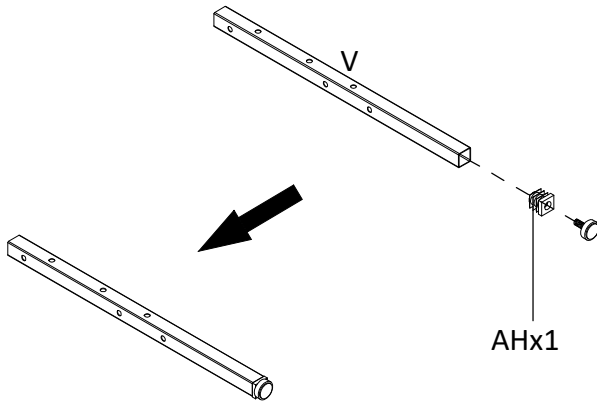


AHx1

AHx2



③ x2



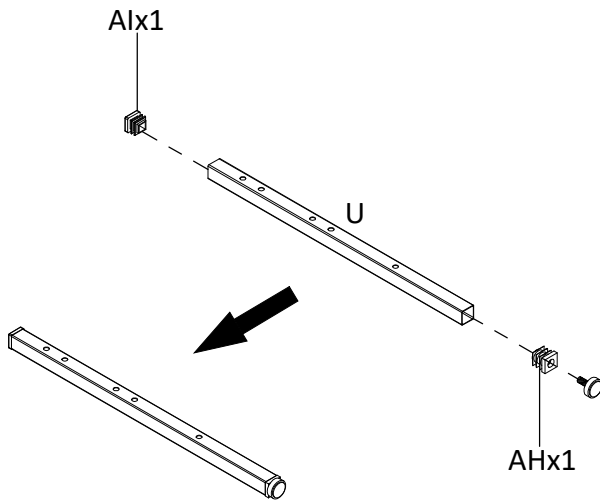
AHx1

AHx2



ⓑ

④ x3



Alx1

U

AHx1

Alx3

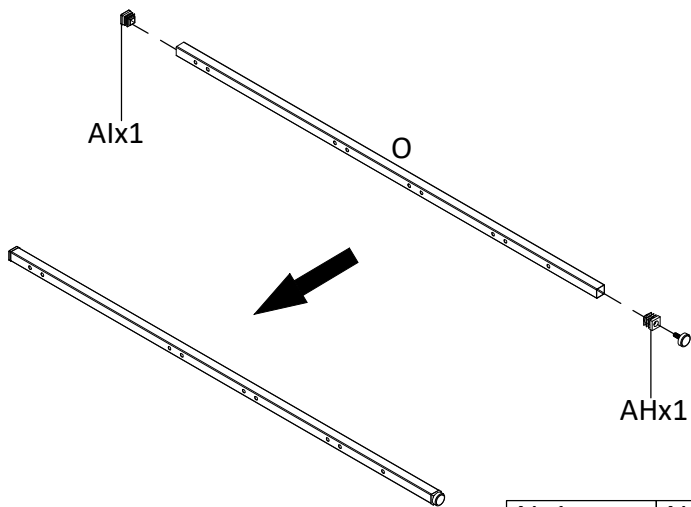


AHx3



ⓒ

5



d

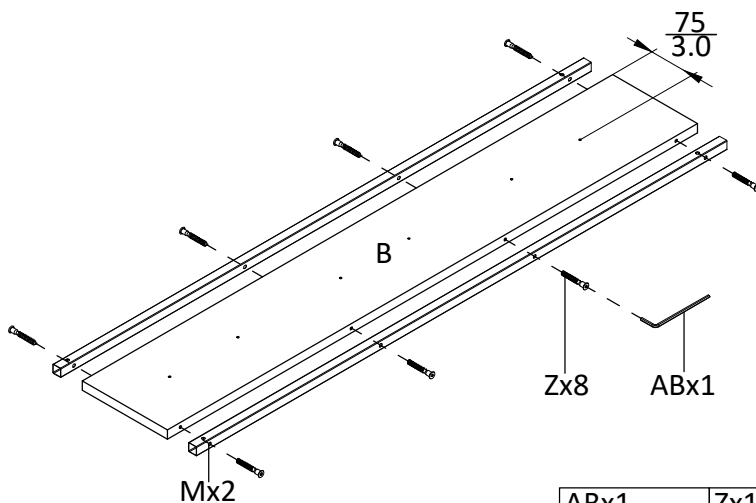
Alx1



AHx1



6 x2



e

ABx1



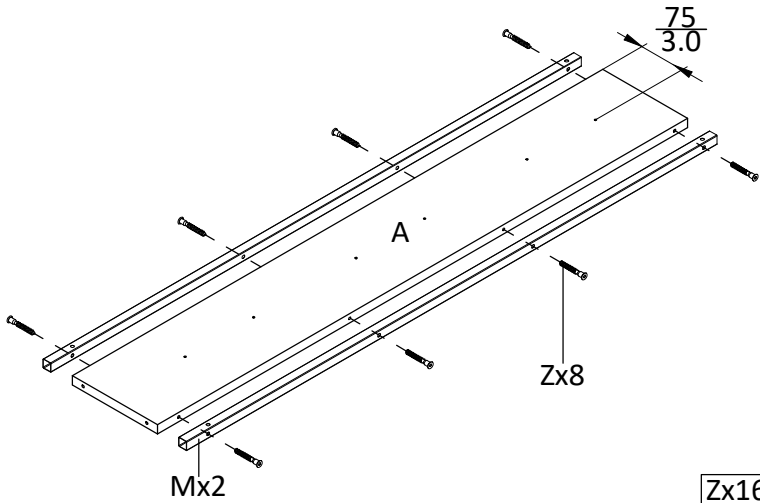
M3


Zx16



M5x $\frac{40}{1.6}$

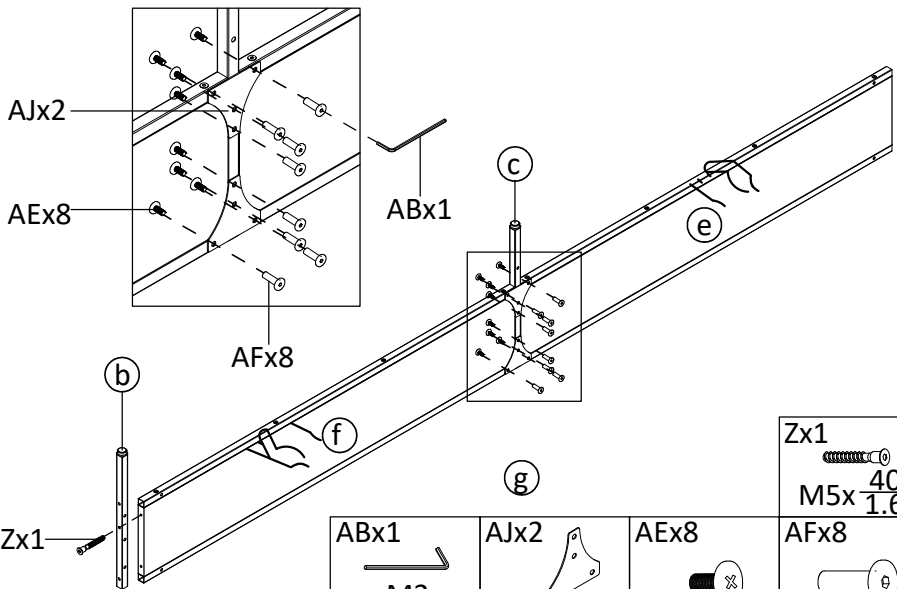
⑦ x2





Zx16

M5x $\frac{40}{1.6}$


⑦


⑧




Zx1

M5x $\frac{40}{1.6}$

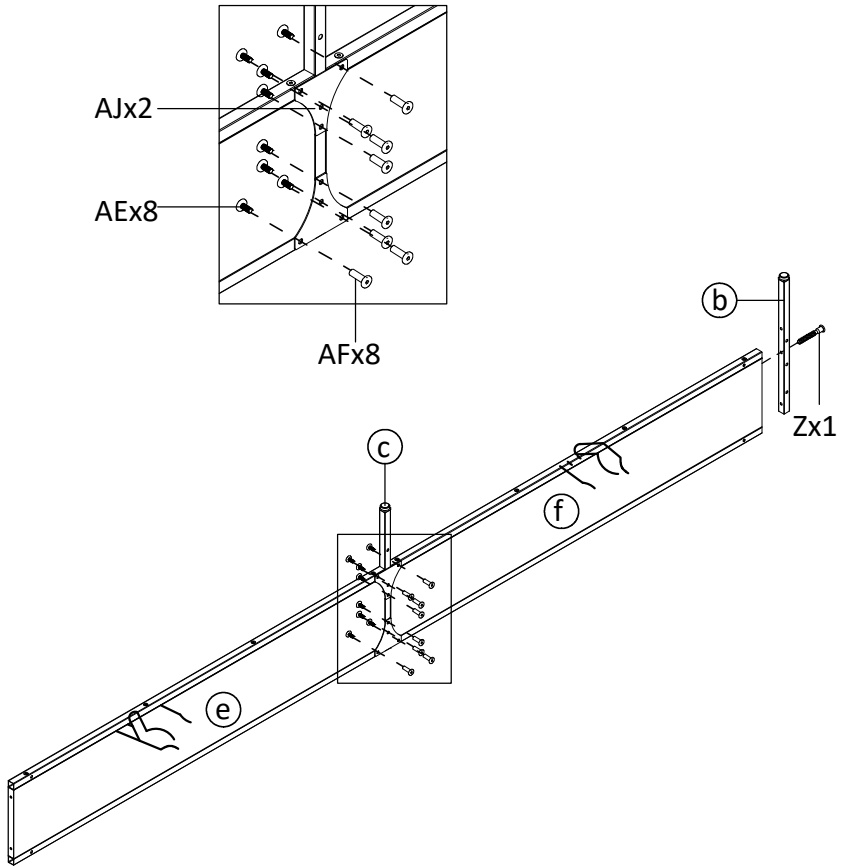
ABx1

M3

AJx2





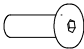
AEx8


AFx8


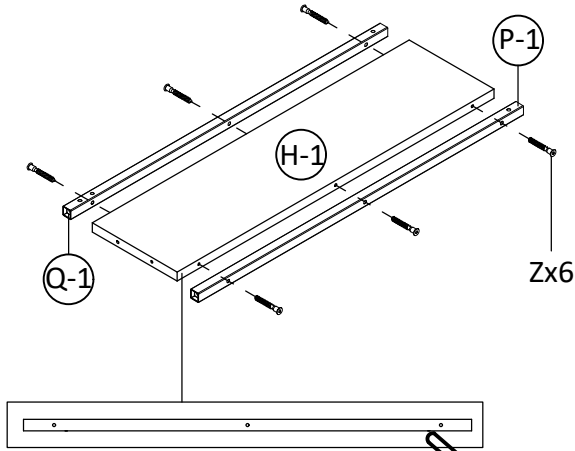
9




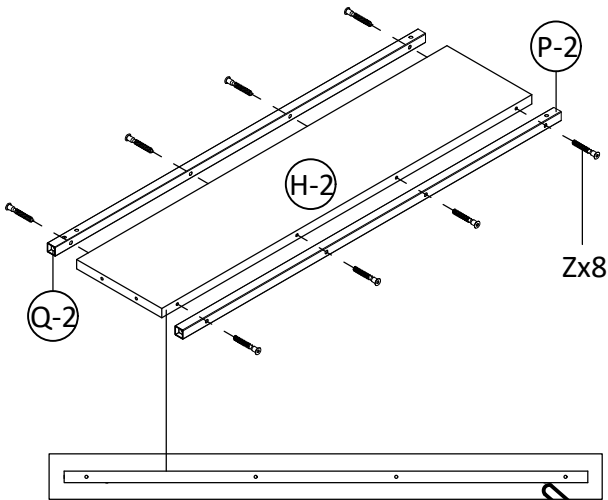
h


		Zx1  M5x $\frac{40}{1.6}$
AJx2 	AEx8 	AFx8 

10



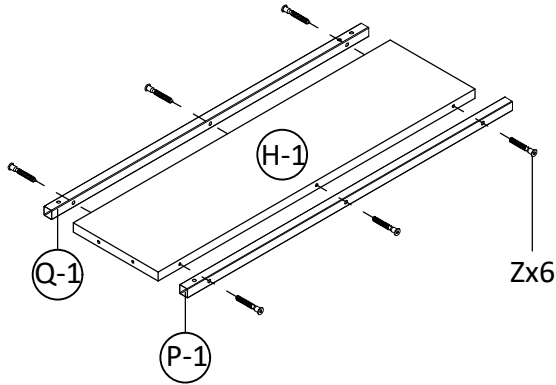
Zx6

M5x $\frac{40}{1.6}$




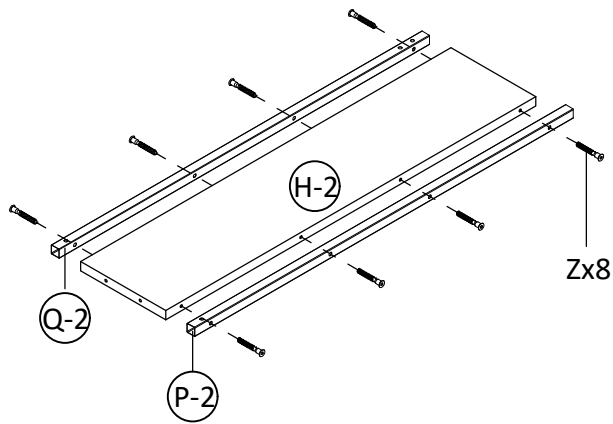
Zx8

M5x $\frac{40}{1.6}$


i

11



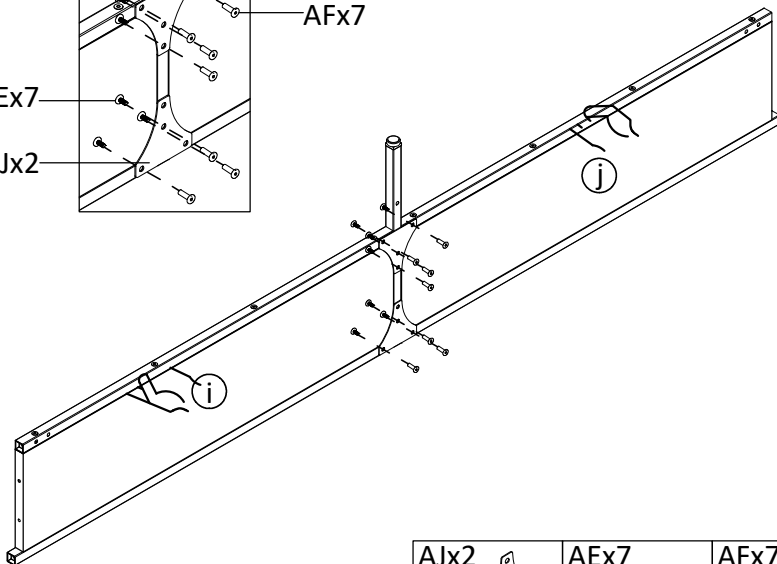
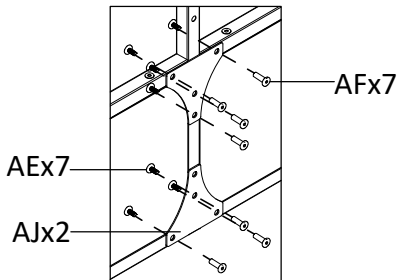
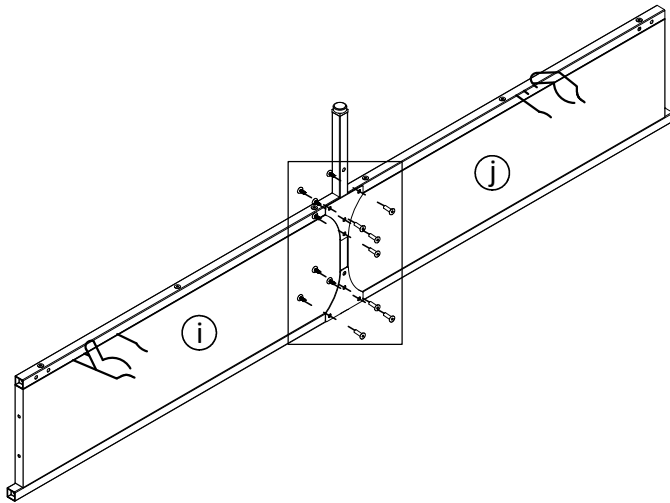
Zx6

M5x $\frac{40}{1.6}$



Zx8

M5x $\frac{40}{1.6}$

j

12



k

AJx2



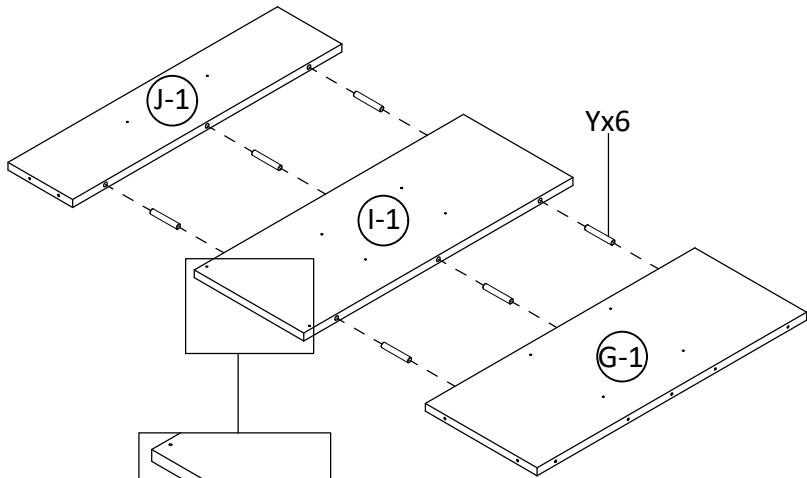
AEx7



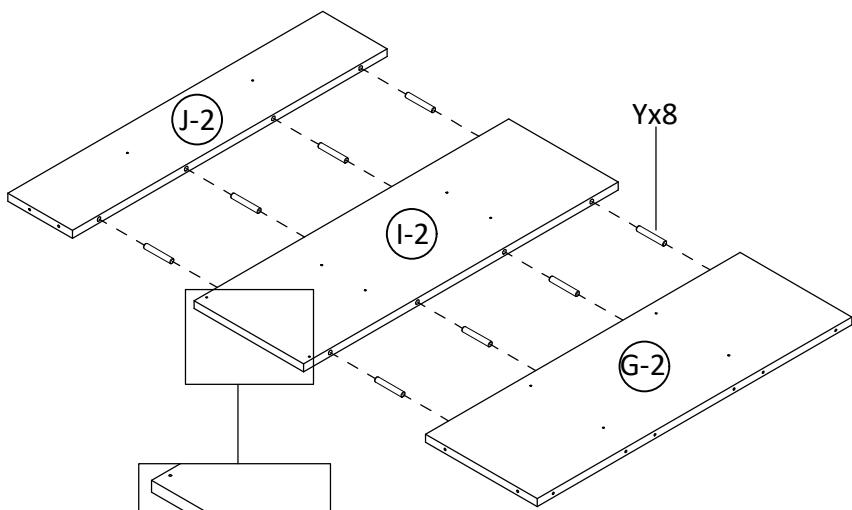
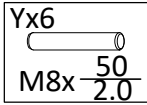
AFx7



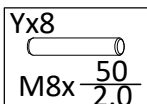
13



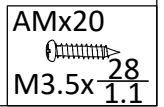
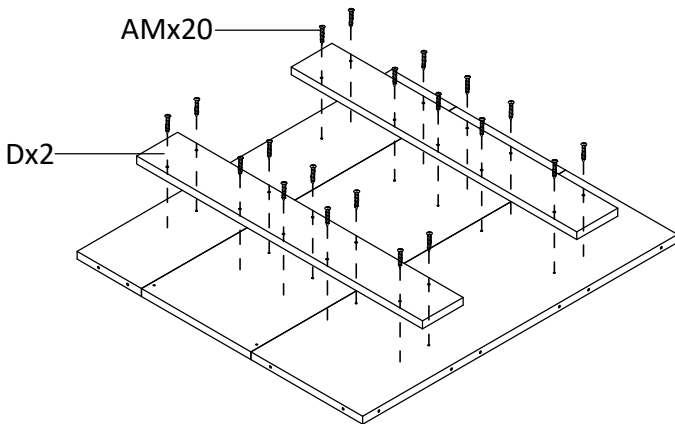
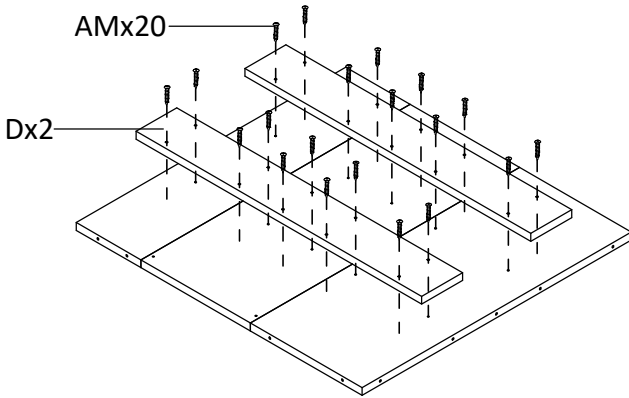
Yx6



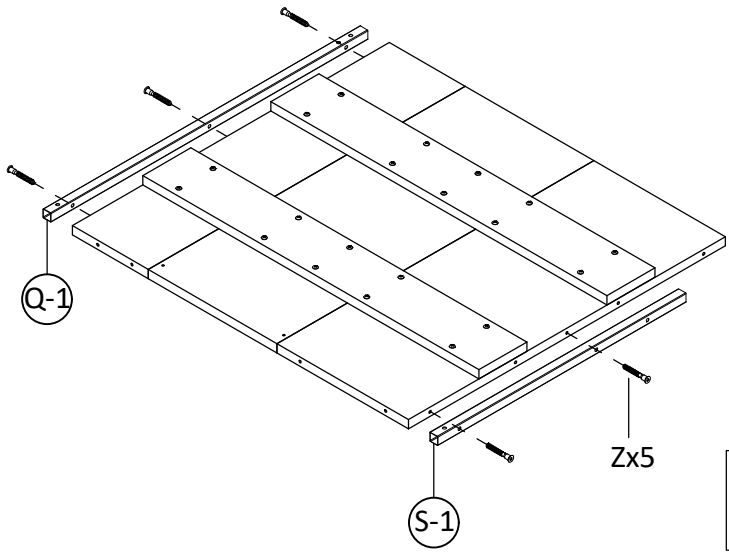
Yx8




14



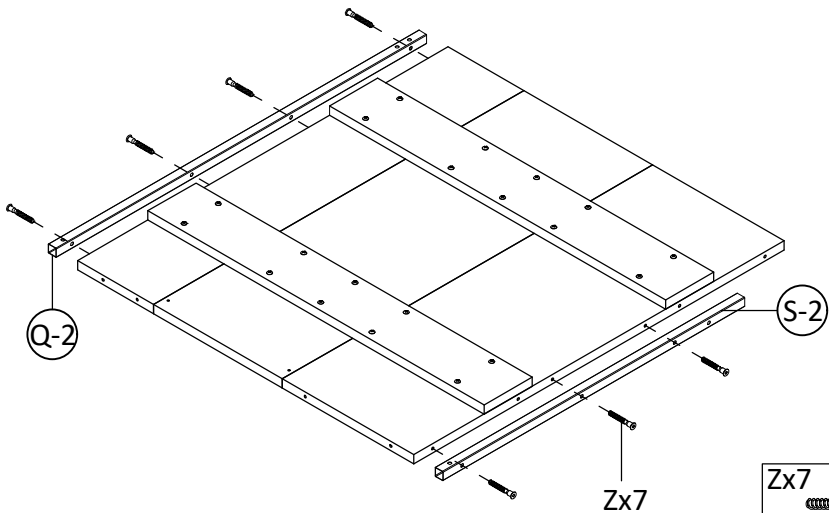
15



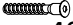
Zx5



M5x $\frac{40}{1.6}$

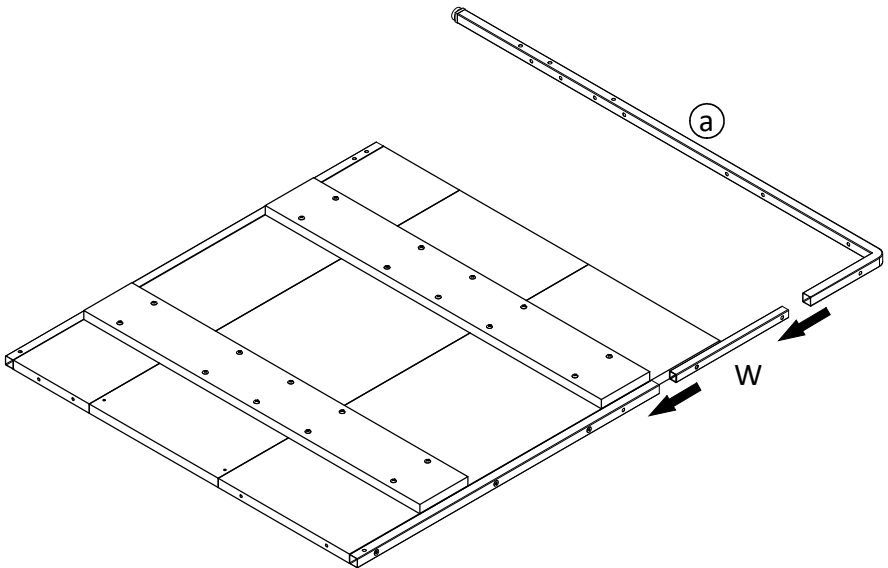
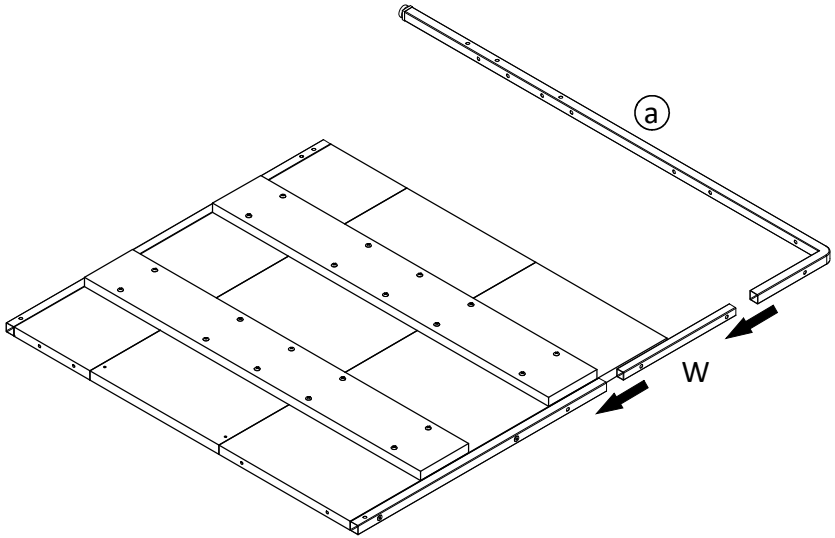


Zx7

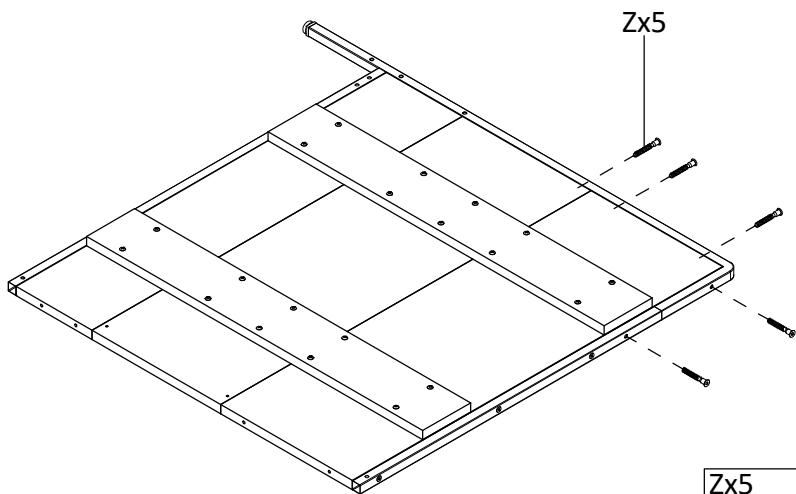
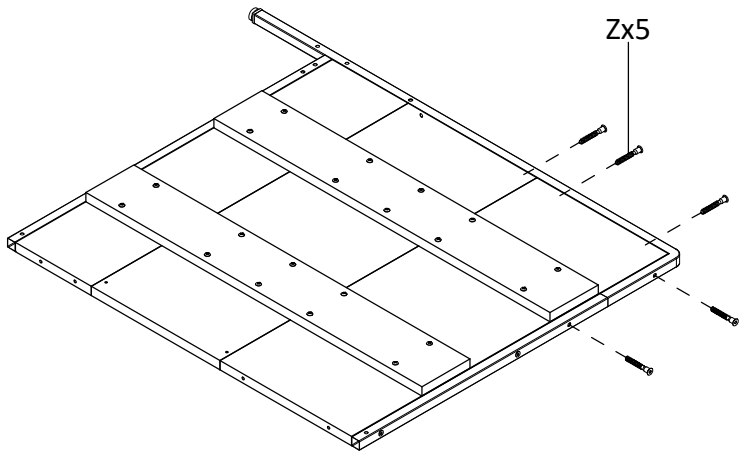


M5x $\frac{40}{1.6}$


16



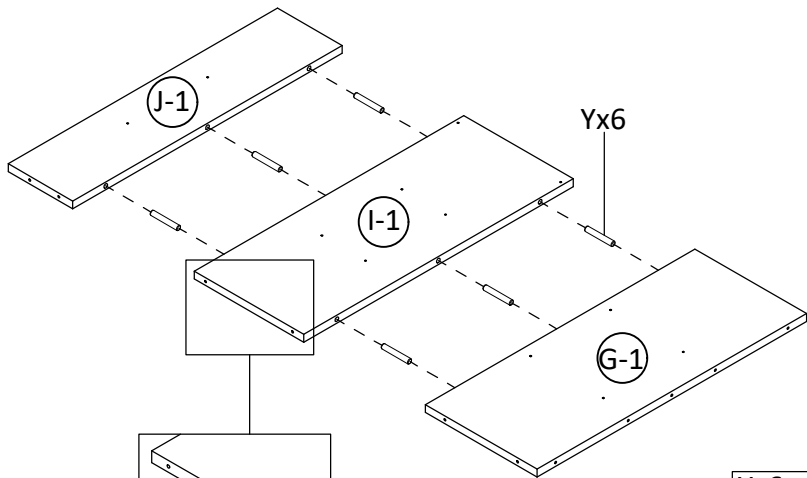
17



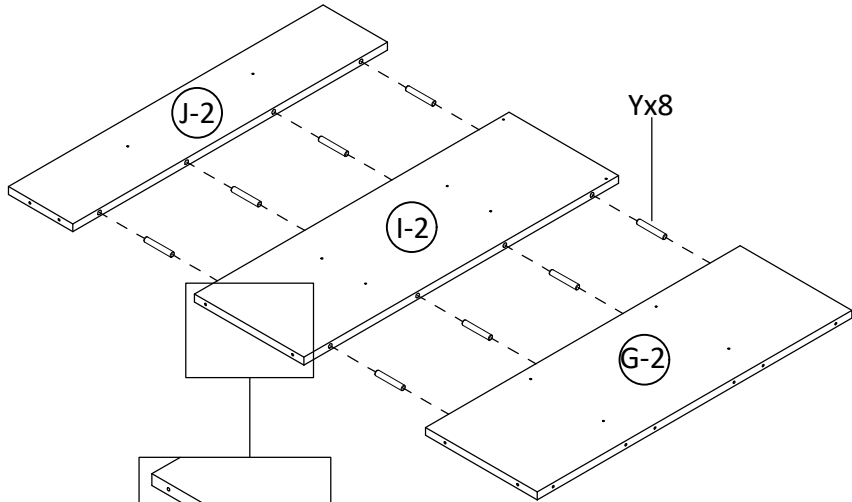
Ⓛ

Zx5

M5x $\frac{40}{1.6}$

18

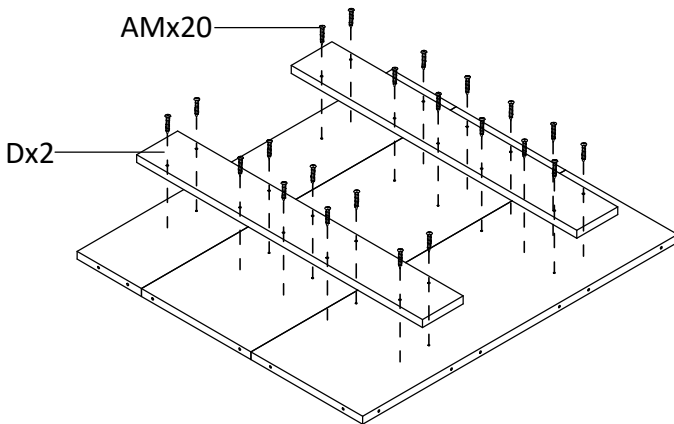
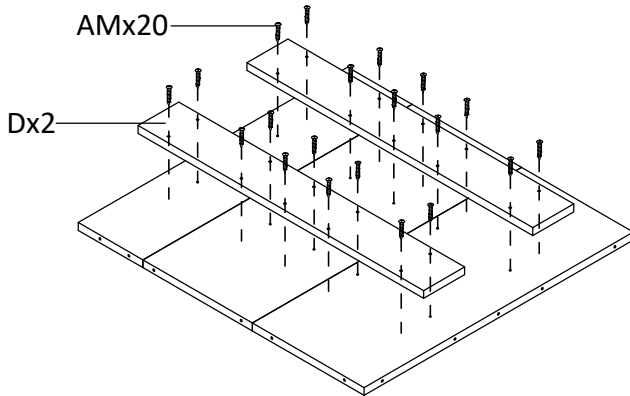


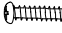
Yx6
M8x $\frac{50}{2.0}$



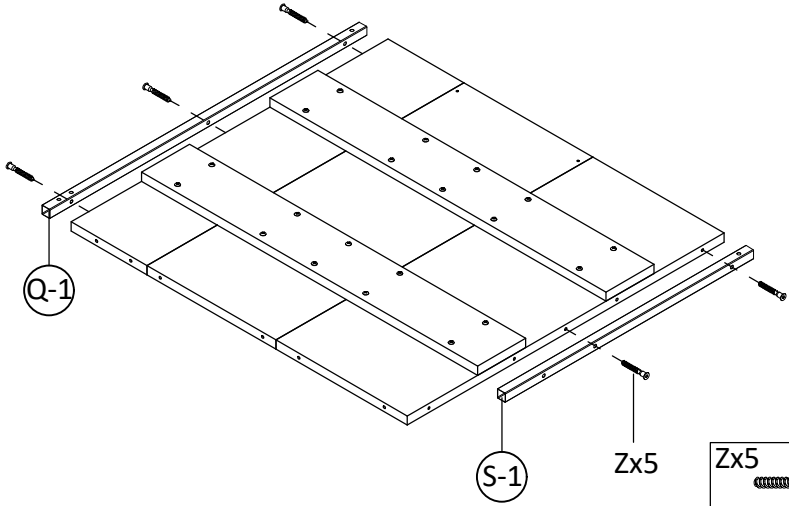
Yx8
M8x $\frac{50}{2.0}$


19

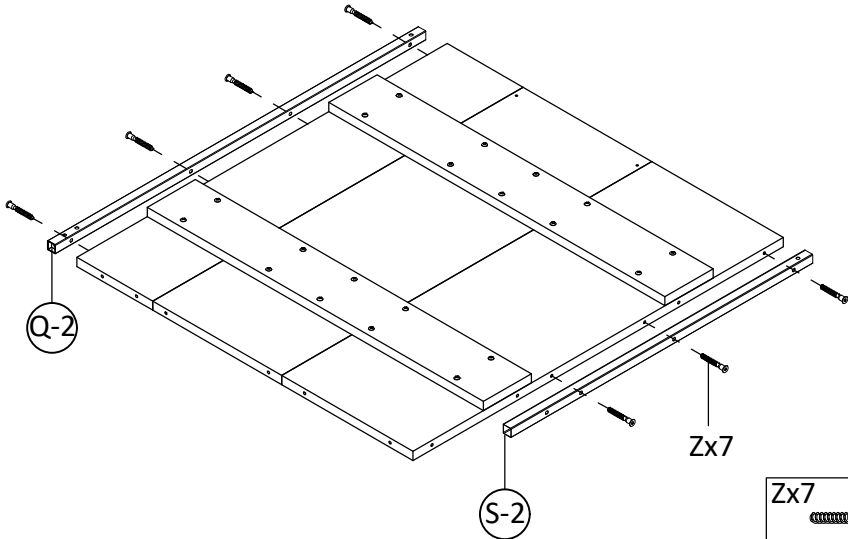



AMx20

M3.5x $\frac{28}{1.1}$

20

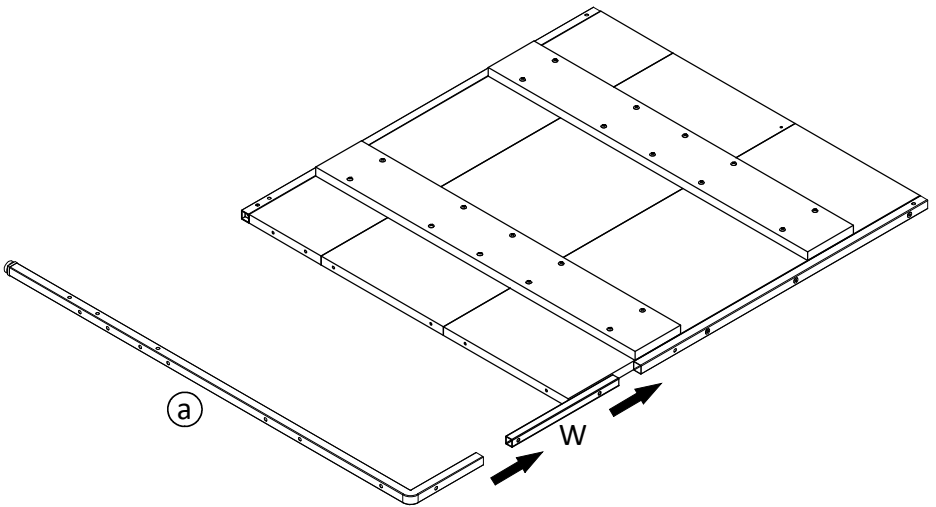
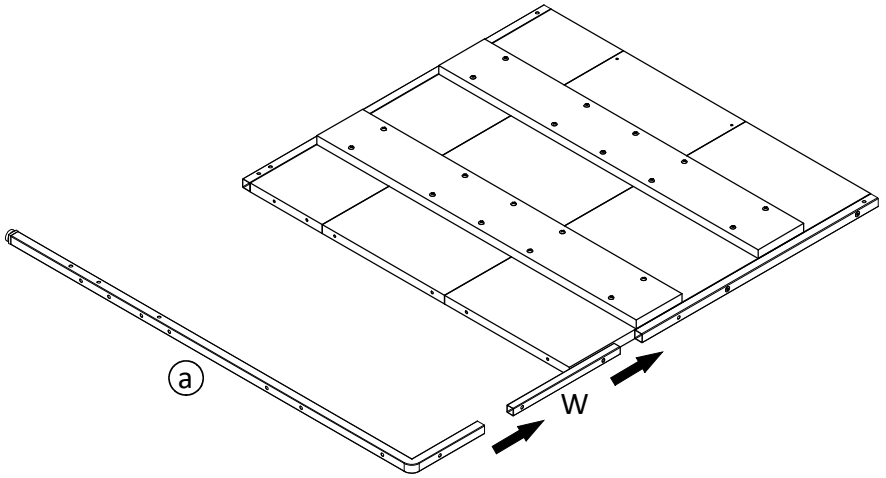


Zx5

M5x $\frac{40}{1.6}$

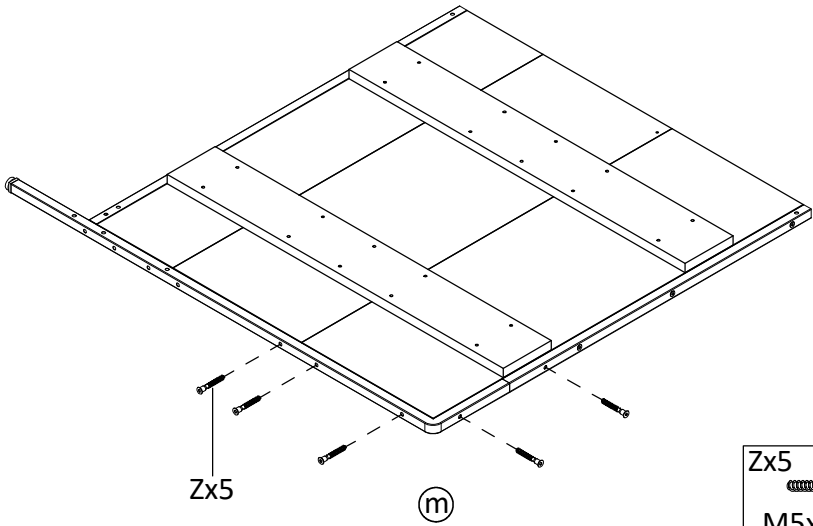
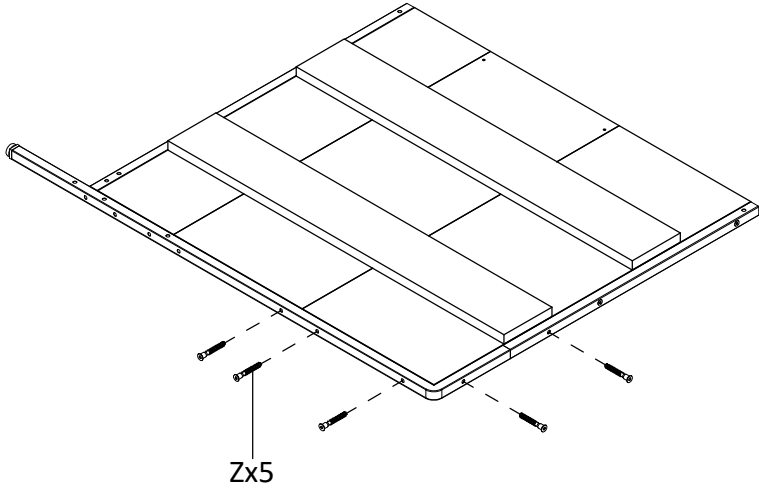



Zx7

M5x $\frac{40}{1.6}$

21

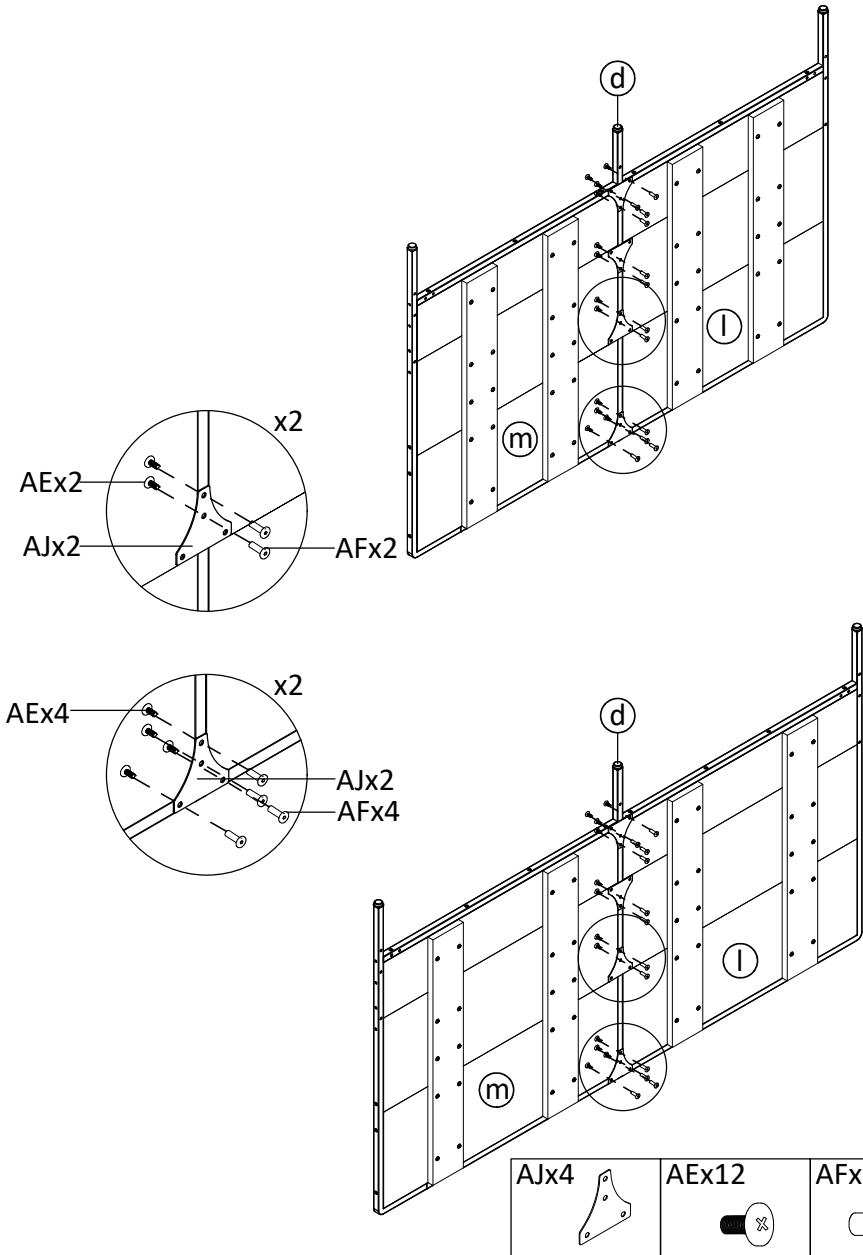


22

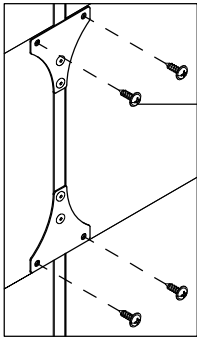
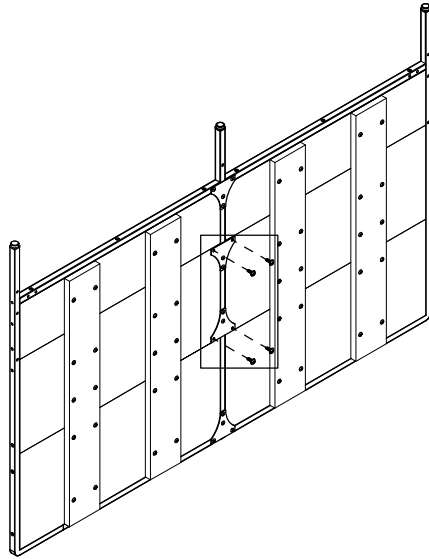


Zx5

M5x $\frac{40}{1.6}$

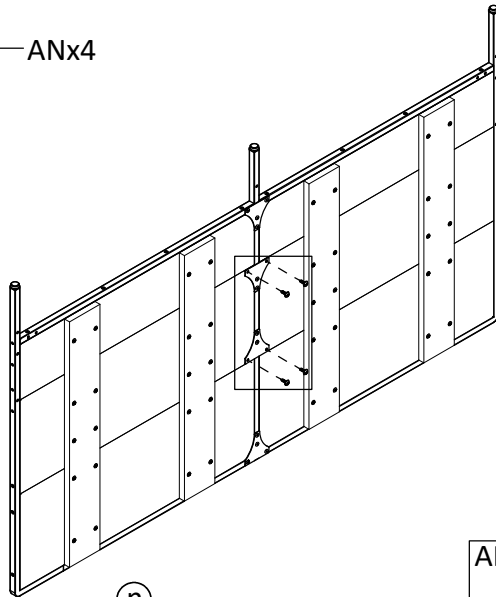
23



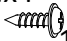
24



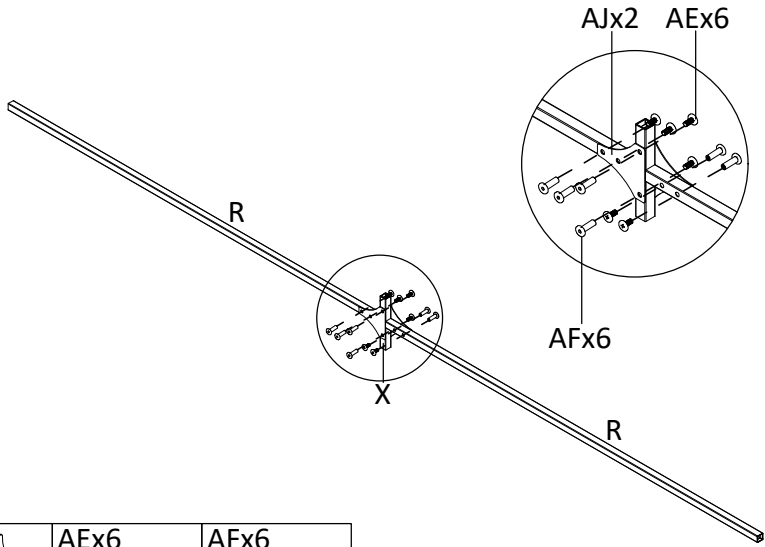
ANx4



(n)

ANx4

M3.5x $\frac{12}{0.5}$

25



AJx2



AEx6

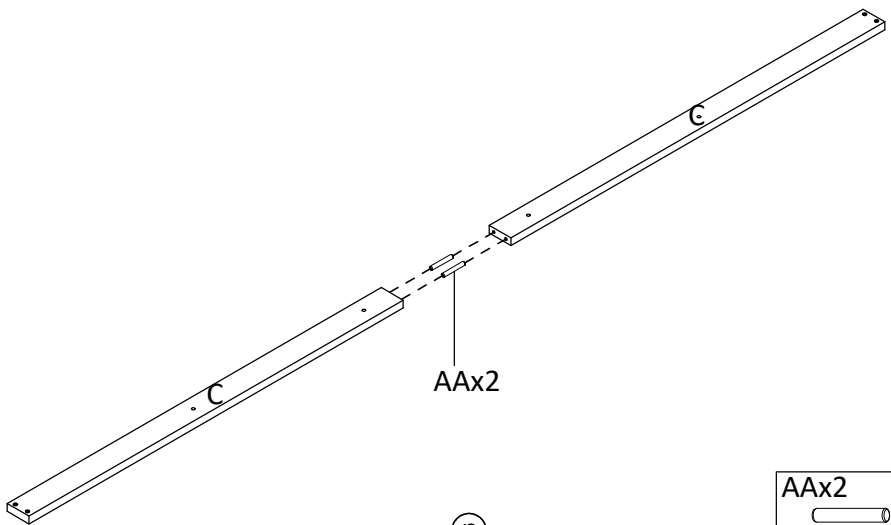


AFx6



o

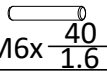
26



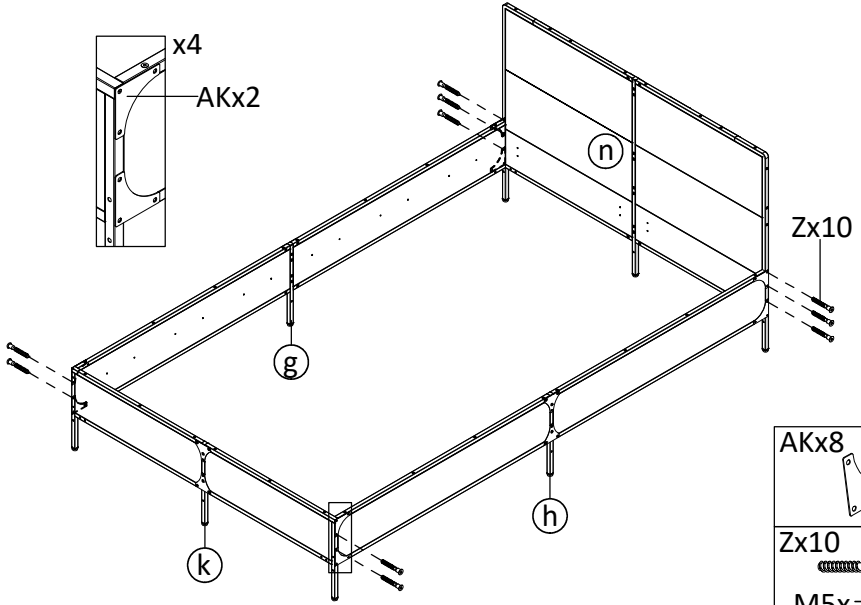
AAx2

p

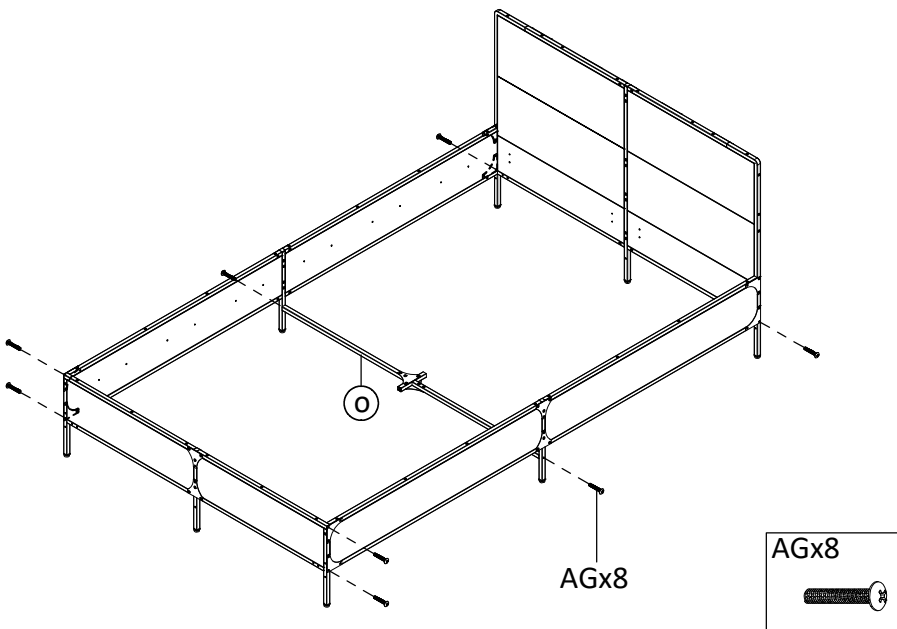
AAx2



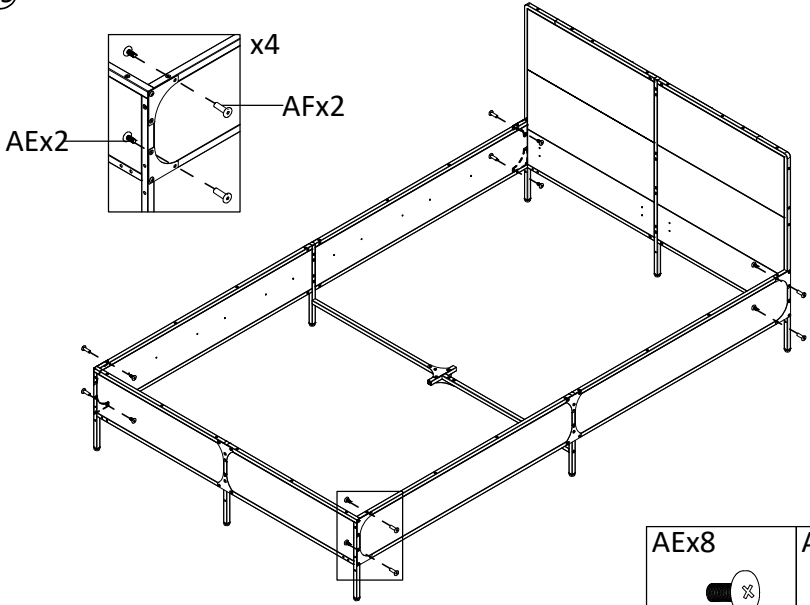
27





28

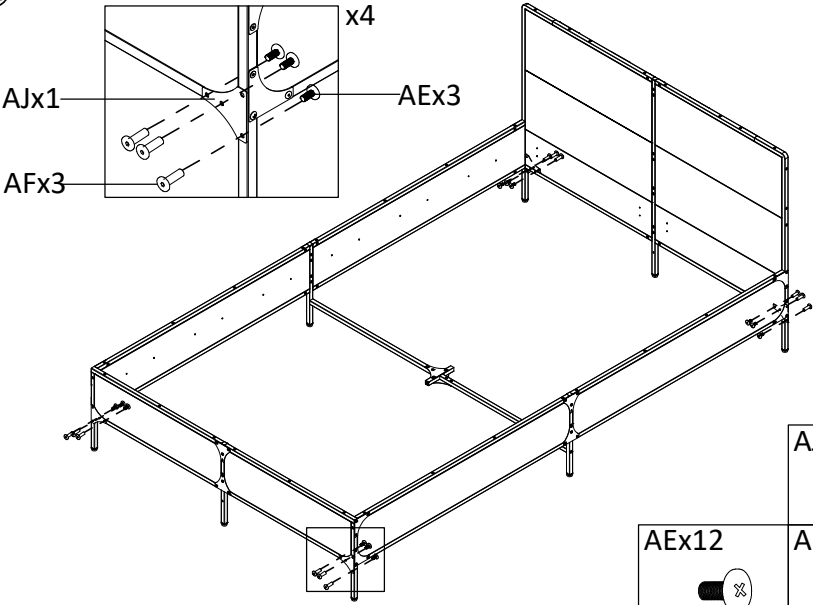




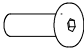
29



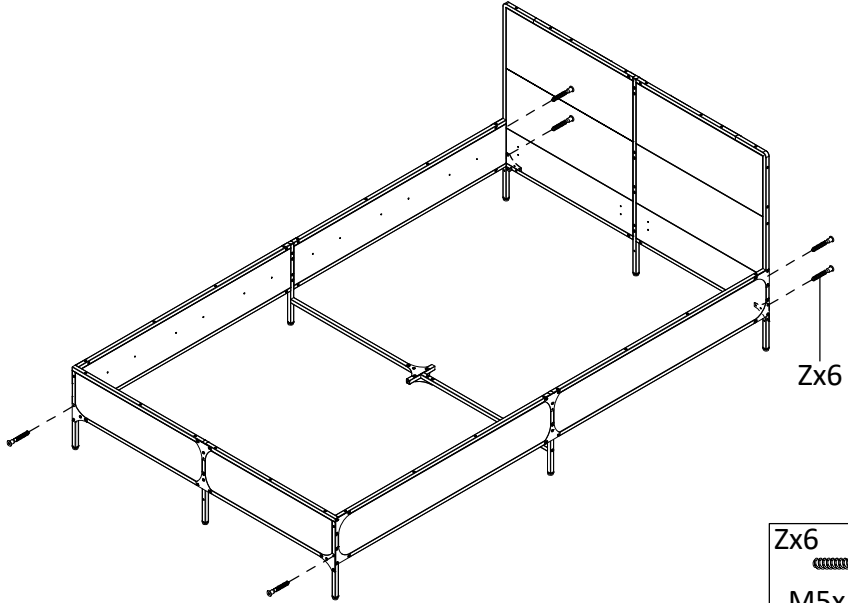
AEx8	AFx8
	

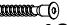
30



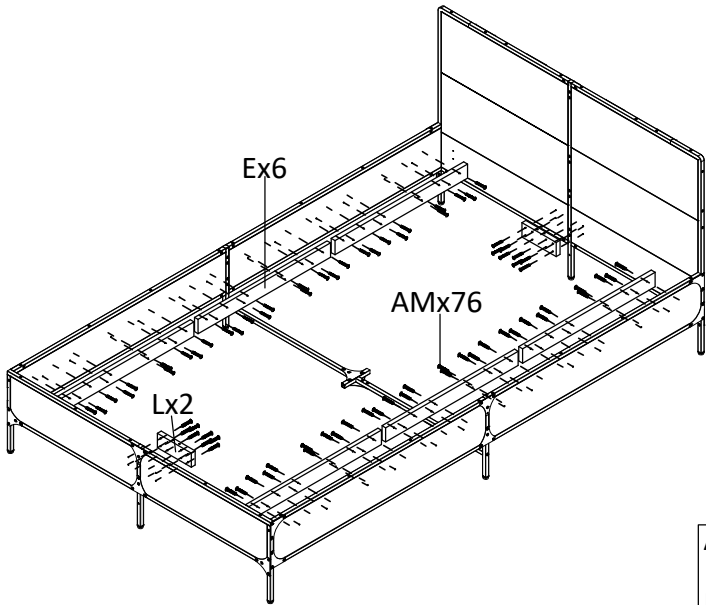
AEx12	AJx4	AFx12
		

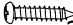
31



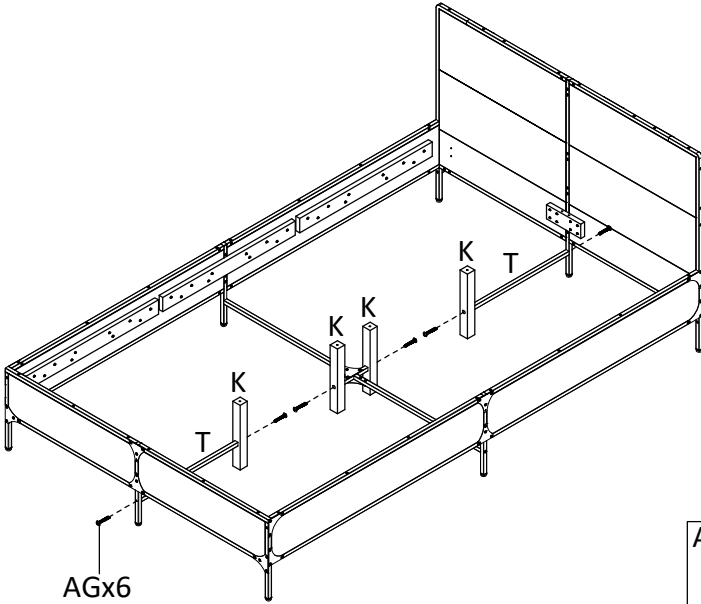
Zx6

M5x $\frac{40}{1.6}$

32



AMx76

M3.5x $\frac{28}{1.1}$

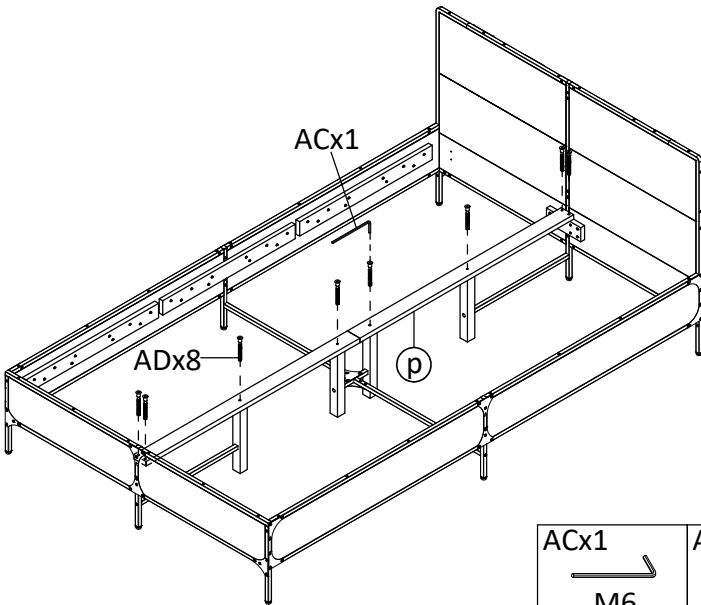
33



AGx6



34



ACx1

ADx8

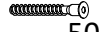
p

ACx1



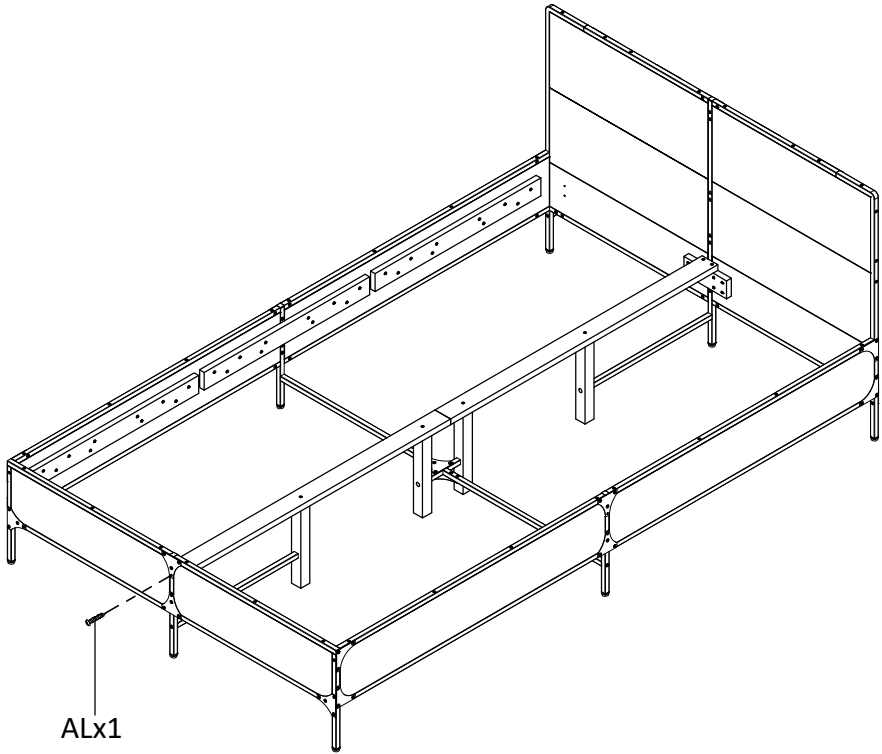
M6

ADx8

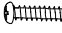


M7x $\frac{50}{2.0}$

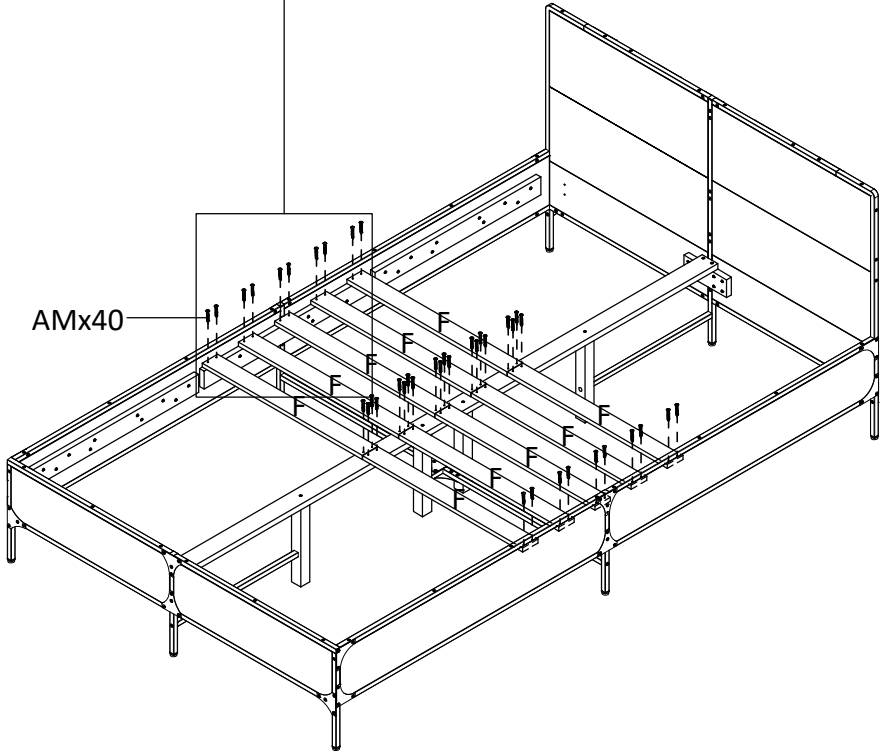
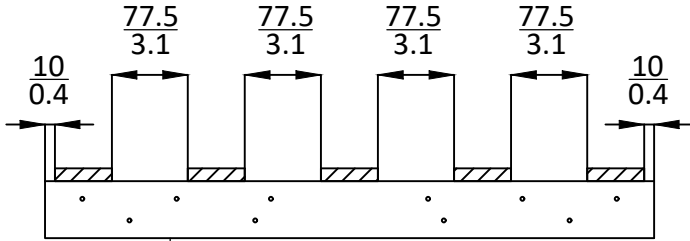
35



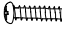
ALx1

ALx1

M3.5x $\frac{28}{1.1}$

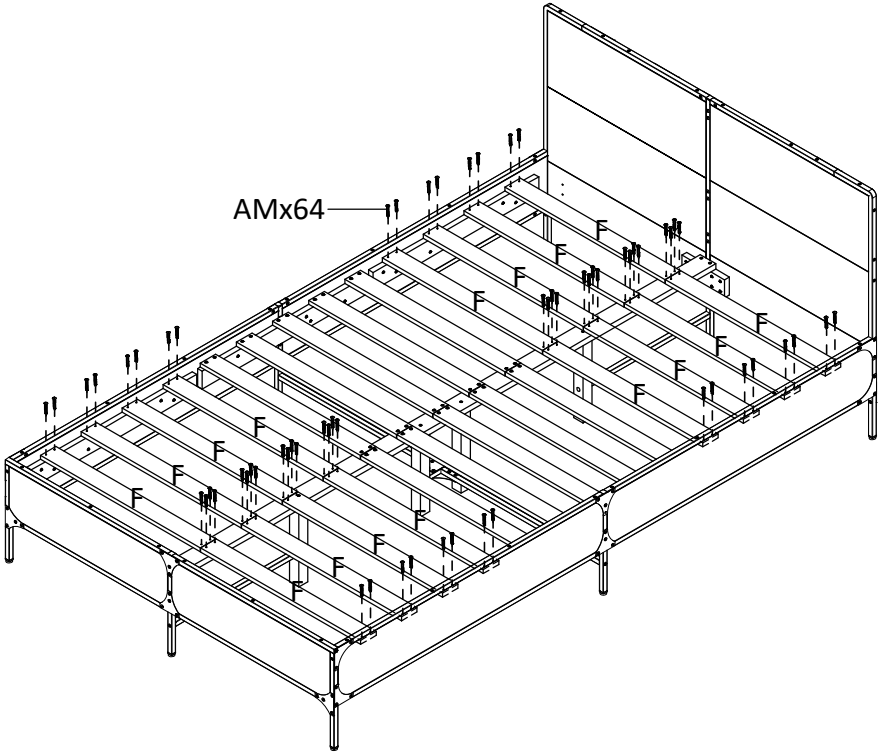
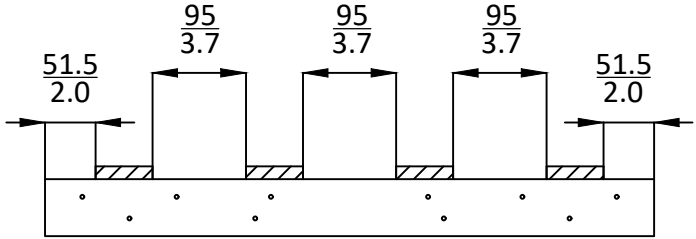
36



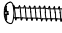
AMx40

AMx40

M3.5x $\frac{28}{1.1}$

37



AMx64

AMx64

M3.5x $\frac{28}{1.1}$

38

