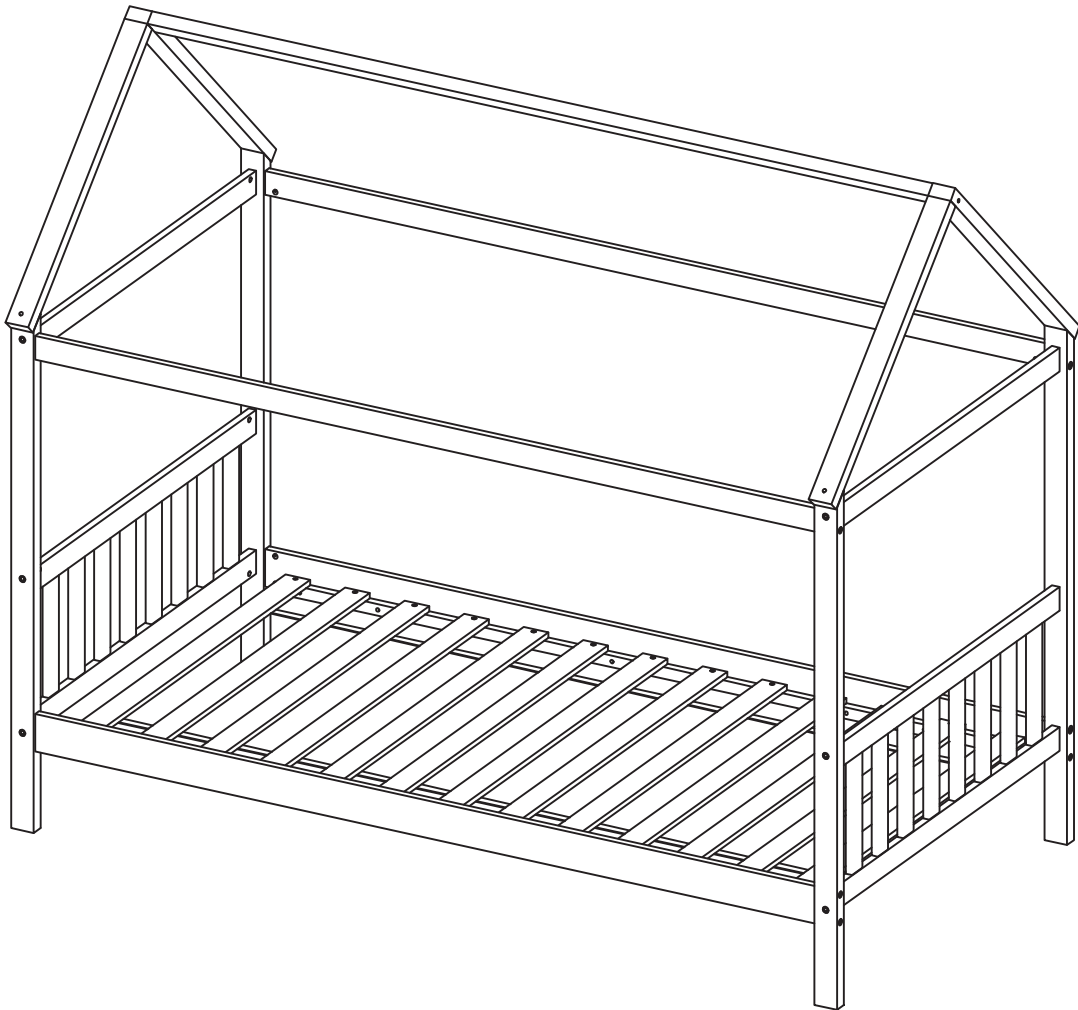
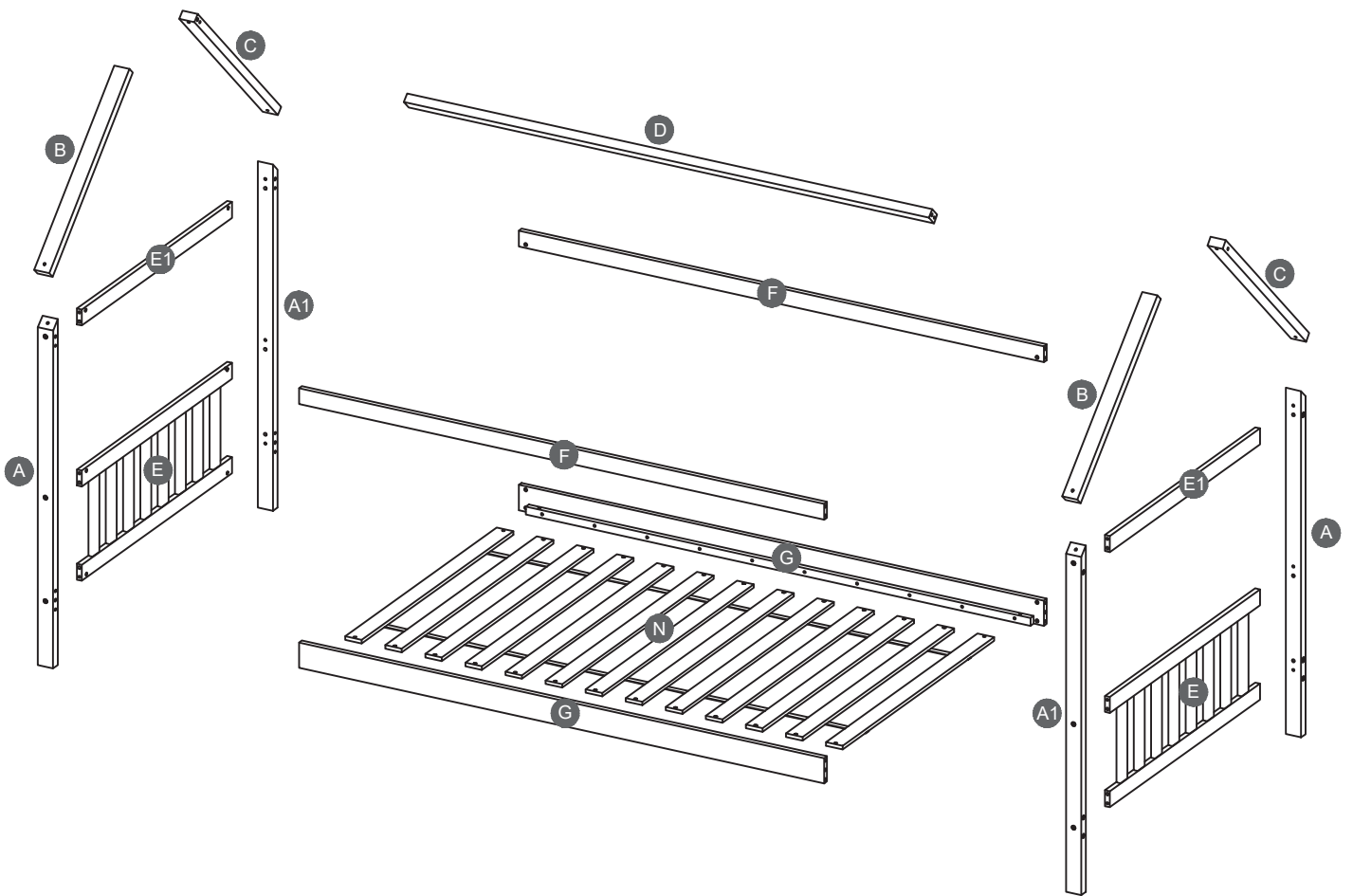


ASSEMBLY INSTRUCTIONS

TWIN HOUSE BED



Detail View



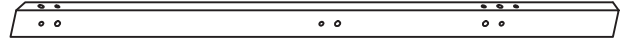
Part List

A



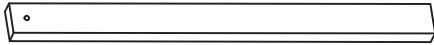
Leg - 2pcs

A1



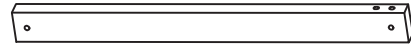
Leg - 2pcs

B



Top Support - 2pcs

C



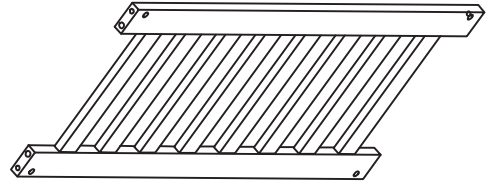
Top Support - 2pcs

D



Top Rail - 1pc

E



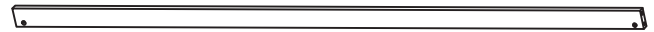
Hb. Fb. Lower Panel - 2pcs

E1



Hb. Fb. Upper Panel - 2pcs

F



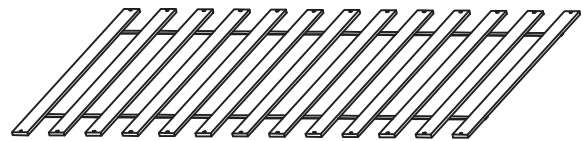
Upper Rail - 2pcs

G



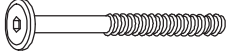


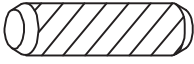
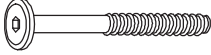
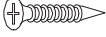
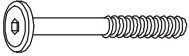


Side Rail - 2pcs

N

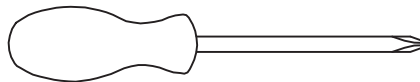


Bed Slats - 1Set

Hardware List




1  M6 x 70mm JCBC (12pcs)	2  M6 x 90mm JCBC (14pcs)	3  M6 x 15mm Barrel Nut (26pcs)
4  M10 x 30mm Wood Dowel (22pcs)	5  M6 x 60mm JCBC (2pcs)	6  M4 x 25mm CSK Screw (22pcs)
7  M6 x 50mm JCBC (4pcs)	8  M6 x 30mm JCBC-W (4pcs)	9  M4 Allen Key (1pc)

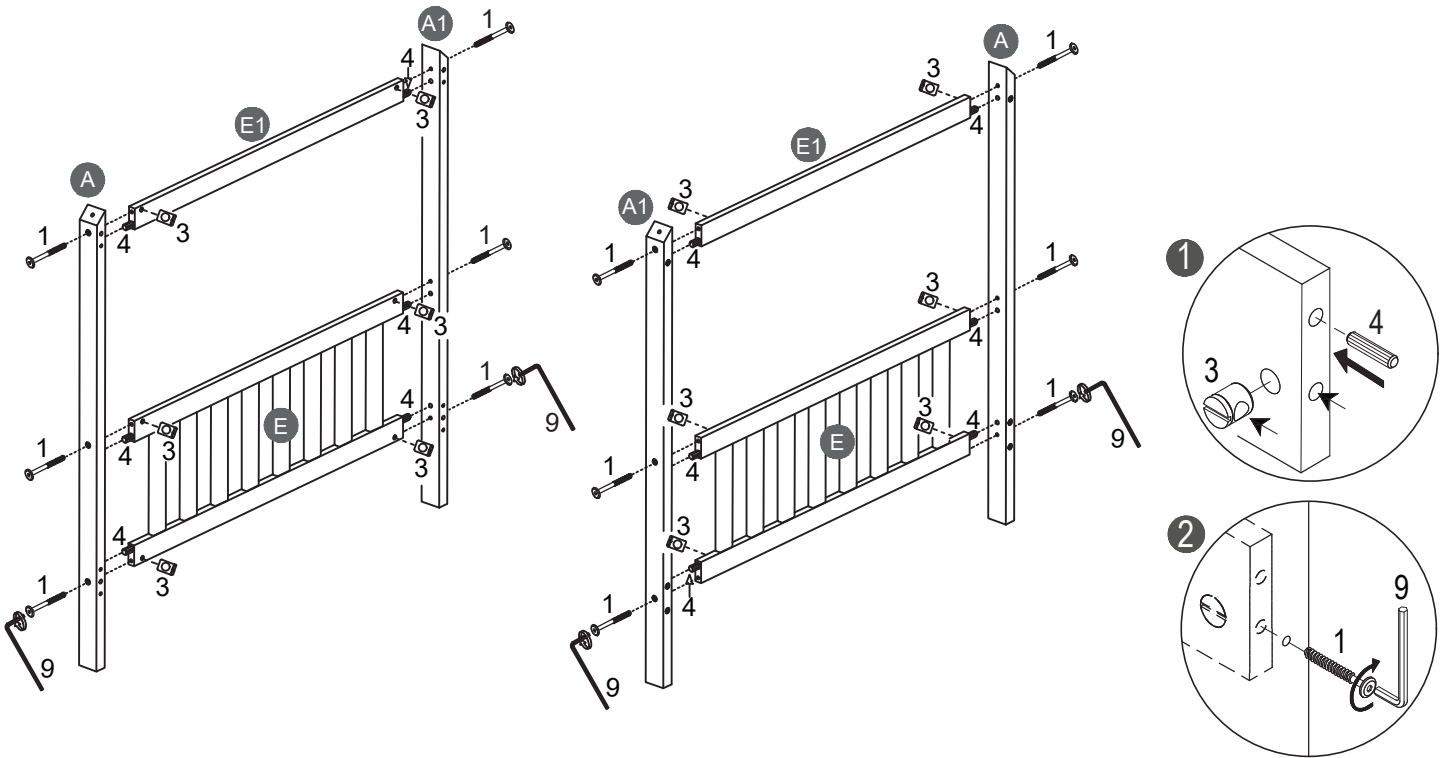
ASSEMBLY TOOLS REQUIRED (NOT INCLUDED)






PLEASE BE CAREFUL DO NOT DAMAGE THE HOLE POSITION WHEN YOU USE POWER TOOLS !

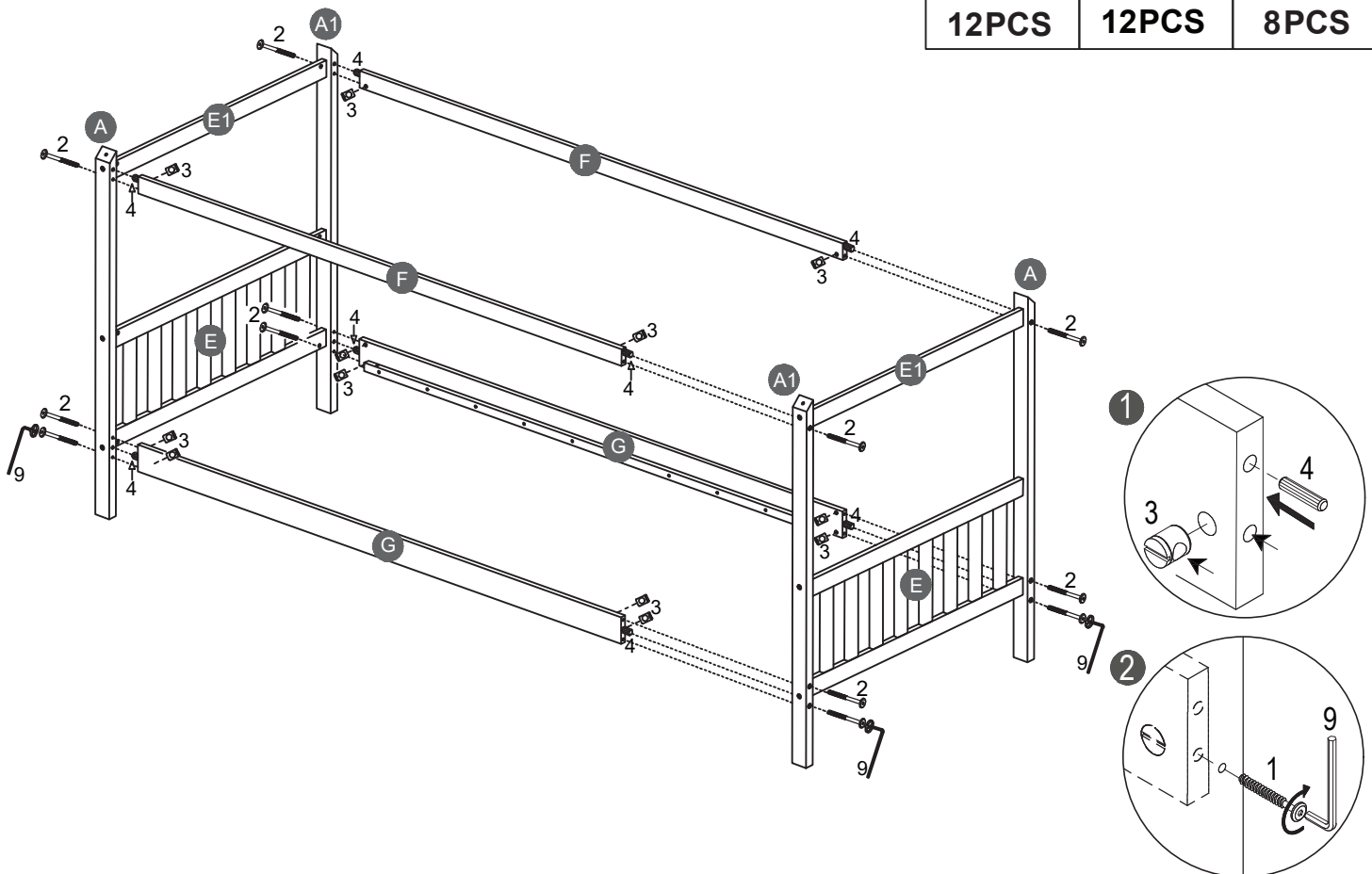
STEP 1:

1		3		4	
12PCS		12PCS		12PCS	

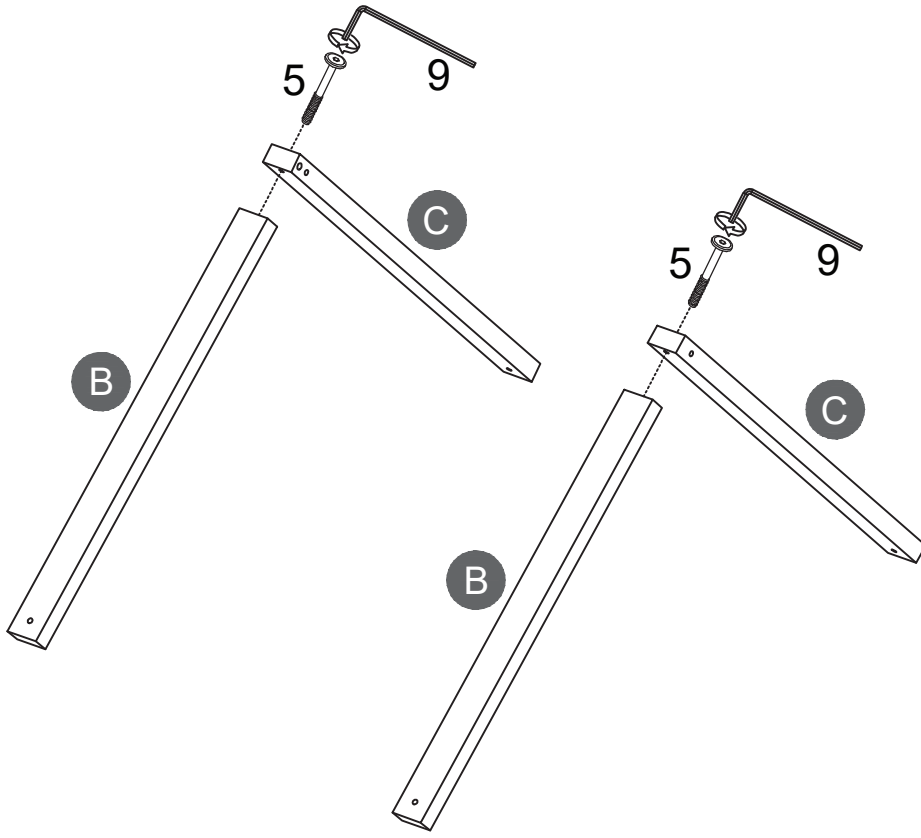



STEP 2:

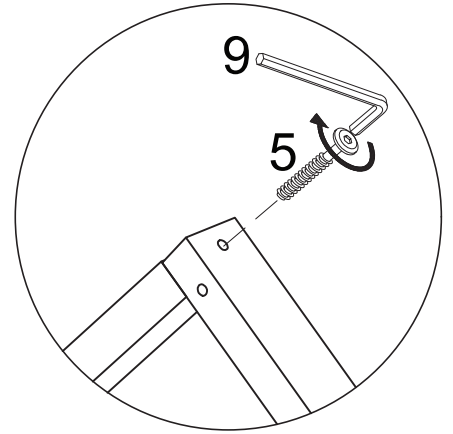
2		3		4	
12PCS		12PCS		8PCS	



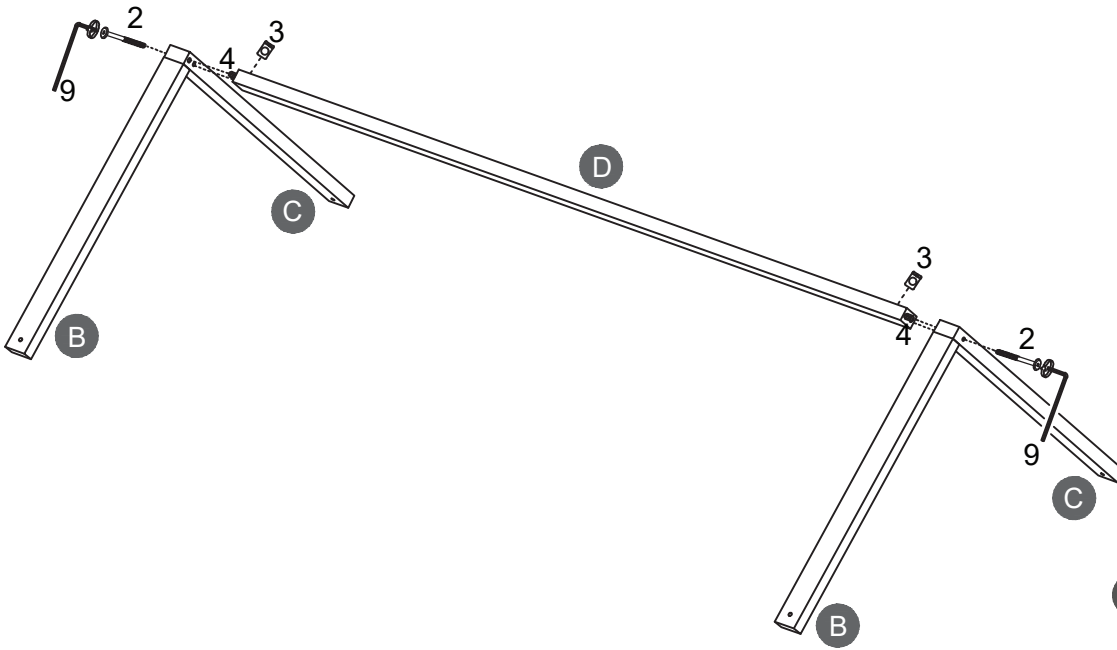
STEP 3:






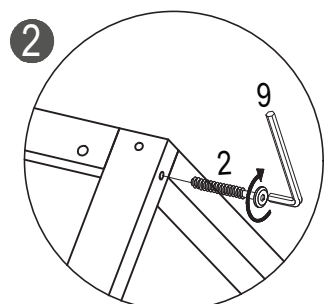
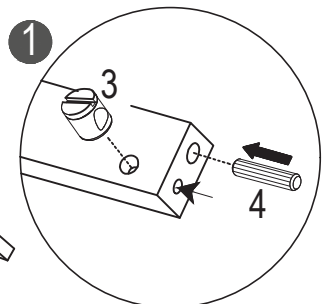
5	
2PCS	



STEP 4:



2		3		4	
2PCS		2PCS		2PCS	

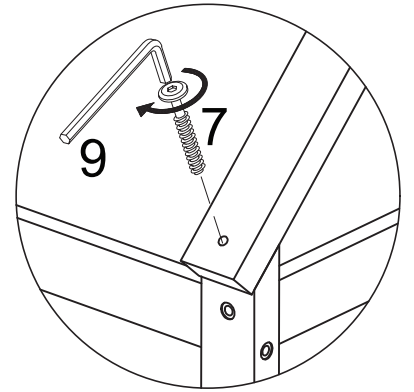
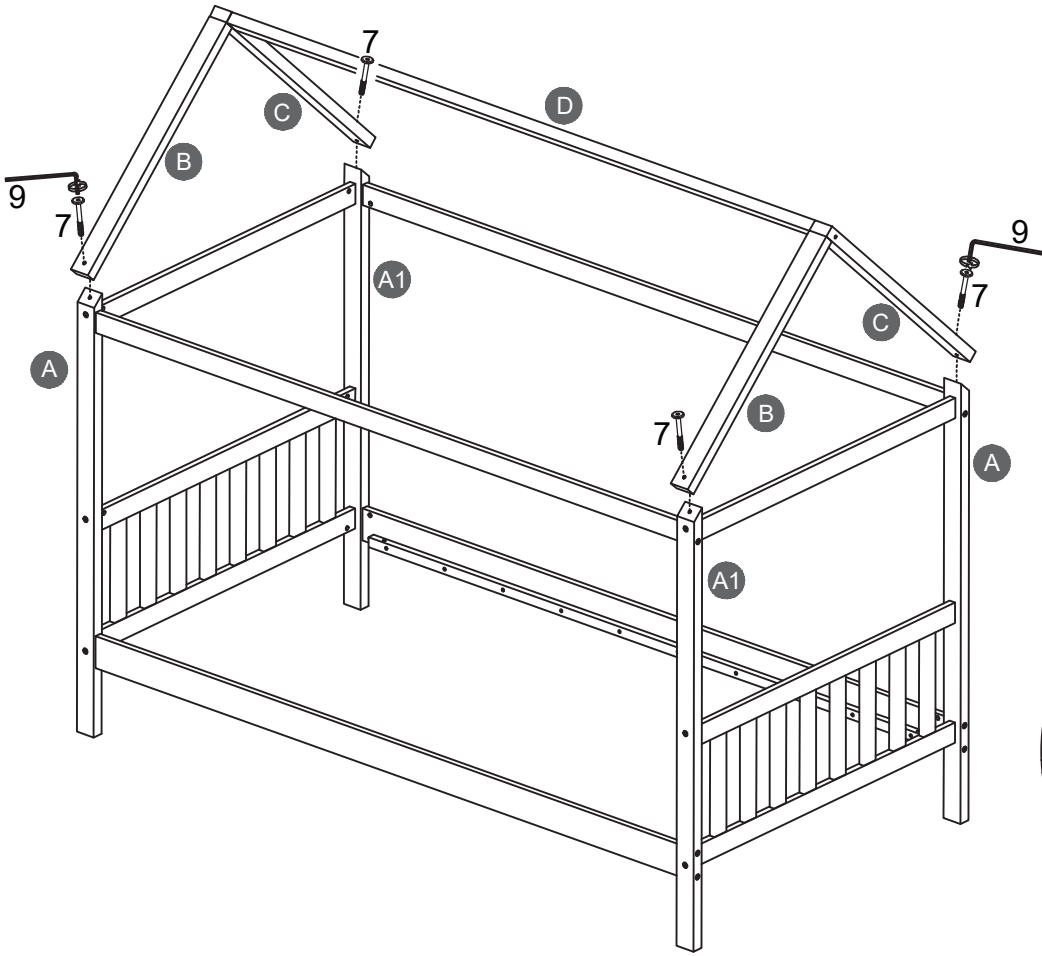


STEP 5:

7



4PCS



STEP 6:

6



22PCS

8



4PCS

