

ASSEMBLY INSTRUCTION

W6083

Return & Warranty polivy:

-We strive to offer highest quality priducets,and we also try our best to satisfy each and every customer that orders from us with replacement parts/or service as needed.

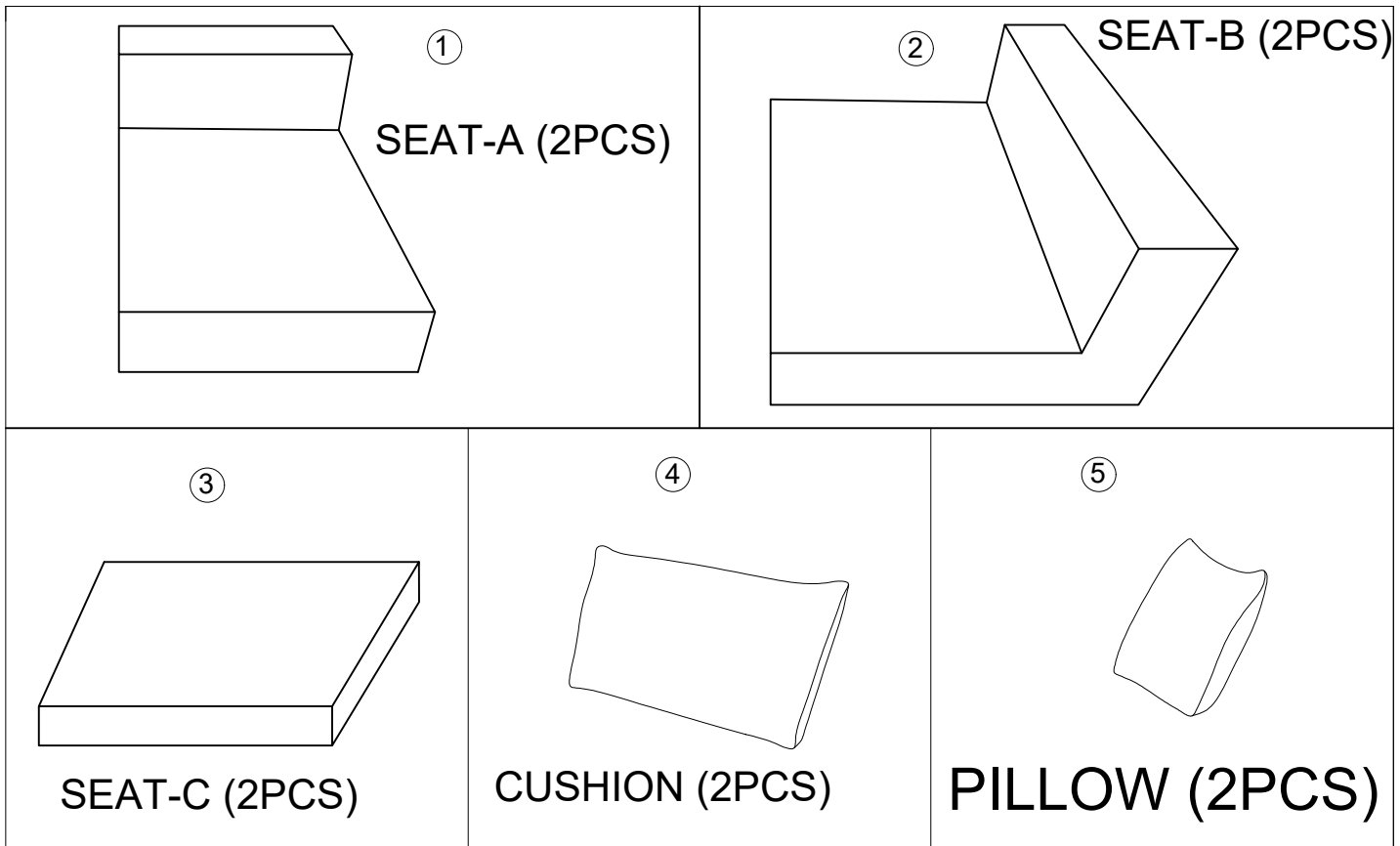
-If the item is damaged or defective,please take photos as evidence for replacements and refunds.

-Please do not return to store,contact the seller if you have any trouble with this product.

TIPS

1. Due to differences of light effects,the actual color of the materials might be slightly different from the pictures.
2. No Assembly Required.This sofa can free of your stereotyped nightmare of furniture assembly.
3. Due to package compression for better shipment,the fabric may have wrinkles.
4. Please take all packages out and pat every part to make it rebound better and fluffy,so that it can restore to picture-like status.
5. Please keep children away from the plastic bags.

ASSEMBLY INSTRUCTION



ASSEMBLY INSTRUCTION

1.The packaging has two layers, so try not to use sharp objects to open it. If using sharp tools, please be careful not to cut the product.

2.The product is a compressed sofa with a armrest. The may differ from the picture when it is first opened after being compressed. Please be patient and wait for 72 hours for it to recover.

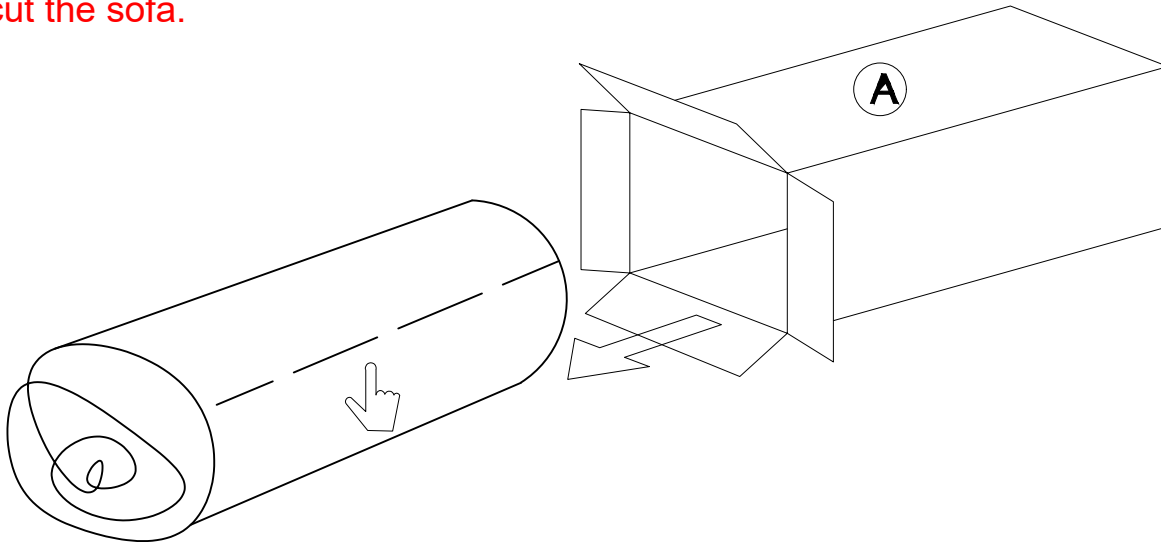
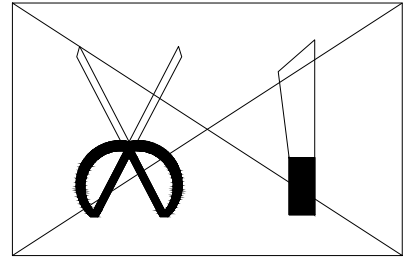
3.As it is a compressed sofa, the recovery situation of the product may vary, and there may be height errors in the backrest and other parts.

ASSEMBLY INSTRUCTION

Step 1.

Attention:

The first step, do not use a knife to go deep into the box to open it, be careful not to cut the sofa.

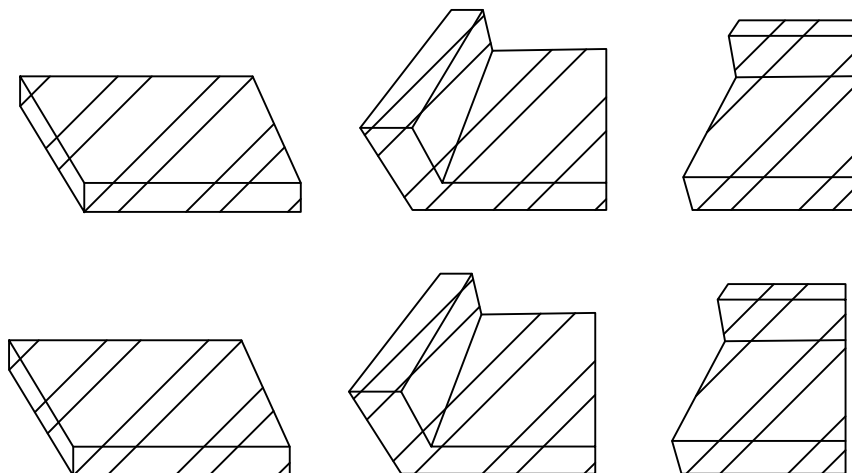


ASSEMBLY INSTRUCTION

Step 2.

Attention:

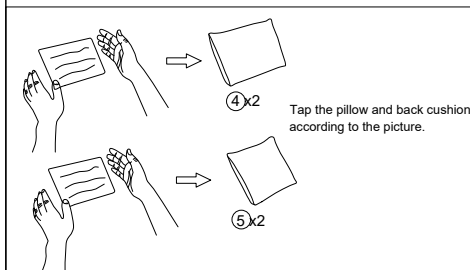
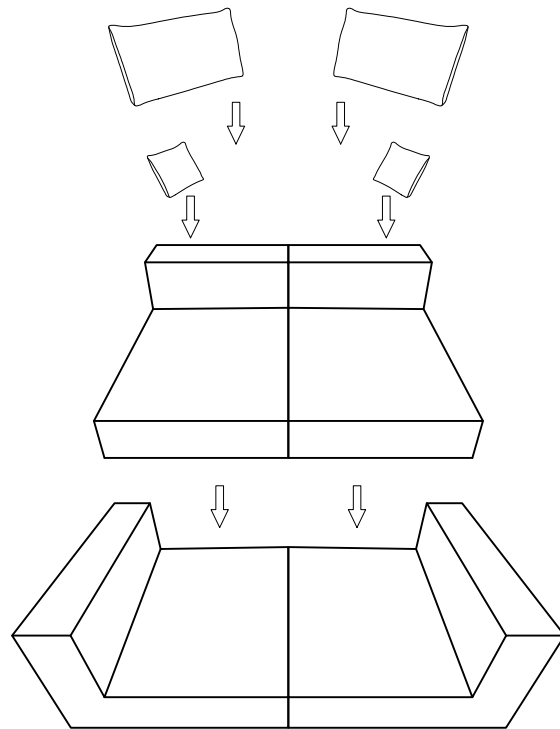
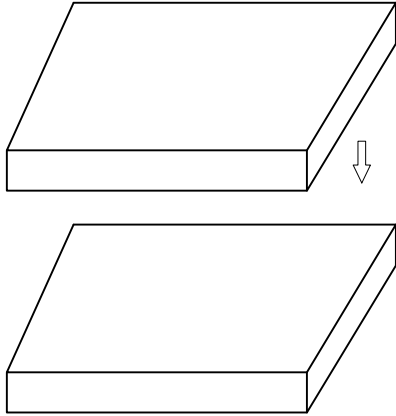
The second step, open the compressed closed plastic bag to make the product expand, flap all parts of the sofa's surface with your hands, let the air enter the sofa sponge fully, and then use your hands to follow the knitting direction of the cloth to make the sofa color consistency.



ASSEMBLY INSTRUCTION

Step 3.

For this step remove all the part



ASSEMBLY INSTRUCTION

Step 4.

