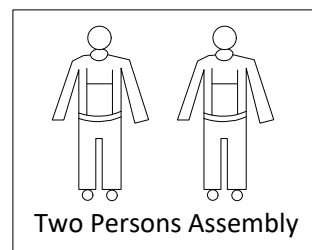
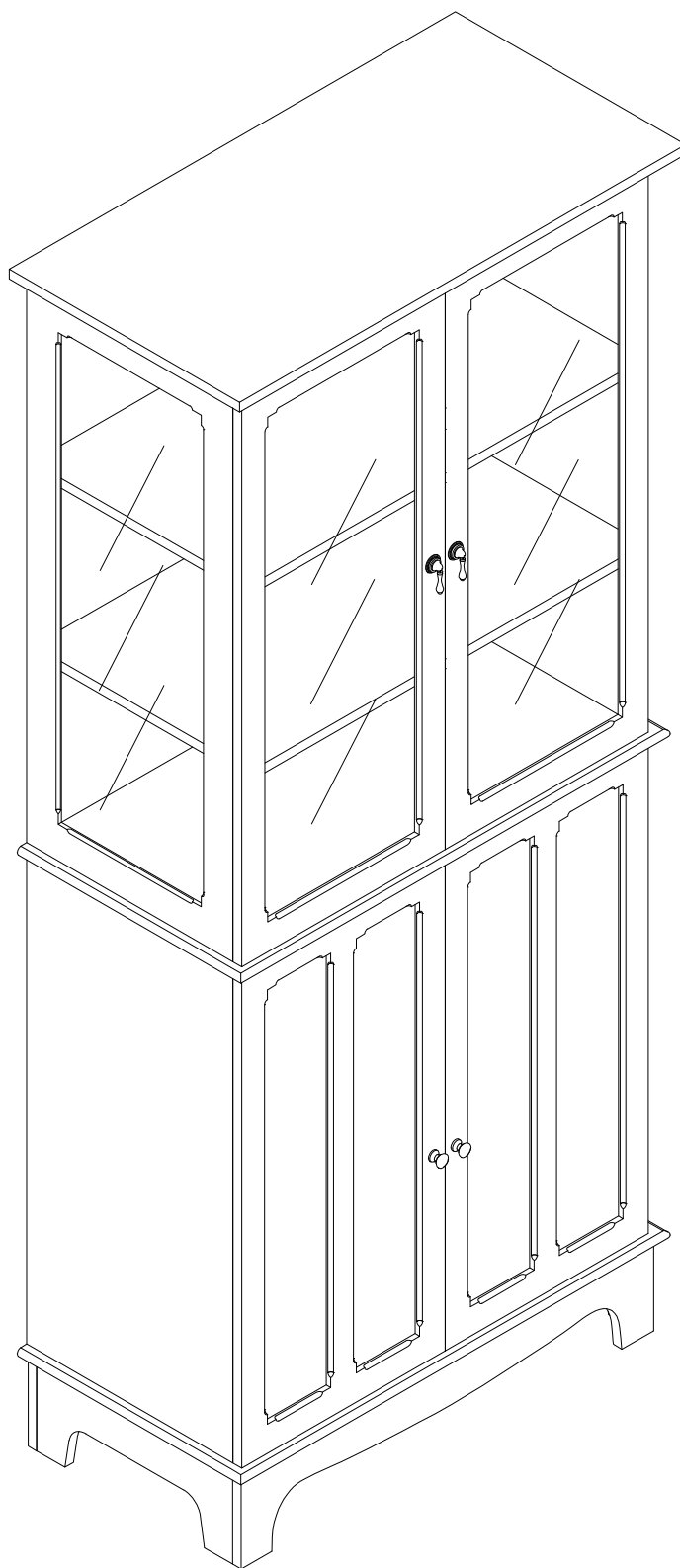
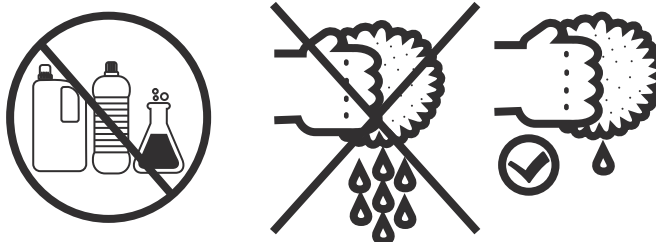
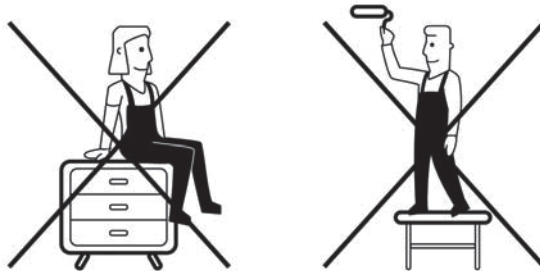
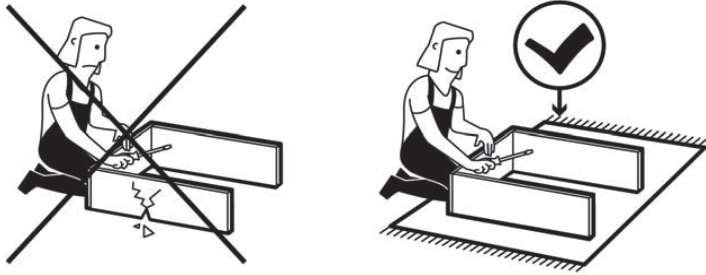
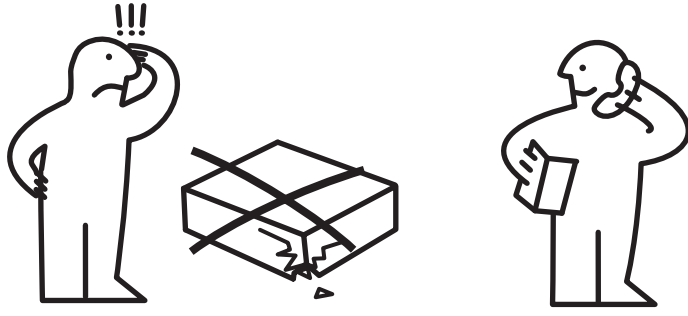
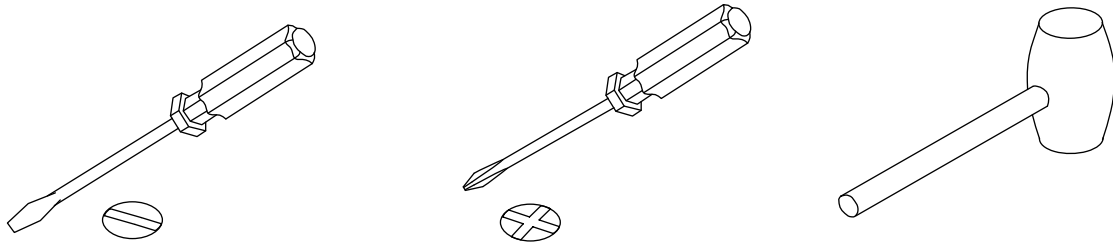


ASSEMBLY INSTRUCTIONS



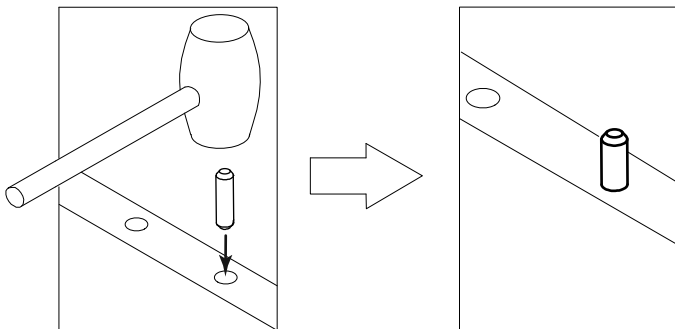


ASSEMBLY TOOLS REQUIRED (NOT INCLUDED)



- * Before discarding packing materials, please check all parts and hardware are presented.
- * Please follow the instructions closely.
- * After few days of initial assembly, the product may have acclimated to new environment, please tighten all hardware again.

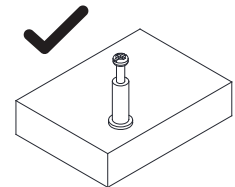
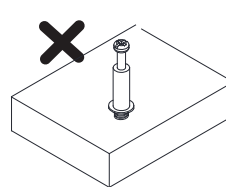
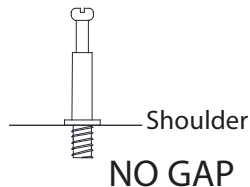
Dowel Installation



Gently tap dowel into hole with rubber mallet.

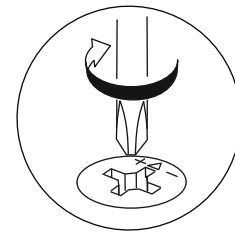
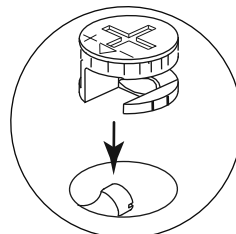
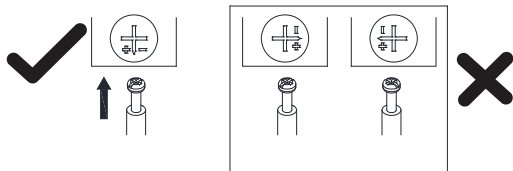
CAM-LOCK

Tighten until shoulder is flush with panel. Do not overtighten or undertighten

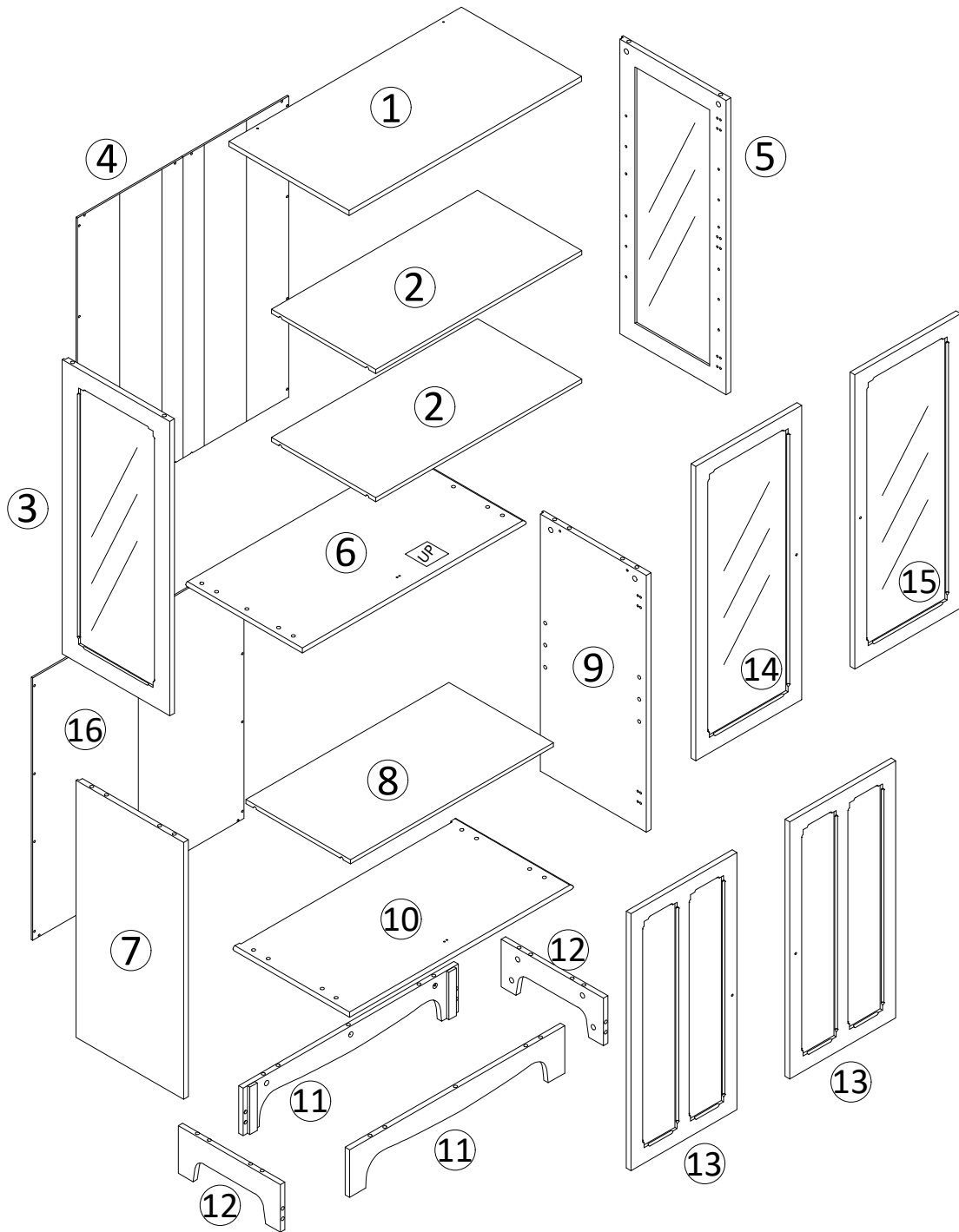


WHEN FITTING CAMS

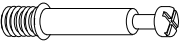

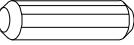
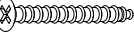

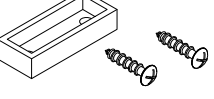


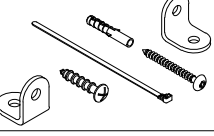
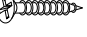
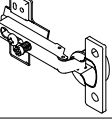
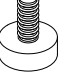
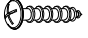


ENSURE STARTING POSITION IS CORRECT BEFORE YOU INSERT CONNECTING CAM-PILLAR
TURN CLOCKWISE UNTIL SECURE



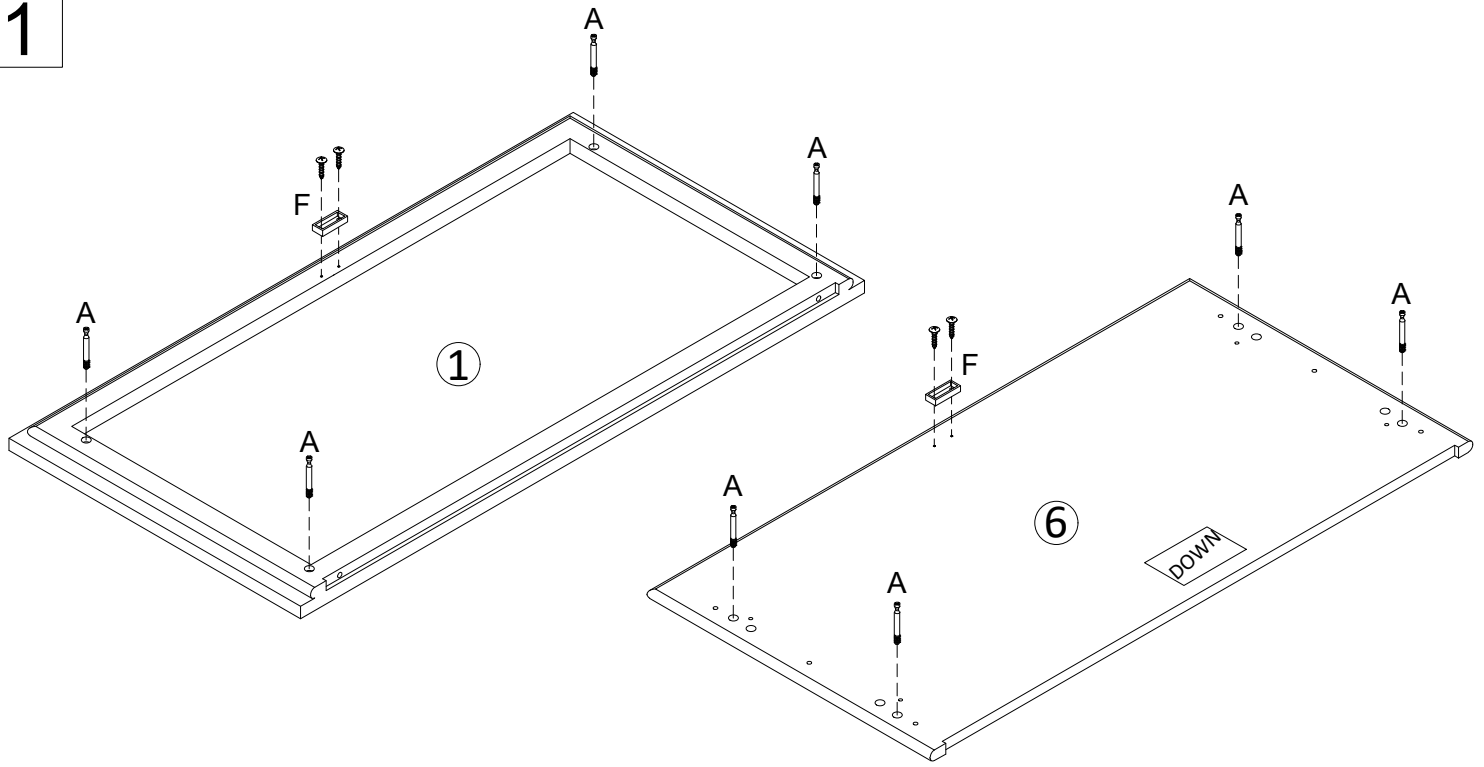
Laying out all the parts and hardware and identifying each part as shown below. It may help you when you assemble the item.



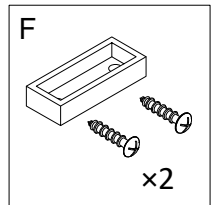
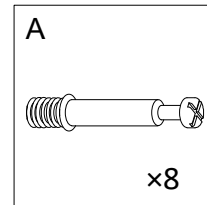
① ×1	② ×2	③ ×1	④ ×1	⑤ ×1	⑥ ×1
⑦ ×1	⑧ ×1	⑨ ×1	⑩ ×1	⑪ ×2	⑫ ×2
⑬ ×2	⑭ ×1	⑮ ×1	⑯ ×1		

<p>A ×22+2(Spare)</p>  <p>φ6×27mm</p>	<p>B ×22+2(Spare)</p>  <p>φ15×9.5mm</p>	<p>C ×24+2(Spare)</p>  <p>φ6×30mm</p>	<p>D ×10+2(Spare)</p>  <p>FA3.5×35mm</p>	<p>E ×12+2(Spare)</p>  <p>5×8/5×8mm</p>
<p>F ×4</p>  <p>FA3×12mm</p>	<p>G ×2</p>  <p>M4×20mm</p>	<p>H ×2</p>  <p>M4×18mm</p>	<p>I ×2</p>  <p>FA4×40mm/FA4×12mm</p>	<p>J ×60+2(Spare)</p>  <p>FA4×12mm</p>
<p>K ×10</p>  <p>φ26mm</p>	<p>L ×4</p>  <p>M6×15L-φ21×7T</p>	<p>M ×28+2(Spare)</p>  <p>FA3×12mm</p>	<p>N ×4</p>  <p>25×15mm/FA3×12mm</p>	<p>O ×4</p>  <p>φ21 Sticker</p>

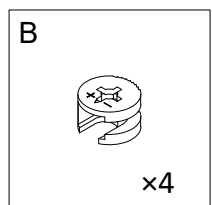
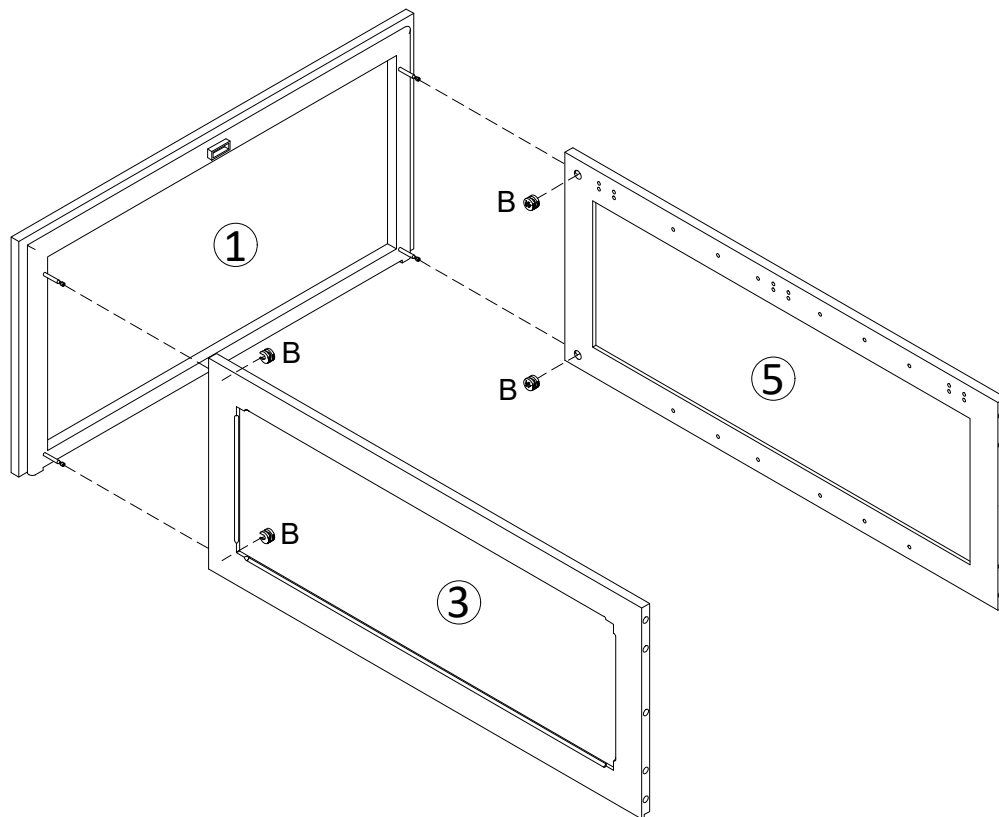
1



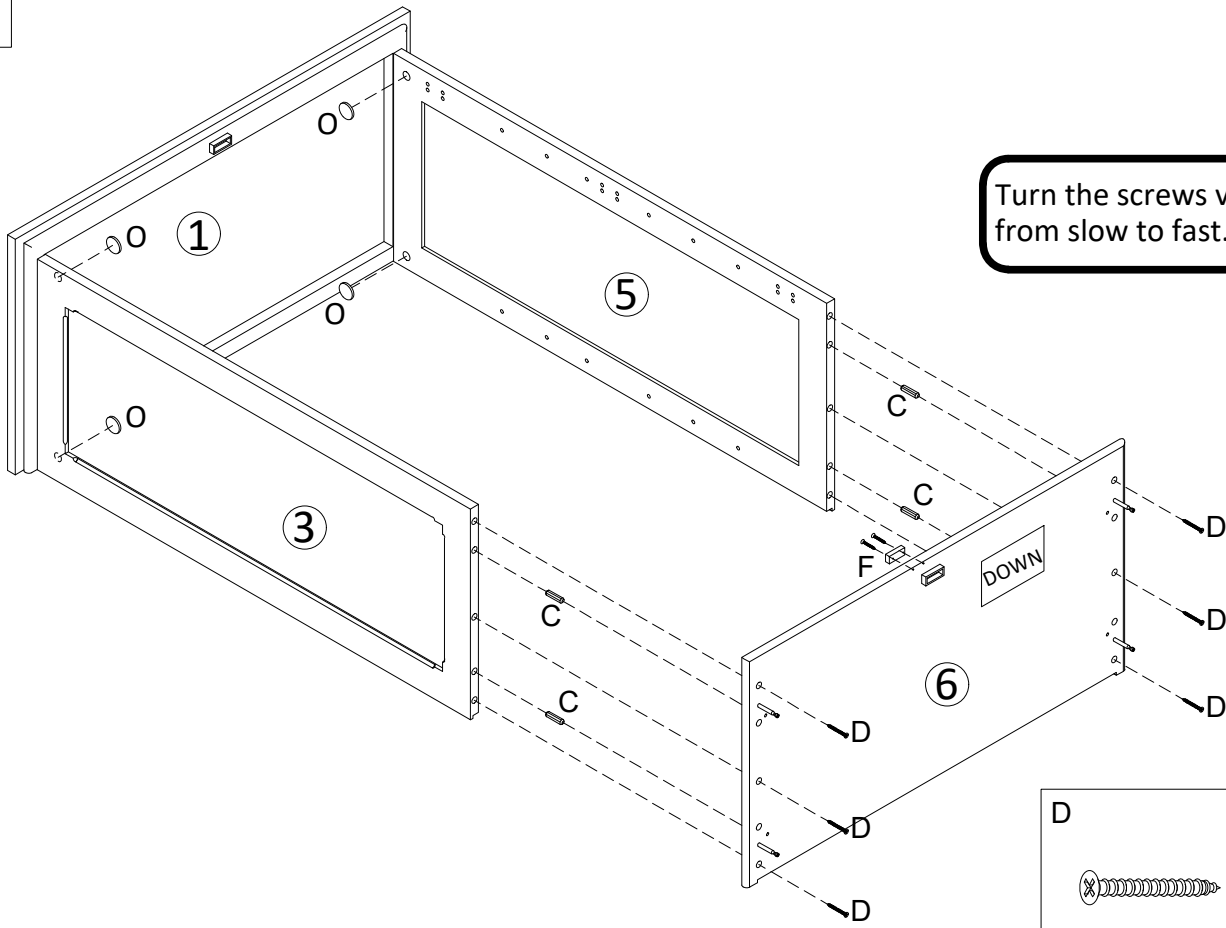
Turn the screws vertically
from slow to fast.



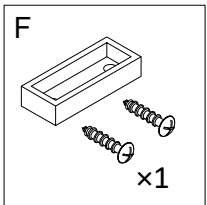
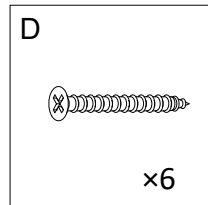
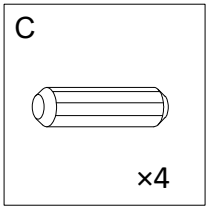
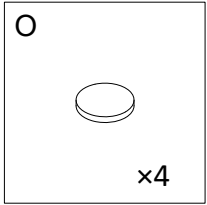
2



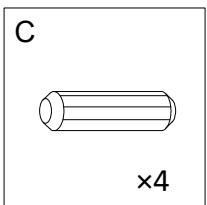
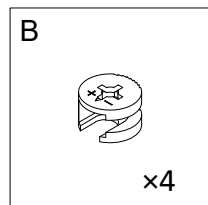
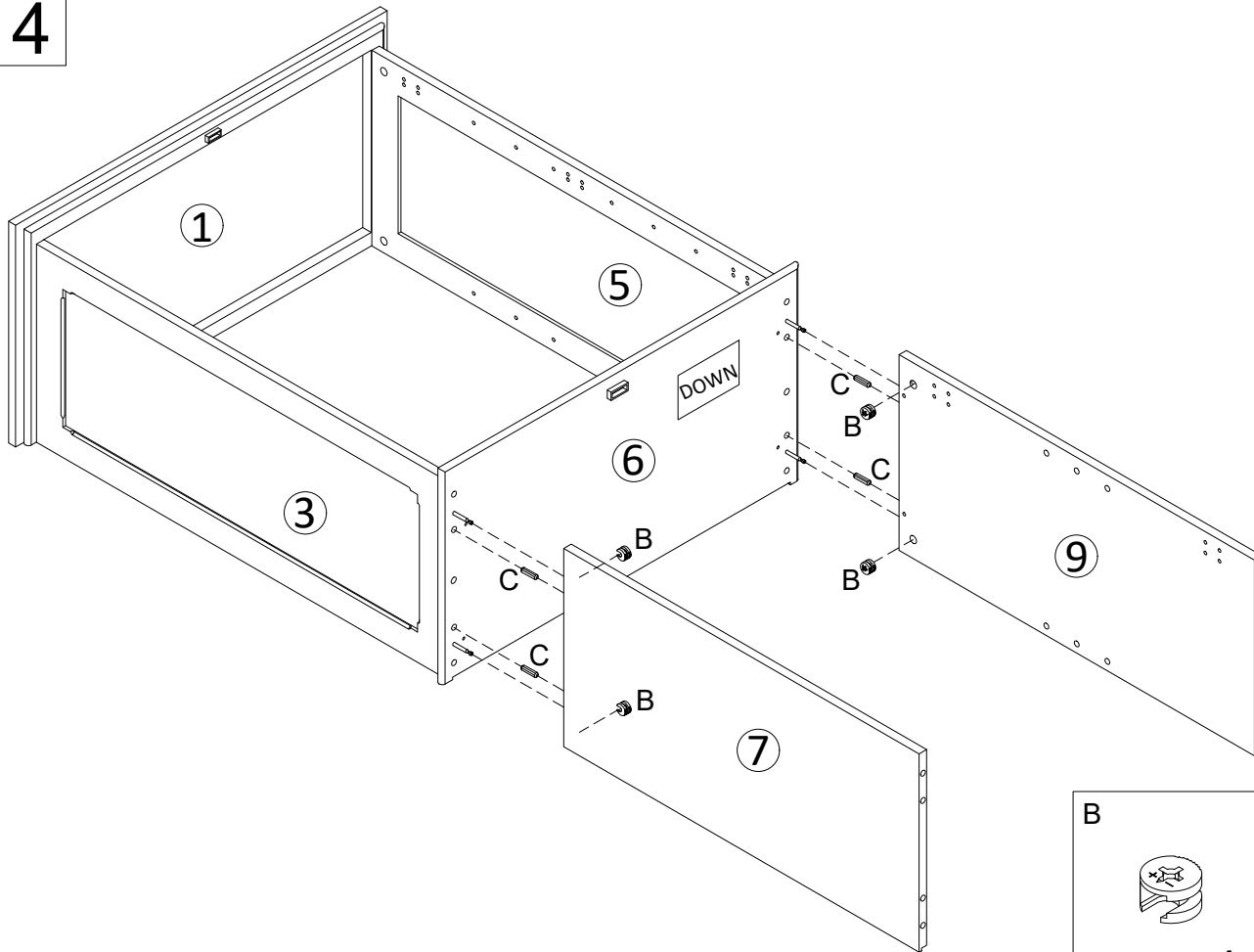
3



Turn the screws vertically from slow to fast.

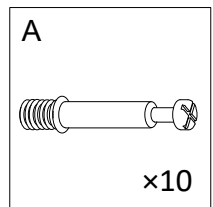
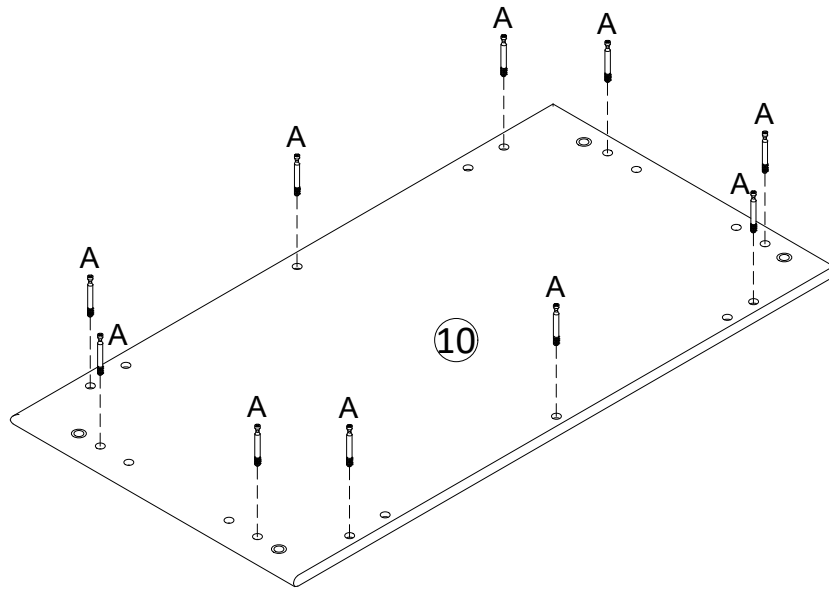


4

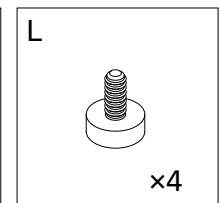
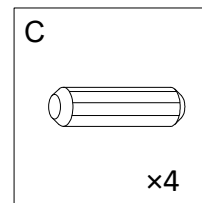
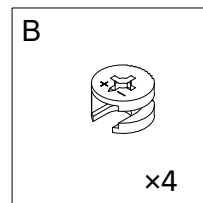
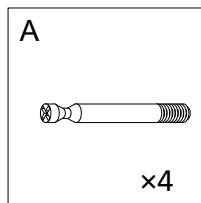
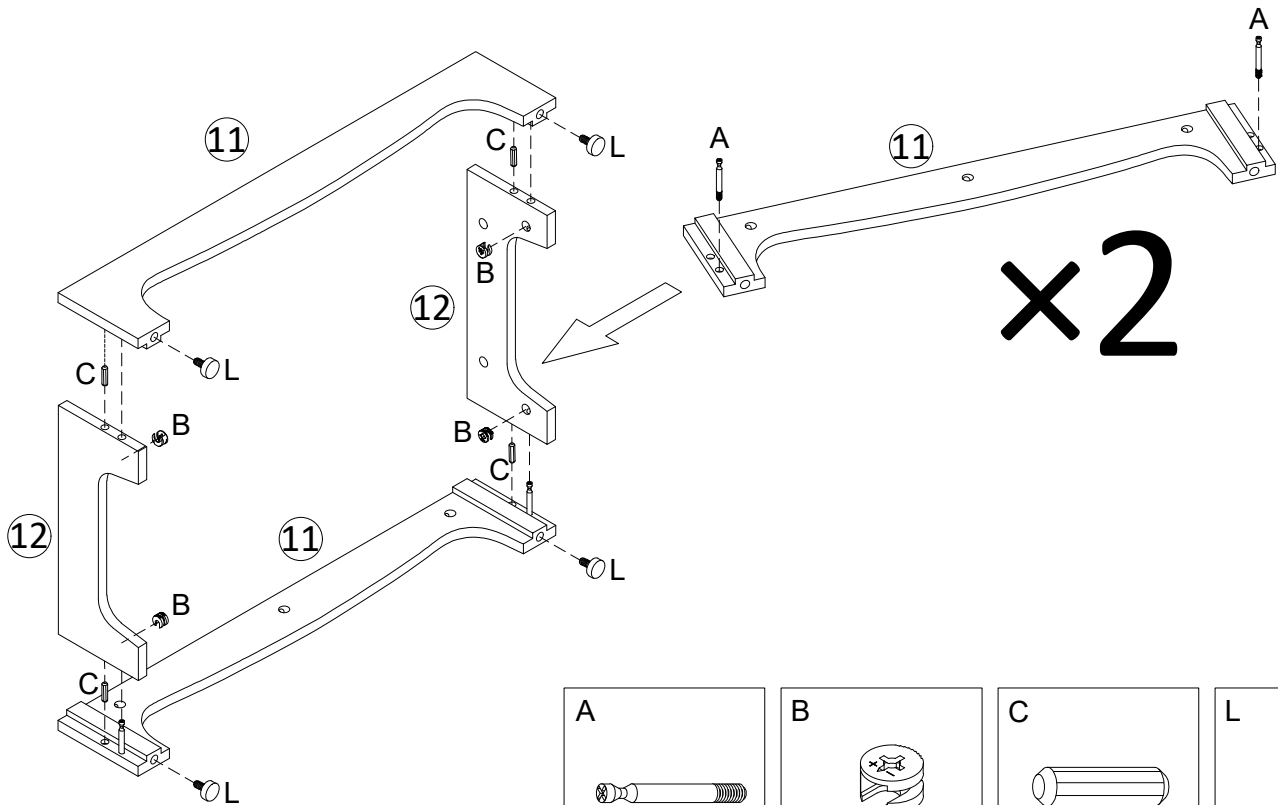


5

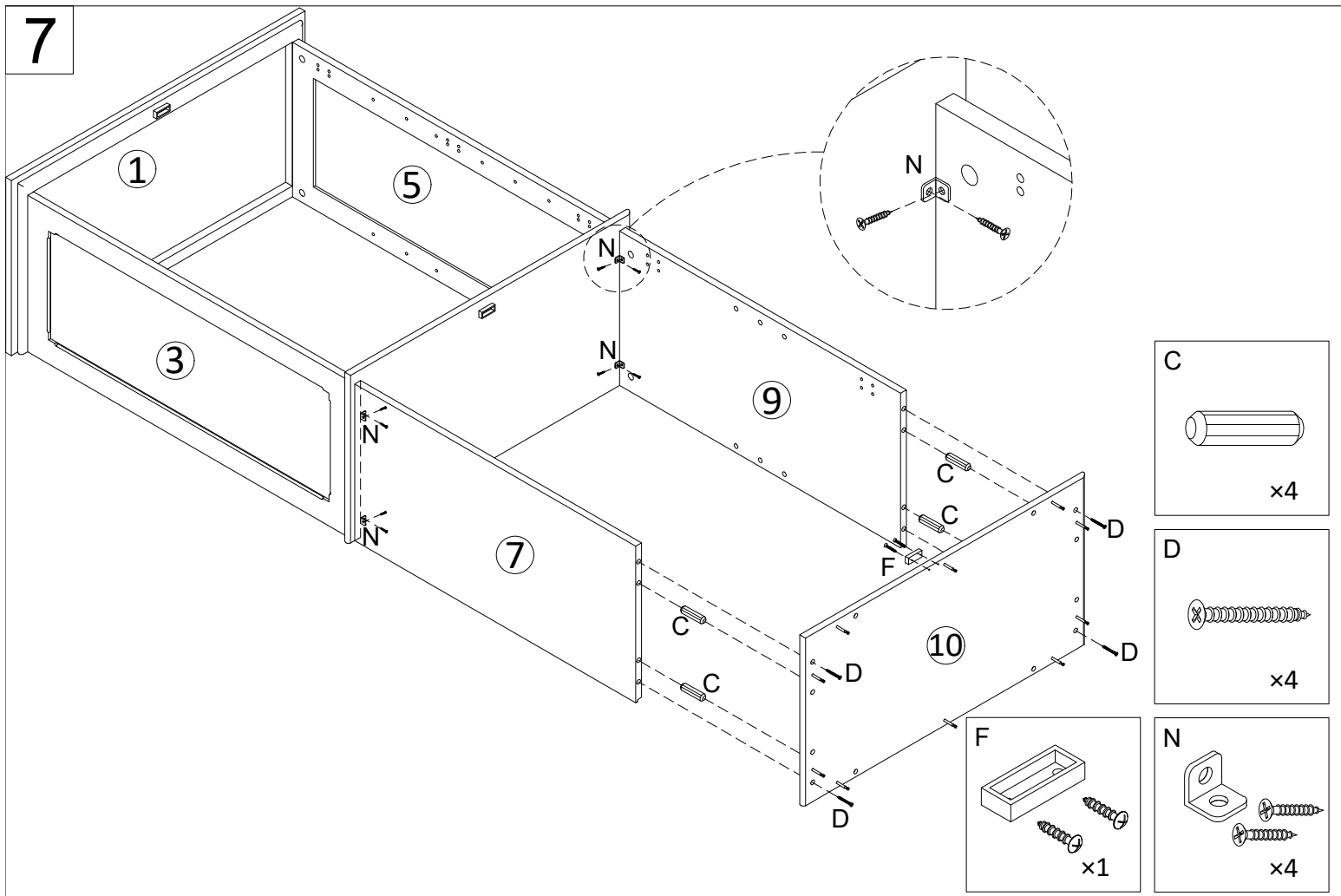
Turn the screws vertically from slow to fast.



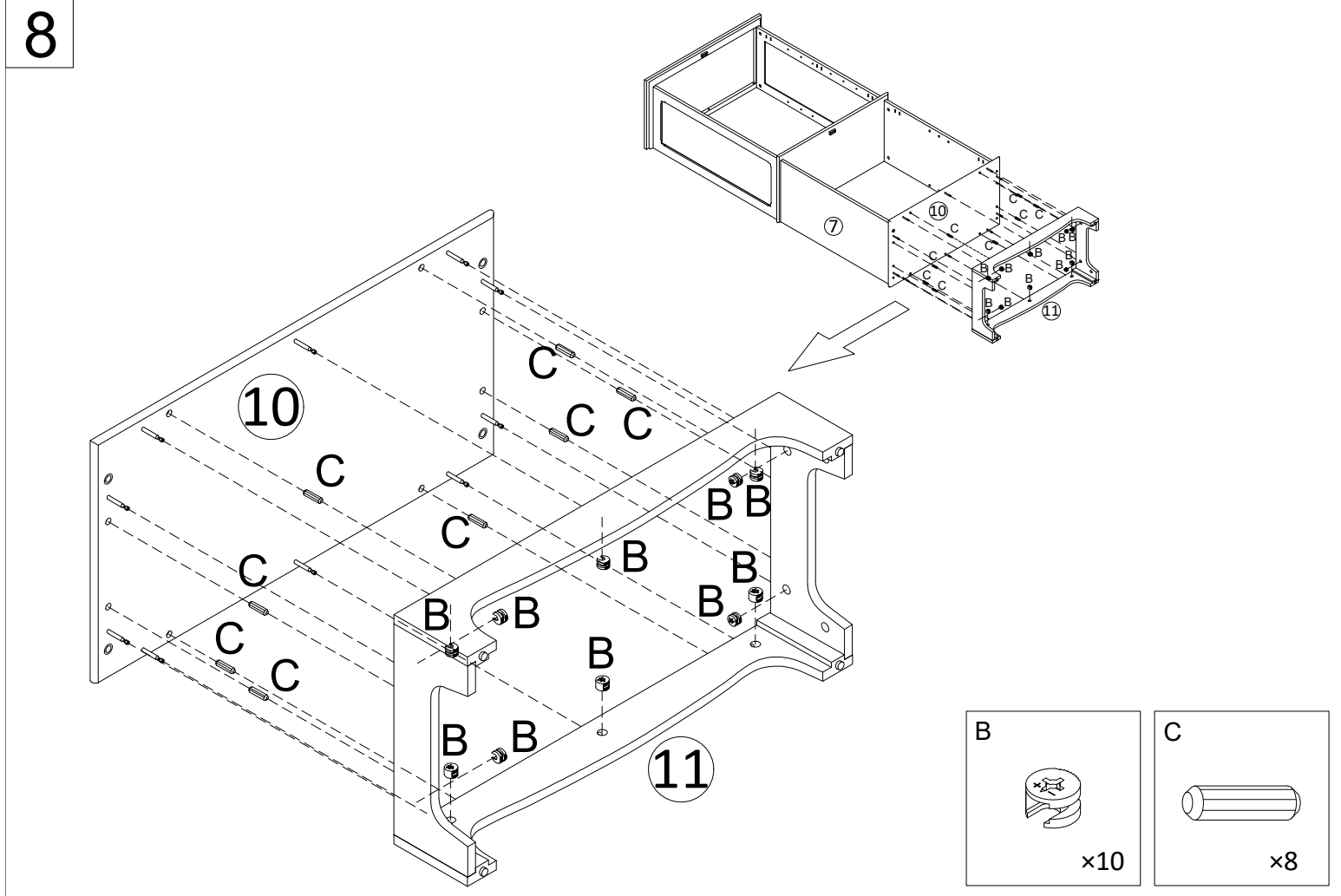
6



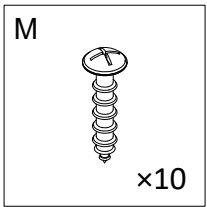
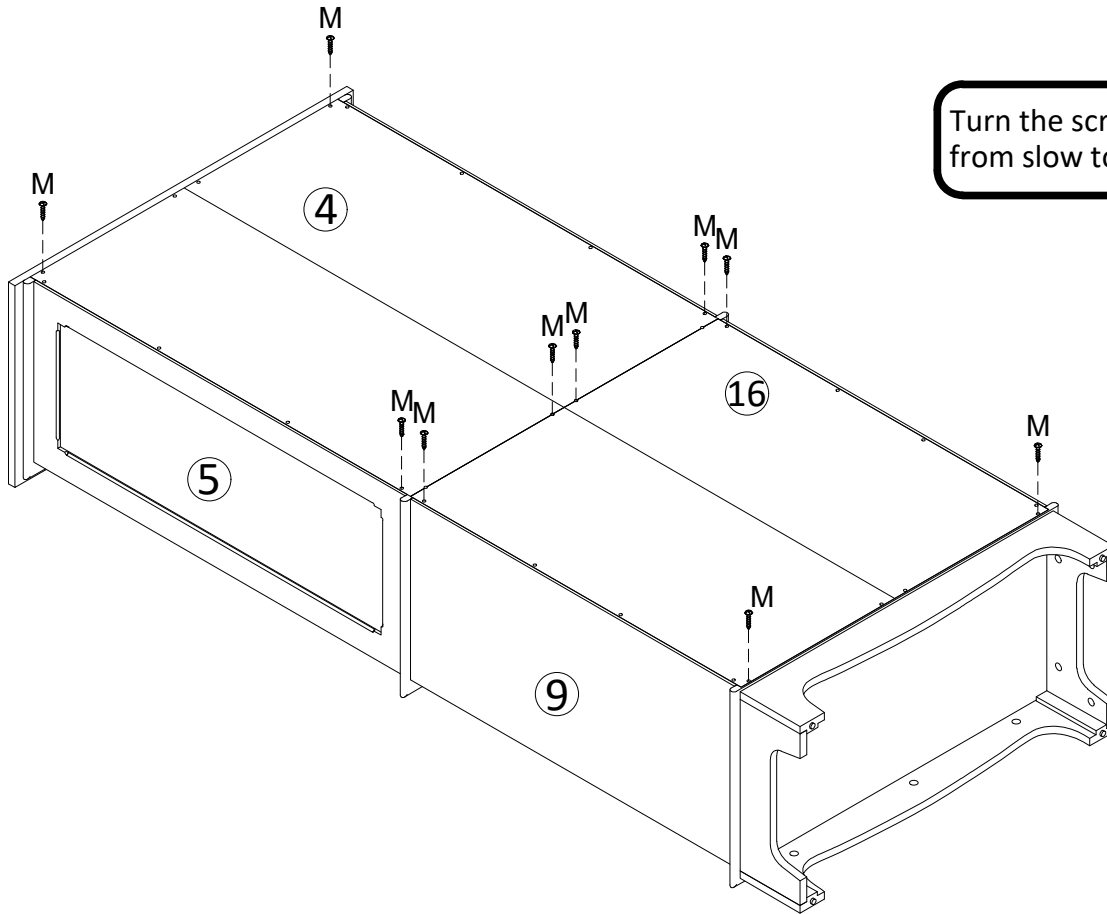
7



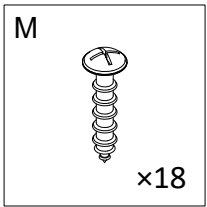
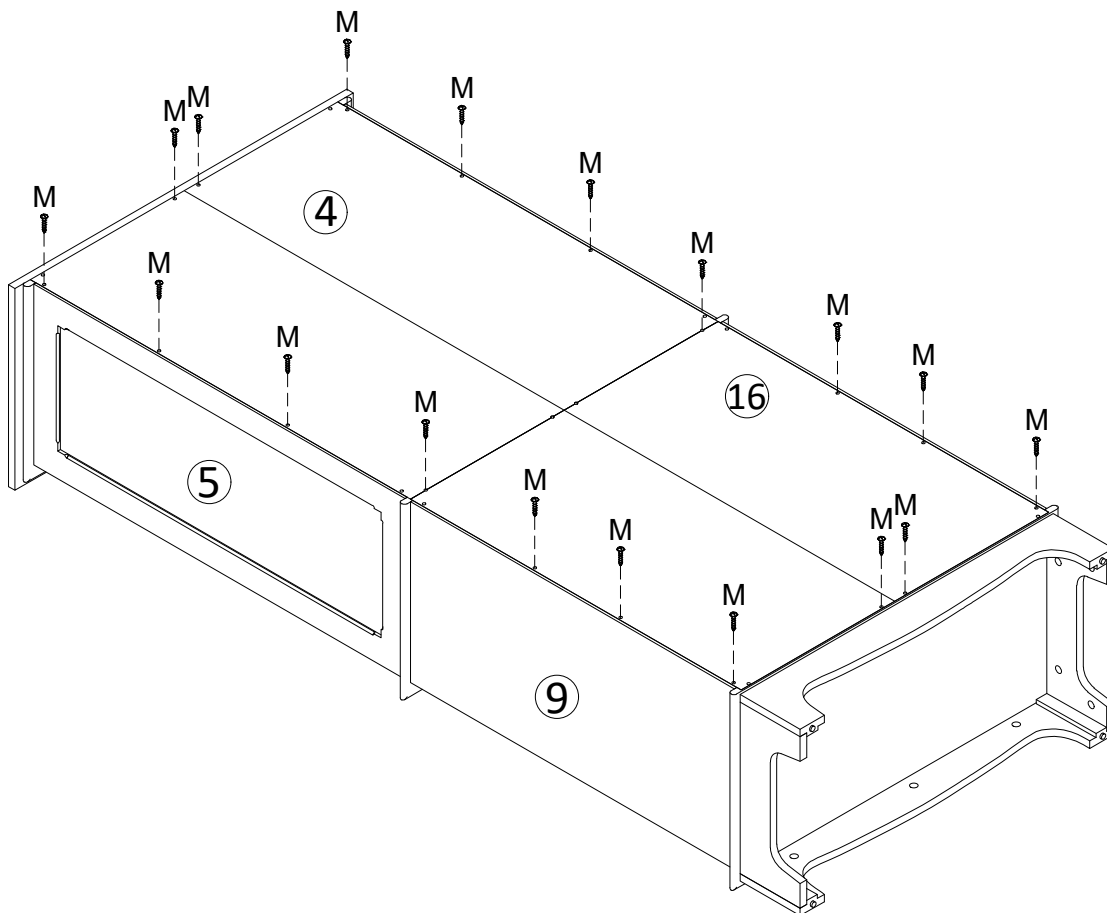
8



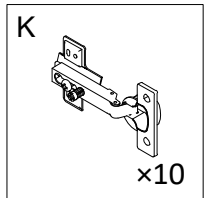
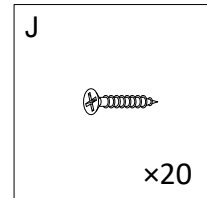
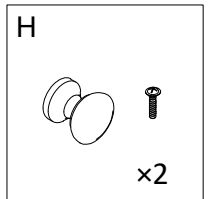
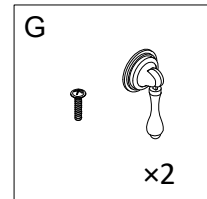
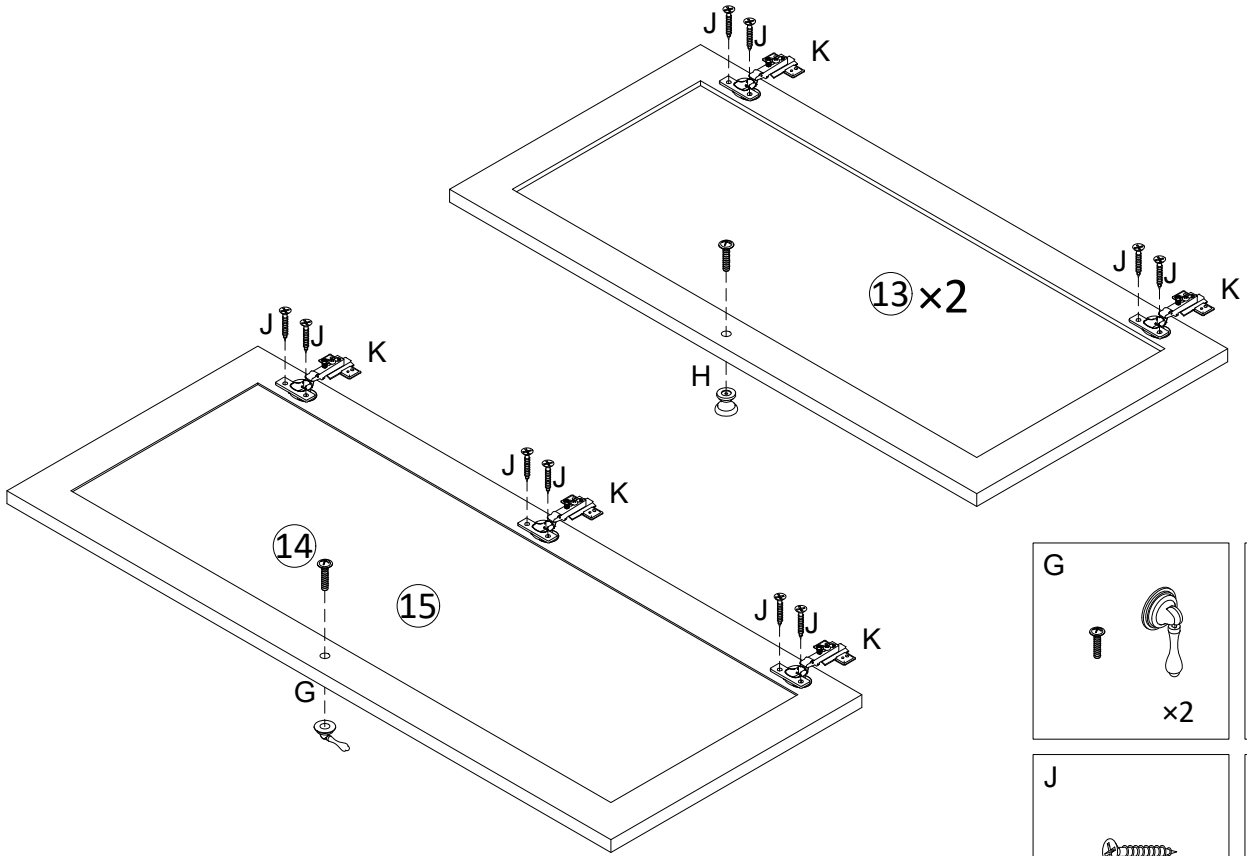
9



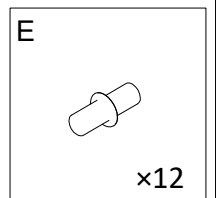
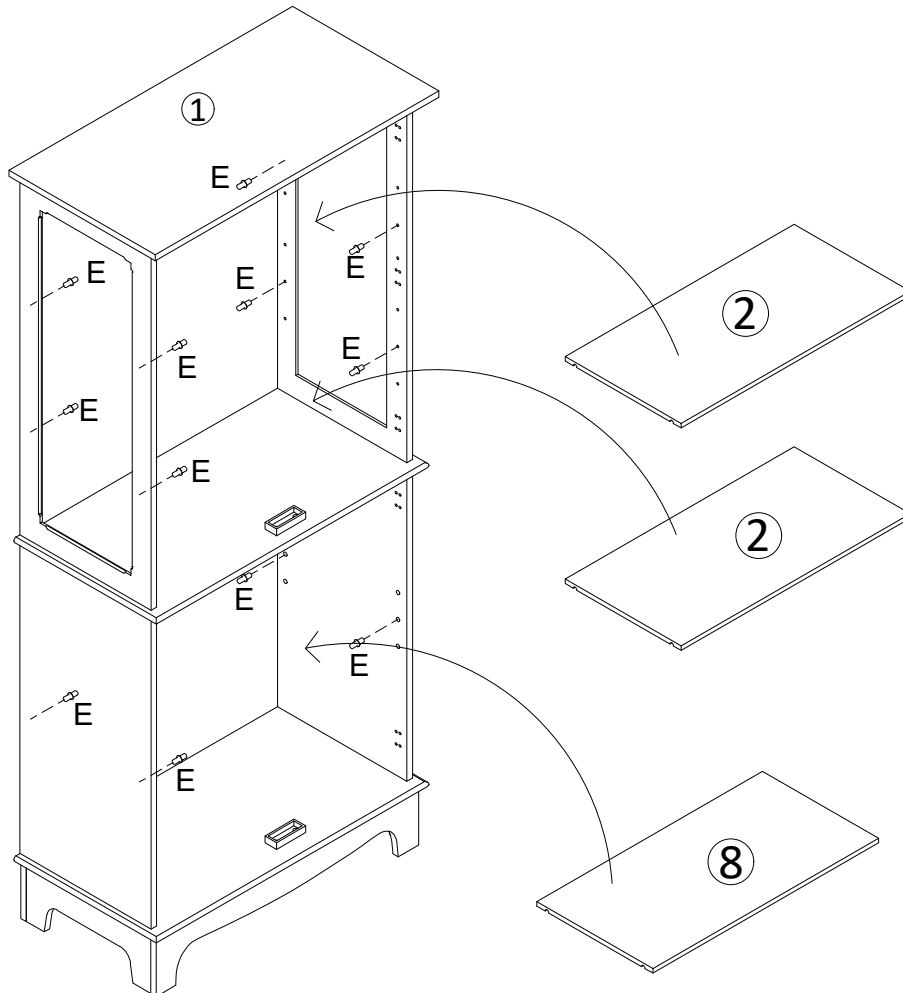
10

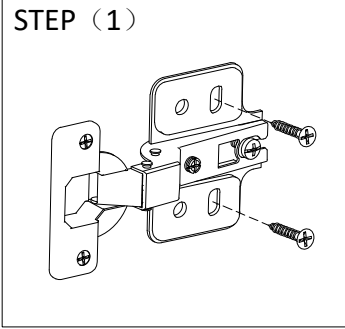


11

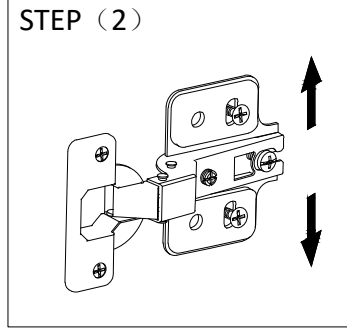


12

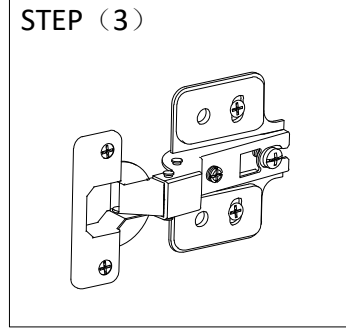




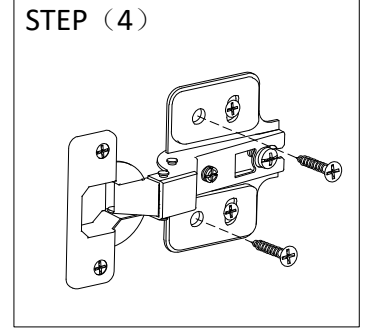
Tips: Turning the screw to approx 50% tightness, don't be fully tight.



Tips: Moving the hinges up or down appropriately to adjust the gap between the door with the cabinet top and bottom.

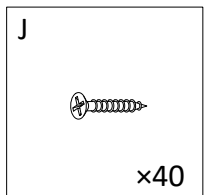
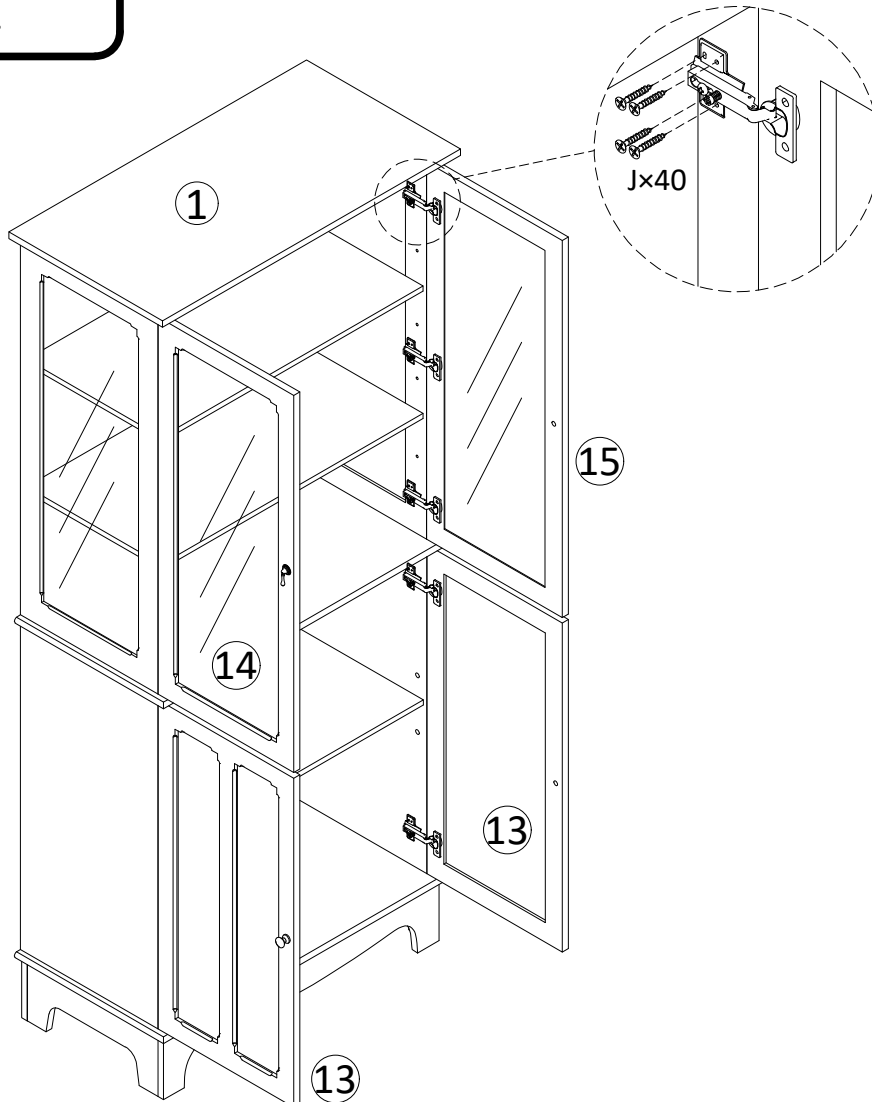


Tips: Tightening the screws completely.

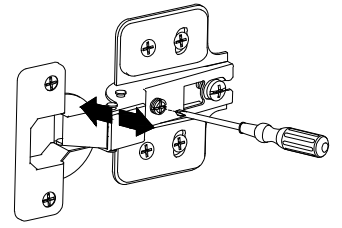
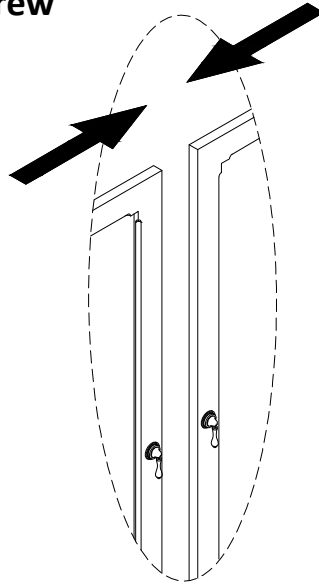
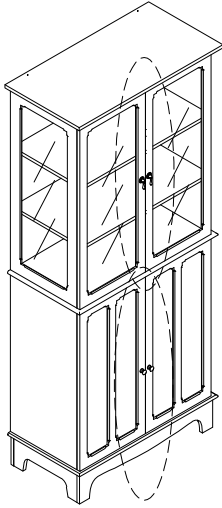


Tips: Tightening the other screws completely.

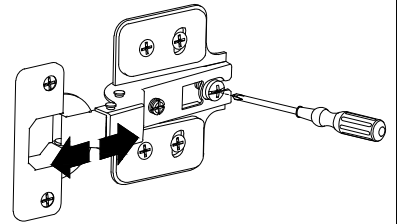
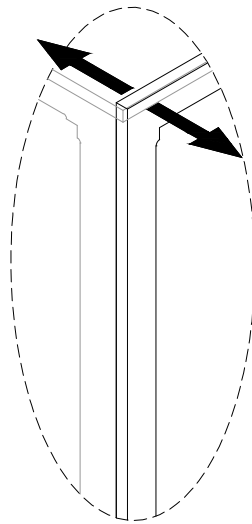
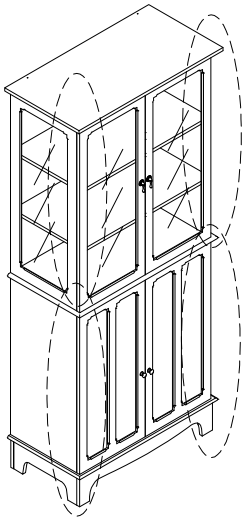
Turn the screws vertically from slow to fast.



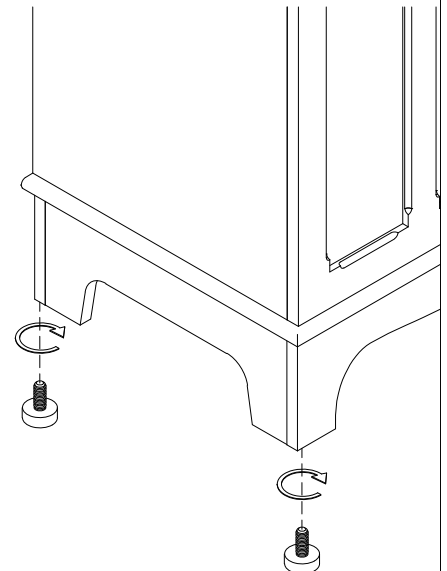
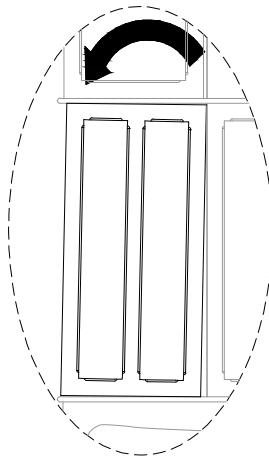
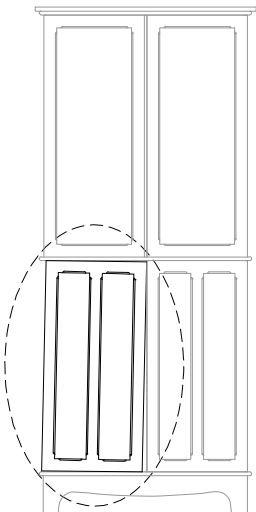
14 Tips: If the gap between two doors is too far or close, please turning the screw as shown below.



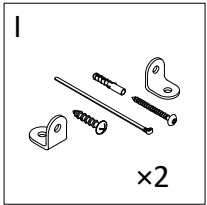
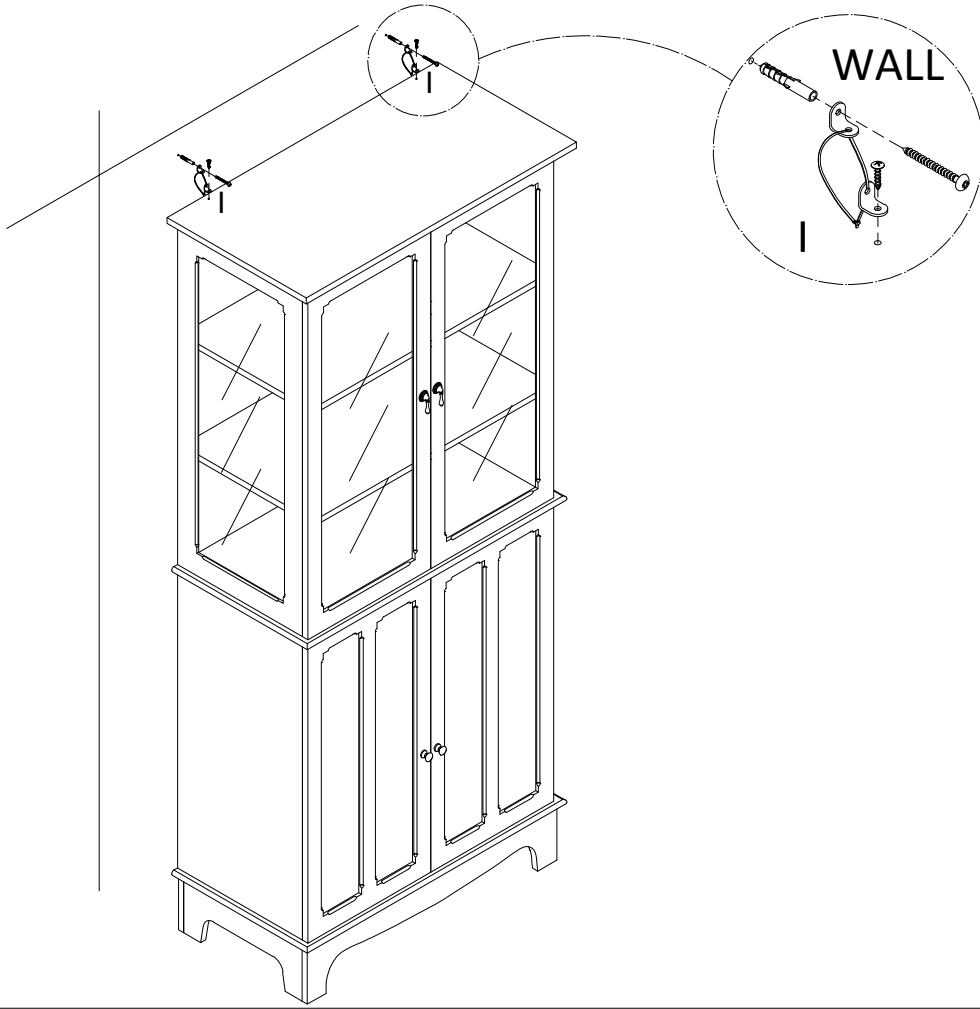
Tips: Adjusting the screw as shown in the following picture can make the door move forward or backward.



Tips: Adjusting the levelers appropriately underneath the bottom of the foot can make the gaps between the door and frames of cabinet even.



15



16

