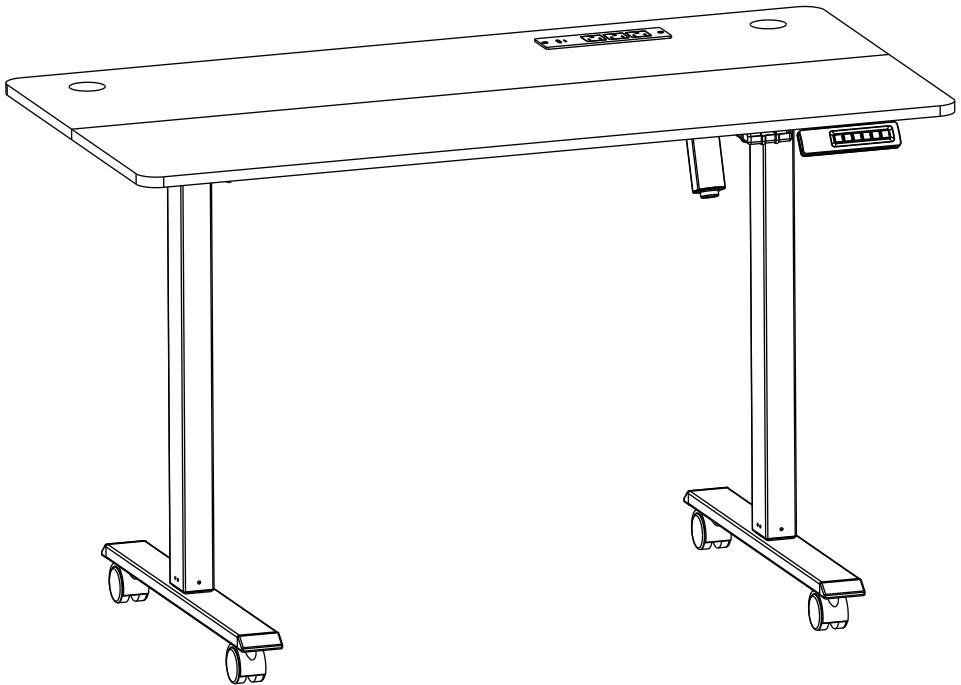


# Electric Standing Desk

## Instruction Manual



**Important-Please read these instructions before assembly.**

If you encounter any problems during installation,  
please feel free to contact us!



**IMPORTANT INFORMATION  
READ CAREFULLY.  
KEEP THIS INFORMATION FOR FURTHER REFERENCE.**

## **GENERAL GUIDELINES**

- Please read the following instruction carefully and use the product accordingly.
- Please keep this manual and hand it over when you transfer the product.
- This summary may not include every detail of all variations and considered steps. Please **contact us** when further information and help are needed.

## **NOTES**

- Please follow the assembly instructions precisely and only use the product as intended.
- If an odor is present when first opening the package, please leave the unwrapped product in a shaded and ventilated area for a few days to air out.
- Prior to assembly, please check the product for defects or missing accessories. If any defects are found or accessories are missing, do not use product as damage or injury may occur;
- Please **contact us** for assistance and replacement.
- During assembly, please only slightly tighten all screws in their correct position first, then fully tighten them. A Philips screwdriver is recommended but not included.
- It is suggested you regularly check the products bolts and connections to ensure safe use.
- Assemble the item on a soft flat and clean surface to avoid scratches and damage.

## **WARNINGS**

- During assembly, keep parts and packaging materials away from children and pets as there could cause injury and are a potential choking hazard.
- Avoid sharp objects or corrosive chemicals to prevent damage to the product.
- Please open the item slowly and cautiously to avoid pinching your hands by metal joints, especially children.
- The desk must be reset to the lowest height before starting to use the desk and when it needs to disassemble the accessories be reinstalled.



For indoor use only

## Specifications

Height Adjustment Range:  
27.5" – 46.4" (70cm–118cm)



Power Input  
100V–240V



Max. Speed  
25mm/s

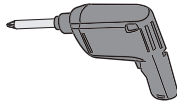


Operating Noise  
< 50dB



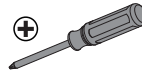
Load Capacity  
176 lbs / 80kg

## Tools Needed



Drill (not included)

OR



Screwdriver

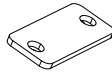
**00** x1

## Supplied Parts and Hardware for Step 1



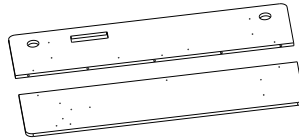
Screw  
ST5 x 14mm

**E** x6



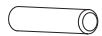
Desktop Panel  
Connector

**F** x3



Desktop

**10** x1

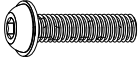


Wood Dowel Pin

**G**

**120mm x 5 /  
140mm x 6**

## Supplied Parts and Hardware for Step 2



Bolt  
M6 x 30mm

**A** x 12



Bolt  
M6 x 10mm

**B** x 4



Set Screw

**C** x 2



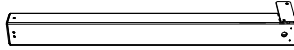
Allen Wrench  
5/32" (4mm)

**D** x 1



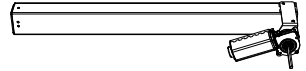
Crossbar

**01** x 1



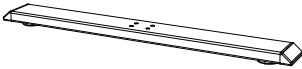
Left Desk Leg

**02** x 1



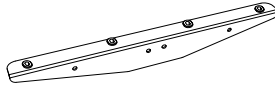
Right Desk Leg

**03** x 1



Leg Base

**04** x 2



Side Plate

**05** x 2



Transmission Rod

**06** x 1



Storage Hook

**07** x 2



Rod Coupler

**08** x 1



Wrench

**09** x 1



Extra Rubber Pads

## Supplied Parts and Hardware for Step 3



Screw  
ST5 x 14mm

**E** x 14



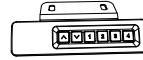
AC Adapter Holder

**11** x 1



AC Adapter

**12** x 1



Controller

**13** x 1



Caster

**14** x 4

## Supplied Parts and Hardware for Step 4



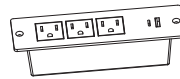
Power Cable

**15** x 1



Cable Clip

**16** x 4



Socket

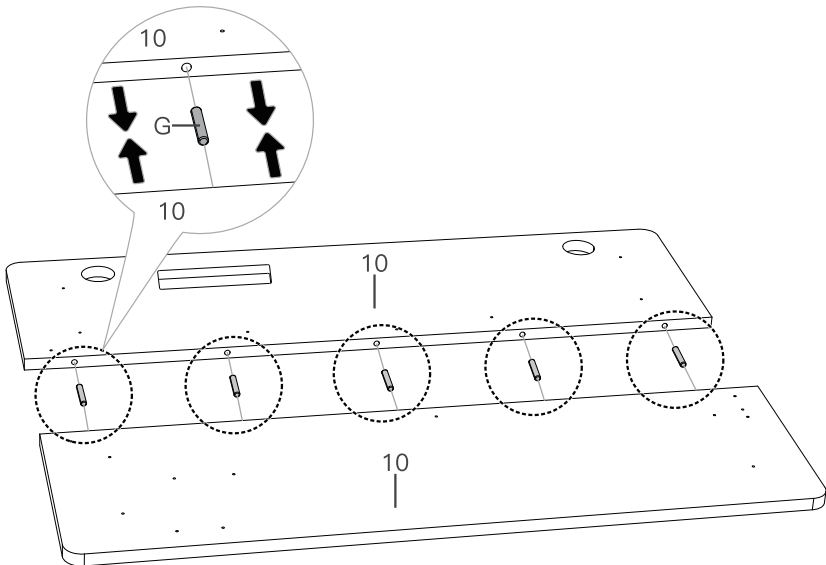
**17** x 1

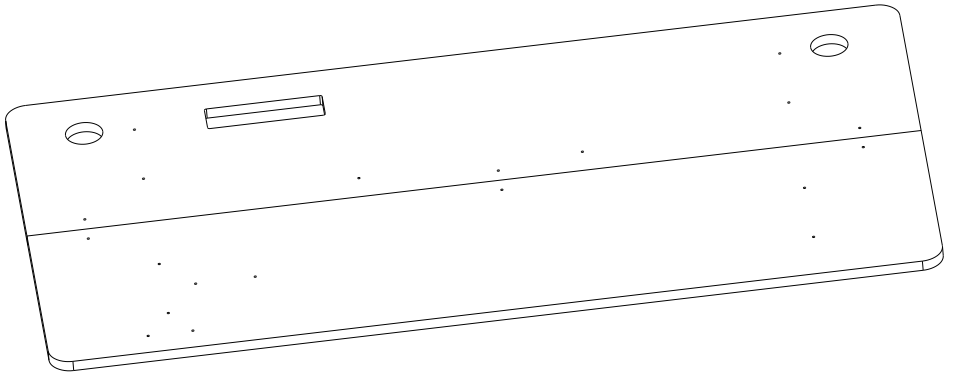
### Notice!

When the screw is tightened, do not continue to tighten it forcefully, otherwise the screw may be damaged.

## Step 1 : Assembling the Desktop

Use wood dowel pins to join the two desktop panels together.





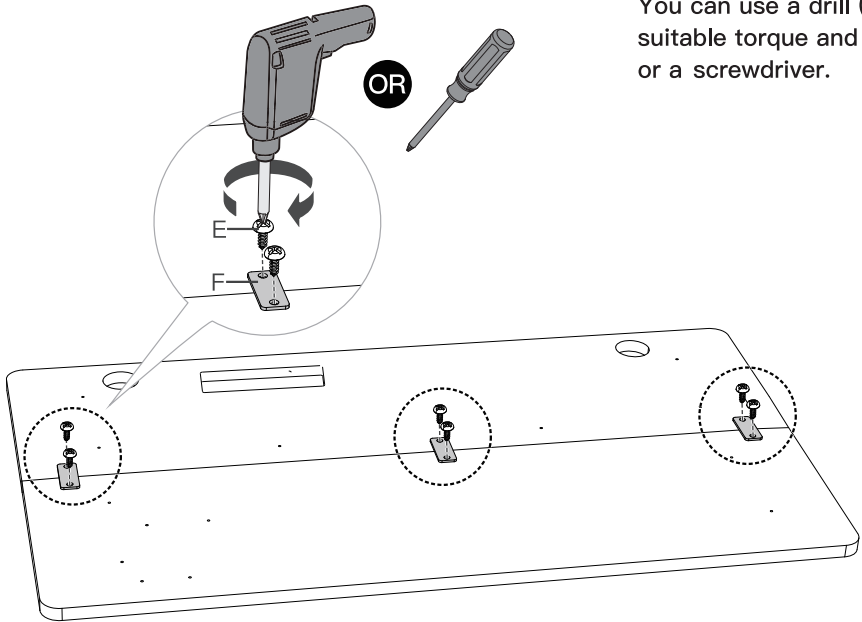
Secure the desktop panels with the connectors.



OR

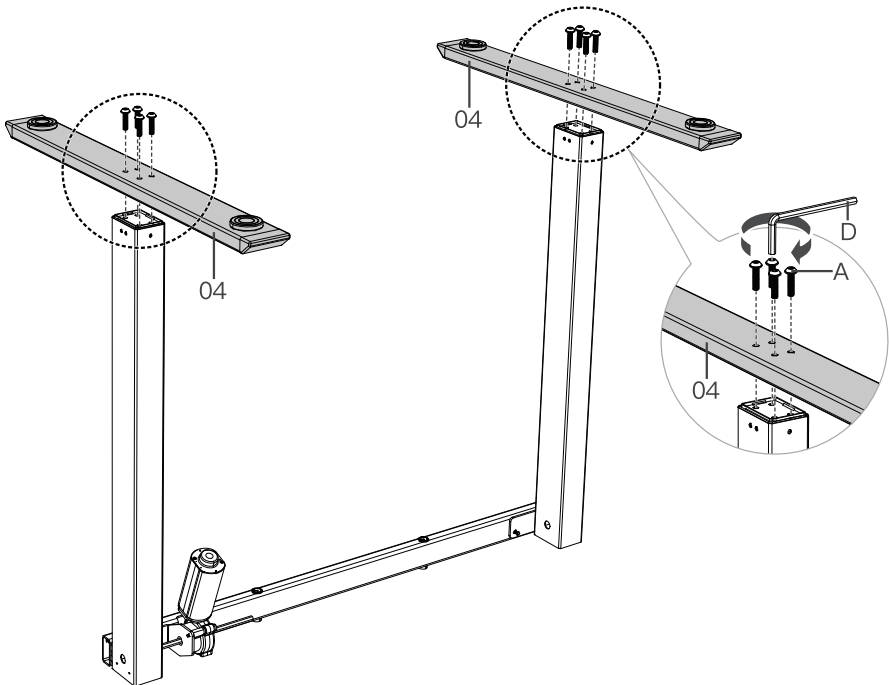
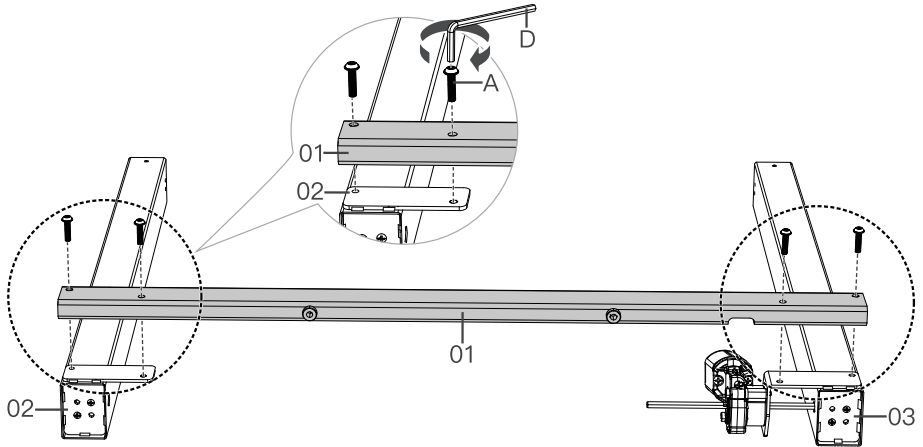


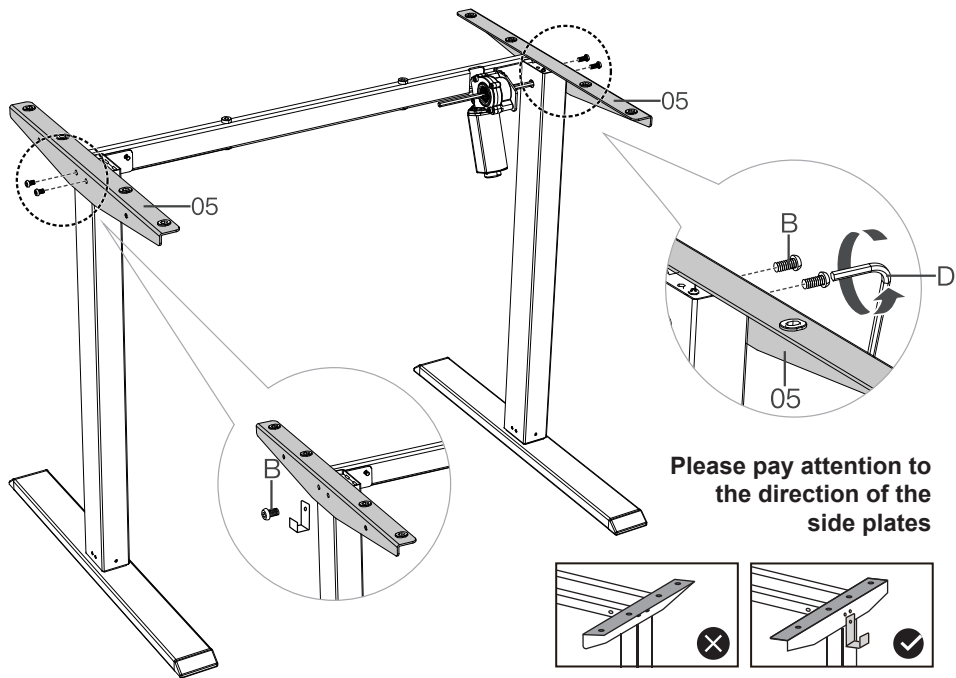
You can use a drill (with suitable torque and speed) or a screwdriver.



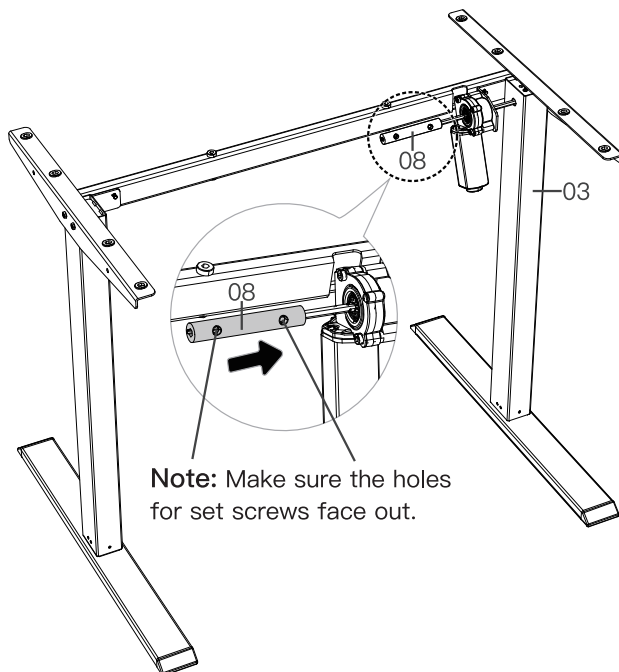
## Step 2: Assembling the Frame

Align holes in the crossbar with holes in the desk legs, and insert four bolts. Partially and then fully tighten each pair of bolts.



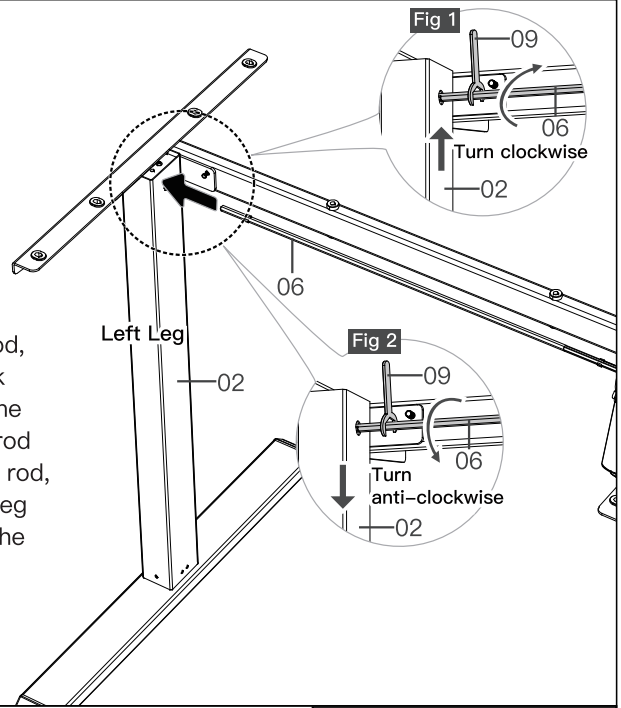


Slide the rod coupler onto the end of the motor drive shaft on the right leg.

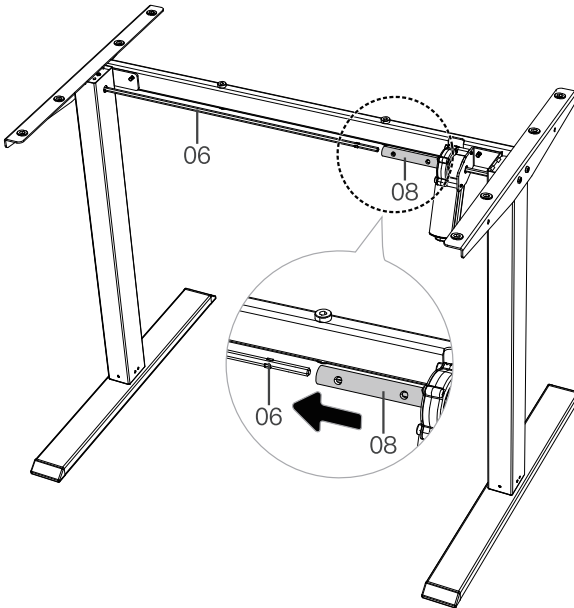


### Adjust uneven desk legs:

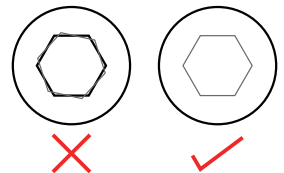
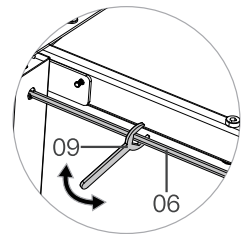
Before attaching the transmission rod, measure the heights of the two desk legs to see if they are set at the same level. If not, insert the transmission rod into the hole in the left leg. Turn the rod, using the wrench, to adjust the left leg so it's level with the right leg. Turn the rod clockwise to raise the left leg or anti-clockwise to lower it.



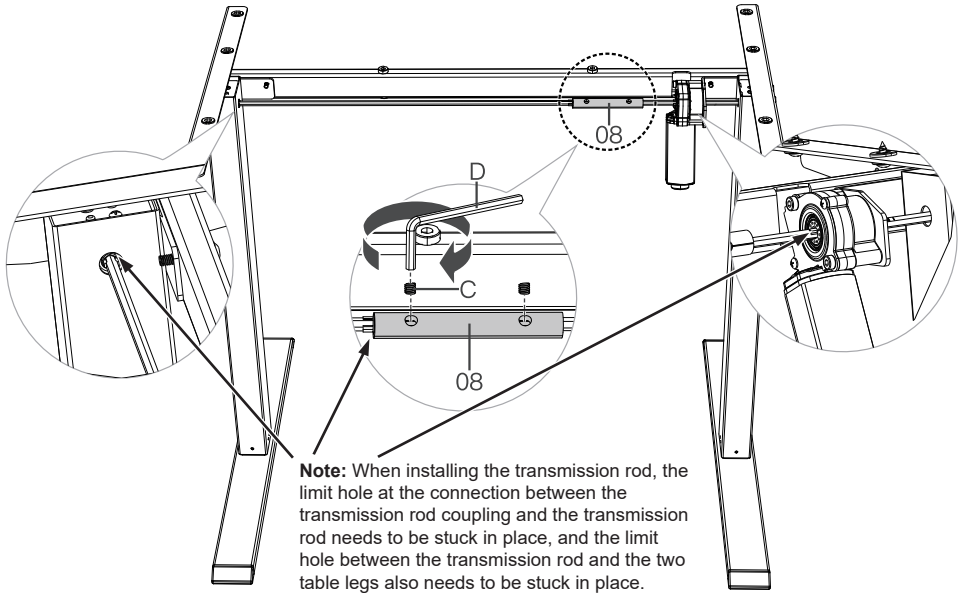
Ensure the transmission rod is properly inserted into the hole in the left leg. Slide the rod coupler to the left to connect with the other end of the transmission rod.



**Note:** If the transmission rod doesn't fit smoothly into the hole of rod coupler, fine-tune fit with the wrench.

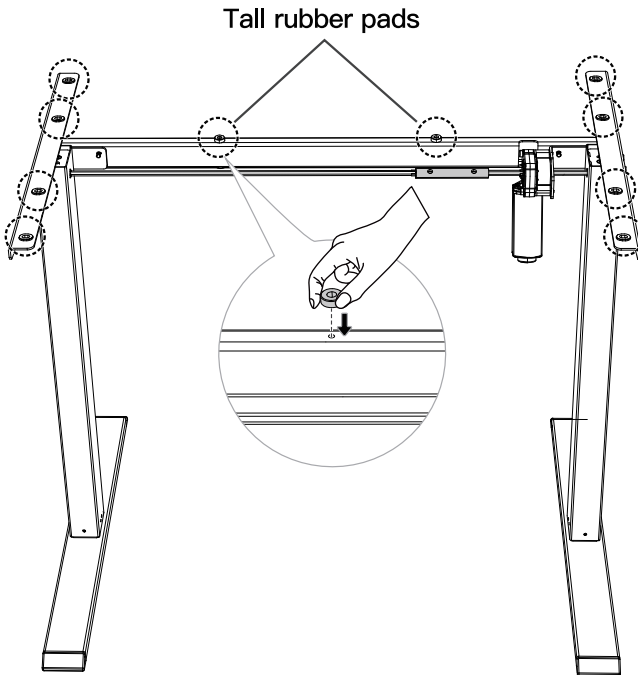


Use the set screws to secure the rod coupler.



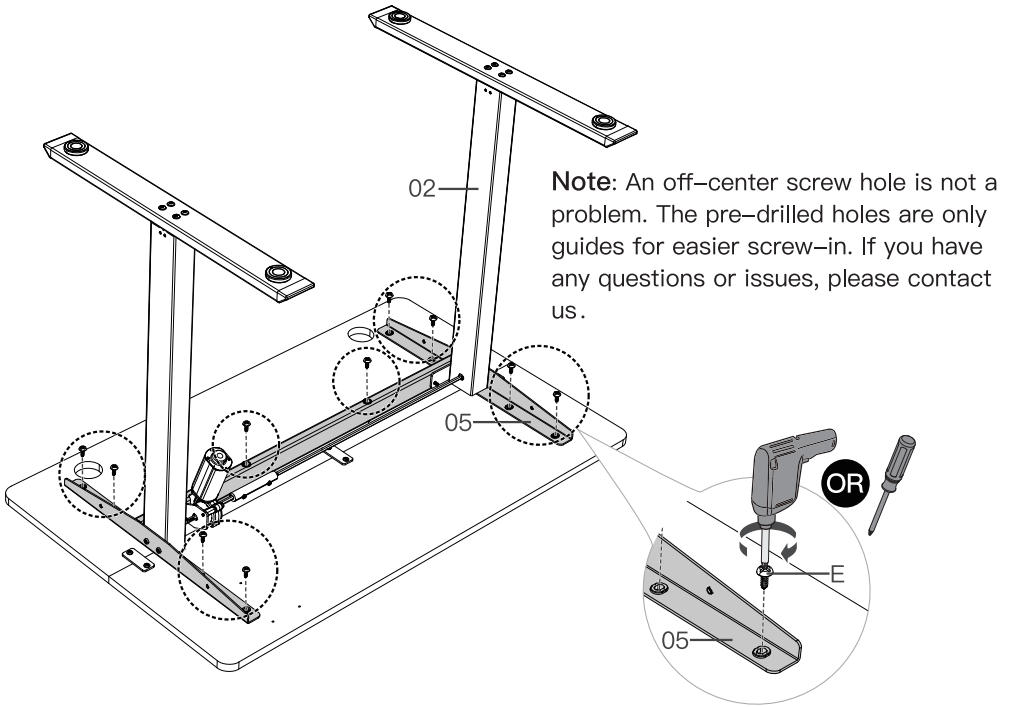
**Note:** When installing the transmission rod, the limit hole at the connection between the transmission rod coupling and the transmission rod needs to be stuck in place, and the limit hole between the transmission rod and the two table legs also needs to be stuck in place.

Ensure the rubber pads are attached to the frame. If any have fallen off, reattach them or use the spare rubber pads.

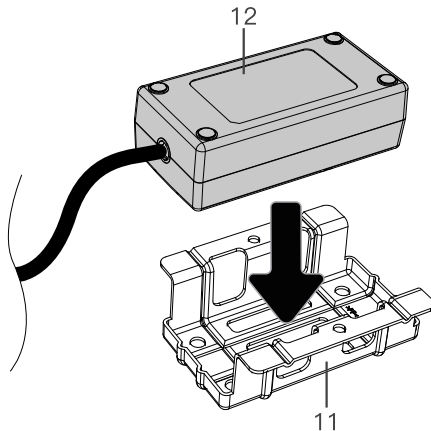


## Step 3: Attaching the Desktop

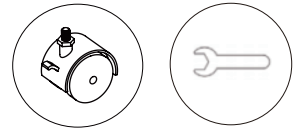
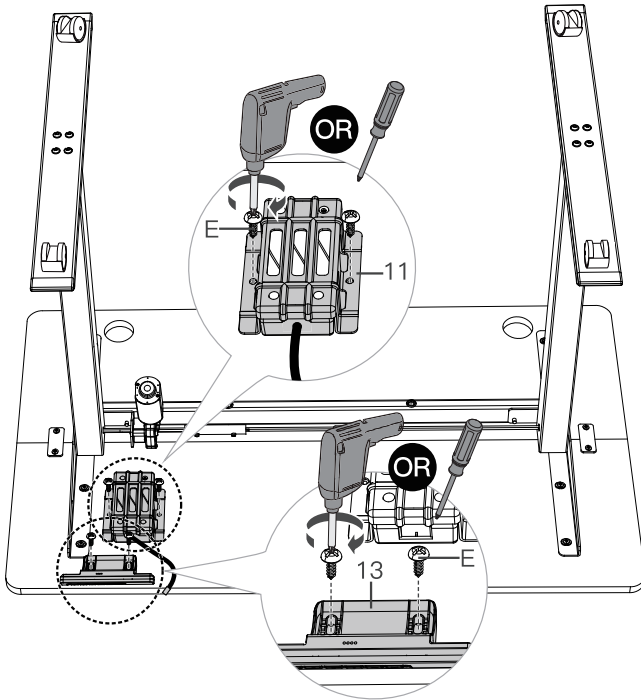
Attach the frame to the desktop.



Put the AC adapter into the holder.

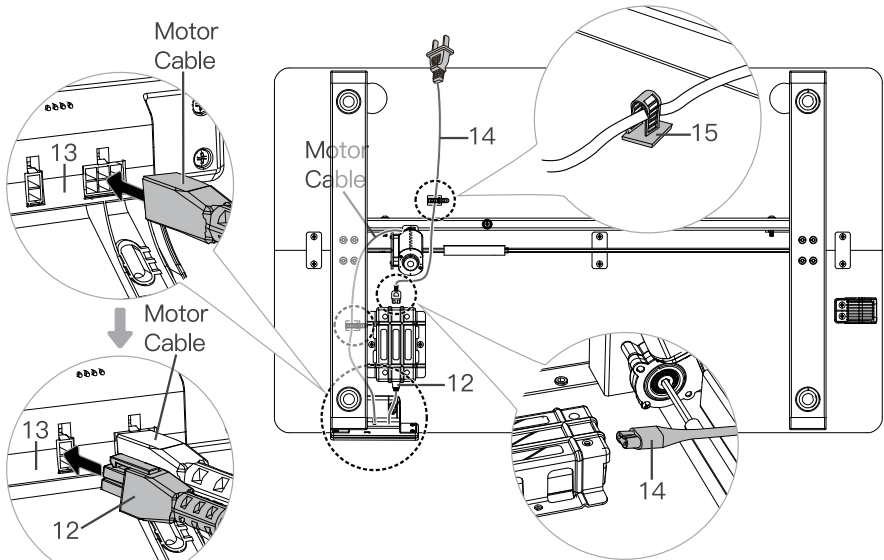


Attach the Caster. Provide 4 Caster Wheels, and 4 non-slip foot pads(no need to install)

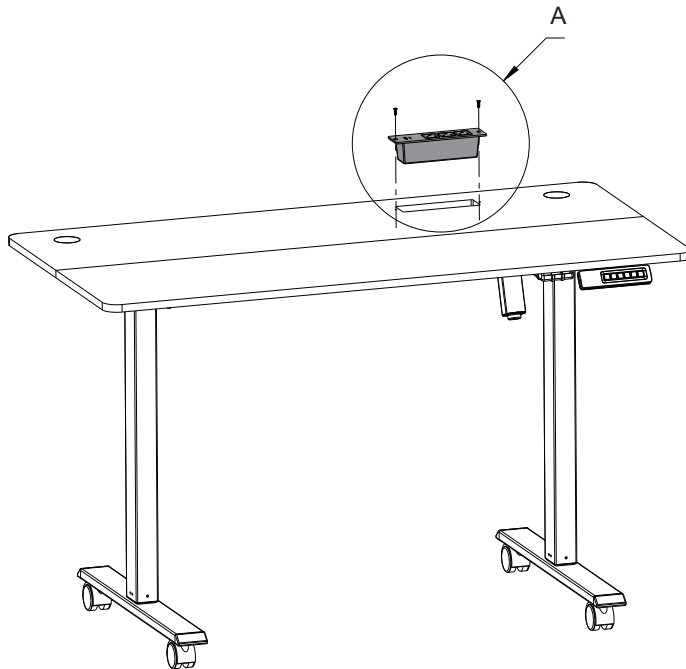


Press the adjustable button on the wheel to brake.

## Step 4: Connecting the Cables

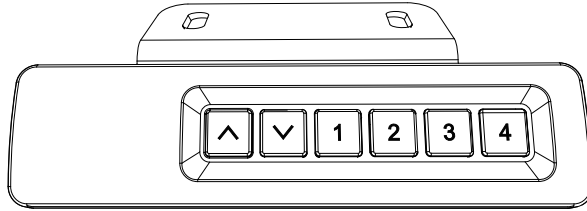


## Step: Install the Socket



Place the socket into the square hole of the desktop, and use a cross screwdriver (or drill) and ST3.9\*13 screws (17) to fix the socket to the desktop.

## Using the Controller



**Note:** Ensure that there are no obstacles when using the desk, that the desktop is not right next to the wall, and that all cables are long enough for the desk to move up and down freely. When the controller screen is off (power-saving mode), press any button to wake it before operating the desk.

**Suggestion:** Set the most comfortable height when you sit down to **1** and the most comfortable height when you stand up to **2**. The other two presets can be set for another user or to other heights you want to use.

### Raise the Desk

Press the **^** button to raise the desk continuously until it reaches the highest position of 46.7" (118cm) or the button is released.

### Lower the Desk

Press the **v** button to lower the desk continuously until it reaches the lowest position of 27.5" (70cm) or the button is released.

### Save Height Settings

Four heights can be stored. Press and hold the **1** / **2** / **3** / **4** button for 3 seconds. The digital number will flash three times and the current height will be stored to that button.

### Select Height Setting 1

Press the **1** button, and the desk will move to the height that was previously set for that button. Press any button to stop the desk.

### Select Height Setting 2

Press the **2** button, and the desk will move to the height that was previously set for that button. Press any button to stop the desk.

### Select Height Setting 3

Press the **3** button, and the desk will move to the height that was previously set for that button.  
Press any button to stop the desk.

---


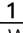

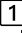
### Select Height Setting 4

Press the **4** button, and the desk will move to the height that was previously set for that button.  
Press any button to stop the desk.

## Settings

<b>Reset</b>	<ol style="list-style-type: none"><li>1. Press and hold the <input type="checkbox"/> button until the desk goes down to its lowest level, and then release the button.</li><li>2. Press and hold the <input type="checkbox"/> button for 5 seconds until the screen displays 'RST,' and then release the button with 'RST' flashing.</li><li>3. Press and hold it again until the desk goes down to its lowest level and comes back up slightly. The screen will display current height again, and reset is complete.</li></ol>
<b>Lock/Unlock</b>	Press and hold <b>1</b> and <b>2</b> buttons together for 3 seconds to turn the lock on. The screen will display 'LOC' and the buttons will be disabled. Repeat to turn the lock off again.
<b>Change Display Height Units</b>	Press and hold <b>1</b> and <b>3</b> buttons together for 3 seconds to switch the display height unit. The default unit is imperial.
<b>Change Collision Detection Sensitivity</b>	<ol style="list-style-type: none"><li>1. Press and hold <b>1</b> and <b>4</b> buttons together for 3 seconds, and 'S02' will flash on the screen. The last digit displayed is the current sensitivity level, and the value range is 0–3 (0: off; 1–3: highest to lowest).</li><li>2. Select other levels by pressing <input type="checkbox"/> or <input type="checkbox"/> button, and then press and hold <b>1</b> and <b>4</b> buttons together for 3 seconds. The digits will stop flashing, and the screen will display current height again.</li></ol>
<b>Set/Clear Lowest Limit</b>	<ol style="list-style-type: none"><li>1. To set the lowest height limit, press and hold <input type="checkbox"/> and <b>1</b> buttons together for 3 seconds, and the screen will display '-dO' Whenever the desk reaches the lowest limit, the screen will display '-LO.'</li><li>2. To clear the lowest height limit, move the desk down to the lowest height (screen displays '-LO') and press <input type="checkbox"/> and <b>1</b> buttons together for 3 seconds. '-dO' will flash on the screen, and the limit will be cleared.</li></ol>

## Set/Clear Highest Limit

1. To set the highest height limit, press and hold  and  buttons together for 3 seconds, and the screen will display ‘-UP’. Whenever the desk reaches the highest limit, the screen will display ‘-HI.’
2. To clear the highest height limit, move the desk up to the highest height (screen displays ‘-HI’) and press  and  buttons together for 3 seconds. ‘-UP’ will flash on the screen and the limit will be cleared.

## Troubleshooting

1. Please try resetting the desk if you have any issues like the following:
  - Abnormal operation.
  - The controller screen displays ‘RST’ (reset).
  - The controller screen displays error message E07 or E08, but the motor cable is connected correctly.
2. If the controller screen displays ‘HOT,’ please wait 20 minutes for the motor to cool down before making any further height adjustment.