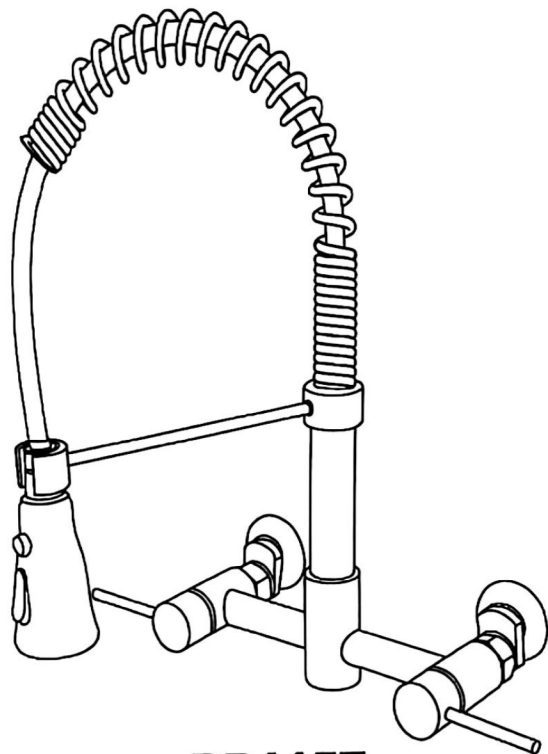


**Installation Manual**

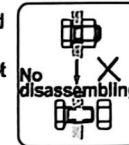


**RB1157**

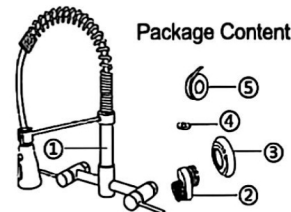


User's Manual

This product has been inspected and debugged by the factory to the best condition. Please do not disassemble and assemble it yourself.



Before installing the product, please be sure to remove sundries and sludge from the water pipe to prevent sundries from blocking the product.

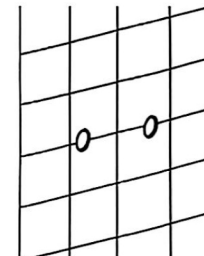
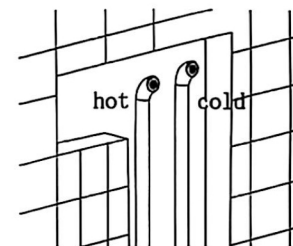


Package Content

NO.	Part Included	Qty
①	Faucet Body	1
②	Z-shaped Flex-Foot	2
③	Mounting Screw Nut	2
④	O-ring Washer	2
⑤	Pipe Tape	1

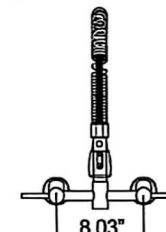
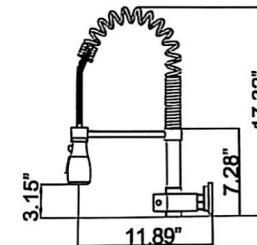
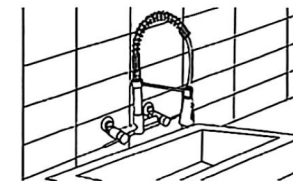
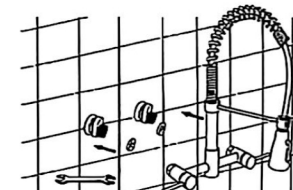
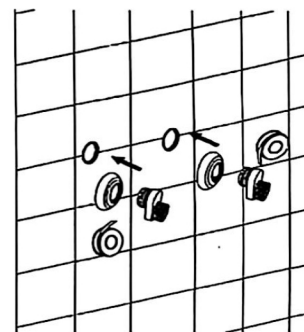
1. Dig an embedded groove in the wall according to the depth of water supply system. After installing the hot & cold water supply pipes, turn on the valve to check if there is leakage.

2. Cover the pipeline with cement and ceramic tile.



3. Wrap the Z-shaped Flex-Foot (②) with tape (⑤). Install the Mounting Screw Nut (③) and the Z-shaped Flex-Foot (②).

4. Put the O-ring Washer (④) in hex nut on the faucet, then install the faucet body (①) with wrench.



**CLEANING CARE**

In order to keep the appearance of product clean, bright and good performance, please take care of the product as follows;

1. Rinse with water only and dry with soft cotton cloth;
2. Use mild liquid and colorless glass cleaner to remove surface dirt and scale film, or use polish without abrasive effect;
3. Do not use abrasive detergent, polish, emery cloth, paper towel or scraper, etc;
4. Do not use acid cleaner, or cleaner and soap with insoluble gran etc;
5. In the process of use, mud may accumulate in the bubbler and make the water flow show. The bubbler can be unscrewed, rinsed with water, and then installed back in place.

