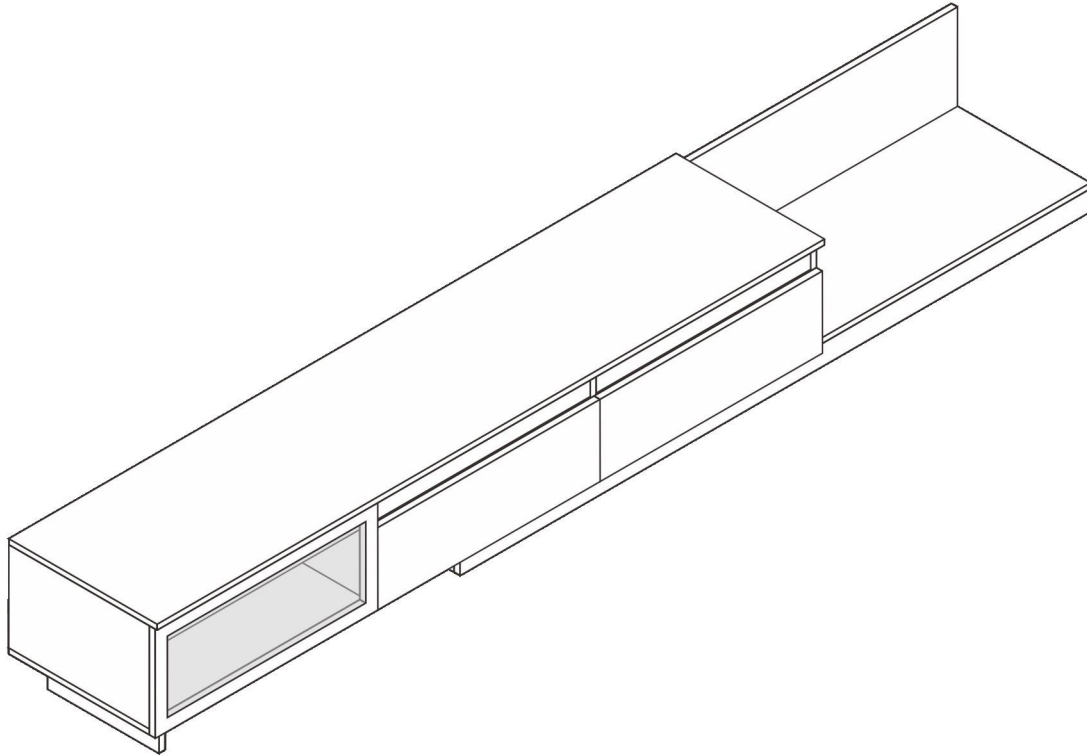


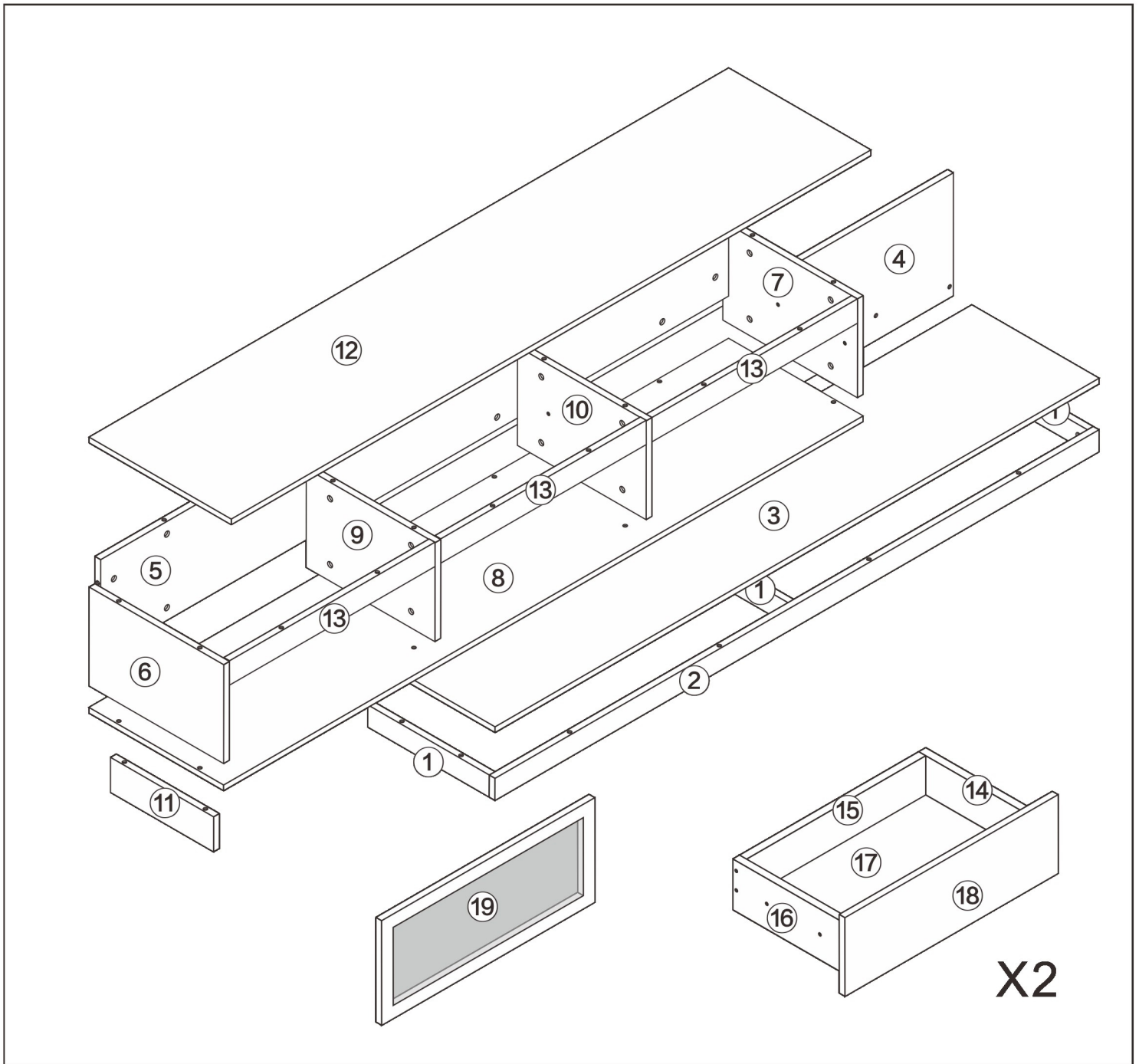
# TV stand



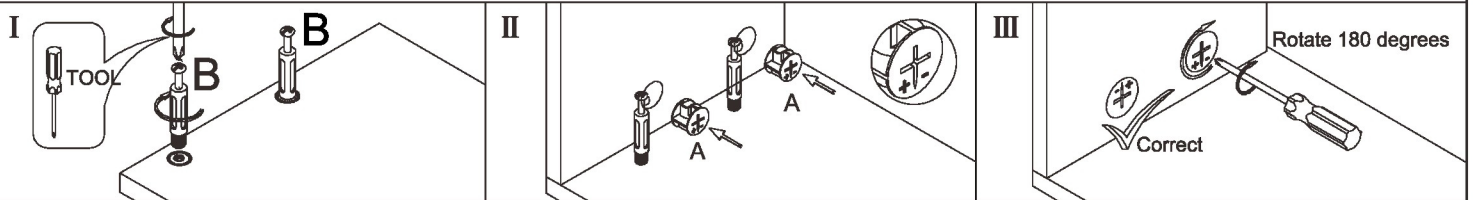
L1800/3400\*W415\*H340MM







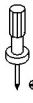
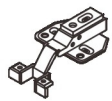




## Installation Instructions

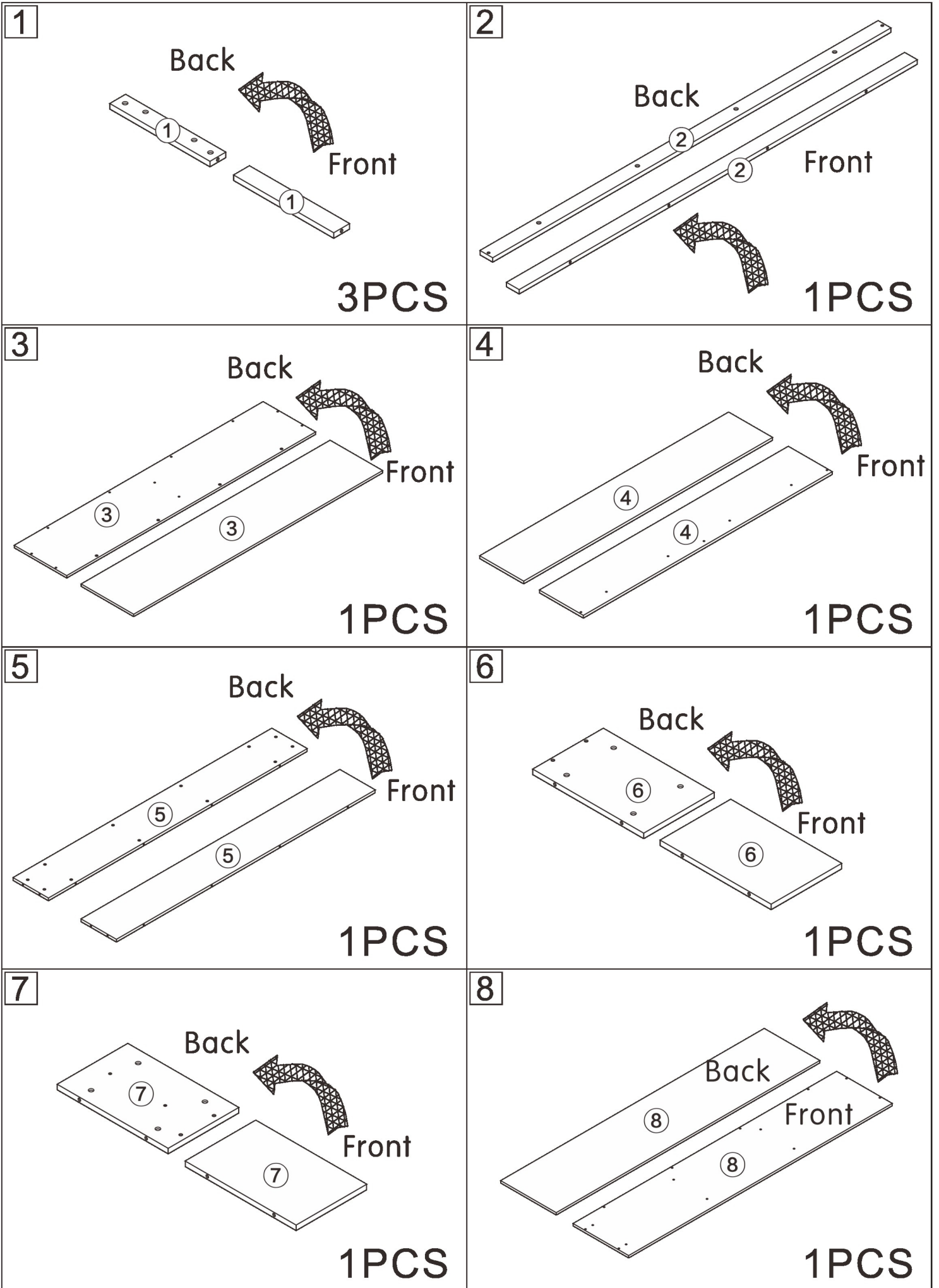
Notes: Don't tighten screws completely at first, just in case parts were assembled wrongly and need disassemble. Tighten screws at last when all parts are put together.

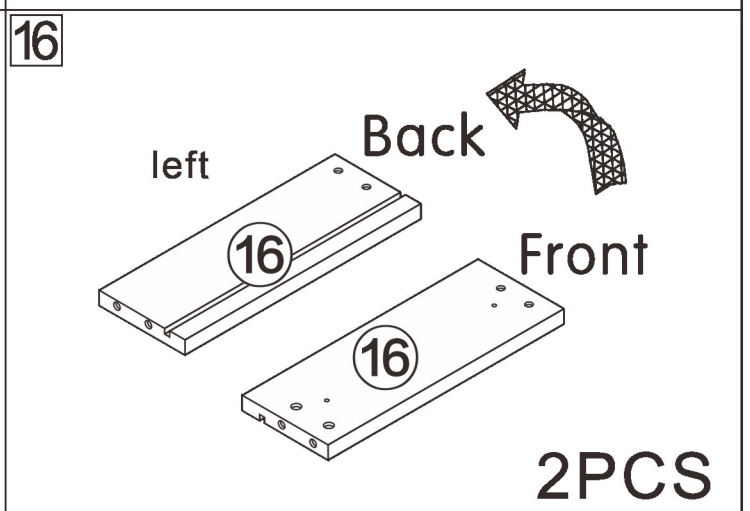
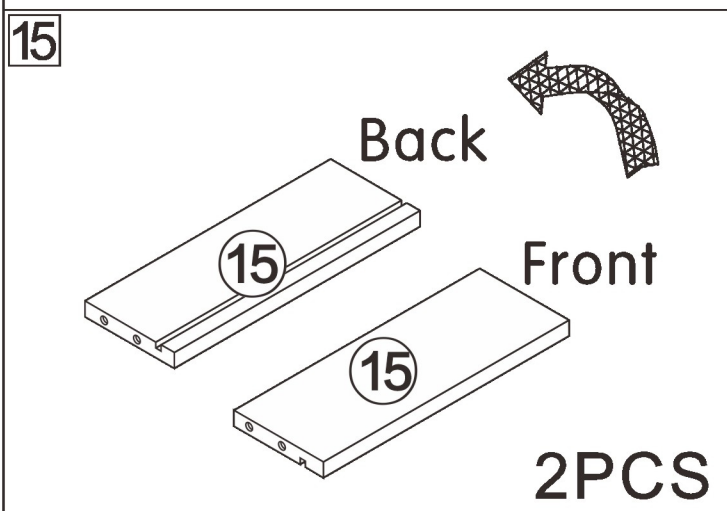
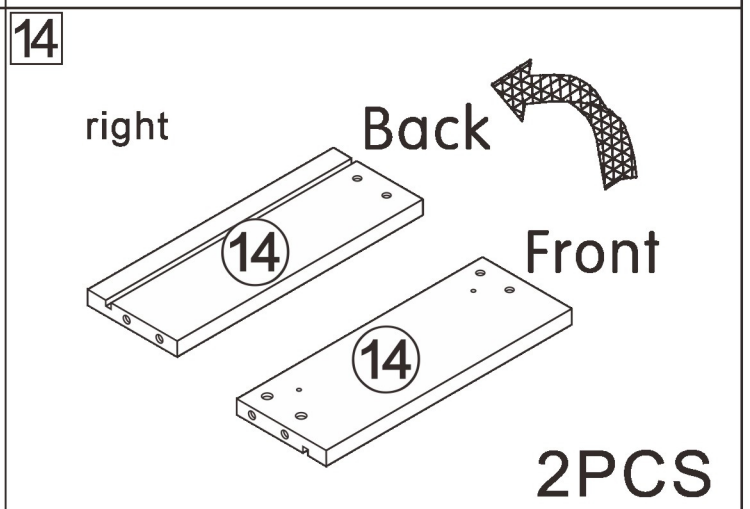
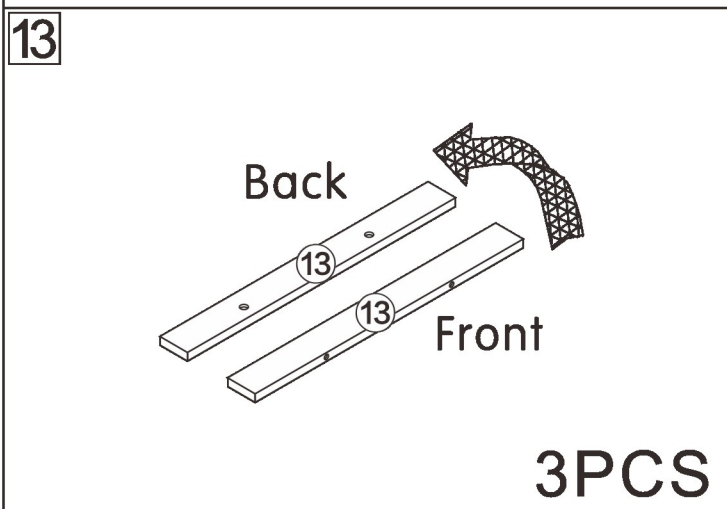
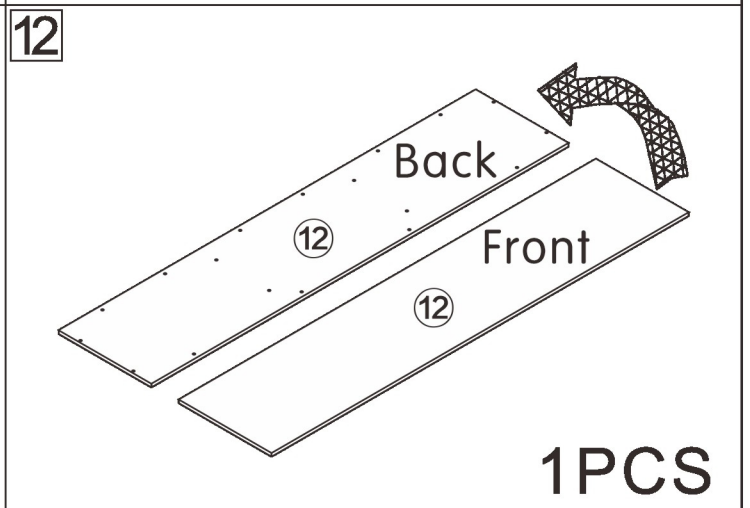
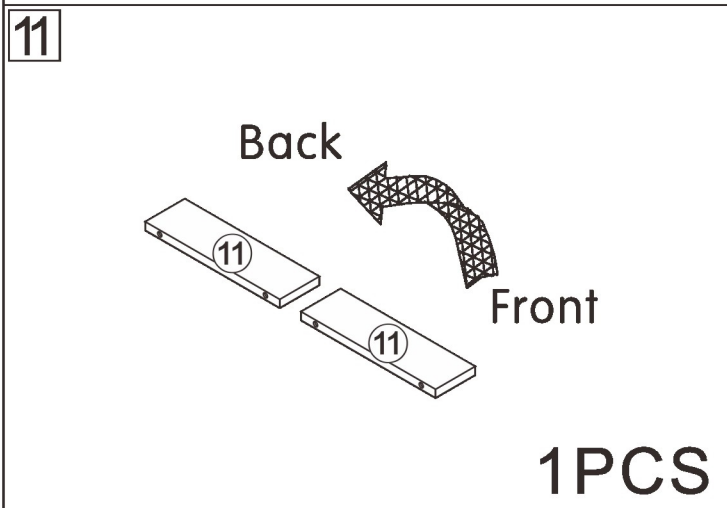
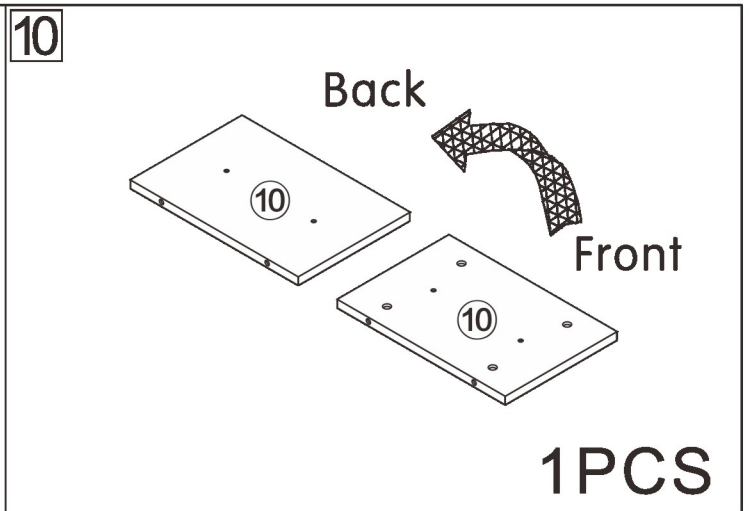
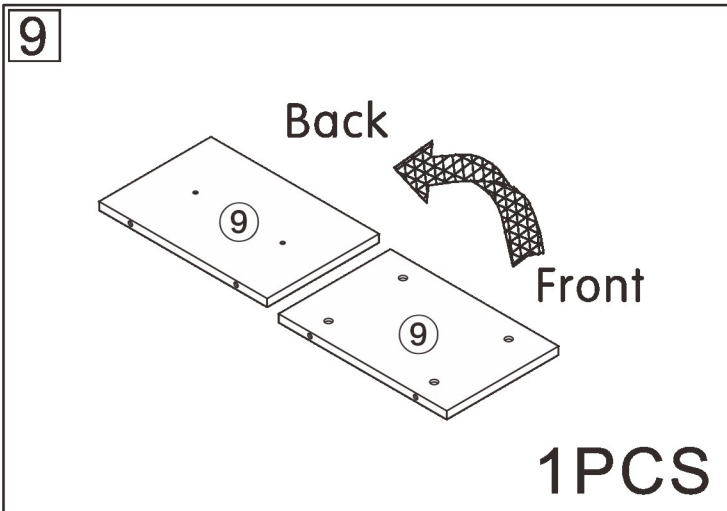


Disassembly and installation of accessories

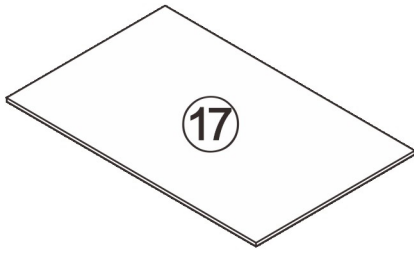


<b>A</b> 62PCS  15*10mm	<b>B</b> 62PCS  6*28mm	<b>C</b> 36PCS  3.5*14mm	<b>D</b> 8PCS  3.5*40mm	<b>E</b> 4PCS 	<b>F</b> 2PCS  6X25mm	 Tools Recommended
<b>G</b> 2PCS 	<b>H</b> 2PCS left  right 	<b>I</b> 4PCS  4*12mm	<b>J</b> 16PCS 			



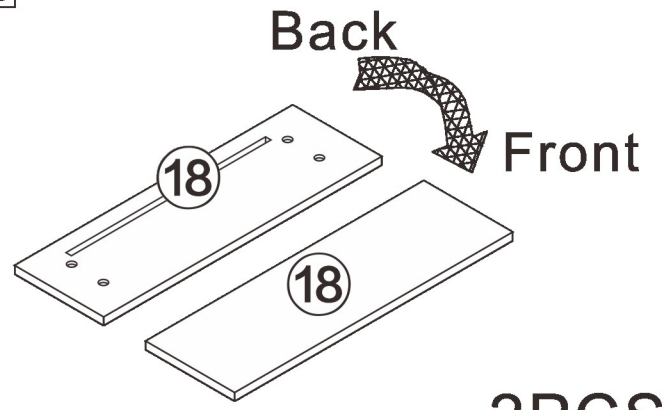


17



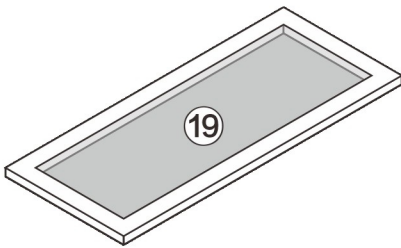
2PCS

18



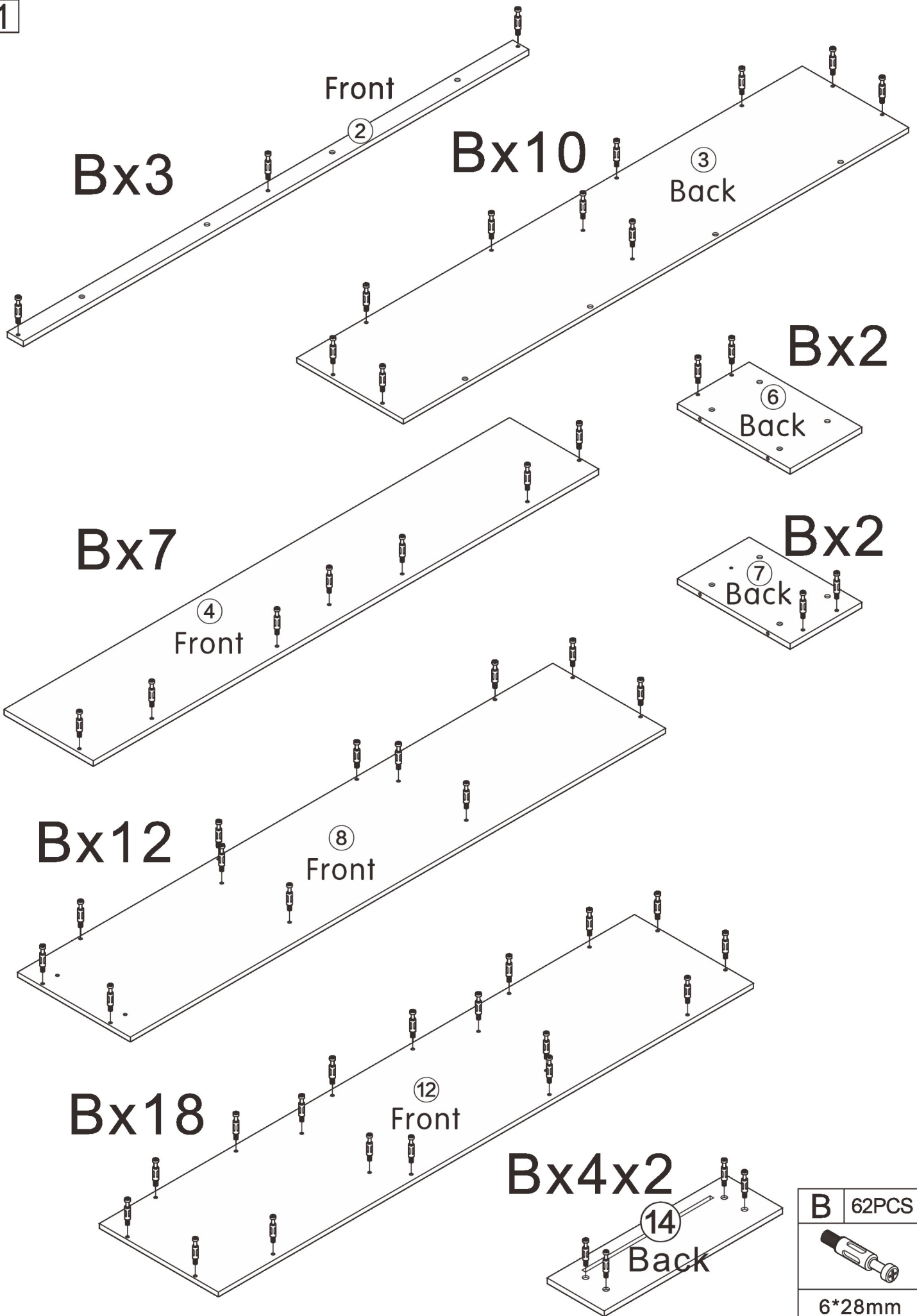
2PCS


19



1PCS

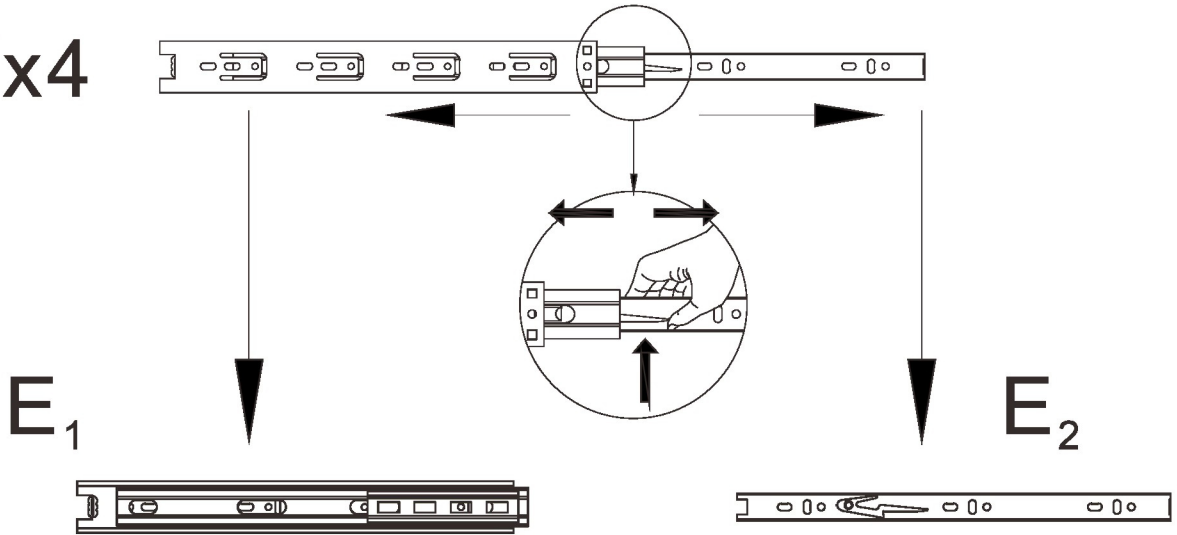
1



B	62PCS
	
6*28mm	

2

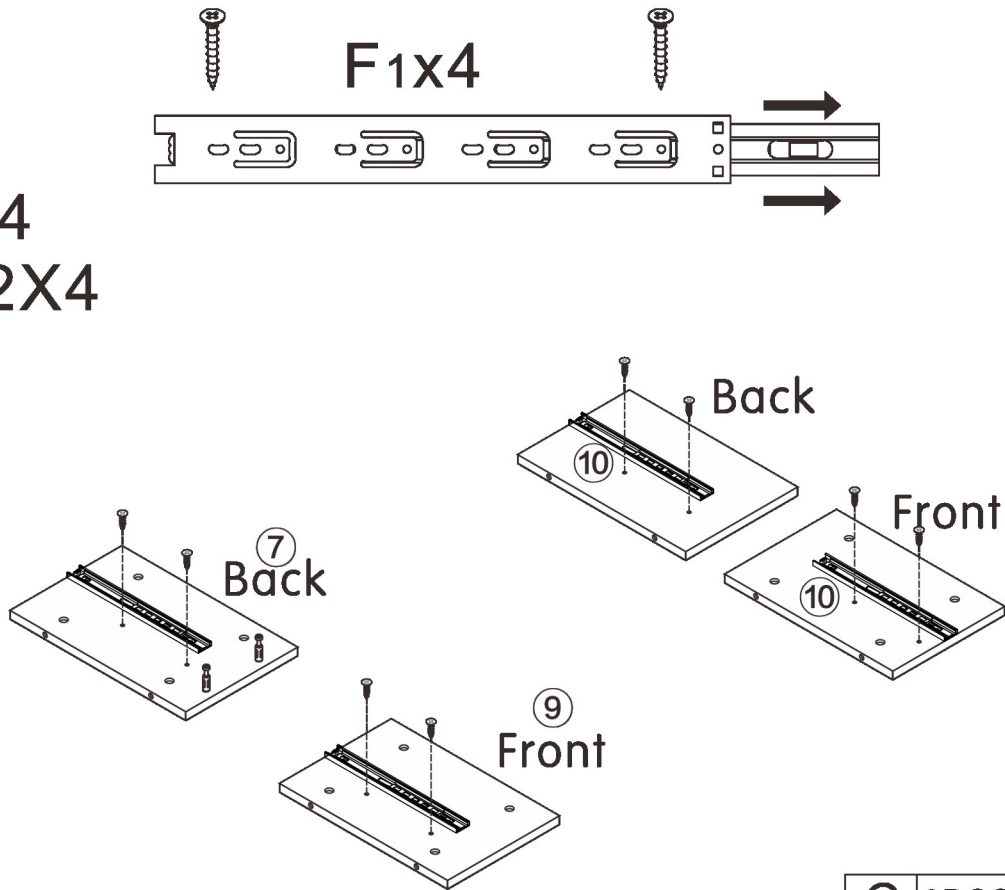
Ex4



E	4PCS
Three-section Rail	

3

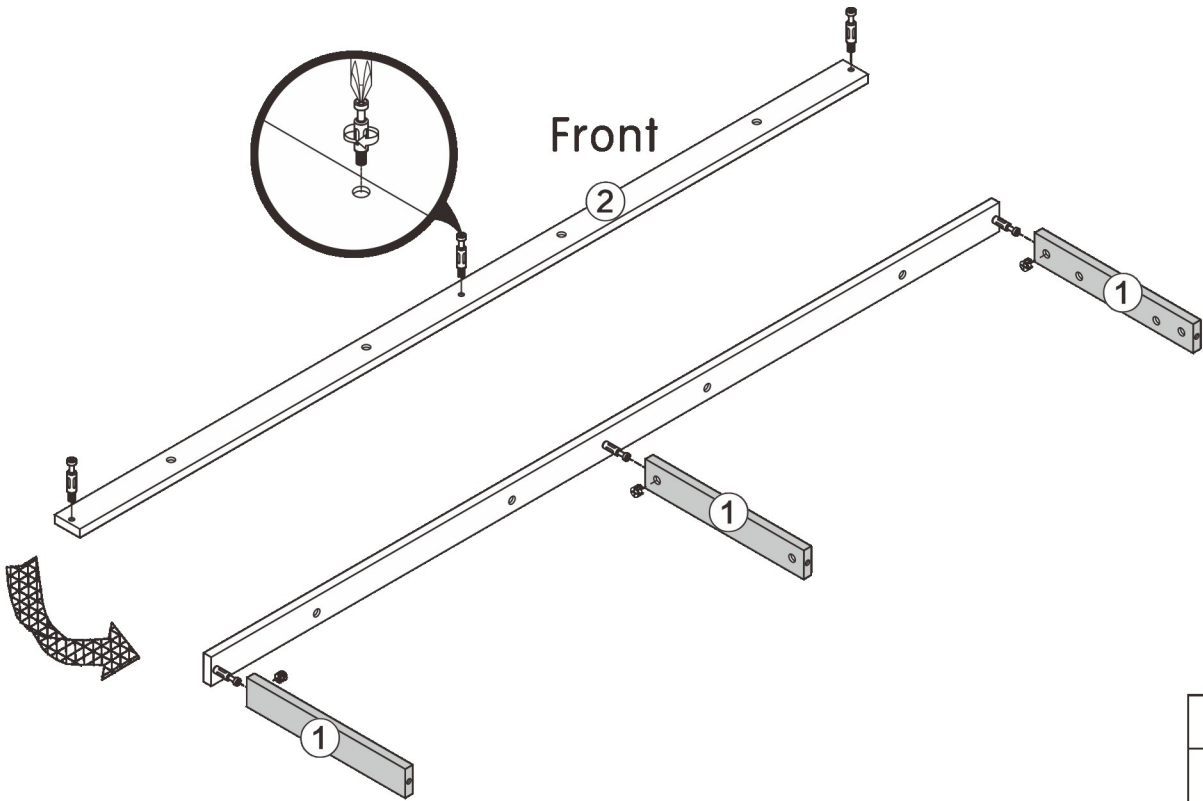
E<sub>1</sub>X4  
CX2X4




C	8PCS
3.5*14mm	

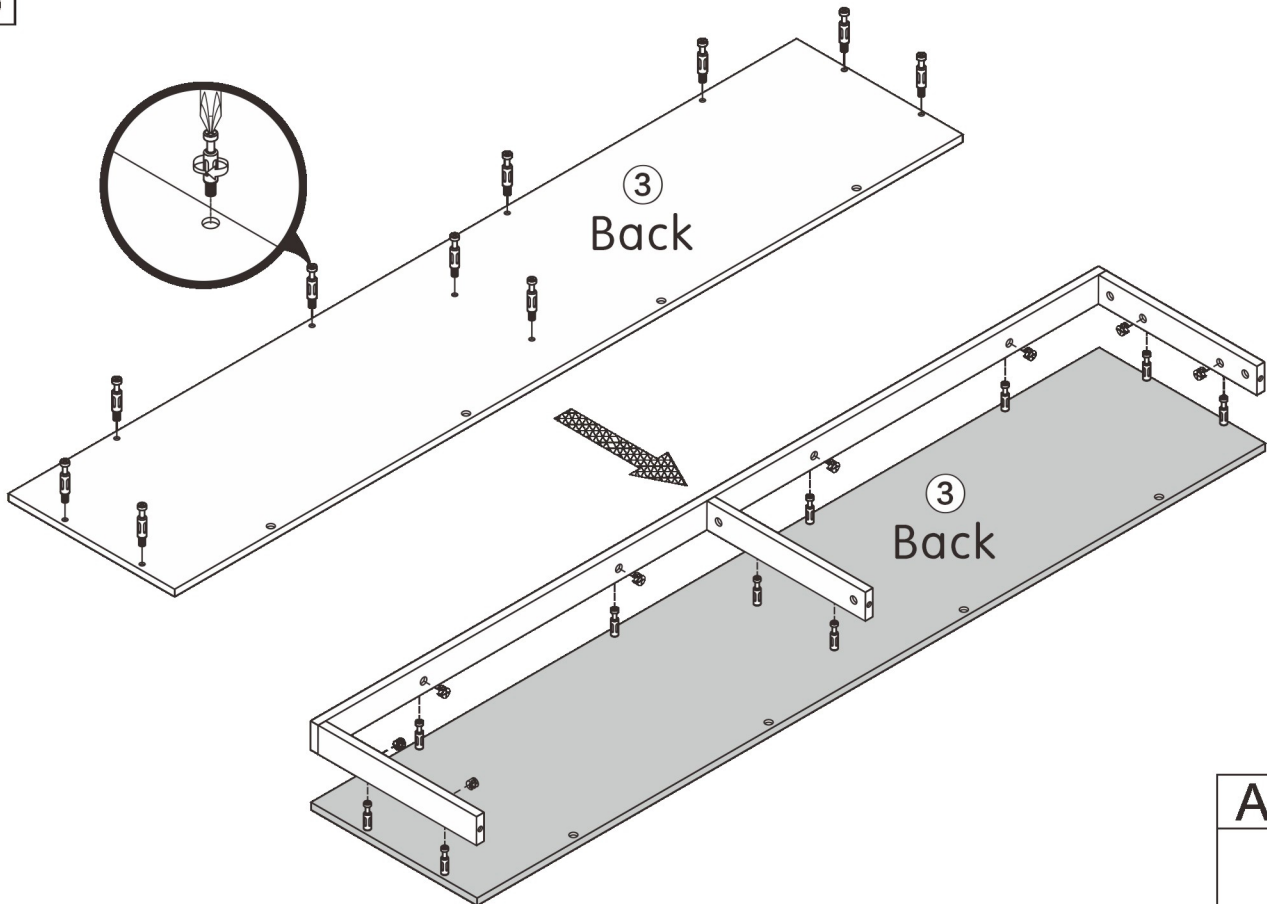
E <sub>1</sub>	4PCS
Three-section Rail	


4



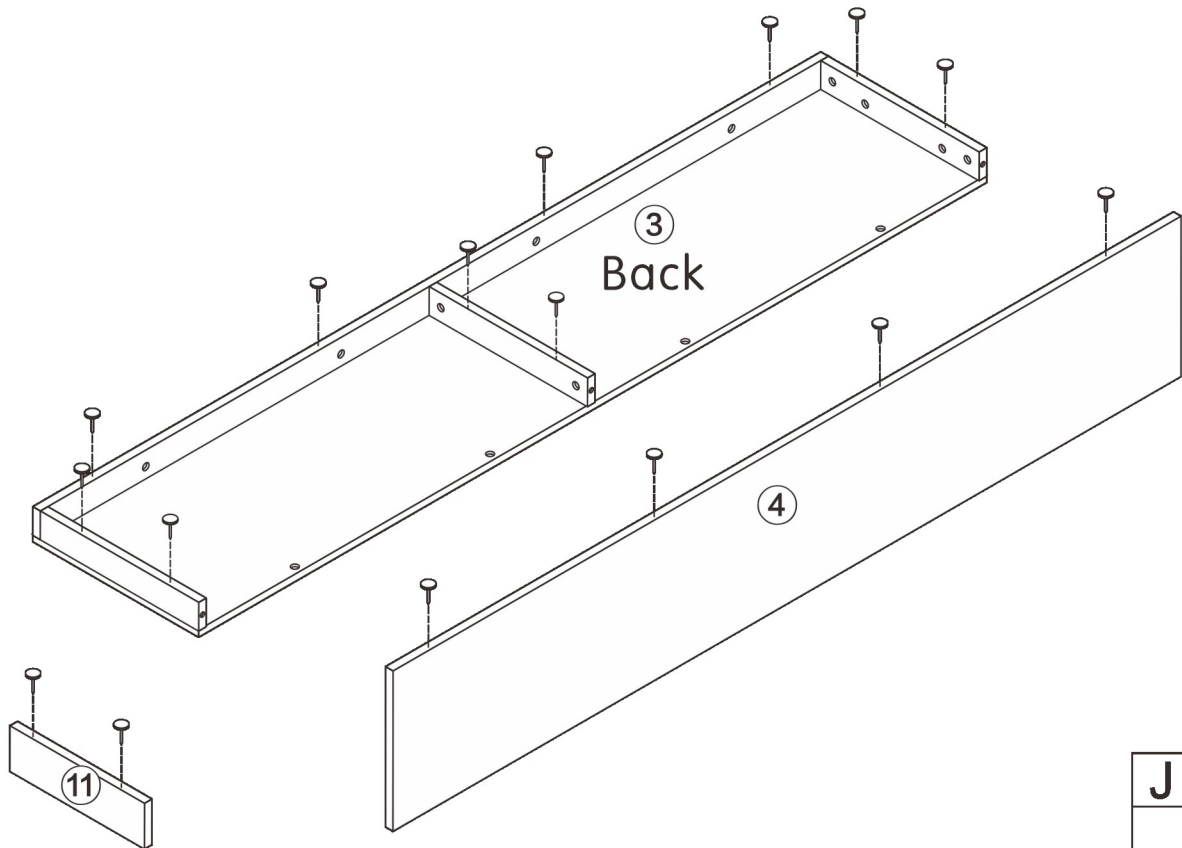
A	3PCS
	
15*10mm	

5



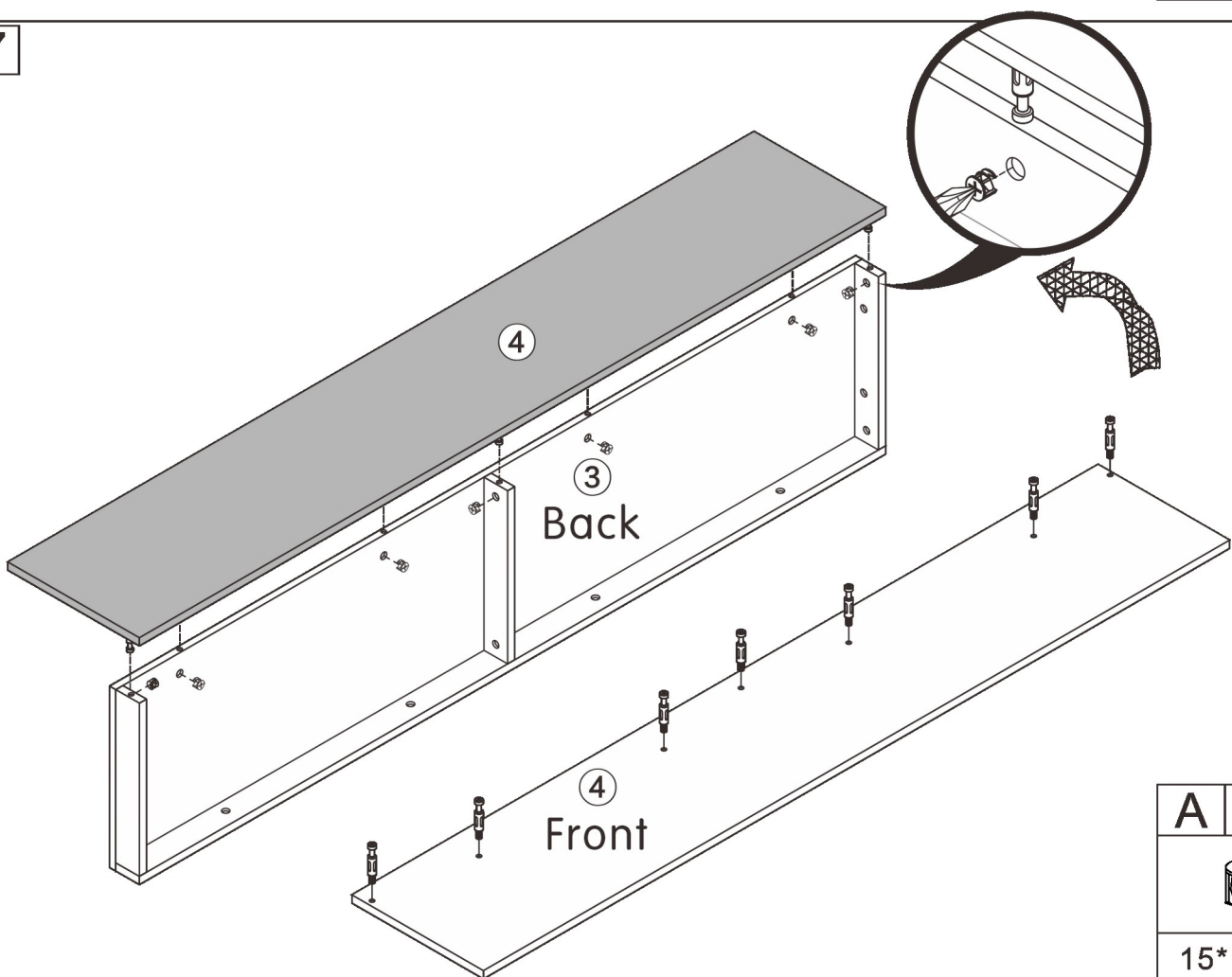
A	10PCS
	
15*10mm	

6



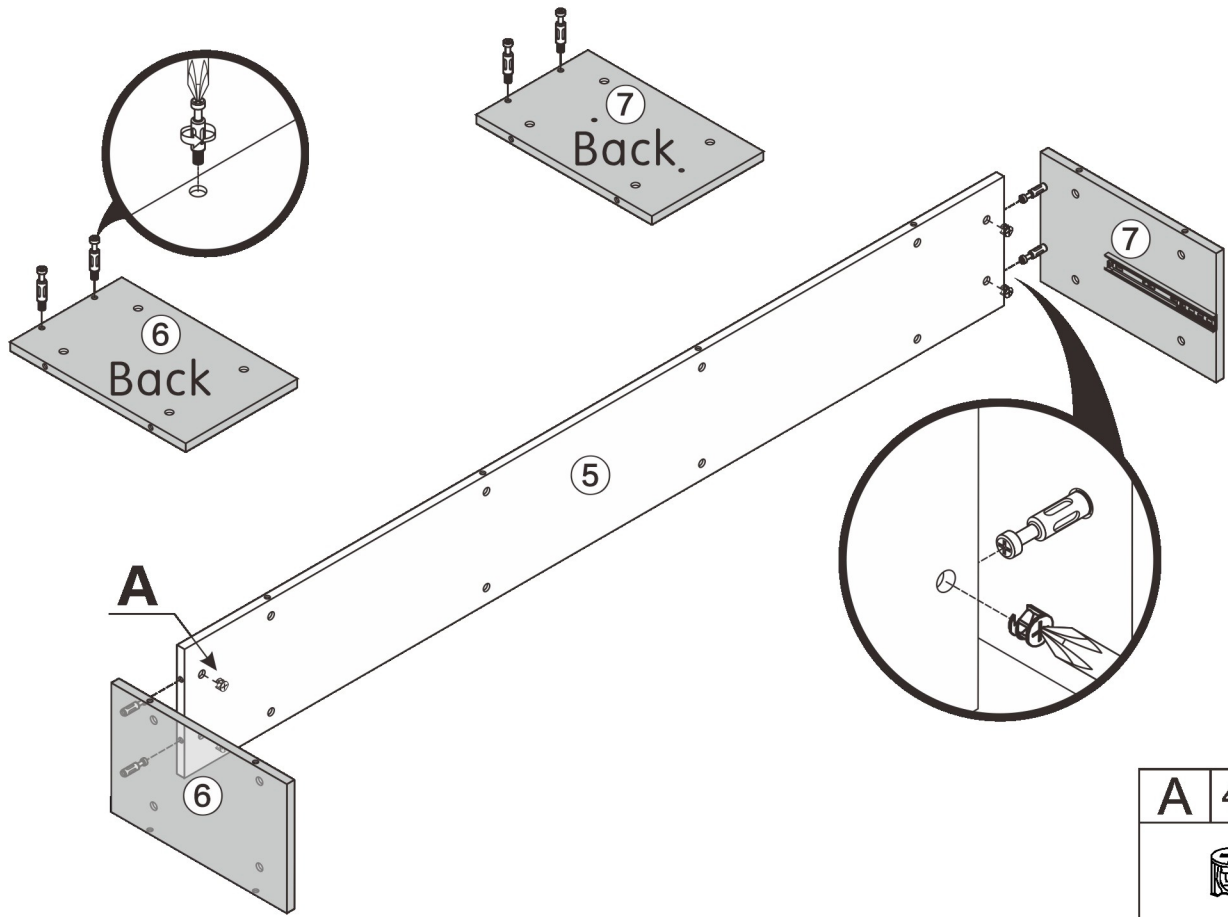
J	16PCS


7



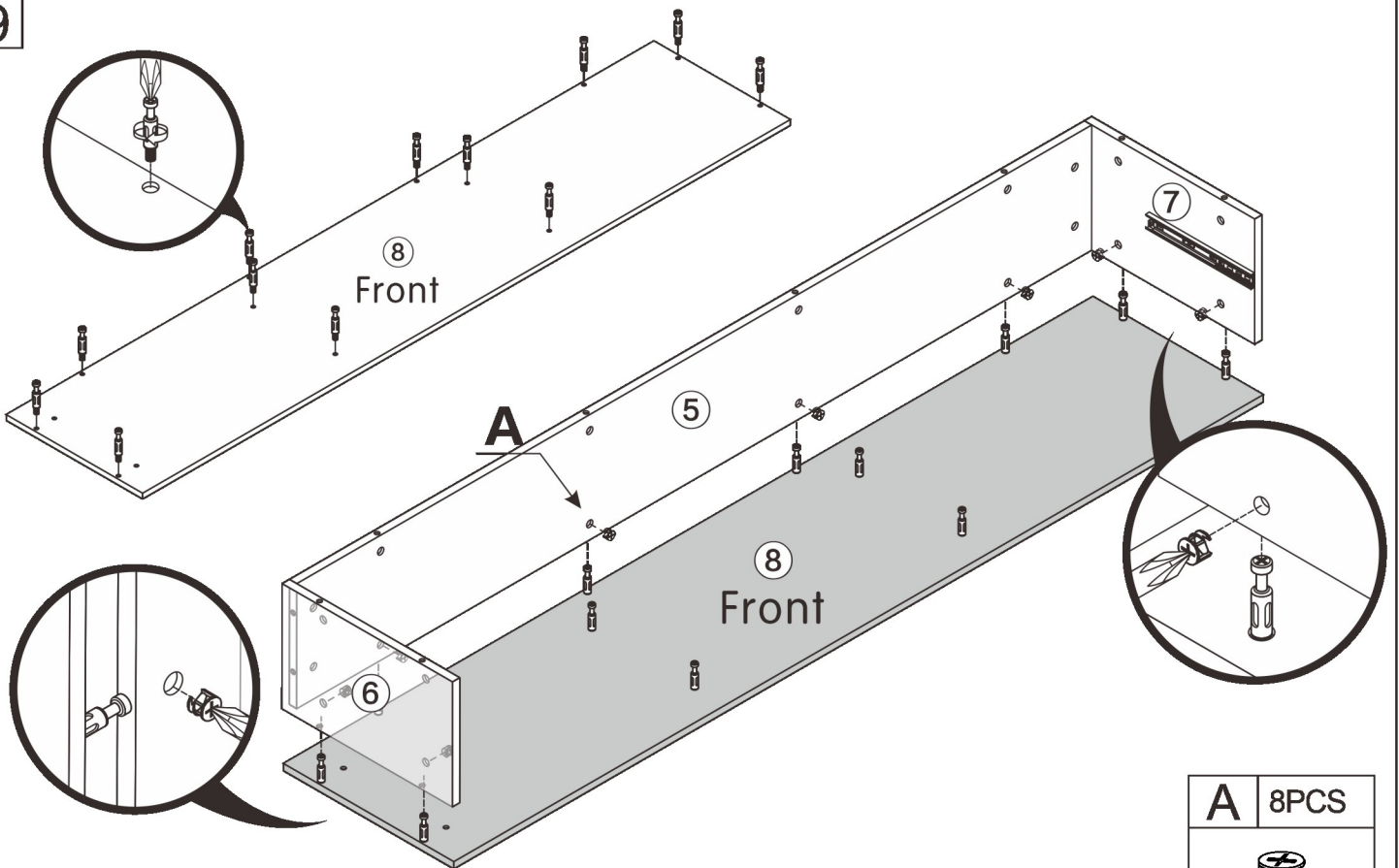
A	7PCS
15*10mm	


8



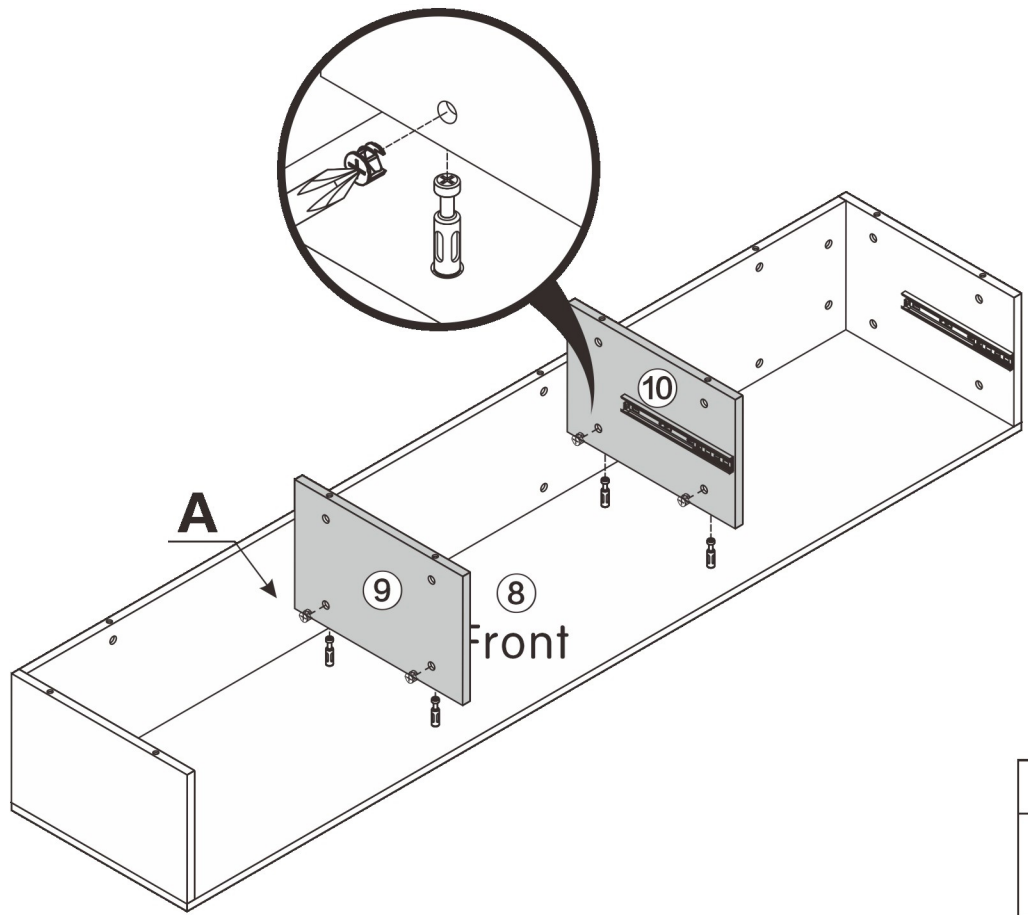
A	4PCS
	
15*10mm	


9



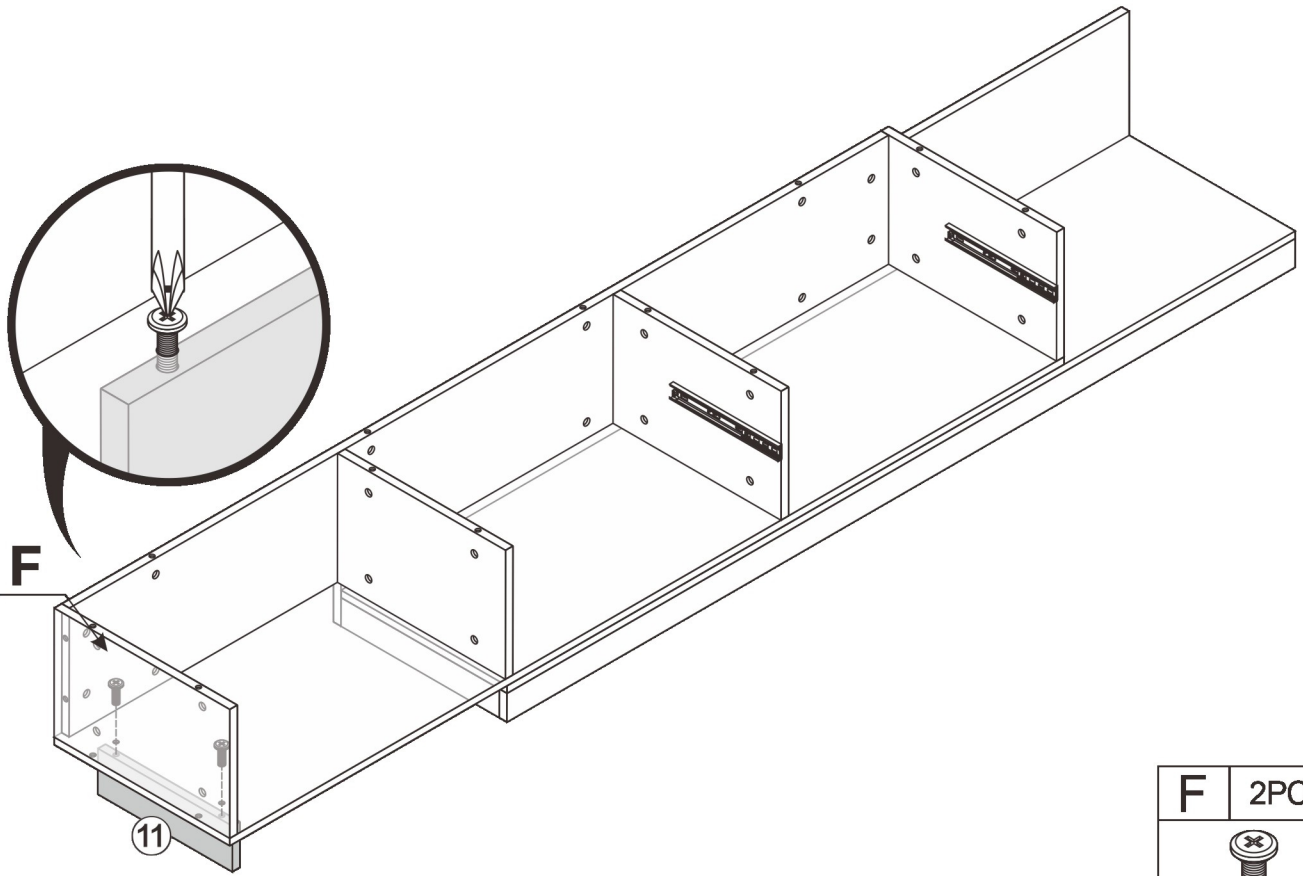
A	8PCS
	
15*10mm	


10



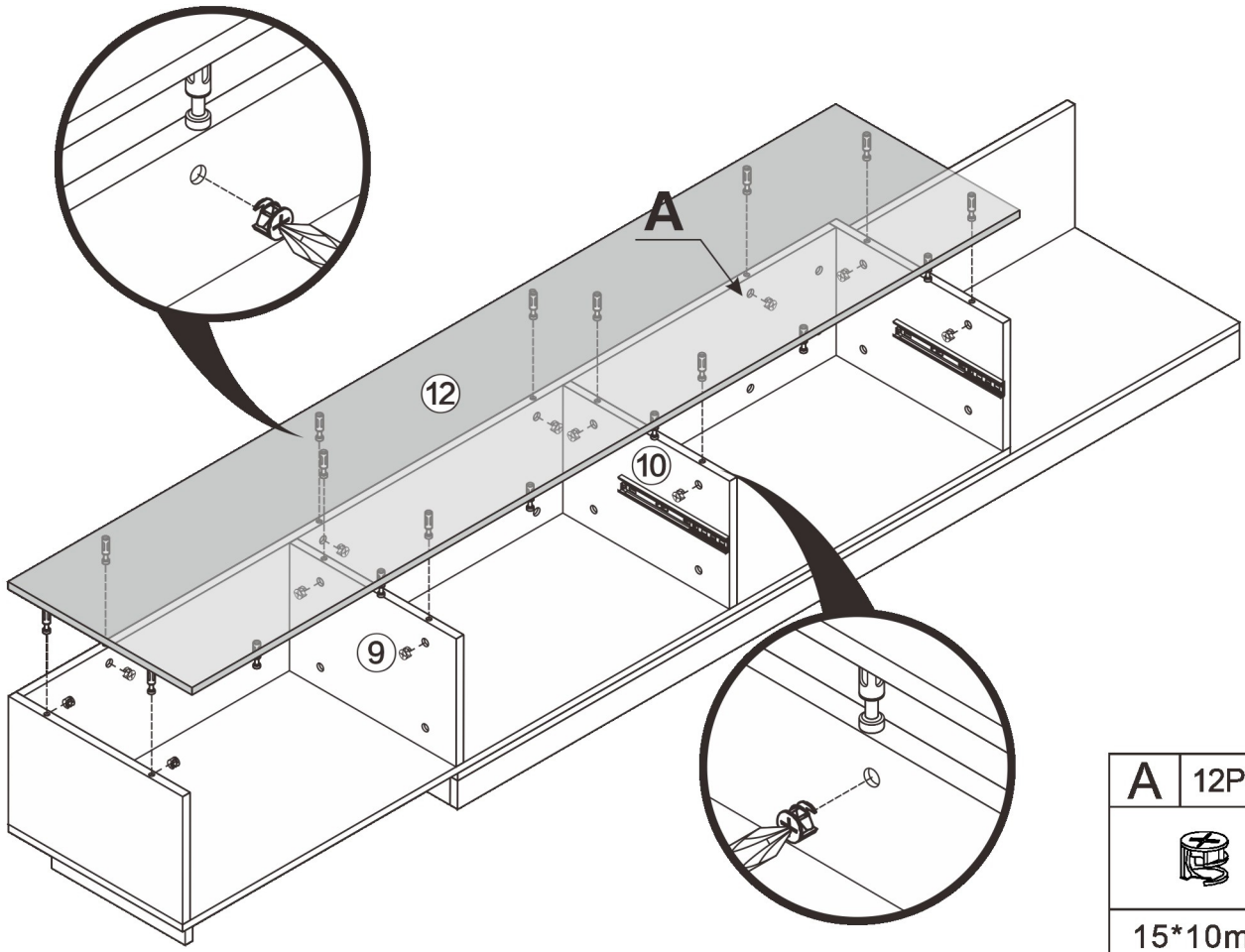
A	4PCS
	
15*10mm	


11



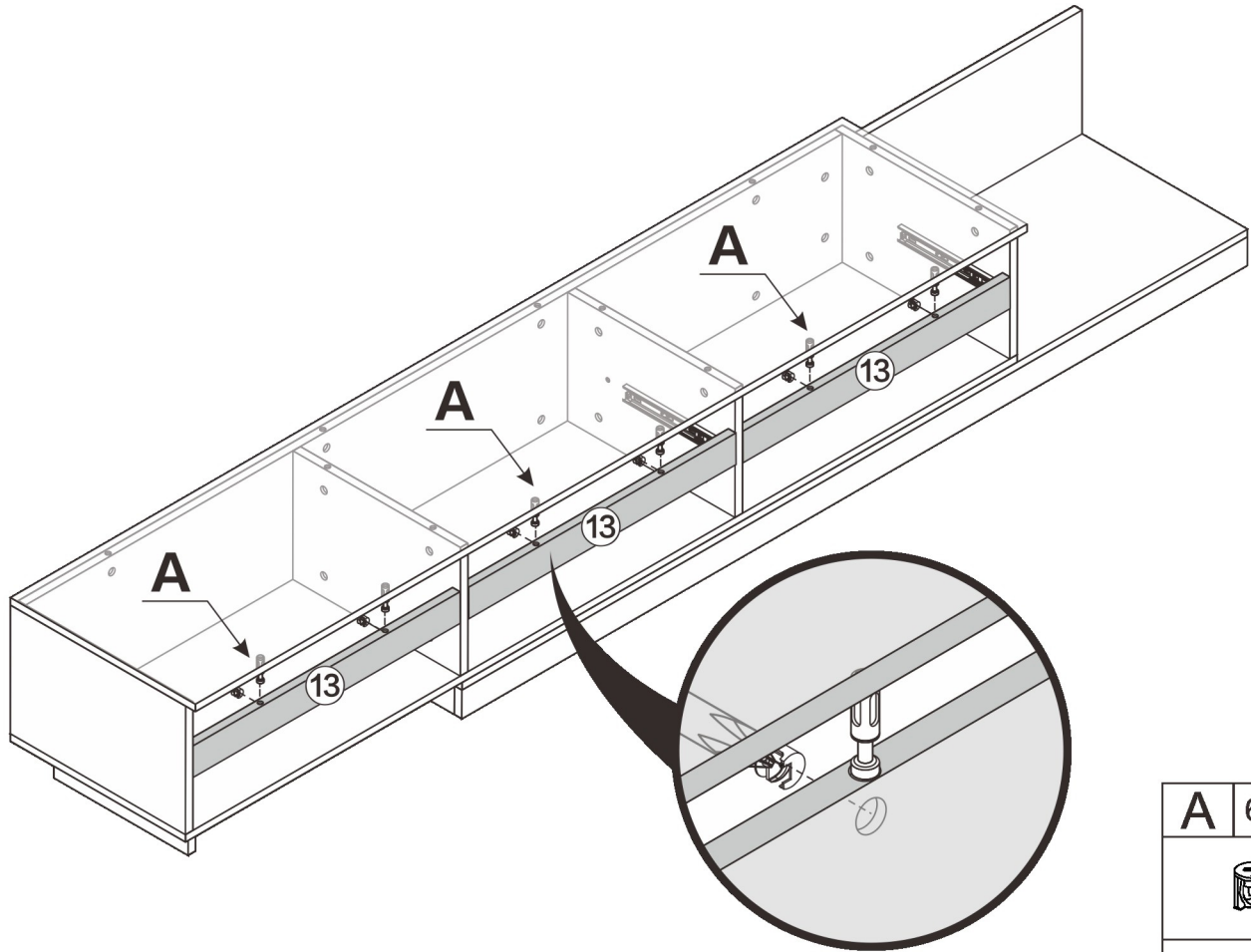
F	2PCS
	
6X12mm	


12



A	12PCS
	
15*10mm	

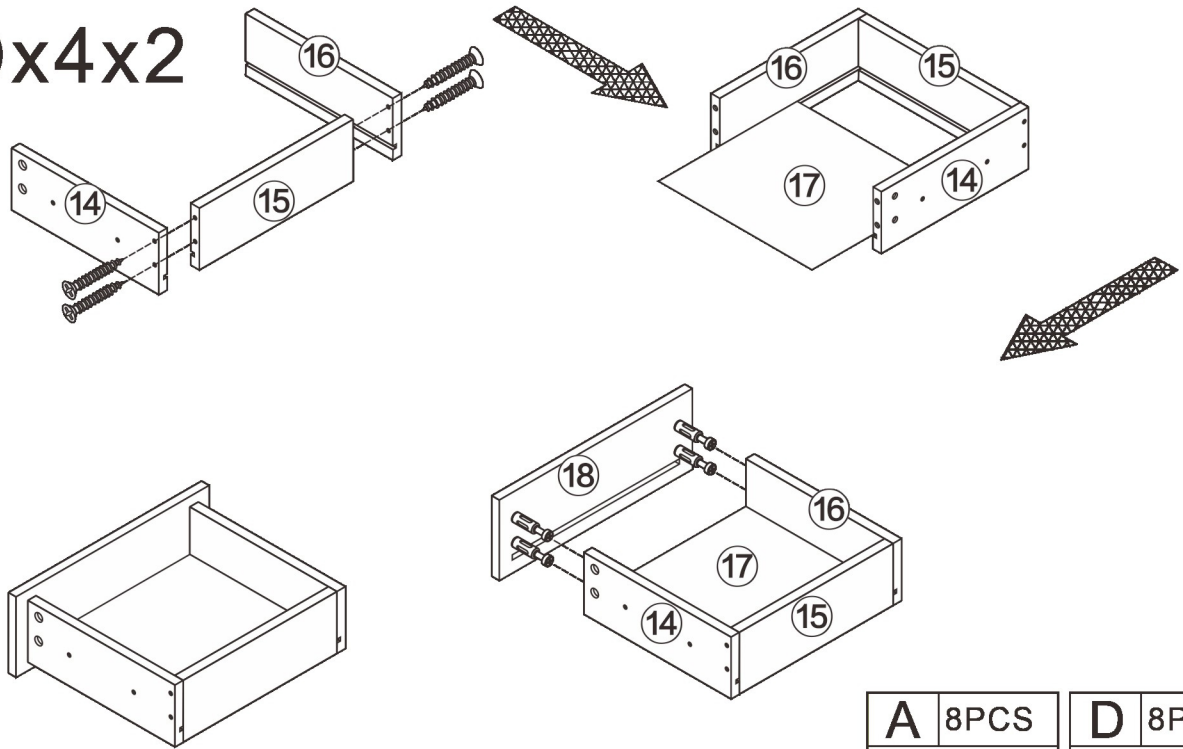
13





A	6PCS
	
15*10mm	

14

Dx4x2

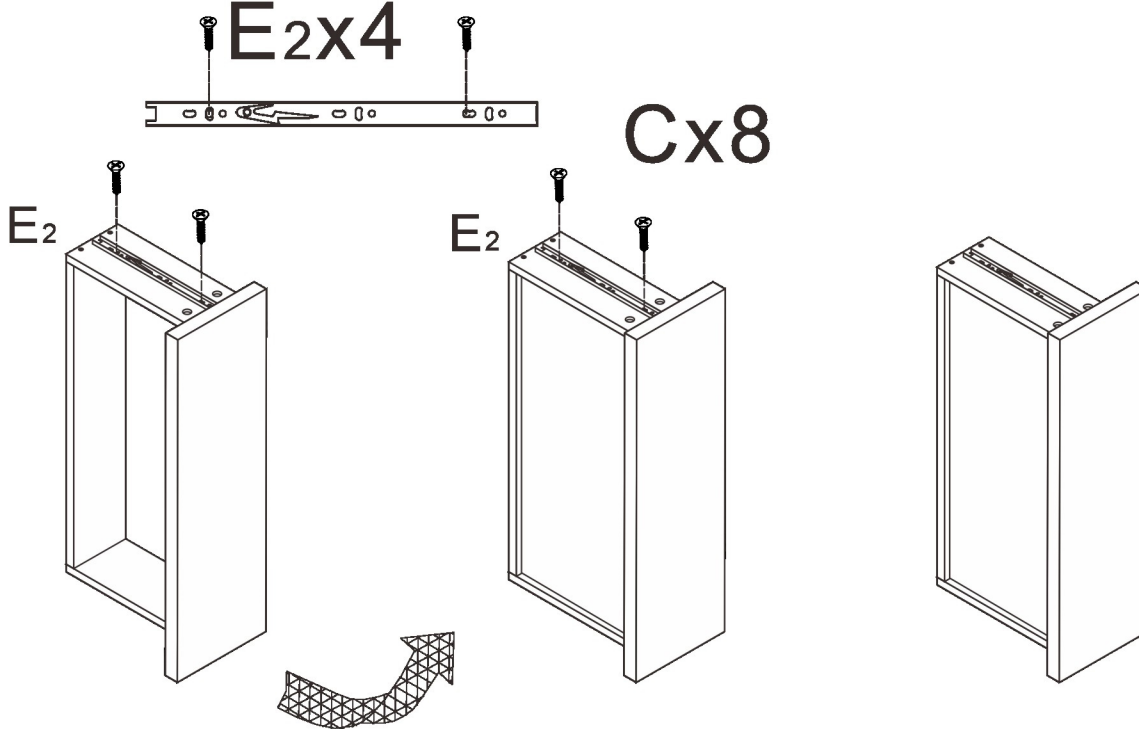




<b>A</b>	8PCS	<b>D</b>	8PCS
			
15*10mm		3.5*40mm	

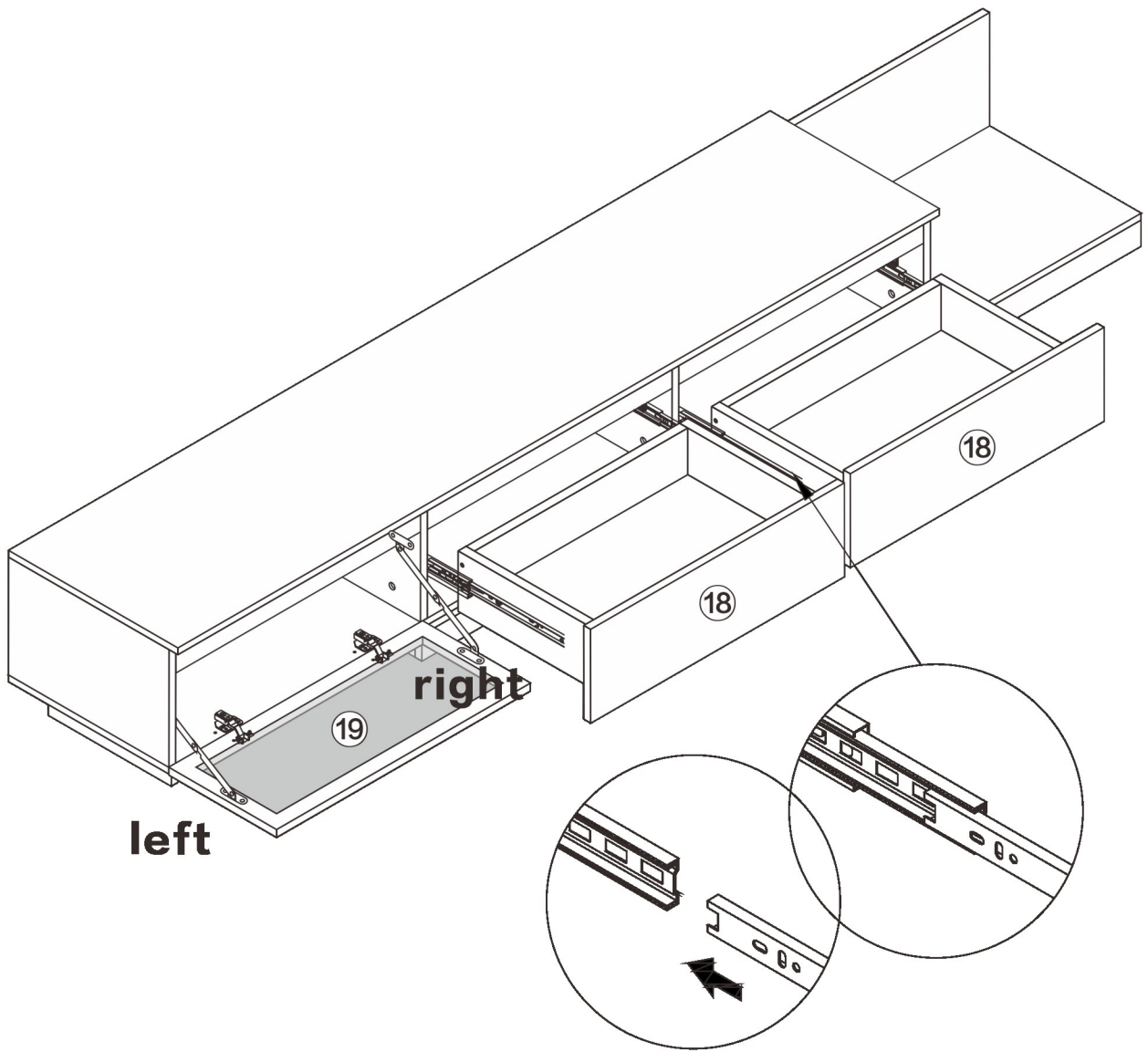
15

E<sub>2</sub>x4


Cx8

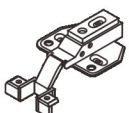


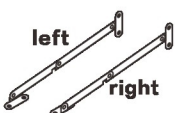
<b>C</b>	8PCS	<b>E<sub>2</sub></b>	4PCS
			
3.5*14mm		Three-section Rail	




ok!

<b>C</b>	4PCS
	
3.5*14mm	

<b>G</b>	2PCS
	

<b>H</b>	2PCS
	
left	right

<b>I</b>	4PCS
	
4*12mm	

