

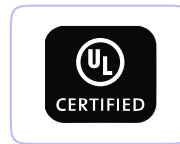
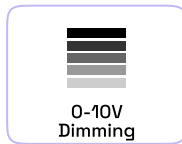
## LED Mini Wall Pack

3 CCT and 3 Wattage Selectable

Project: \_\_\_\_\_ Location: \_\_\_\_\_

Date: \_\_\_\_\_ Part #: \_\_\_\_\_

Notes: \_\_\_\_\_



### Performance & Features

#### Product Highlights

- 3-CCT White Color Selectable (3000K/4000K/5000K)
- Energy-saving, long lifespan
- No UV or IR in the beam
- NO flickering, NO humming
- Green and eco-friendly without mercury

#### Certifications

- UL Listed , DLC 5.1 (Premium)
- 5 Year Limited Warranty
- FCC

#### Specification:

- Finish:** Highly durable die-cast aluminum , long lasting dark bronze and white finish available
- IP:** Wet Location Rated
- Beam Angle:** 100°
- BUG Rating:** B1-U3-G2
- LEDs:** Lumileds SMD2835
- CRI:** >80
- Operating Temp:** -40°F to 113°F
- Lens:** Prismatic
- Life:** L70 of 100,000 hours

#### LED Driver

- 0-10V Dimmable
- 120-277V
- Built in 2.5kV Surge Protector
- Flicker-Free

Quick Order

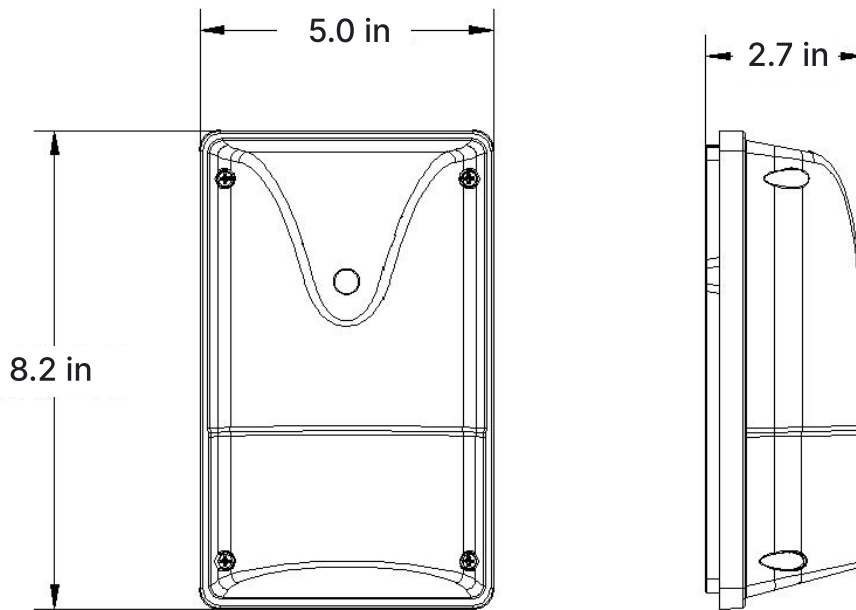
Model No.	Power (W)	Lumens (lm)	CCT (K)	LPW	Finish
<b>15W-20W-30W - Selectable</b> MWP-15T30W-3CCT-DV2-PC-CL-BZ MWP-15T30W-3CCT-DV2-PC-CL-WH	15W/20W/30W	2025/2700/4050	3CCT 3000K/4000K/5000K	135	Bronze or White

Contact for custom configuration & specifications



Bronze & White finishes available

Dimensions

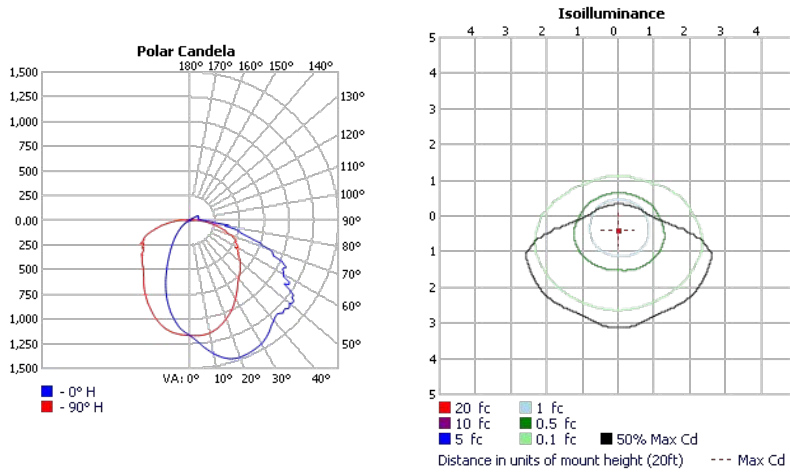


Packaging Dimensions

SKU#	Standard Carton	Qty	Master Carton	Qty
MWP-15T30W-3CCT-DV2-PC-CL-BZ MWP-15T30W-3CCT-DV2-PC-CL-WH	5.3x3.1x8.6in	1	16.4x12.2x9.4in	10

## Photometry

MWP-15T30W-3CCT-DV2-PC-CL-BZ  
MWP-15T30W-3CCT-DV2-PC-CL-WH



## Zonal Lumen Summary

Zone	Lumens %	Luminaire	Luminaire
0-30	892.5	23.5%	23.5%
0-40	1,419.0	37.3%	37.3%
0-60	2,575.2	67.7%	67.7%
60-90	1,031.8	21.1%	27.1%
70-100	555.9	14.6%	14.6%
90-120	130.6	3.4%	3.4%
0-90	3,607.1	94.8%	94.8%
90-180	196.8	5.2%	5.2%
0-180	3,803.9	100%	100%

### BUG Rating

### B1 - U3 - G2

#### Forward Light

	Lumens	Lumens %
Low (0-30):	538.9	14.2%
Medium(30-60):	1,284.0	33.8%
High(60-80):	746.9	19.6%
Very High(80-90):	132.8	3.5%

#### Back Light

Low(0-30):	353.6	9.3%
Medium(30-60):	399.0	10.5%
High (60-80):	127.2	3.3%
Very High(80-90):	24.8	0.7%

#### Uplight

Low(90-100):	53.0	1.4%
High(100-180):	143.8	3.8%

**Trapped Light:** 0.000 0%

**Note:** Additional Photometry available on request