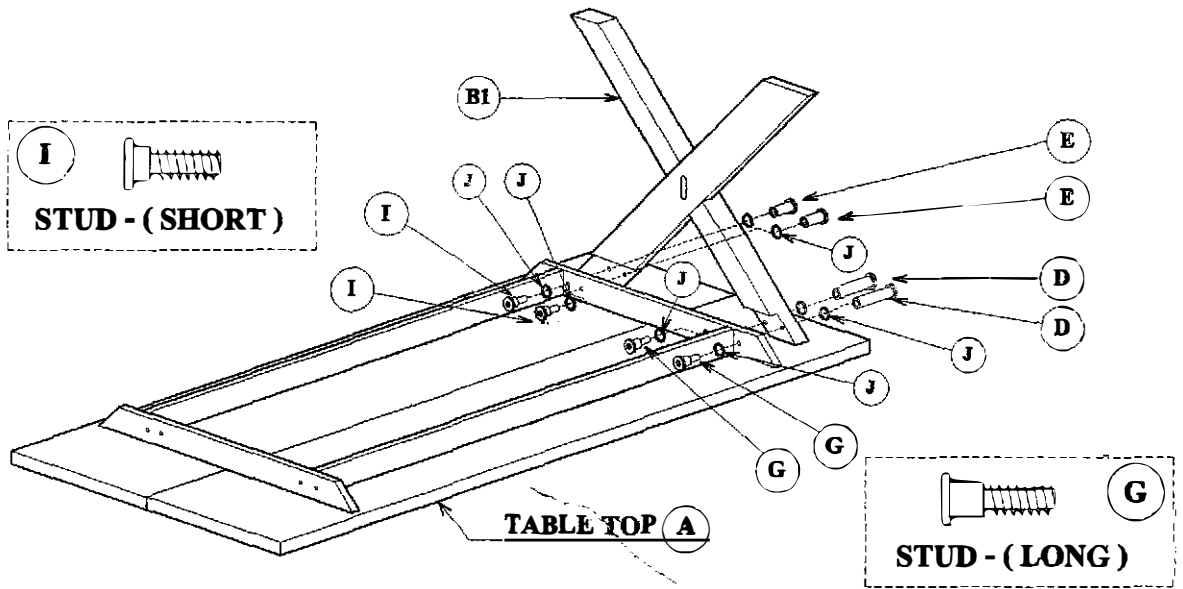


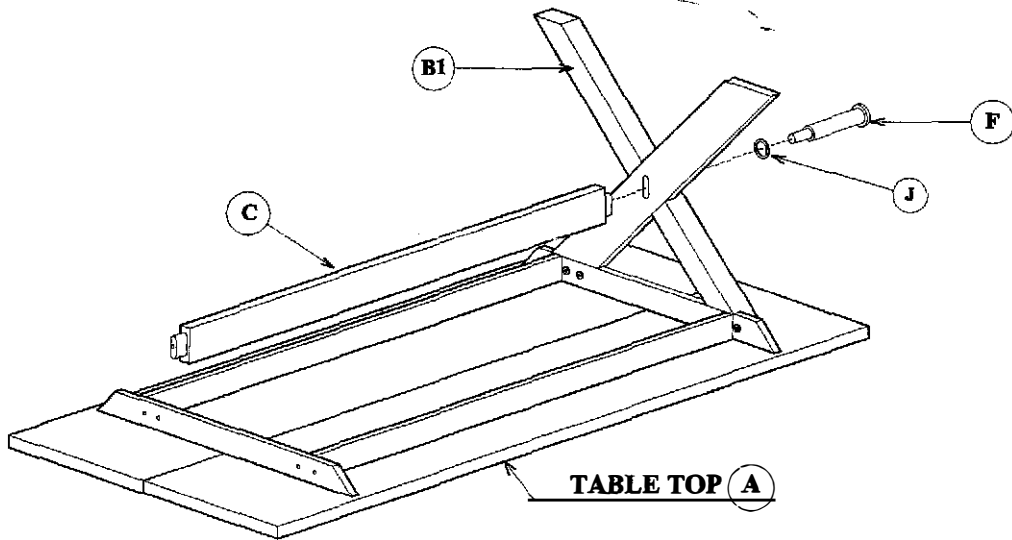
ASSEMBLY INSTRUCTIONS

RECLAIMED TEAK RECTANGULAR TABLE (ATF46), (ATF47)

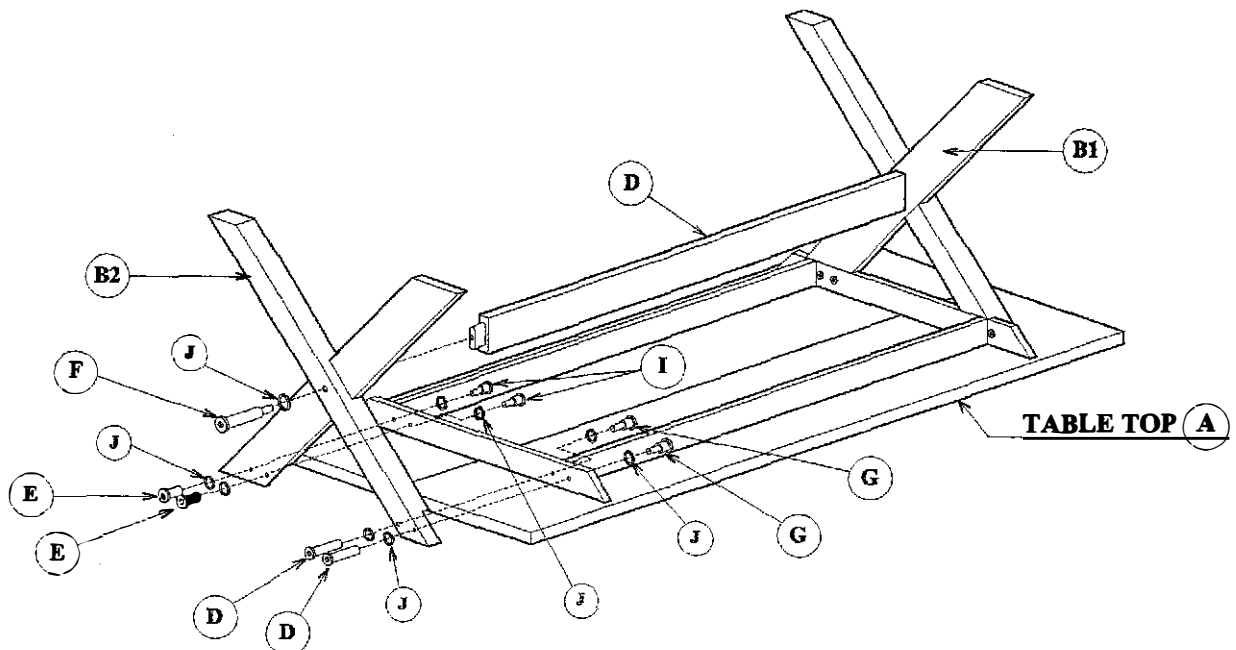
STEP 1



STEP 2



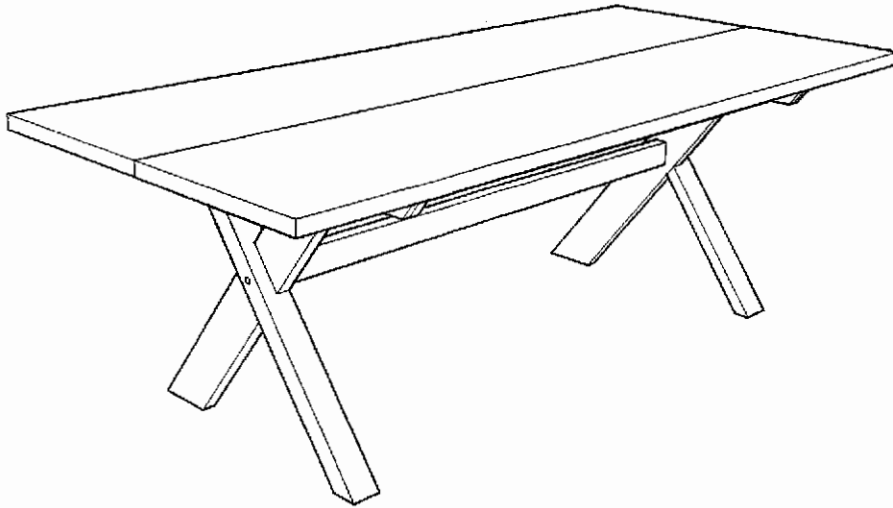
STEP 3

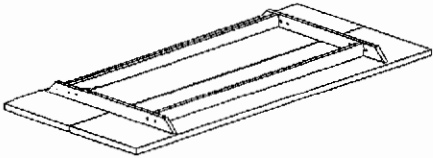
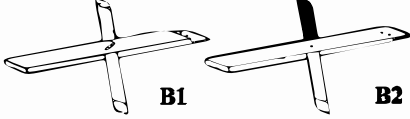

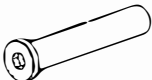


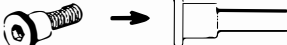
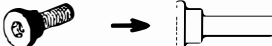




ASSEMBLY INSTRUCTIONS

RECLAIMED TEAK RECTANGULAR TABLE (ATF46), (ATF47)

STEP 4



NO.	PARTS.	QTY.
A	TABLE TOP 	1
B1, B2	LEGS. 	2
C	SUPPORT LEGS 	1
D	NUT (LONG) 	4
E	NUT (SHORT) 	4
F	NUT (MIDDLE) 	2
G	STUD - (LONG) 	4
I	STUD - (SHORT) 	4
H	HEXAGONAL WRENCH 	1
J	FIBER RING 	18+2