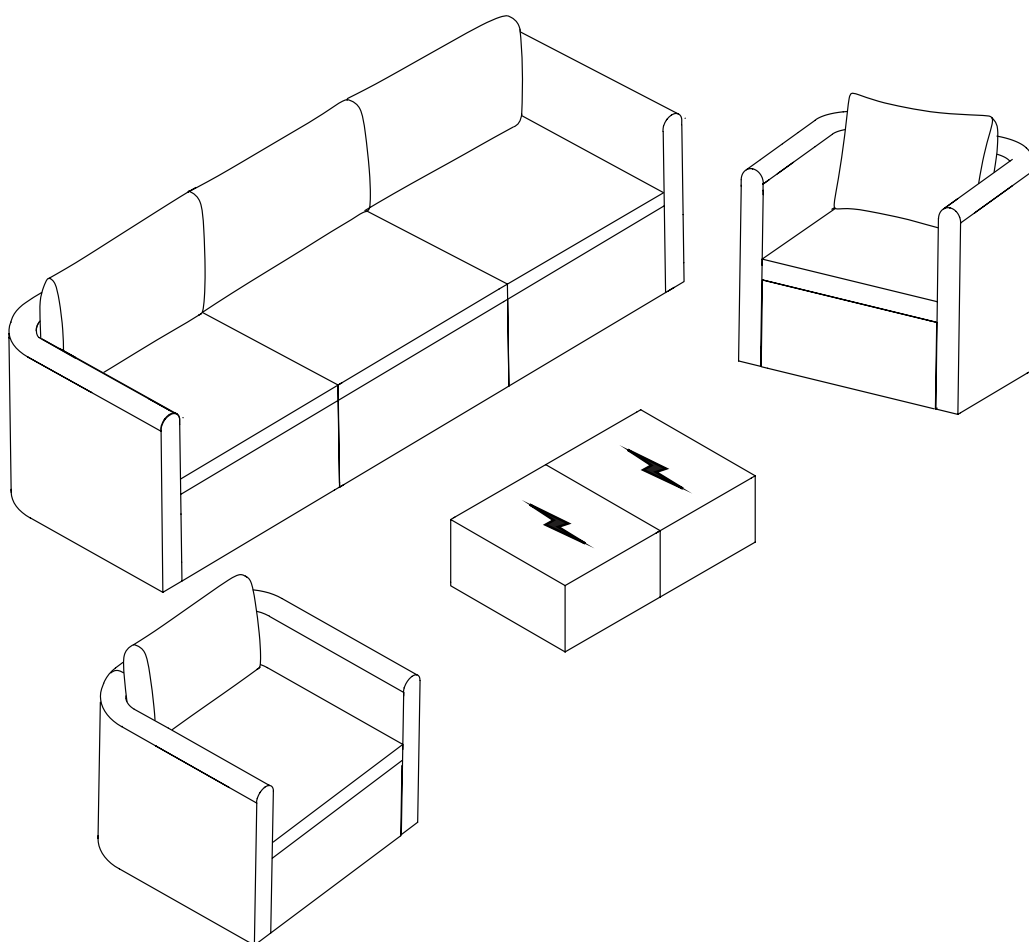
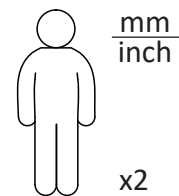
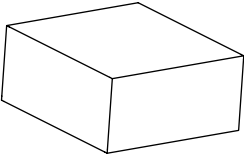
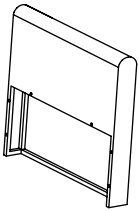
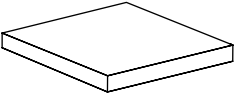
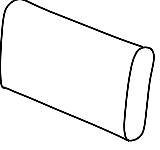



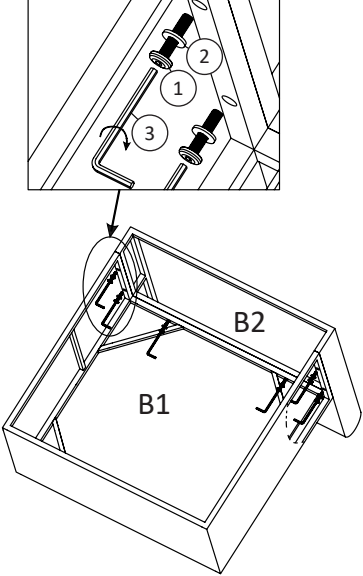
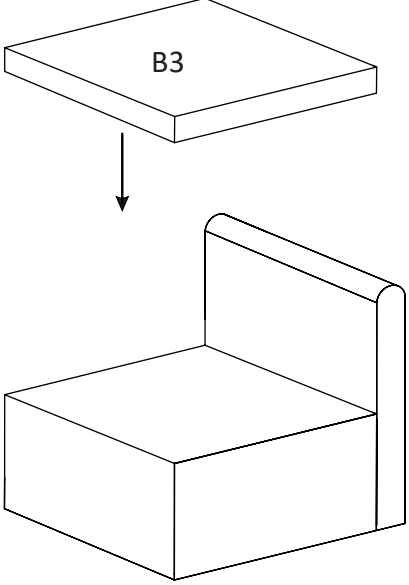
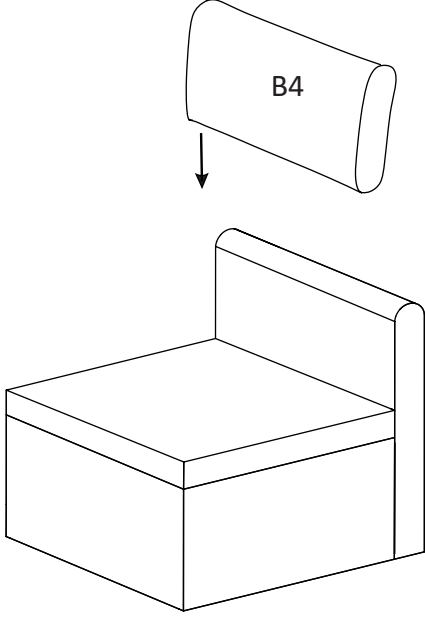
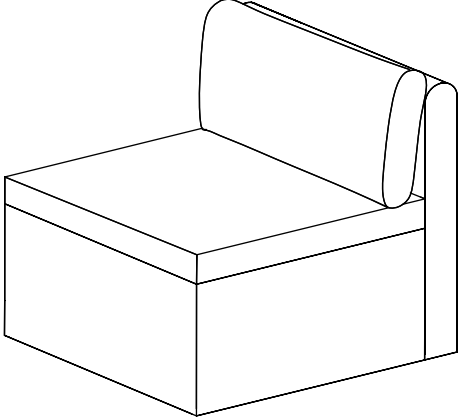


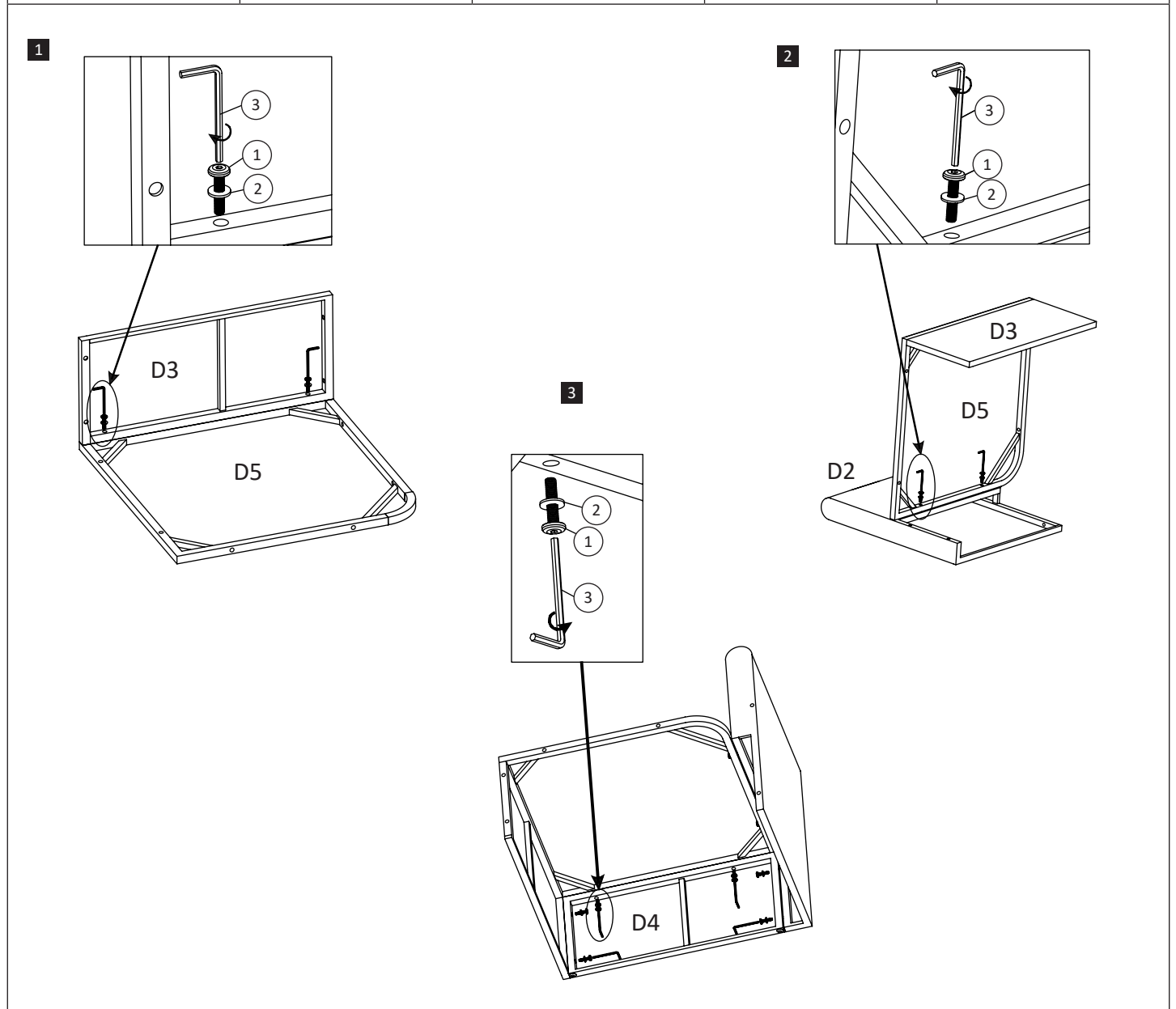
SKU : 46553

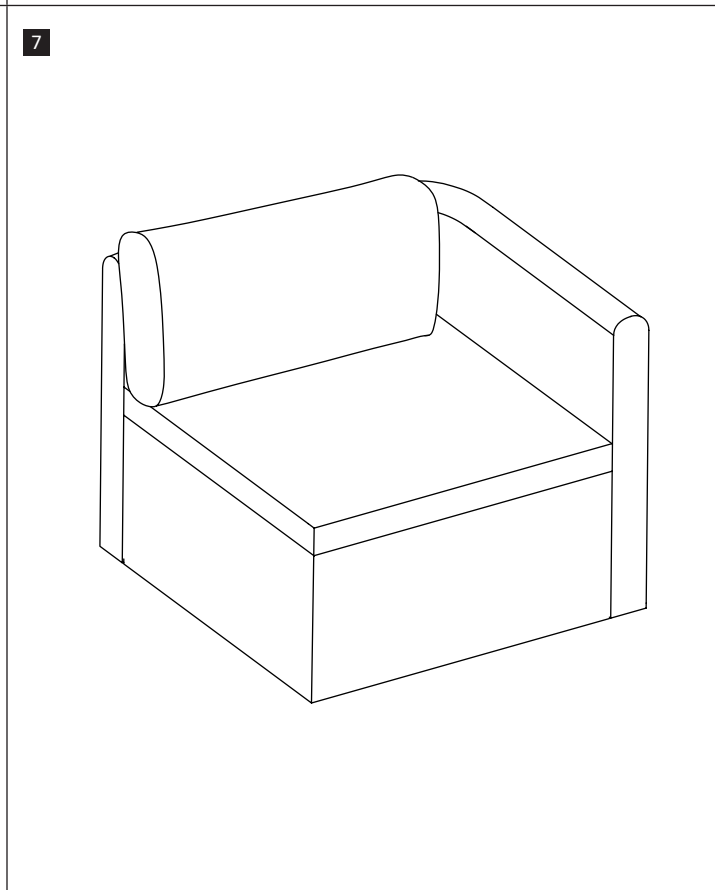
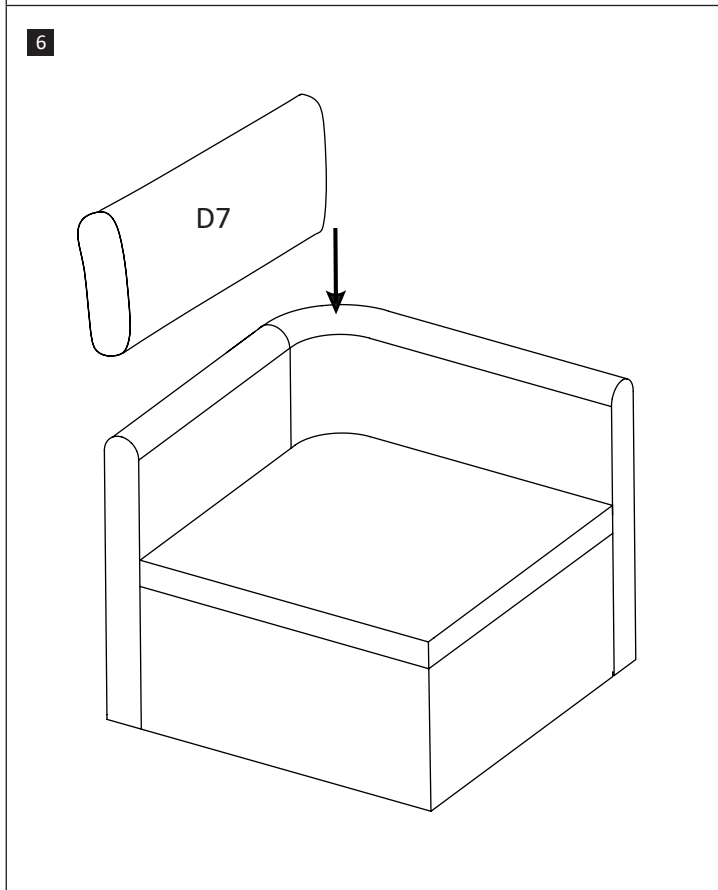
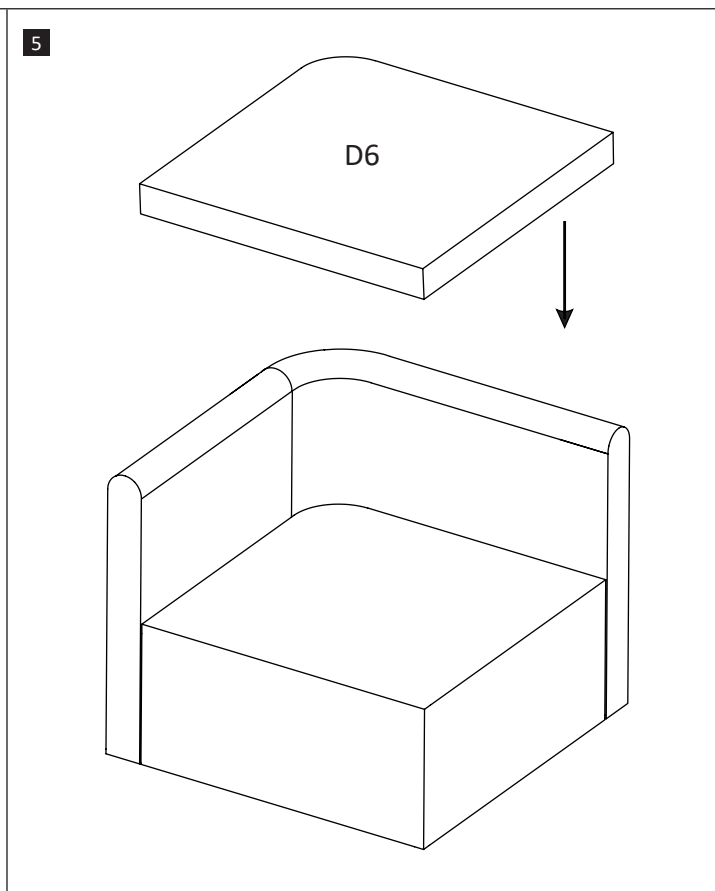
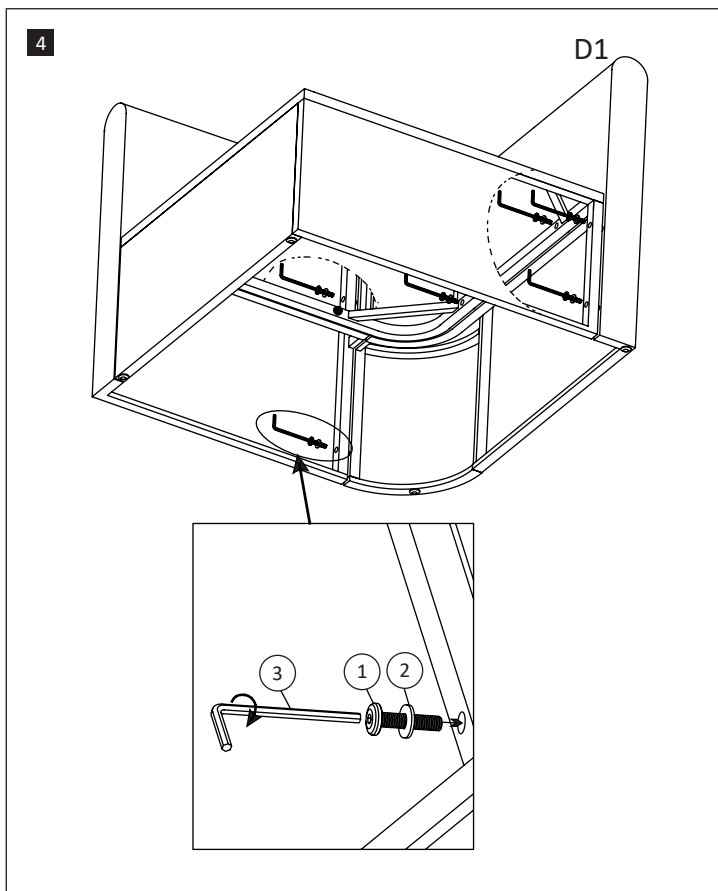
Batch Nr : 1901054029

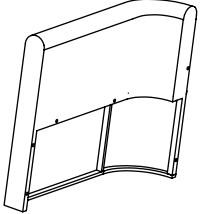
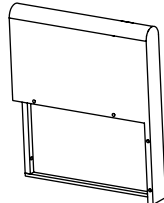
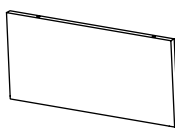
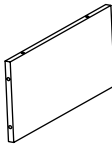
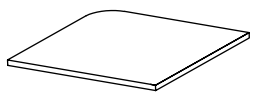
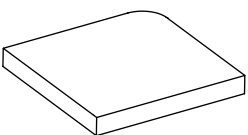
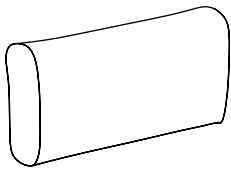





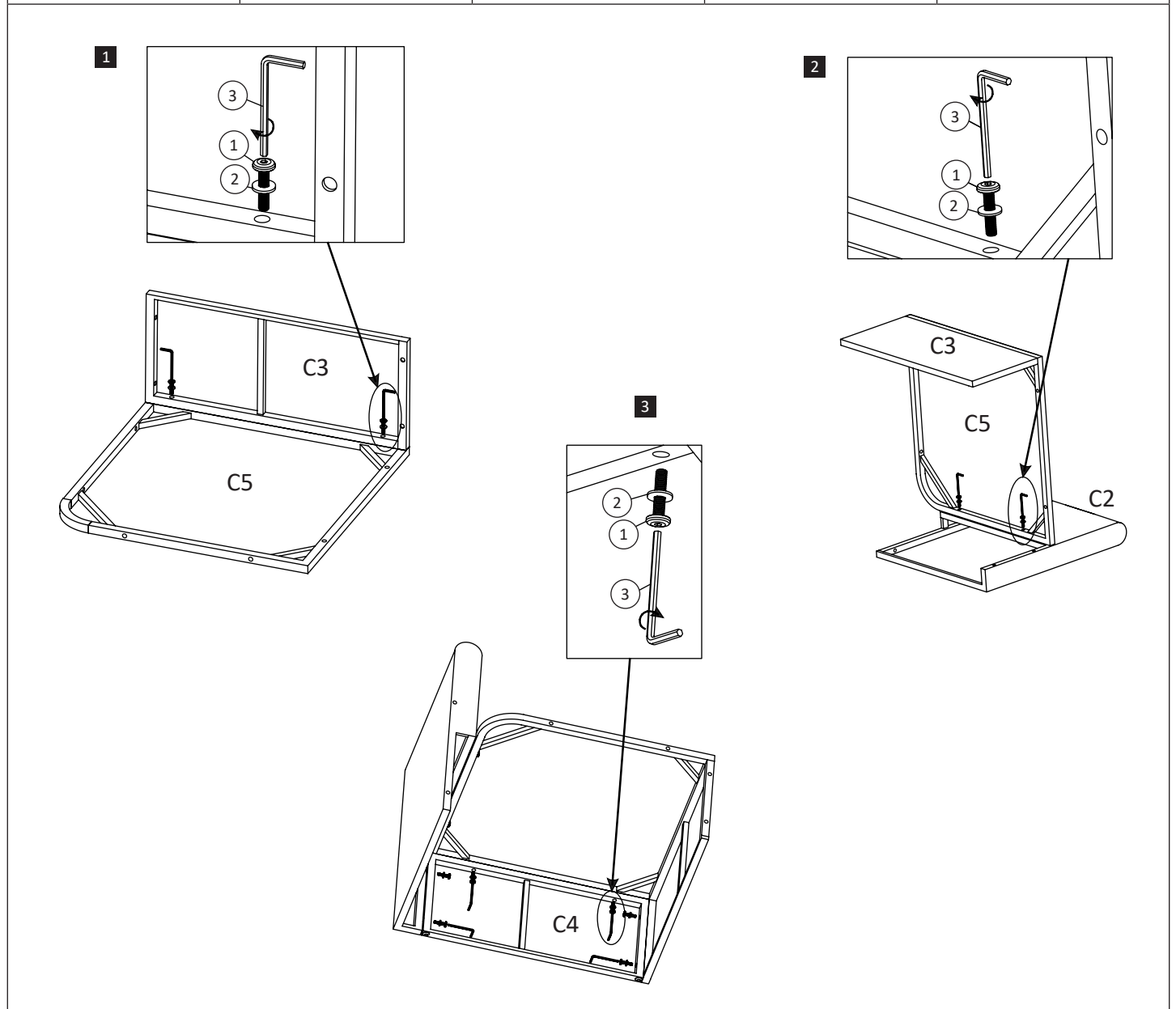
<p>B1x1</p> 	<p>B2x1</p> 	<p>B3x1</p> 	<p>B4x1</p> 
<p>① x6</p>  <p>M6x $\frac{35}{1.4}$</p>	<p>② x6</p>  <p>M6</p>	<p>③ x1</p> 	
<p>1</p> 	<p>2</p> 		
<p>3</p> 	<p>4</p> 		

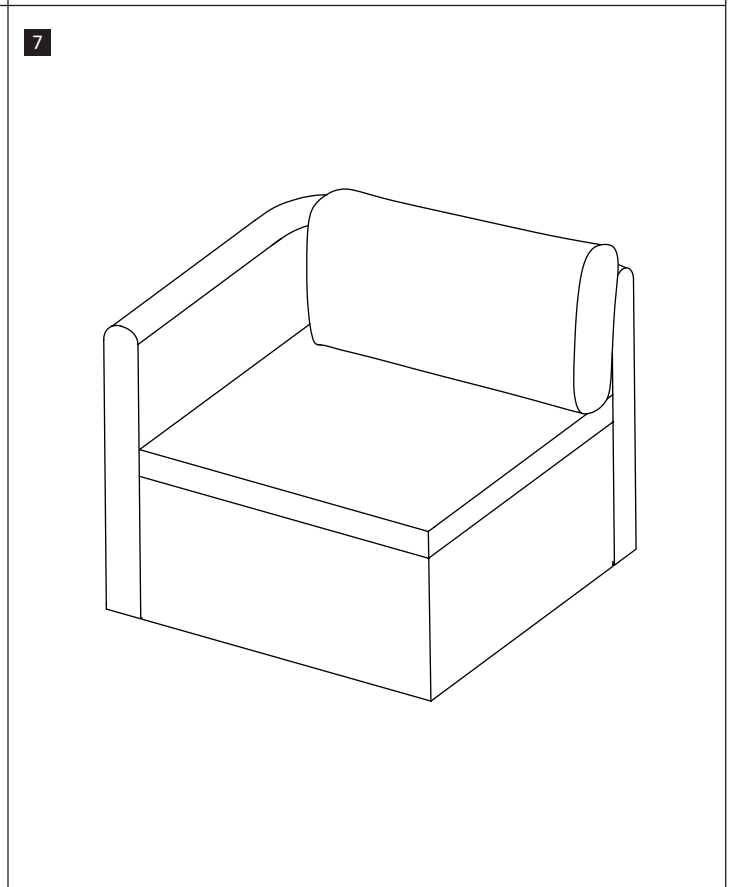
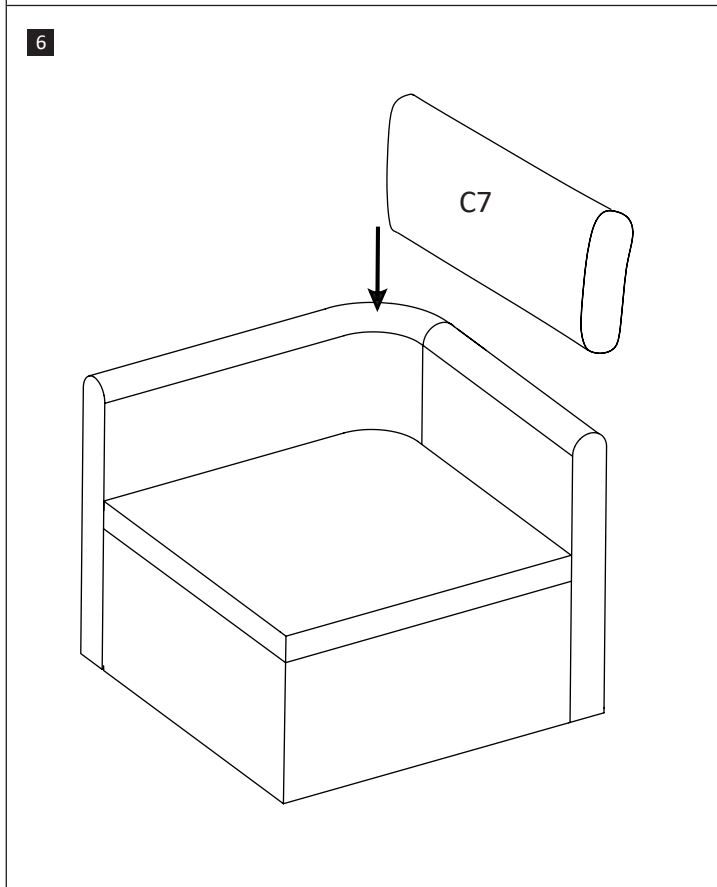
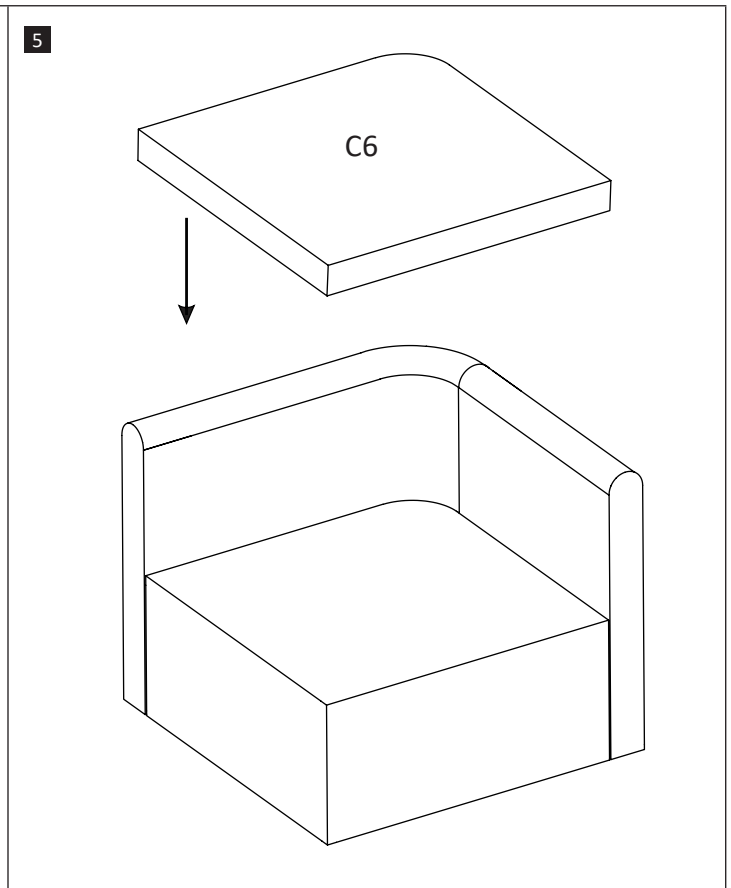
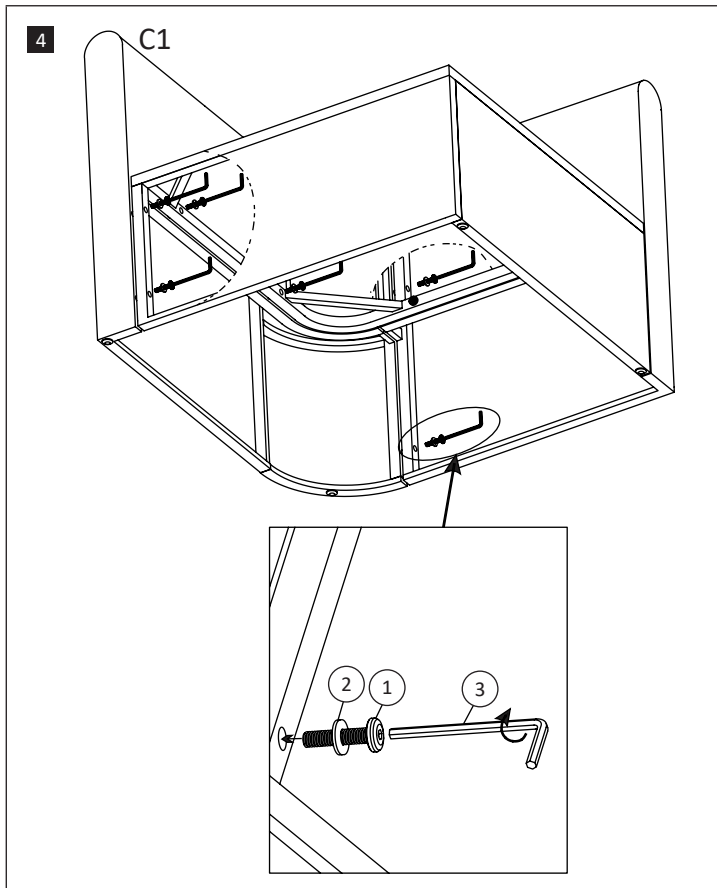
<p>D1x1</p>	<p>D2x1</p>	<p>D3x1</p>	<p>D4x1</p>	<p>D5x1</p>
<p>D6x1</p>	<p>D7x1</p>	<p>① x16</p> <p>M6x $\frac{35}{1.4}$</p>	<p>② x16</p> <p>M6</p>	<p>③ x1</p>



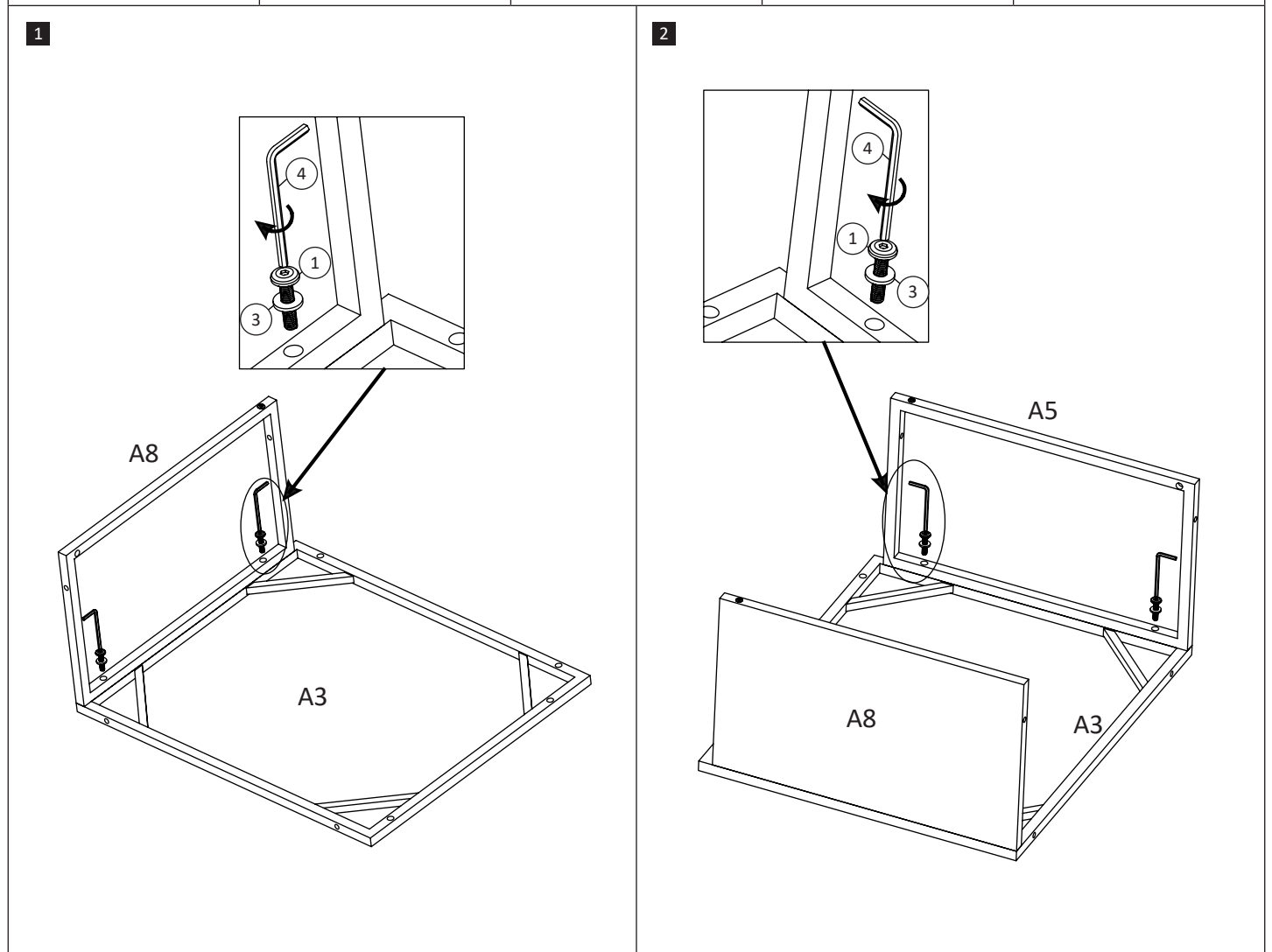


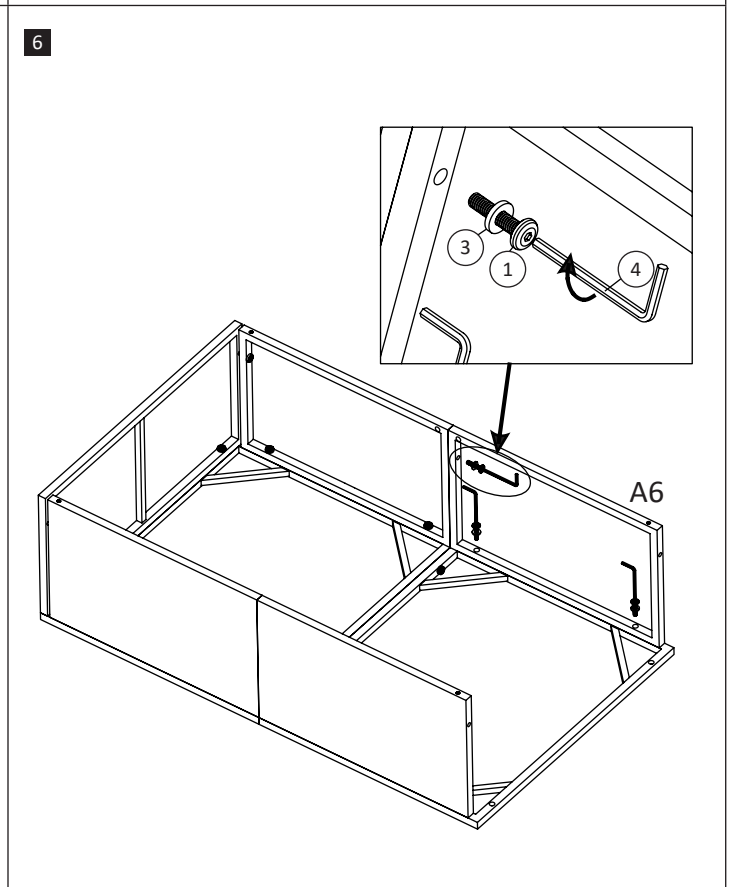
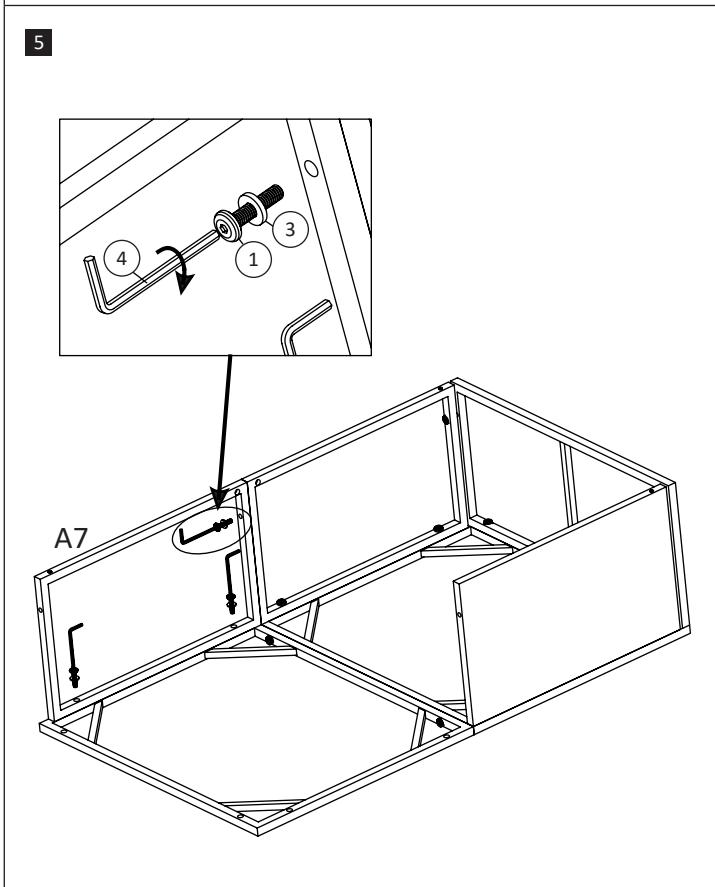
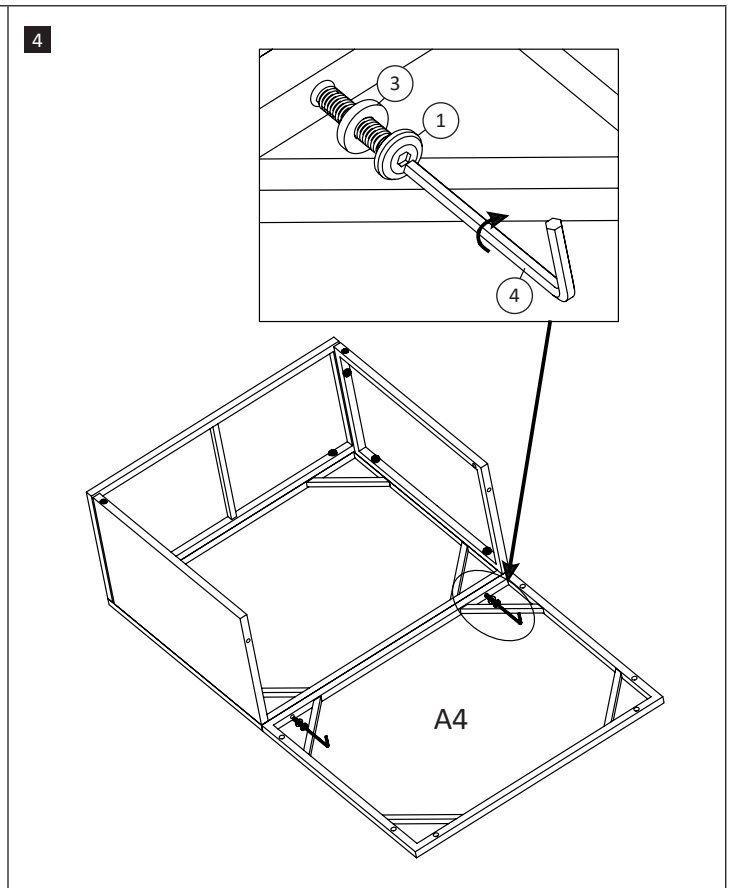
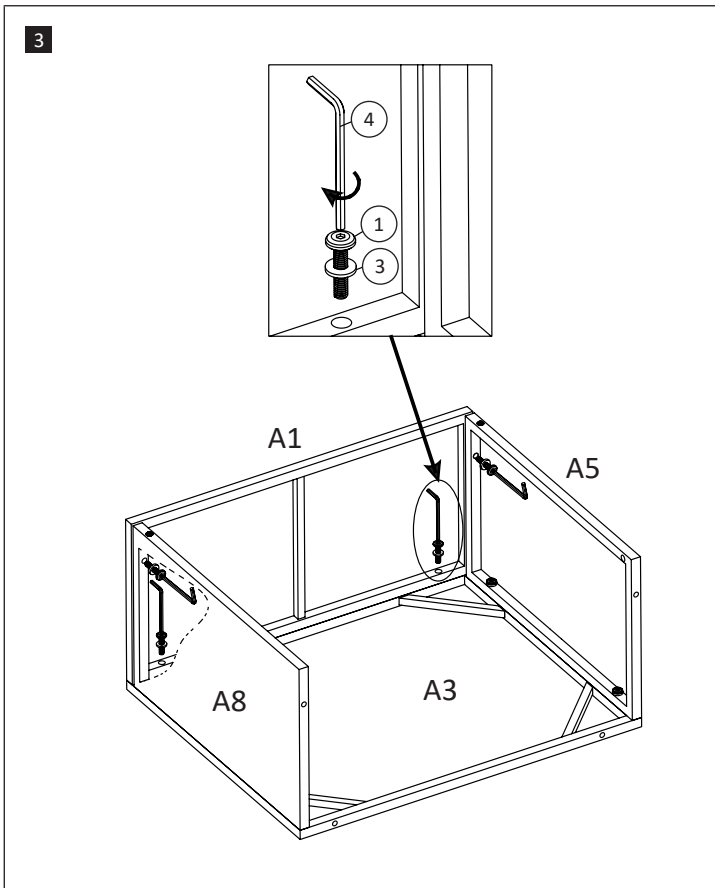
<p>C1x1</p> 	<p>C2x1</p> 	<p>C3x1</p> 	<p>C4x1</p> 	<p>C5x1</p> 
<p>C6x1</p> 	<p>C7x1</p> 	<p>① x16</p>  <p>M6x $\frac{35}{1.4}$</p>	<p>② x16</p>  <p>M6</p>	<p>③ x1</p> 

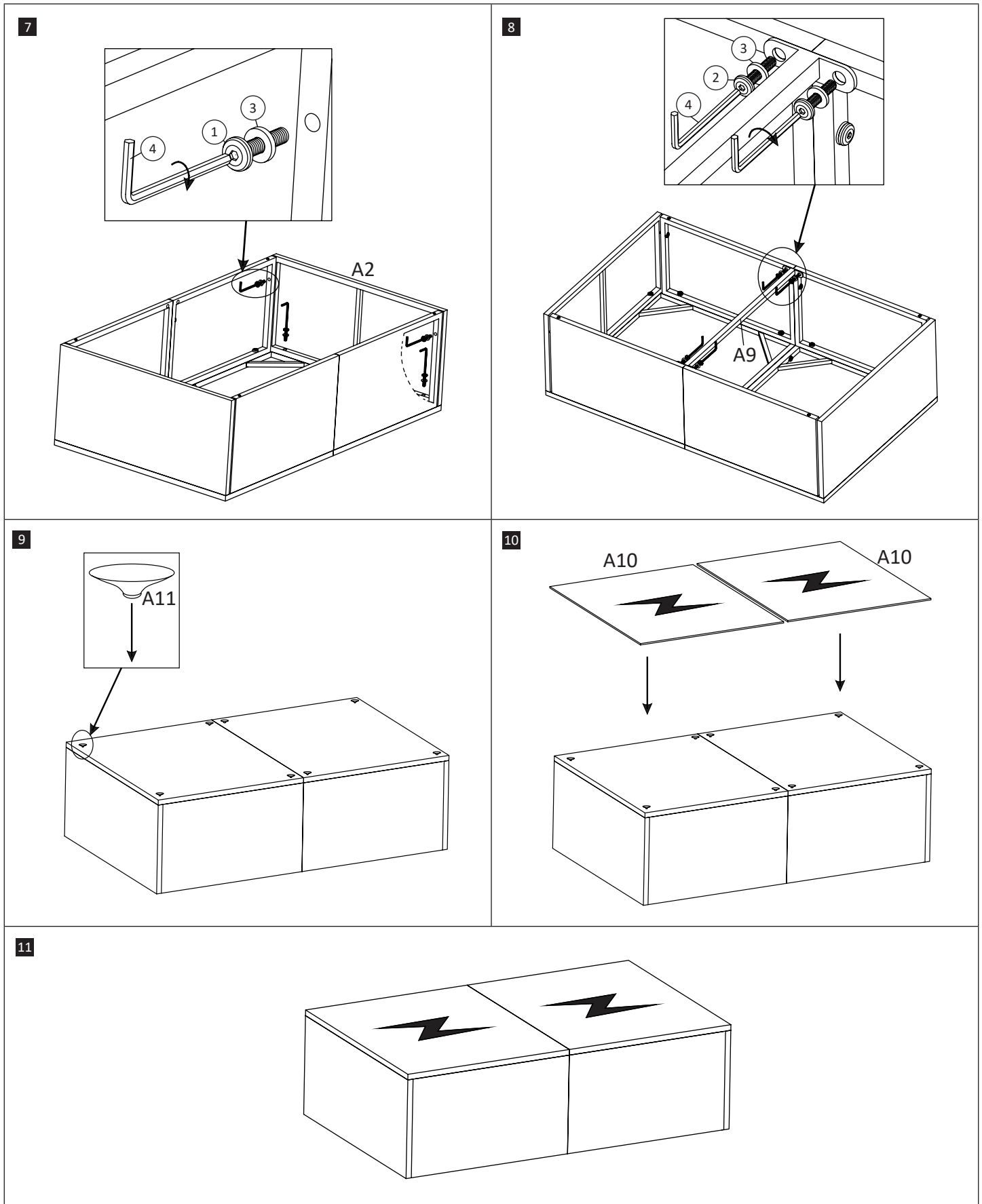


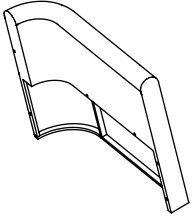
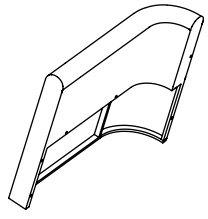
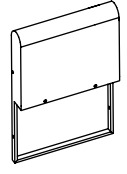
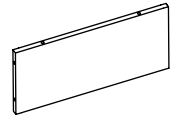
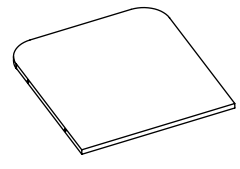
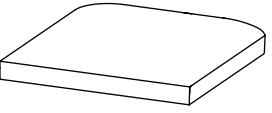
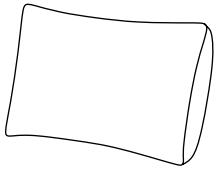
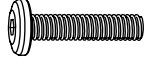



A1x1 	A2x1 	A3x1 	A4x1 	A5x1
A6x1 	A7x1 	A8x1 	A9x1 	A10x2
A11x8 	① x20 M6x $\frac{35}{1.4}$	② x4 M6x $\frac{20}{0.8}$	③ x24 M6	④ x1







<p>E1x2</p> 	<p>E2x2</p> 	<p>E3x2</p> 	<p>E4x2</p> 	<p>E5x2</p> 
<p>E6x2</p> 	<p>E7x2</p> 	<p>① x32</p>  <p>M6x $\frac{35}{1.4}$</p>	<p>② x32</p>  <p>M6</p>	<p>③ x2</p> 