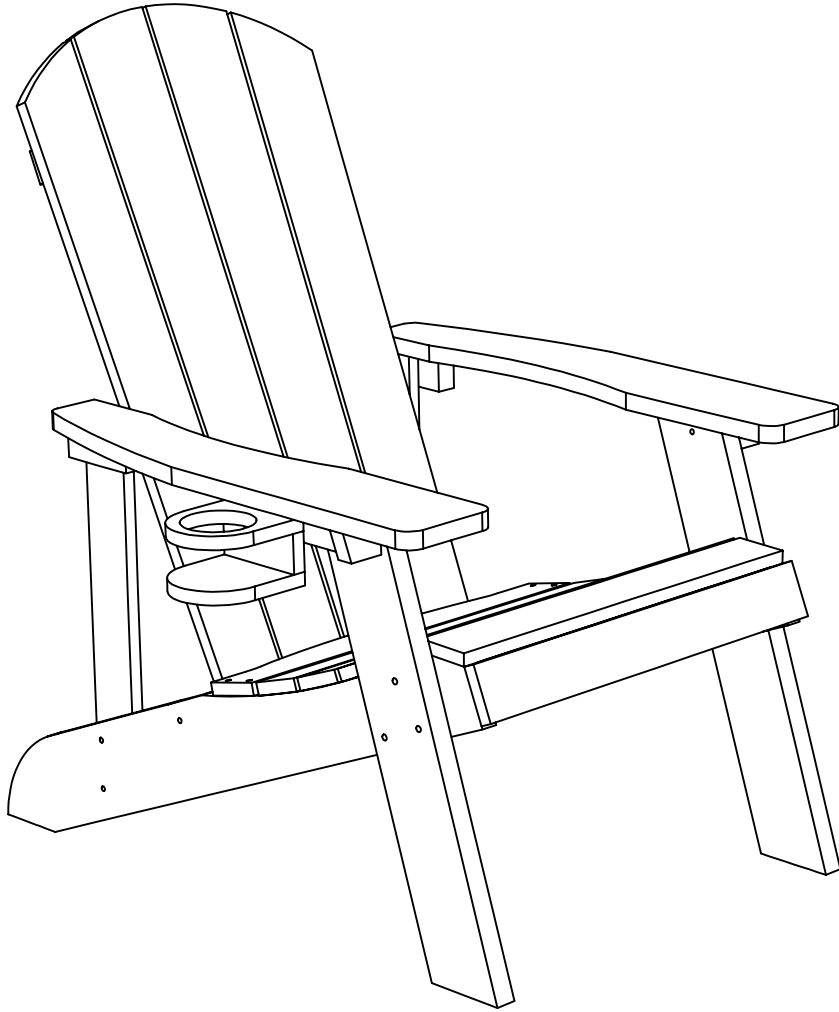


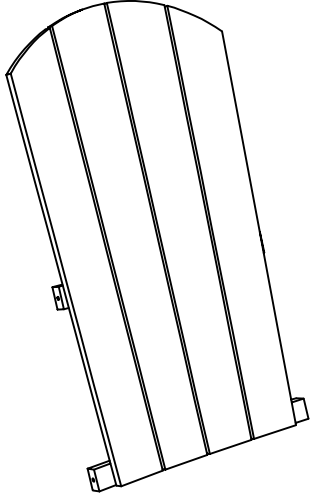
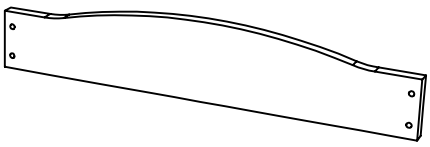
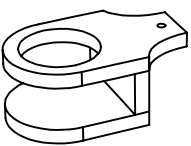
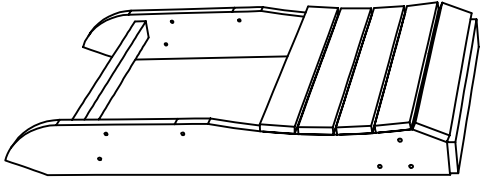

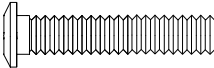
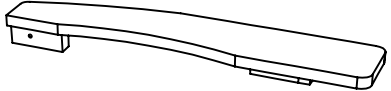
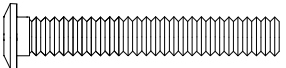
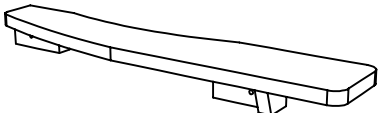
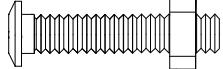


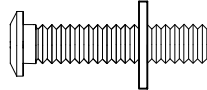
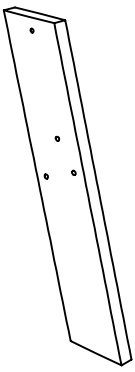
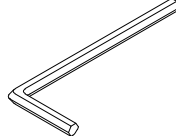
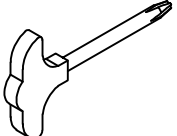
Assembly Instructions



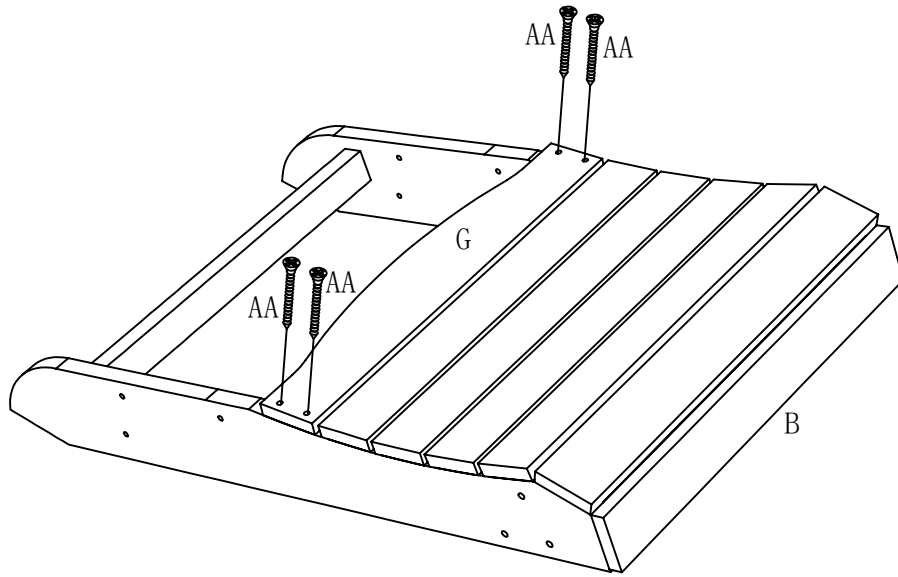
Fixed Adirondack Chair

Notice:

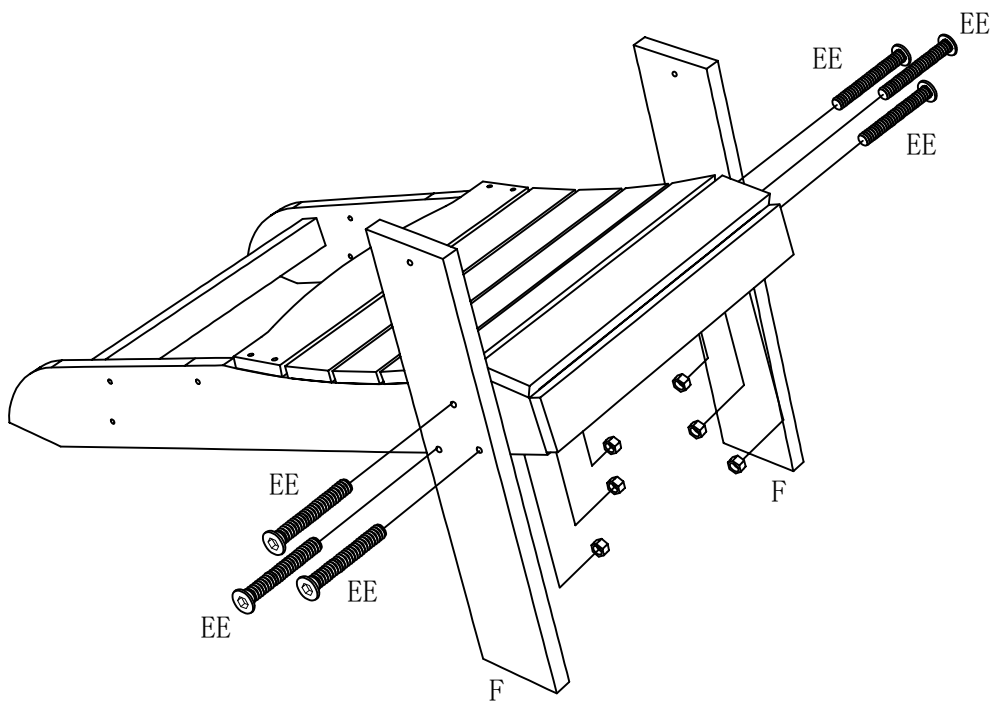
- 1. Follow the installation instructions. Please confirm all accessories are preset before installation.**
- 2. Do not fully tighten the screws during initial assembly. Fully tighten screws only once all pieces which are correctly assembled.**
- 3. If you encounter any problems during installation, please contact our customer service.**

A		1PC	G		1PC
			H		1PC
B		1PC	AA	 4*35 Screw	4PCS
			BB	 M6*45 Bolt	2PCS
C		1PC	CC	 M6*70 Bolt	2PCS
D		1PC	DD	 M6*45 Bolt	4PCS
E		1PC	EE	 M6*60 Bolt	8PCS
			FF	 M6*30 Bolt	1PC
F		1PC			
					

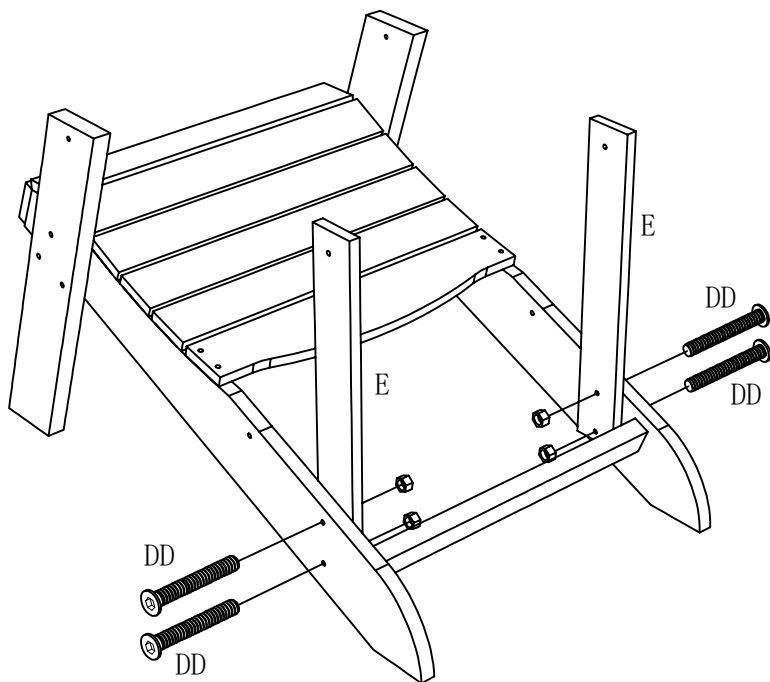
1



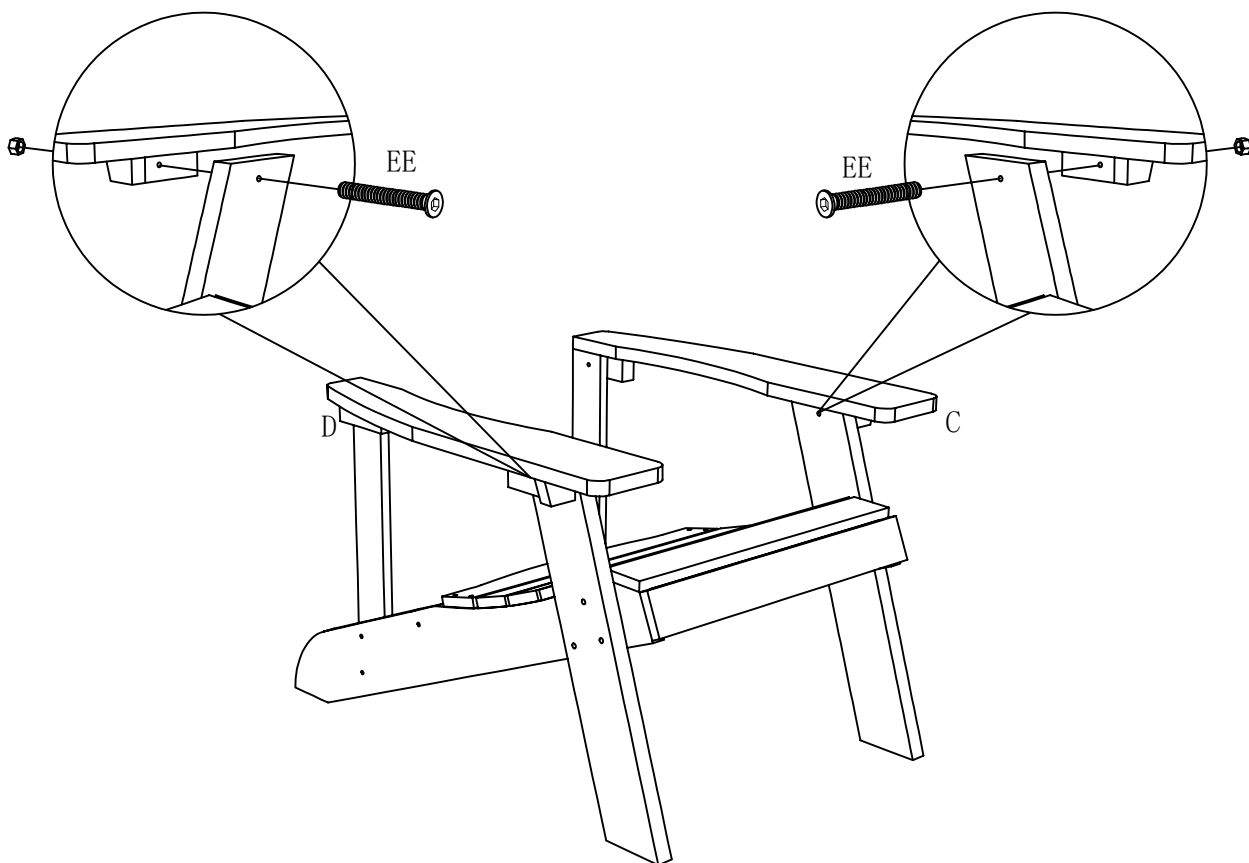
2



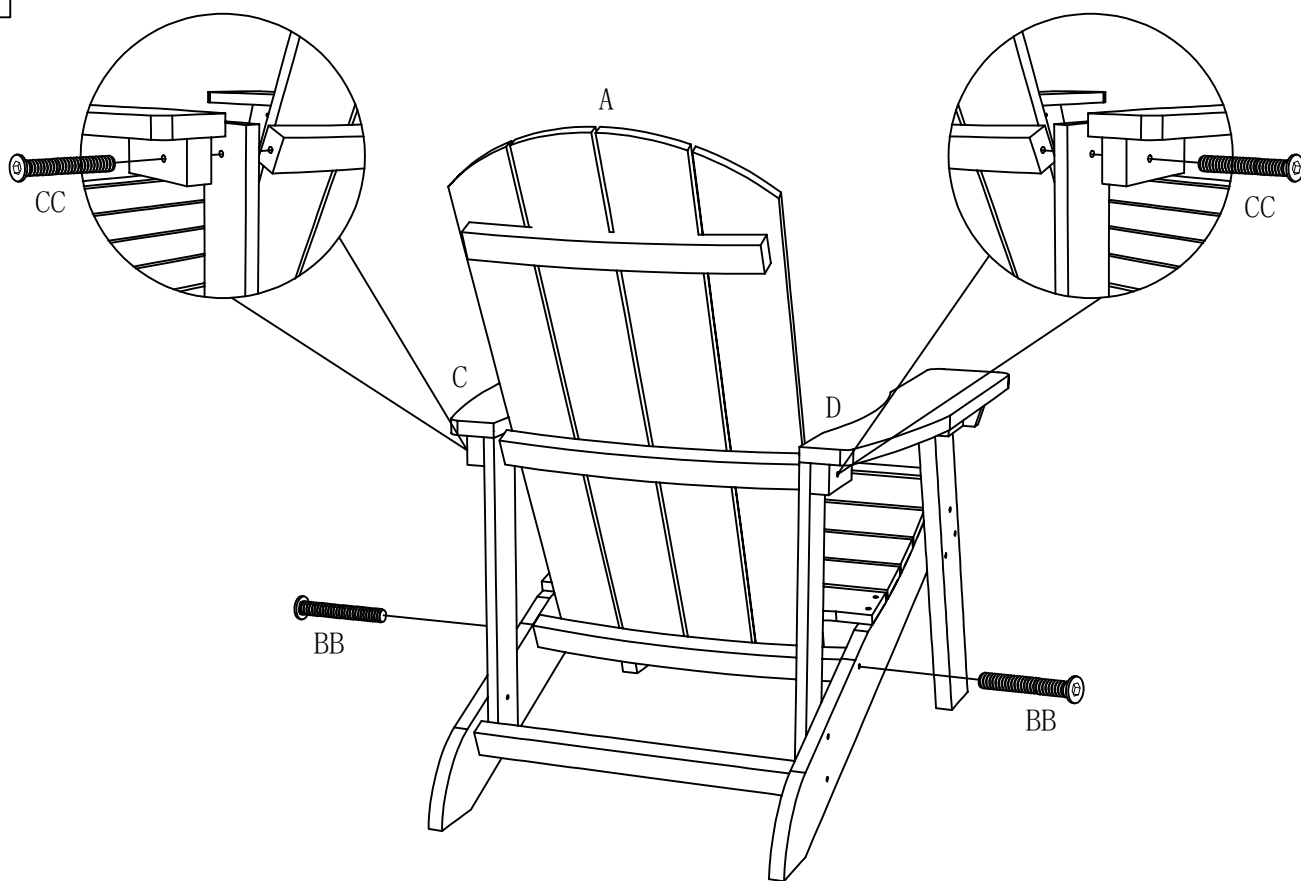
3



4



5



6

