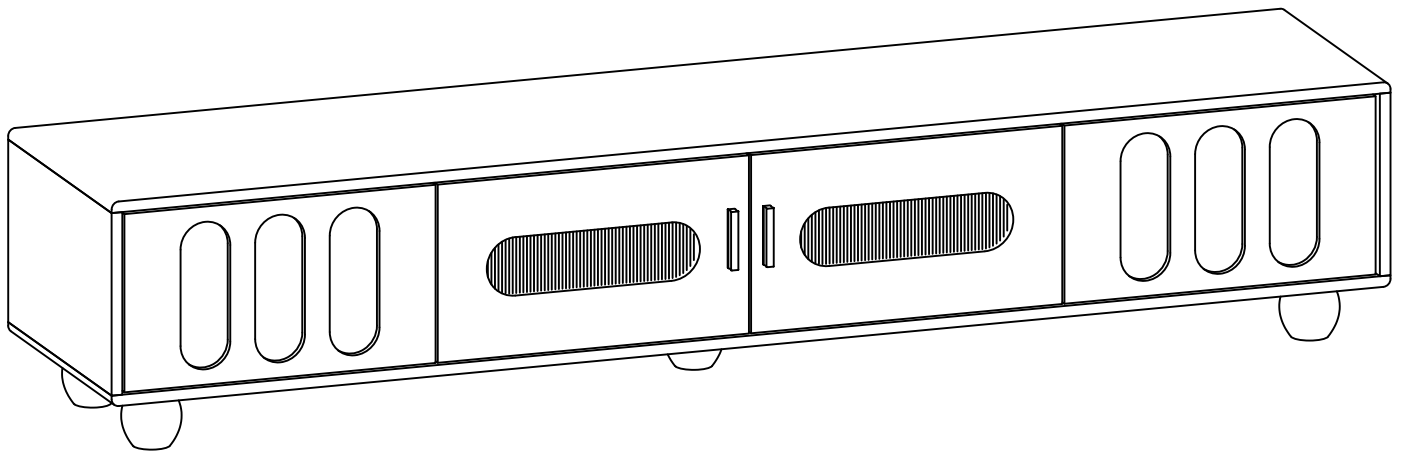


TV STAND

Assembly Instructions - Please keep for future reference.



DIMENSIONS

width - 70.87inch

Depth - 15.75inch

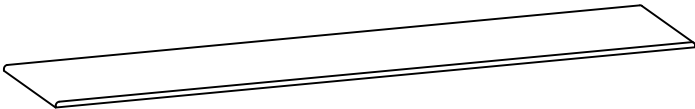
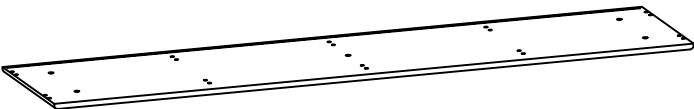
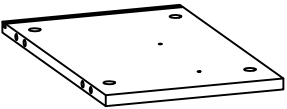
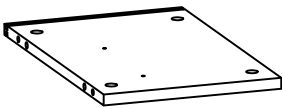
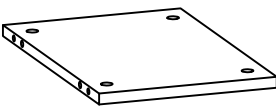
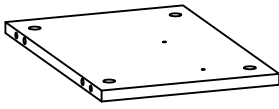
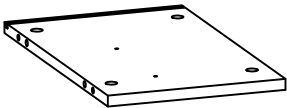


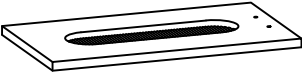
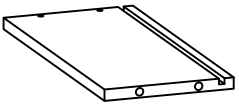
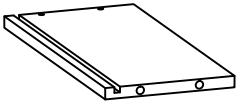


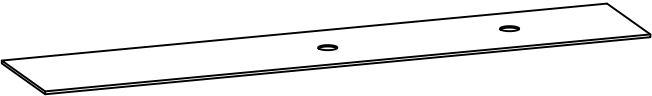


Height - 14.17inch

Important - Please read these instructions fully before starting assembly.

components - fittings

Please check you have all the panels listed below.

Note: The quantities below are the correct amount to complete the assembly. In some cases more fittings may be supplied than are required.

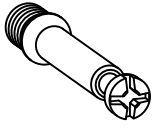











| | | | |
|---|---|--|---|
|  | |  | |
| ① x 1pc | | ② x 1pc | |
|  |  |  |  |
| ③ x 1pc | ④ x 1pc | ⑤ x 1pc | ⑥ x 1pc |
|  |  |  |  |
| ⑦ x 1pc | ⑧ x 1pc | ⑨ x 1pc | ⑩ x 2pcs |
|  |  |  |  |
| ⑪ x 2pcs | ⑫ x 2pcs | ⑬ x 2pcs | ⑭ x 2pcs |
|  | |  |  |
| ⑮ x 1pc | | ⑯ x 1pc | ⑰ x 5pcs |

components - fittings

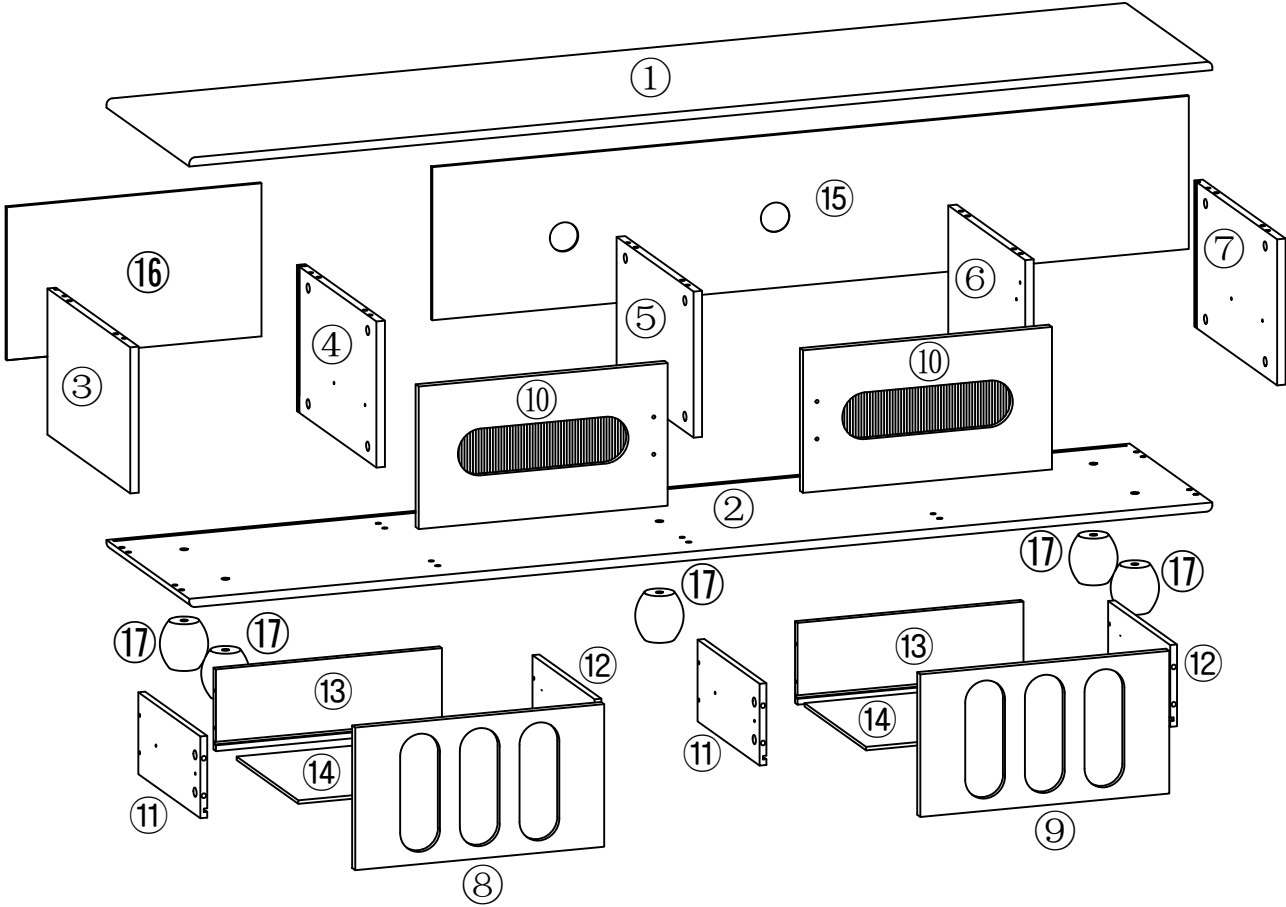
Please check you have all the panels listed below.

Note: The quantitie below are the correchet amount to complete the assembly. In some cases more fittings may be supplied than are required.

Hardware-Liste

| | | | |
|--|--|---|--|
|  M6x35mm |  Φ15x9mm |  Φ8x30mm |  M3x12mm |
| A x 28pcs | B x 28pcs | C x 20pcs | D x 24pcs |
|  |  M6x35mm |  |  |
| E x 4pcs | F x 5pcs | G x 4pcs | H x 2pcs |
|  M4x18mm |  M4x25mm |  M4x12mm |  |
| I x 4pcs | J x 8pcs | K x 24pcs | L x 1pc |

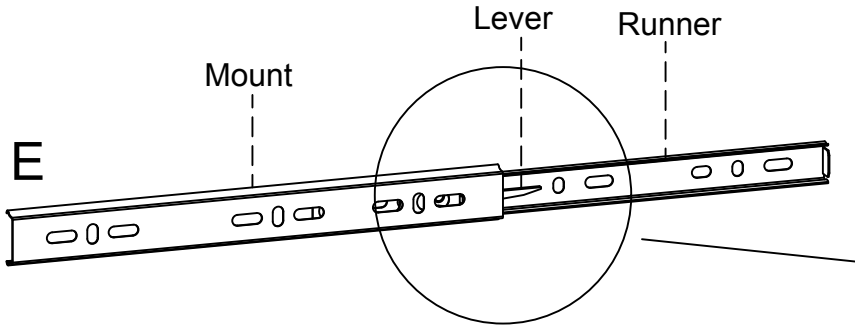
Assembly Instructions



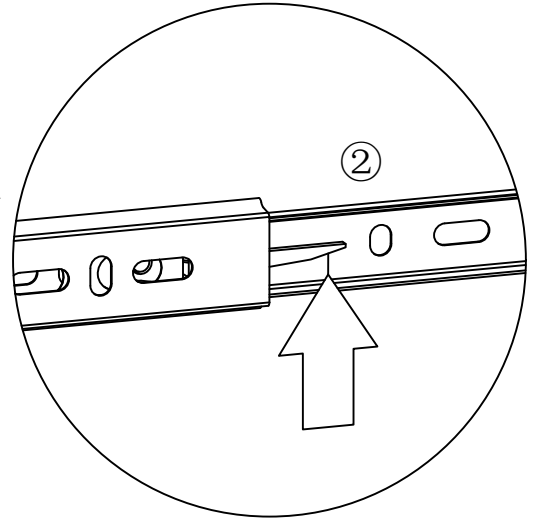
Assembly Instructions

STEP 1

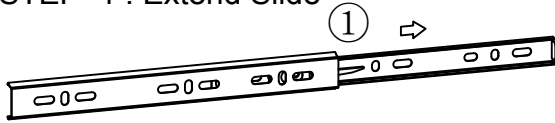
Slides Must Be Separated Before Assembly.
After Separated, Set Aside Until Needed for Assembly.



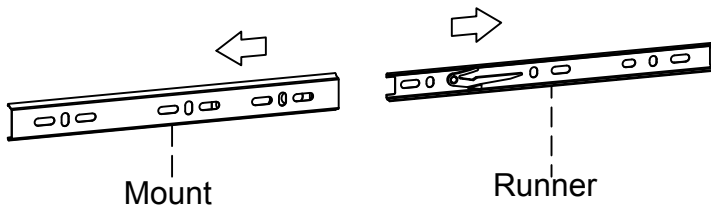
STEP 2 : Push Lever UP



STEP 1 : Extend Slide

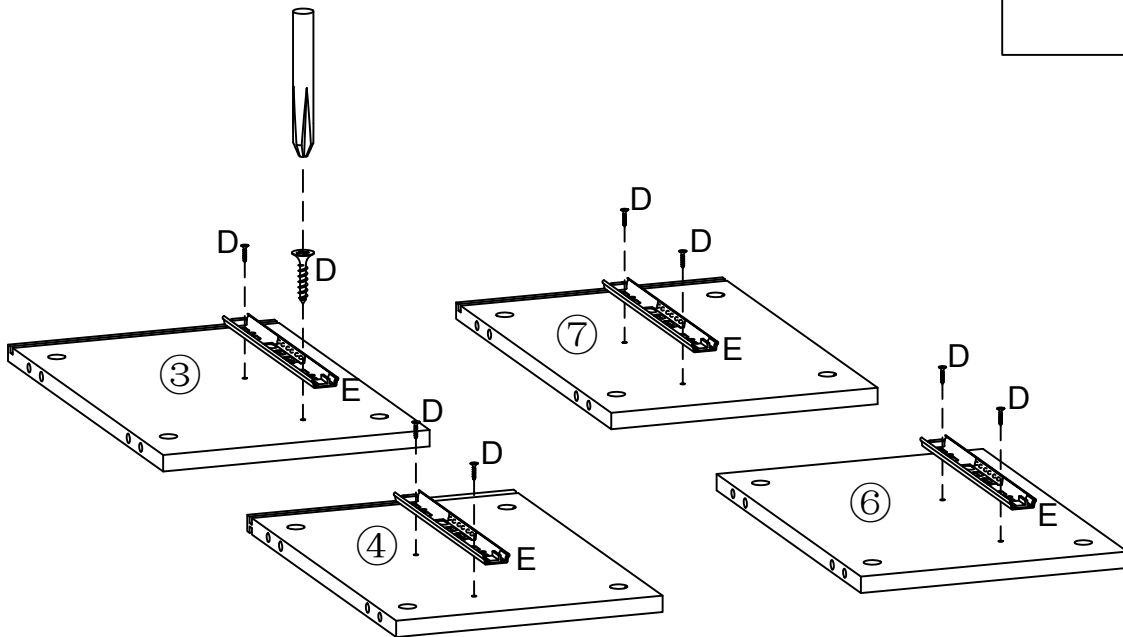
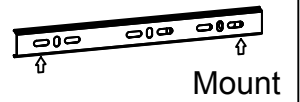




STEP 3 : Remove Runner



STEP 2

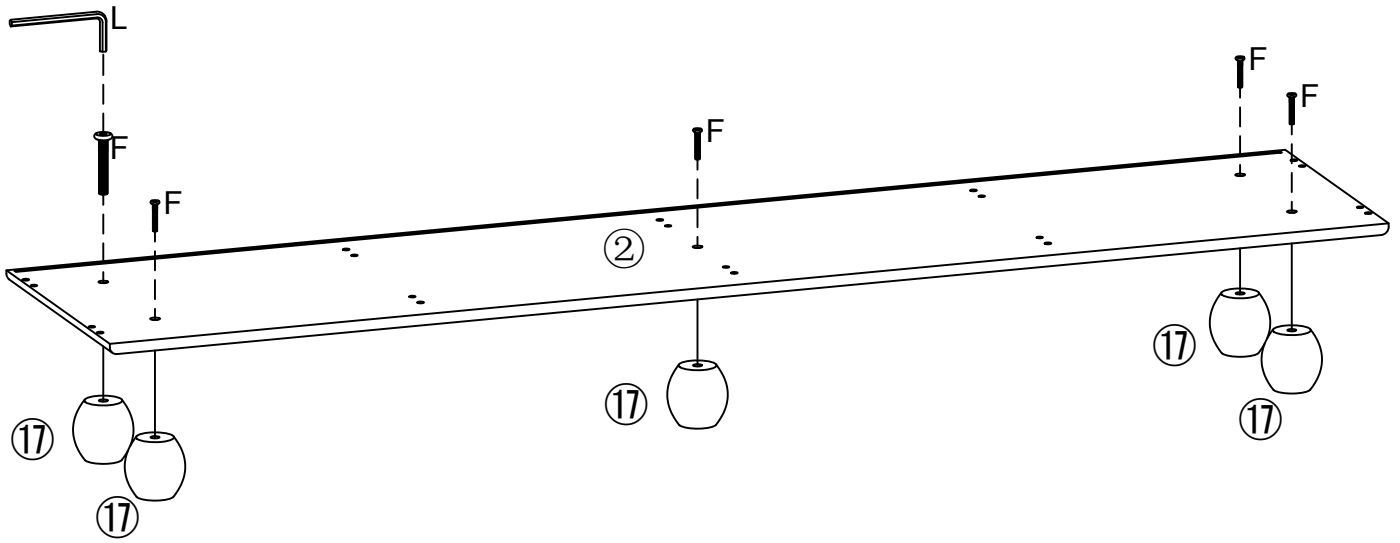
orientation





| | |
|---|---|
|  |  |
| D x8pcs | E x 4pcs |

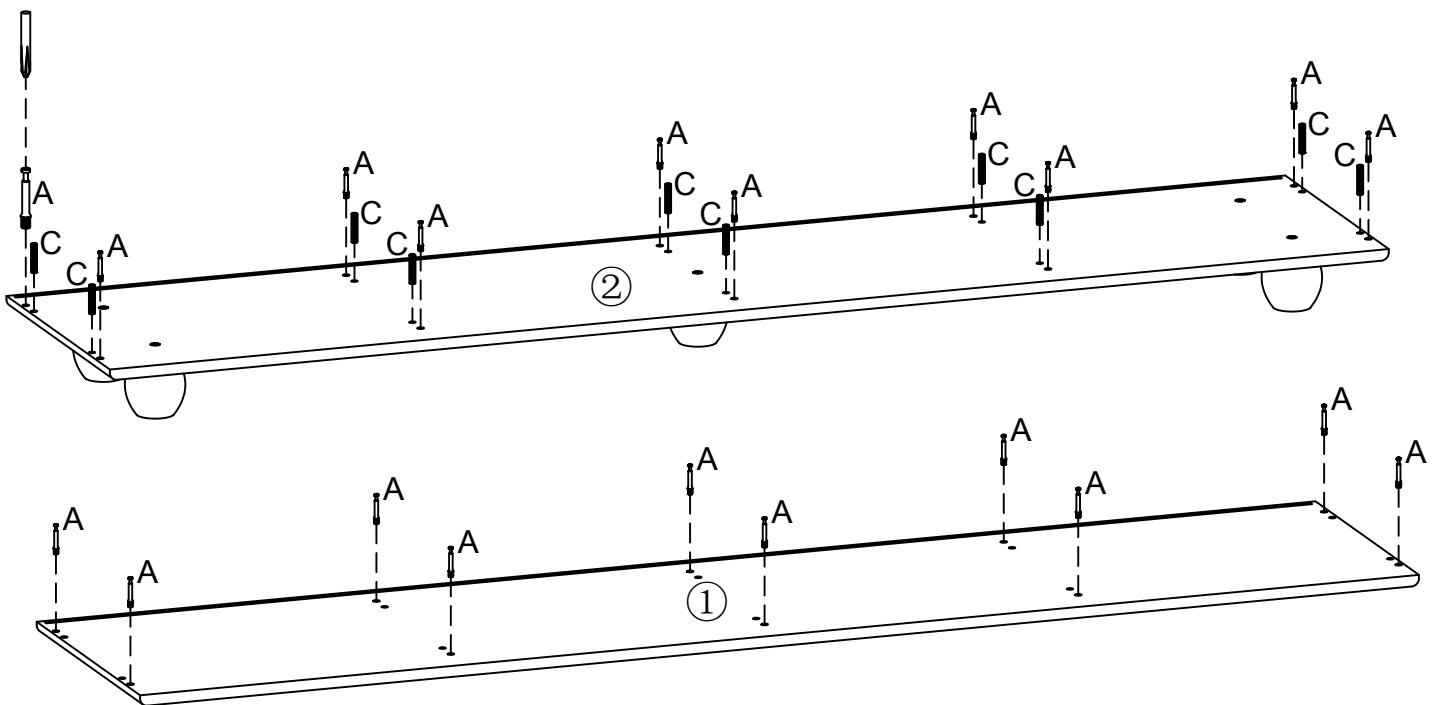
Assembly Instructions

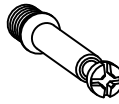

STEP 3



| | |
|--|---|
|  |  |
| F x5pcs | L x 1pc |

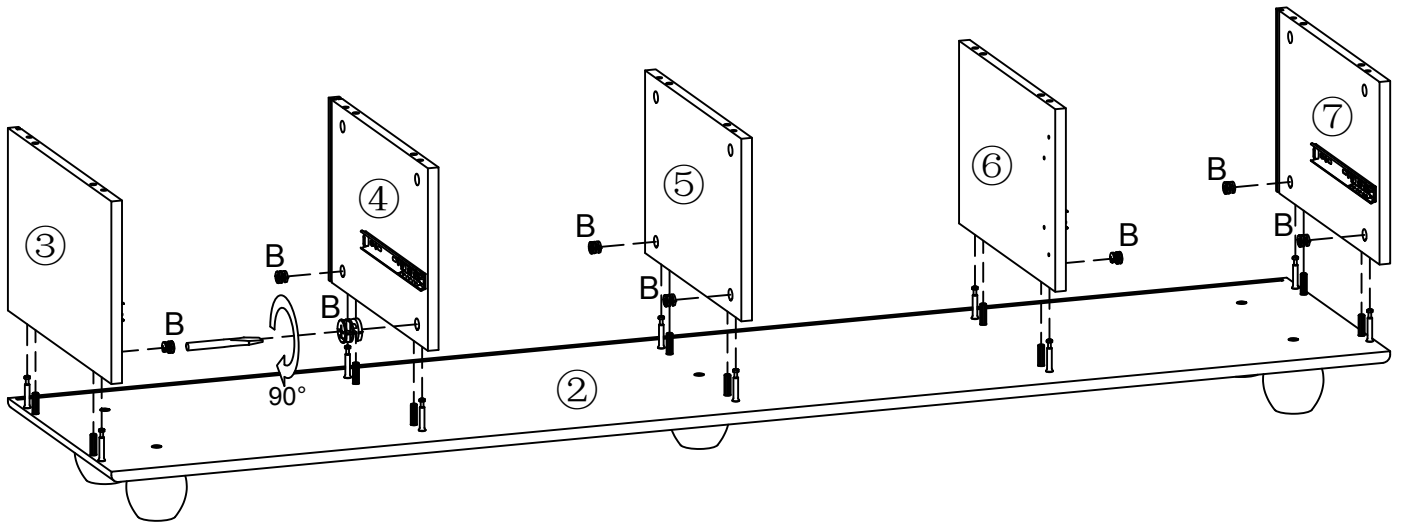
STEP 4



| | |
|---|---|
|  |  |
| A x20pcs | C x 10pcs |

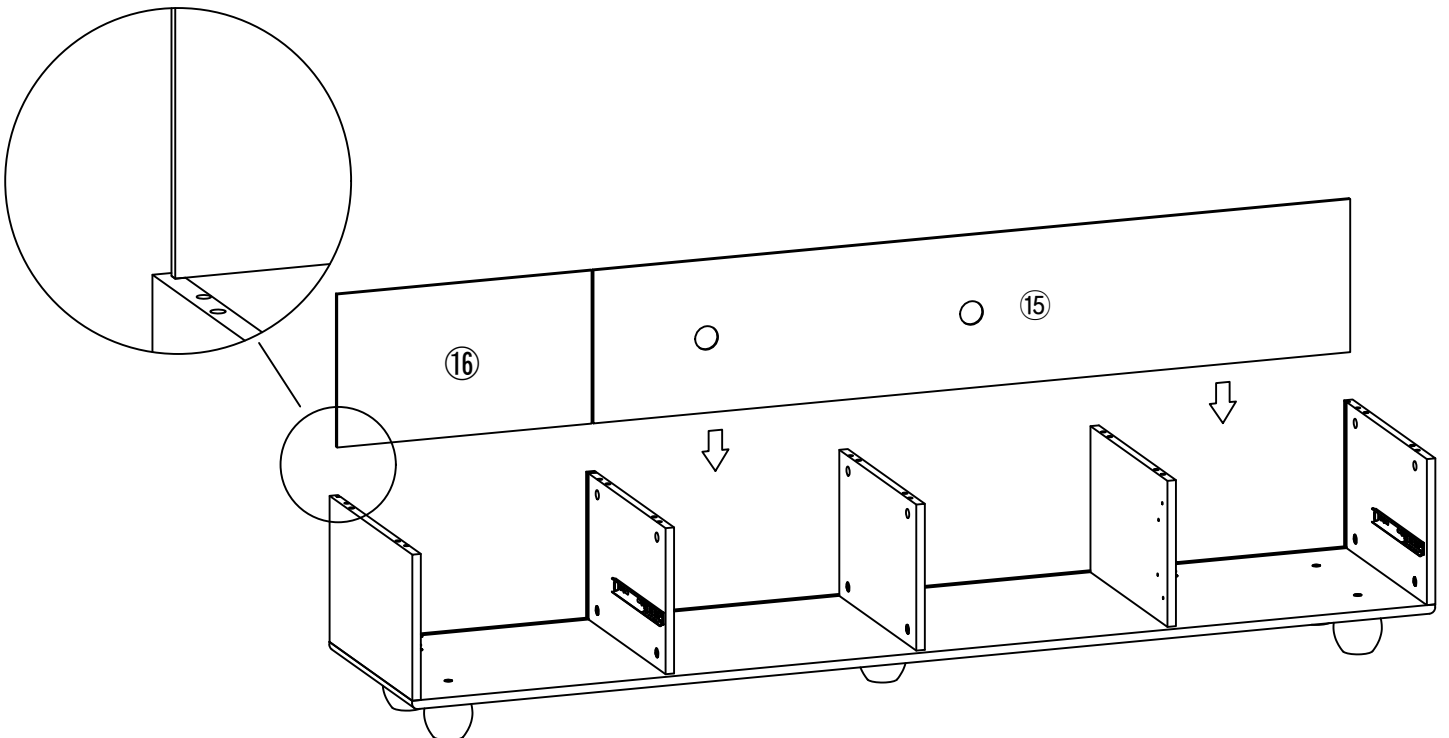
Assembly Instructions

STEP 5



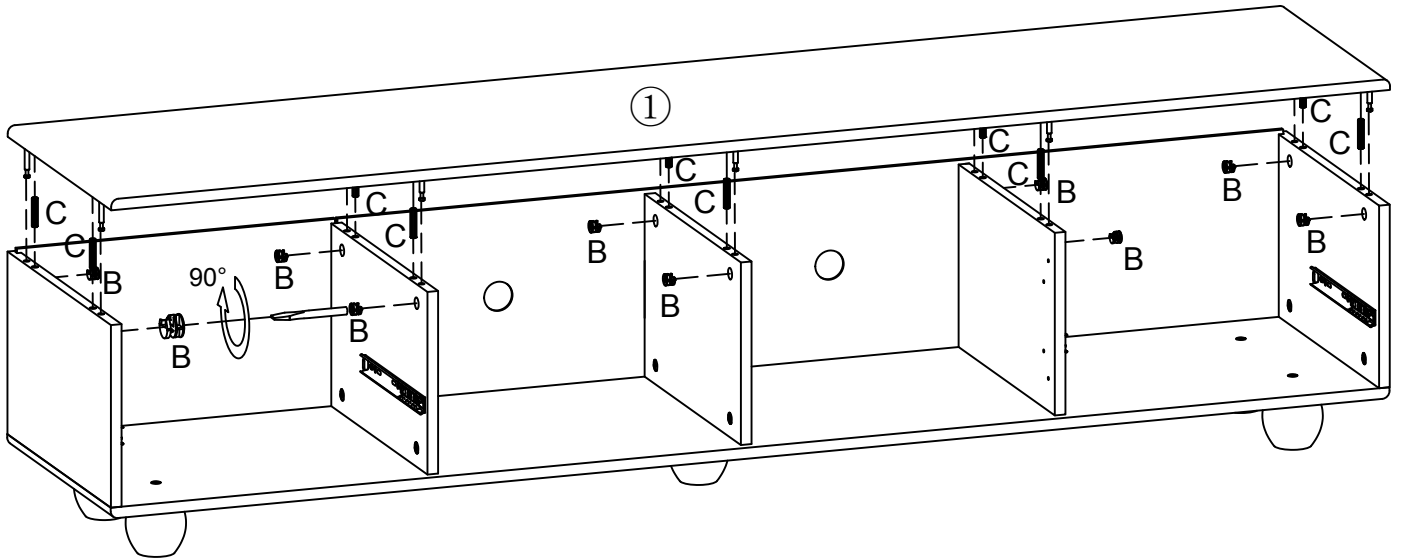
B x 10pcs



STEP 6



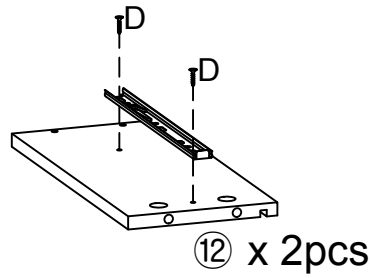
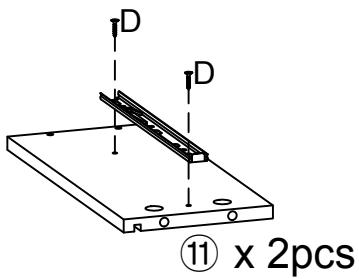
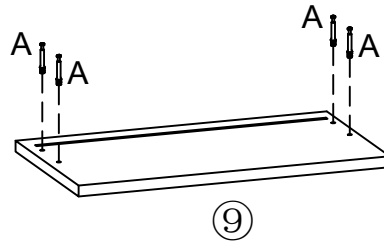
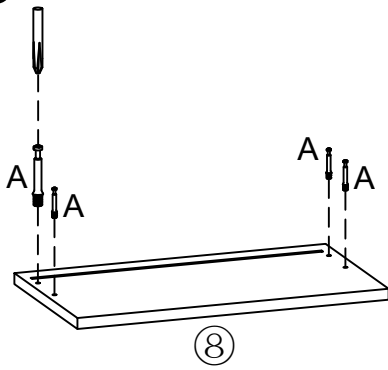
Assembly Instructions

STEP 7

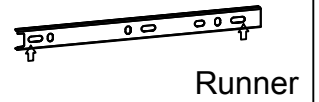





| | |
|--|---|
|  |  |
| B x 10pcs | C x 10pcs |

STEP 8



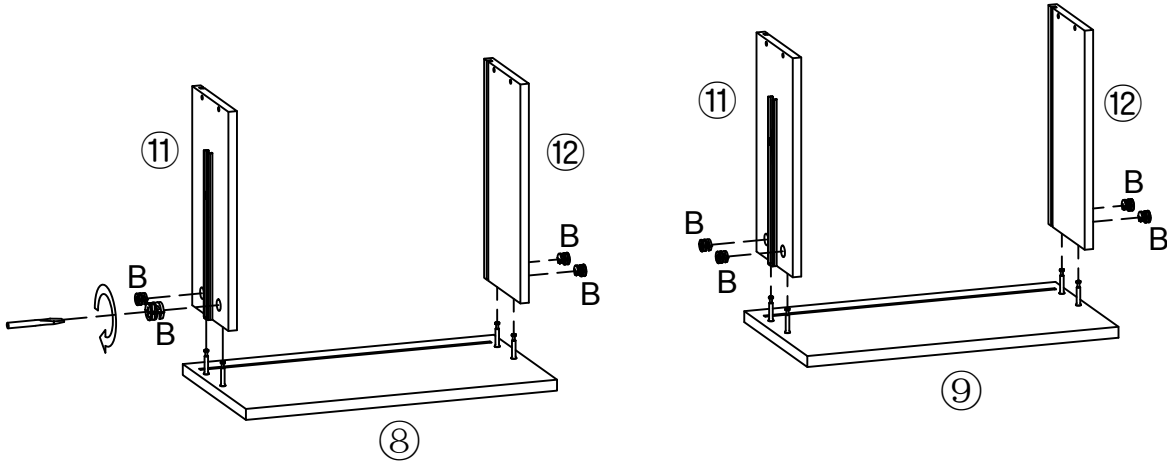
orientation



| | | |
|--|---|---|
|  |  |  |
| A x 8pcs | D x 8pcs | E x 4pcs |

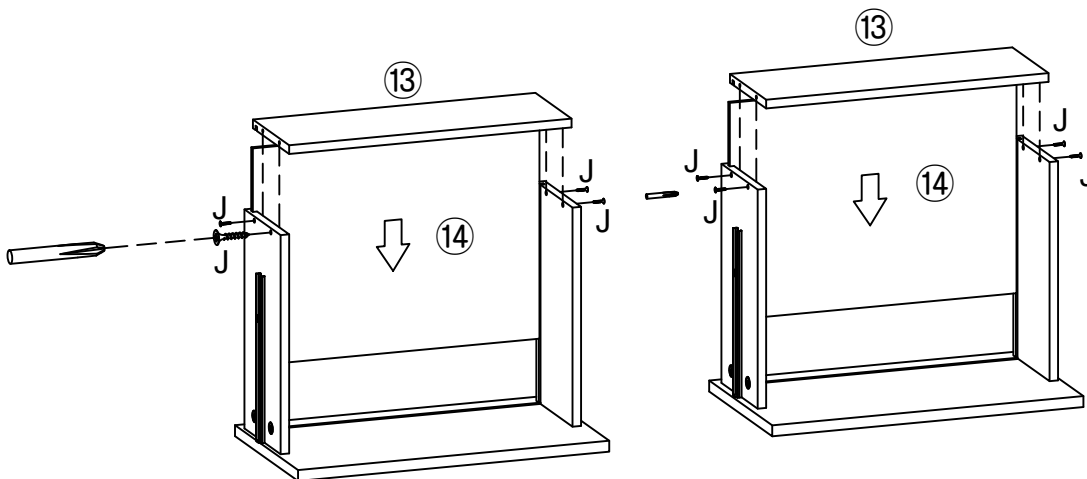
Assembly Instructions

STEP 9



B x 8pcs

STEP 10

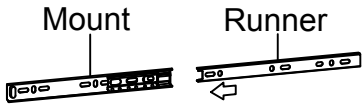


J x 8pcs

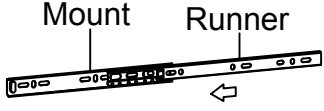
Assembly Instructions

STEP 11

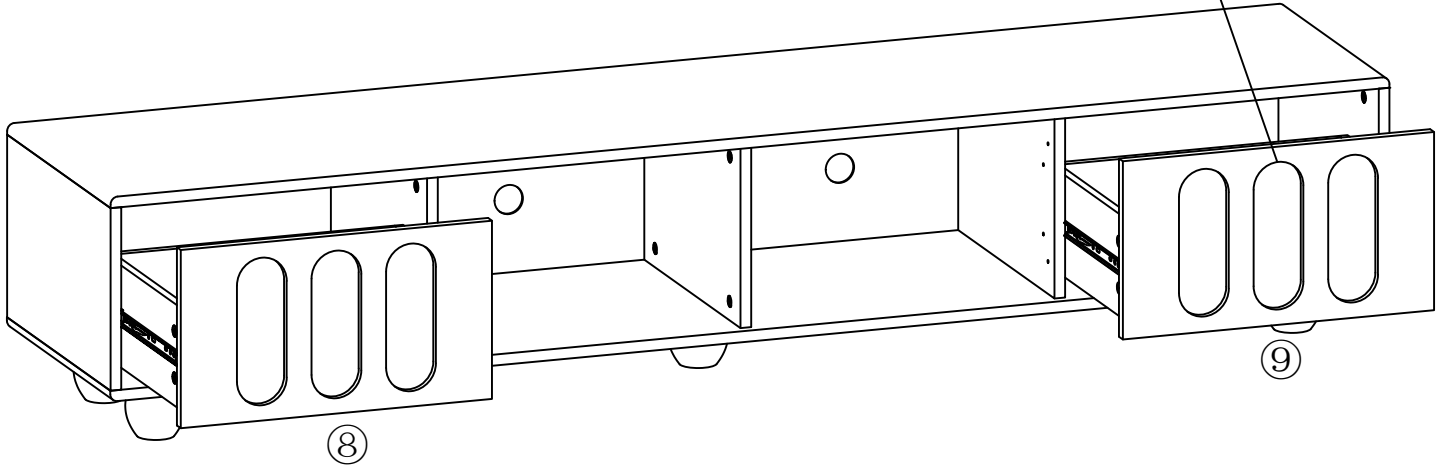
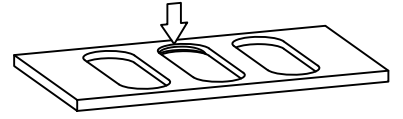
STEP 1 : Extend Slide



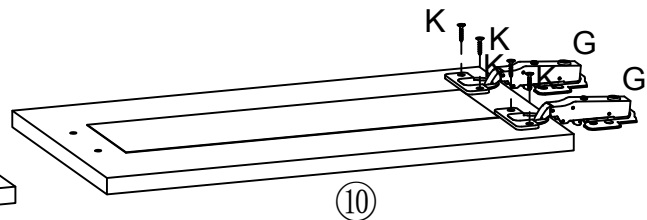
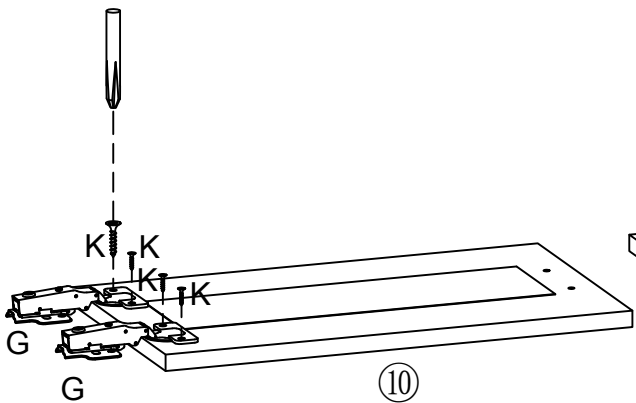
STEP 1 : Extend Slide





Tip: Drawer panel center molding top with hidden handles.



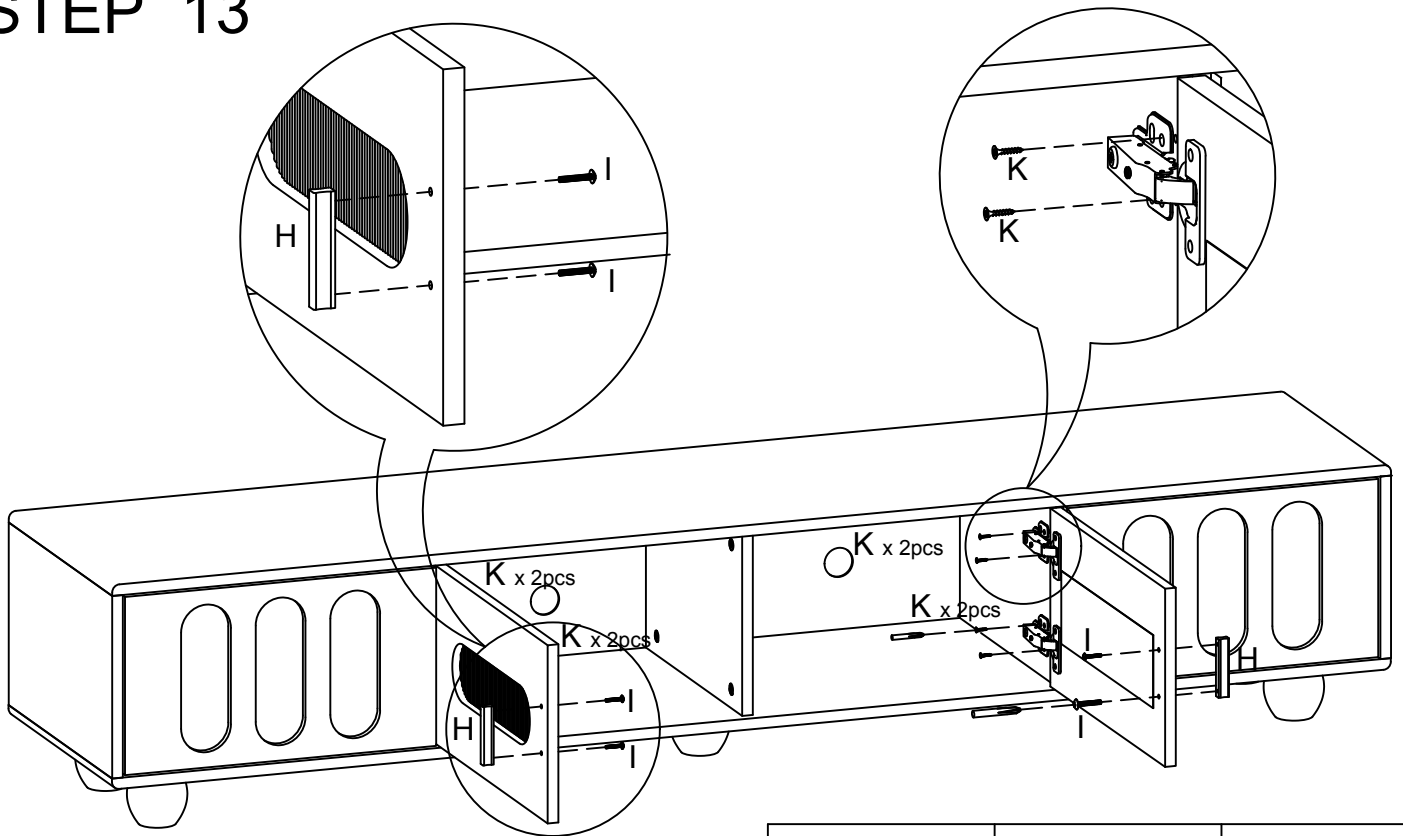
STEP 12






| | |
|---|---|
|  |  |
| G x4pcs | K x8pcs |

Assembly Instructions

STEP 13



| | | |
|---|---|---|
|  |  |  |
| H x2pcs | I x4pcs | K x8pcs |