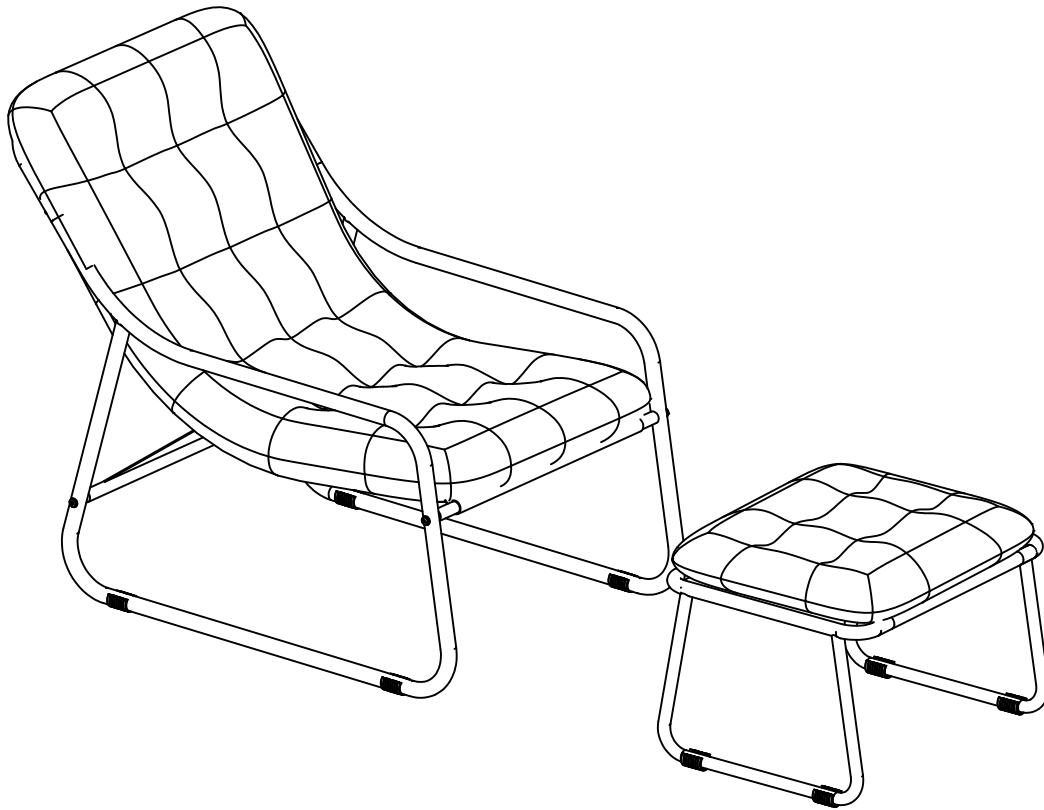


LOUNGE CHAIR


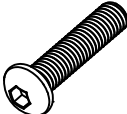
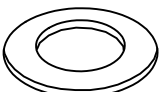

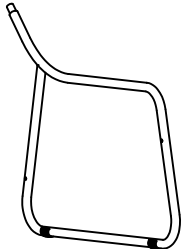

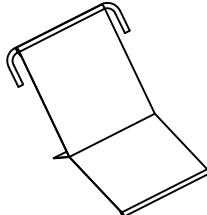

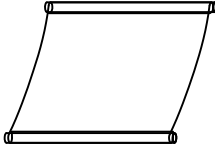

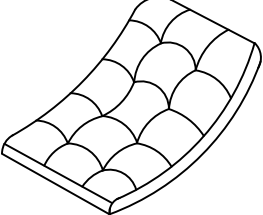
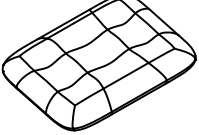


ATTENTION Section:

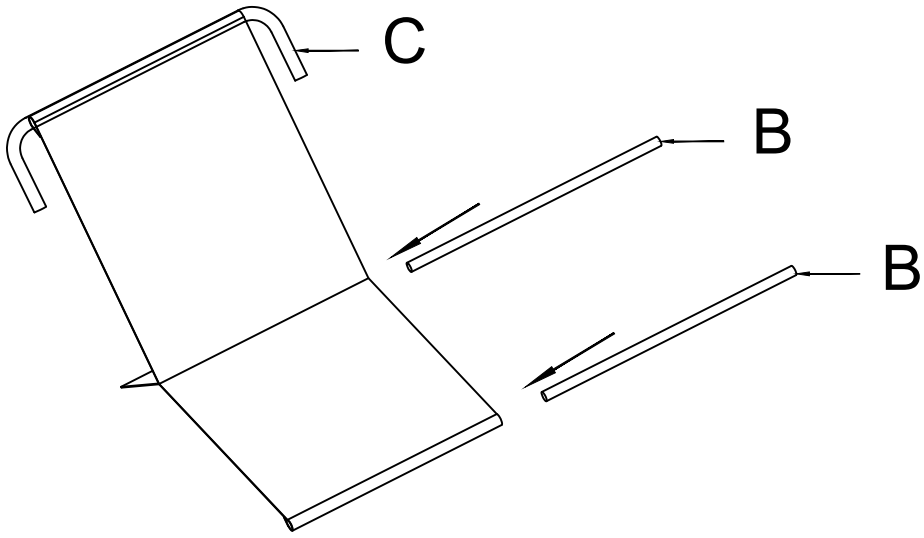
1. If you encounter any issues, such as missing accessories or damaged parts, please contact us immediately and include pictures (email:jm@nicesoulfurniture.com)

Assembly Instructions:

1. Assembly requires two people to complete.
2. For optimal assembly, we highly recommend using the provided Allen key. If using a power tool, please set it to a low speed to prevent any damage.
3. Do not fully tighten the screws until all screws are properly aligned with their holes.

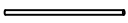
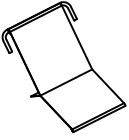
1		2		3		4	
	1pc		M8*45 4pcs		M8 4pcs		M6*10 6pcs
A		B		C		D	
ARMREST	2pcs	CROSSBAR	2pcs	TOP TUBE	1pc	FOOT STOOL LEG	2pcs
E		F		G		H	
	1pc		2pcs		SEAT CUSHION		1pc

STEP 1

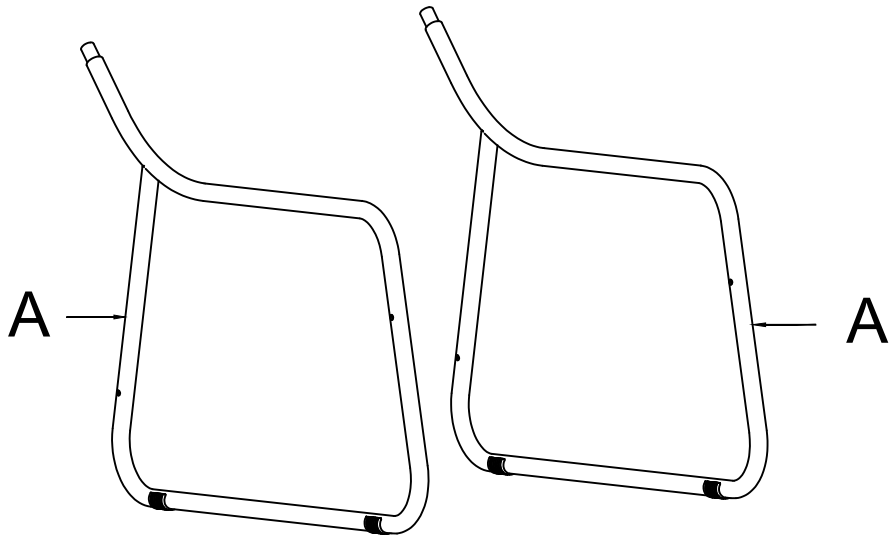


C*1pc

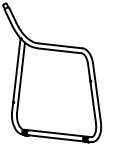
B*2pcs



STEP 2



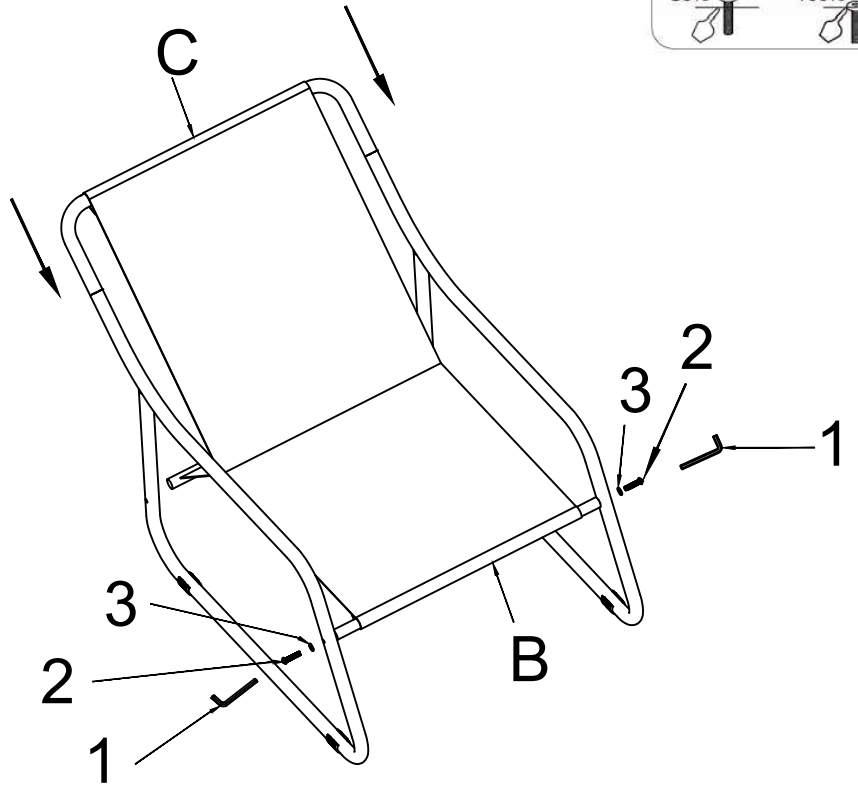
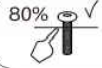
A*2pcs



STEP 3



80%



2*2pcs

3*2pcs

1*1pc



M8*45



M8

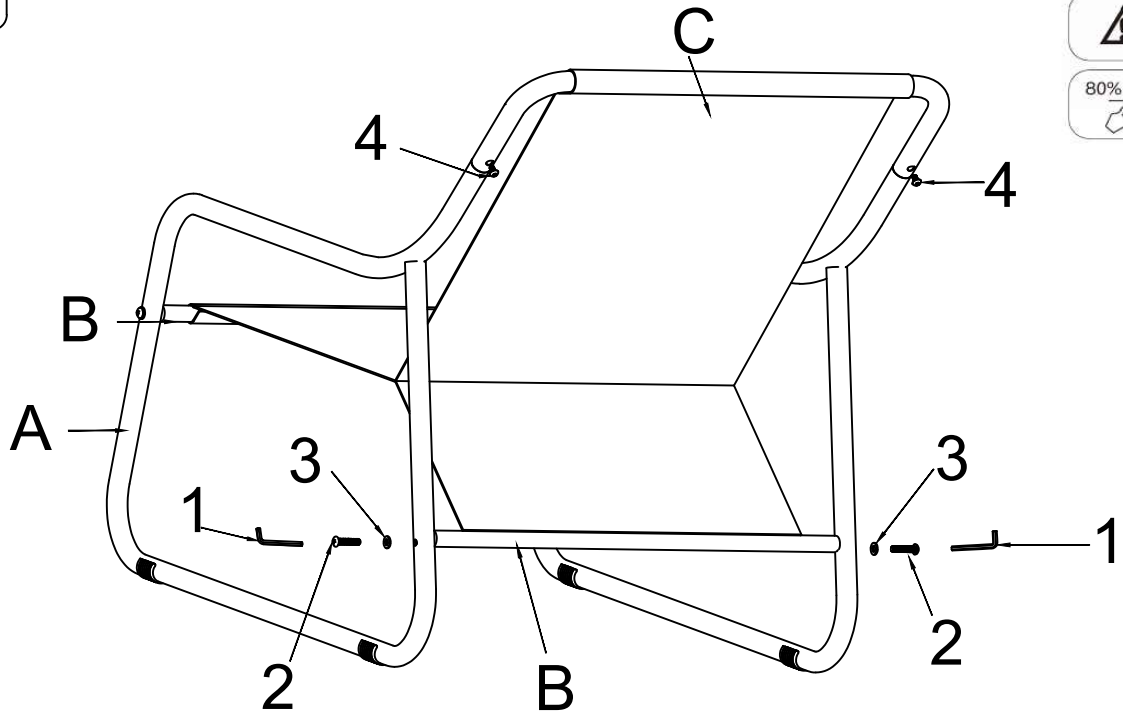


M8

STEP 4



80%



2*2pcs

4*2pcs

3*2pcs

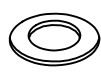
1*1pc



M8*45



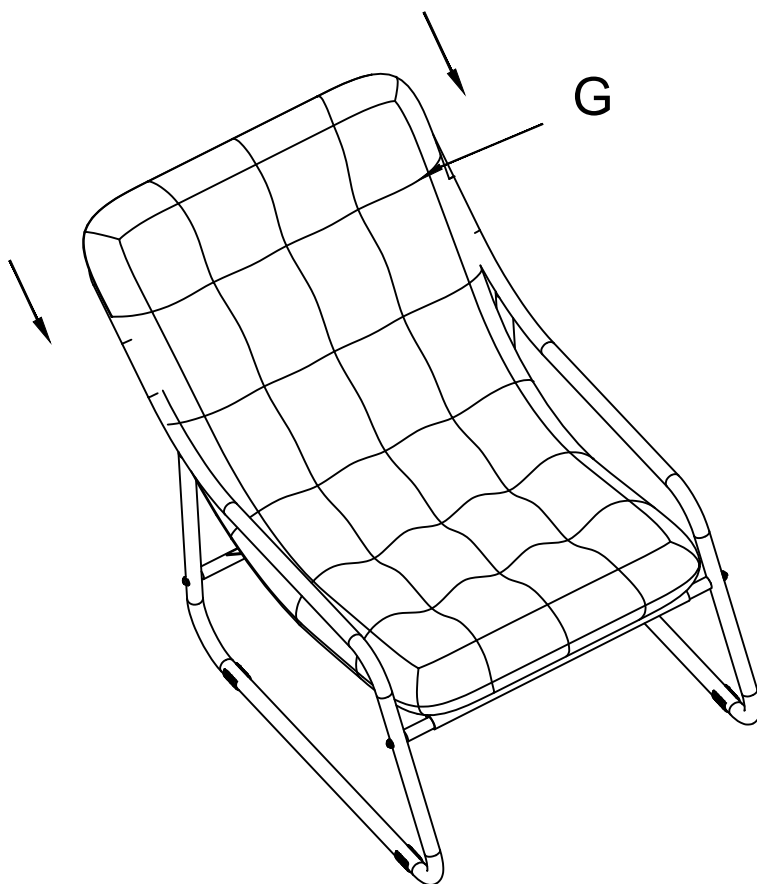
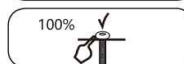
M6*10



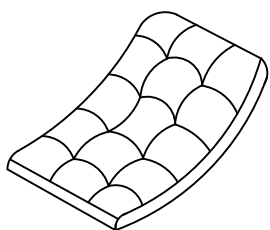
M8



STEP 5



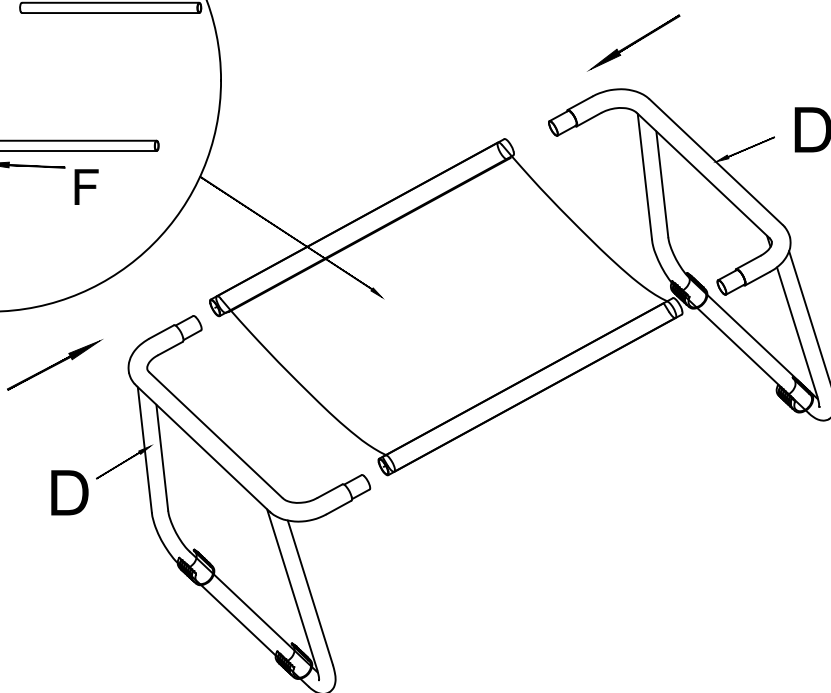
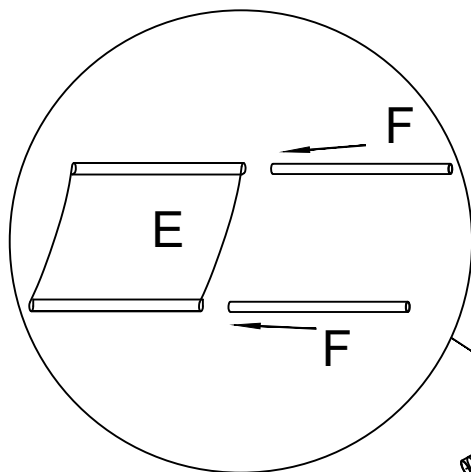
G*1pc



SEAT CUSHION

Do not fully tighten all screws until assembly is completed.

STEP 6



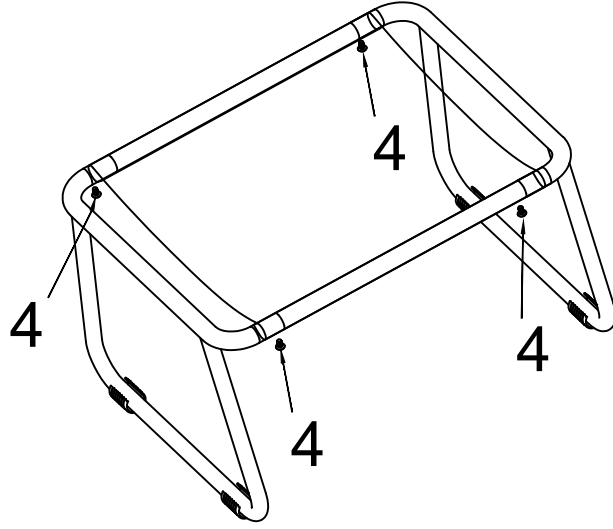
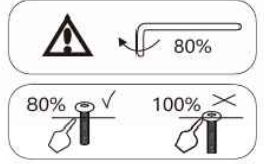
D*2pcs



F*2pcs

E*1pc

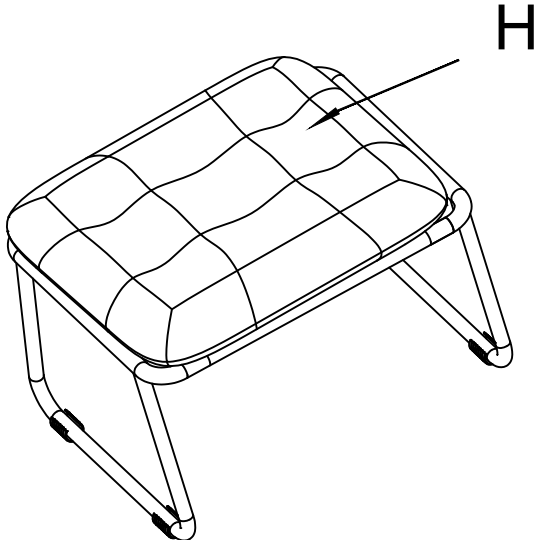
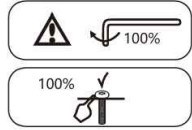


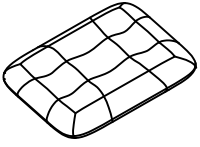
STEP 7



1*1pc	4*4pcs
	 M6*10

STEP 8



H*1pc


STEP 9

