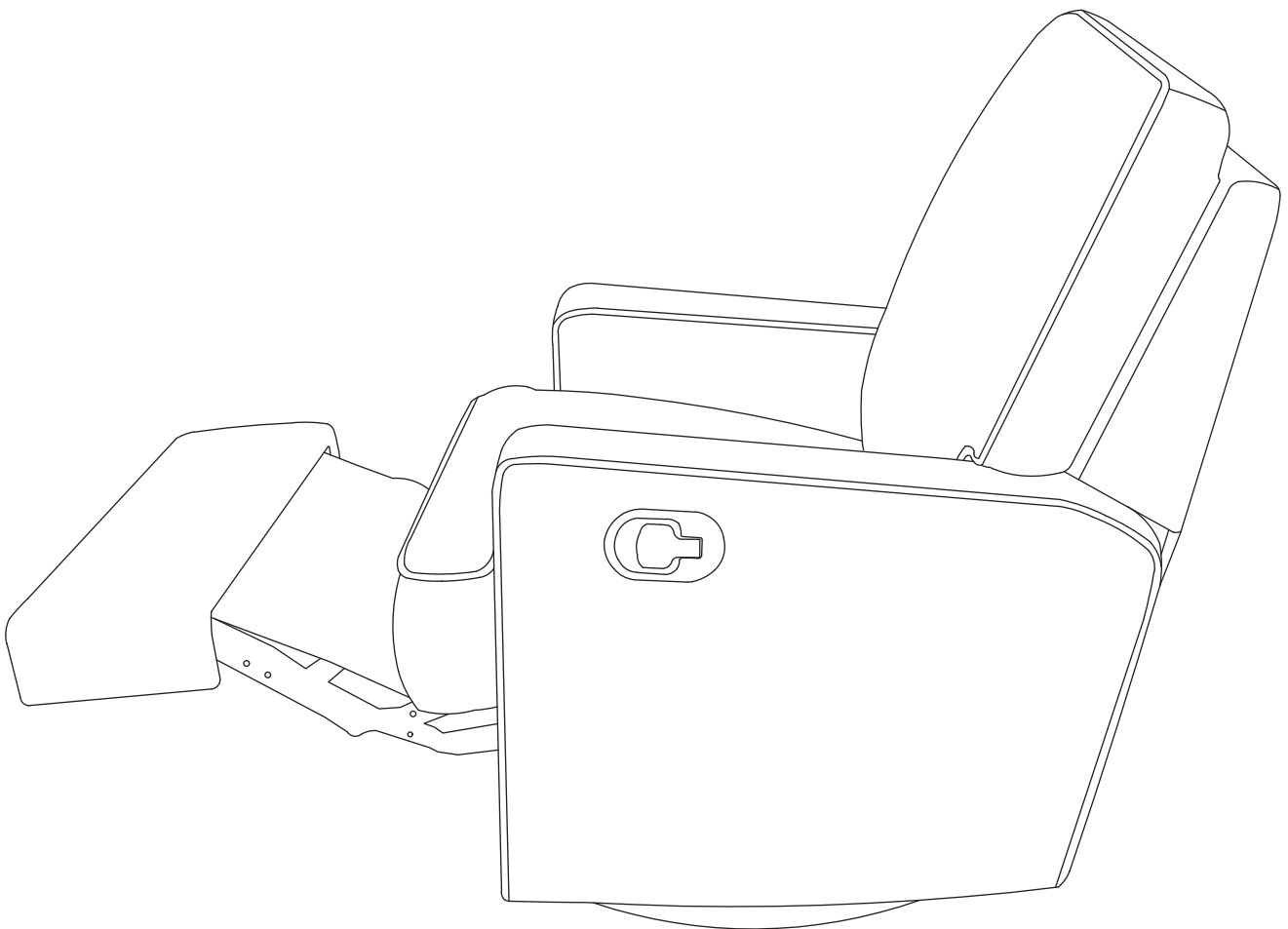


USER MANUAL

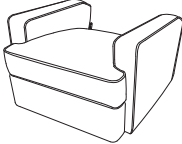
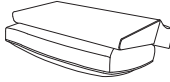
CAMDEN SWIVEL GLIDER RECLINER



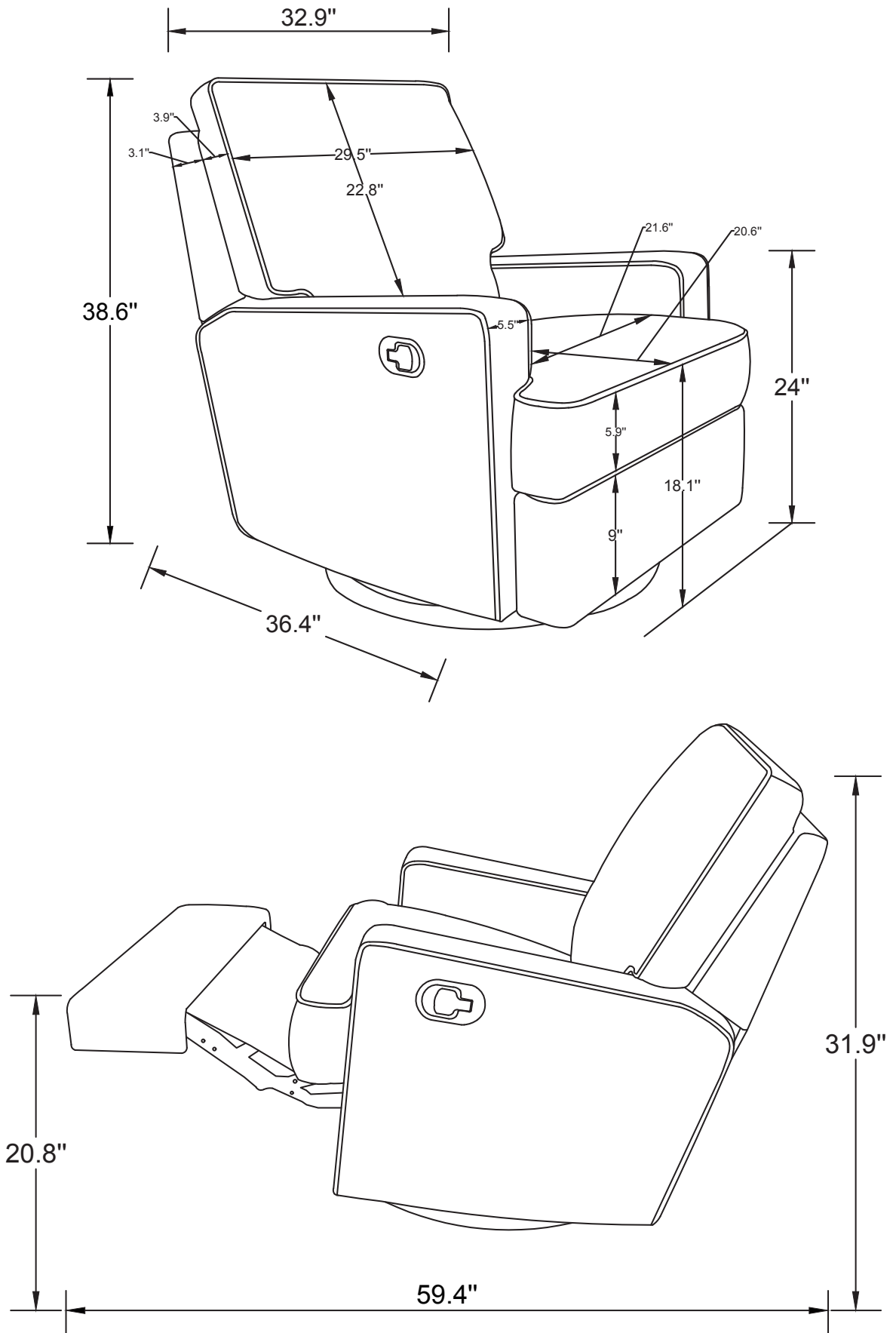
MODEL: SR-MS01

DESIGNED FOR THE BEAUTIFUL MOMENTS OF PARENTING, THE CAMDEN SWIVEL GLIDER RECLINER COMBINES GENTLE MOTION, DURABLE MATERIALS, AND EFFORTLESS COMFORT—SUPPORTING YOU AND YOUR LITTLE ONE THROUGH COUNTLESS QUIET MOMENTS.

PACKAGE CONTENTS/PART LIST

NO	DESCRIPTION	SKETCH	QTY
1	Seat Frame	 A line drawing of a seat frame, showing a rectangular base with a curved front edge and two armrests on the sides.	1PC
2	Backrest	 A line drawing of a backrest, showing a rectangular shape with a curved top edge and a small tab on the right side.	1PC

⚠ Maximum weight capacity: 400lbs



ASSEMBLY INSTRUCTIONS

Tool-Free Setup: One person can complete installation in under 3 minutes.



Open the box and packaging, take out the seat frame (A) and backrest (B) .

Align the backrest with the slot on the base and press down firmly until you hear a click. Confirm it's secure before use.

PRECAUTIONS & CARE

1. Space Needed:

Ensure at least 9.1 in of clearance behind the chair for reclining.

2. Usage:

Glide and swivel gently. Supervise children while using the chair.

3. Fabric Care:

Wipe with a damp cloth. The durable, stain-resistant fabric handles spills and pet interactions with ease.

4. Safety Check: Regularly inspect the reclining mechanism and base for stability.

SAFETY INFORMATION

- This product is for indoor use only.
- Keep away from sharp objects and open flames.
- Always supervise children when in use.