

# KOHLER®

## Underscore® Rectangle 60" x 36" VibrAcoustic® BubbleMassage™ air bath w/Bask® K-1849-GVBCW

### Features

- VibrAcoustic calms and soothes with sound vibration technology.
- Six concealed speakers send sound waves through the water to gently massage the body.
- Six original instrumental compositions offer different levels of relaxation.
- Syncs with devices enabled with BLUETOOTH® wireless technology including smartphones, MP3 players, tablets, and laptops located up to 33 feet away.\*
- Customize your experience with the high-resolution color touch screen.
- Fully-adjustable volume above and below the water.
- Functions as a hydrotherapy bath when full of water and a stereo system when empty.
- 122 airjets release thousands of bubbles that surround, support, and massage the body.
- Variable-speed blower lets you adjust massage intensity to 18 levels.
- Zones of Control™ feature allows you to target massage to back, midsection, or feet.
- Chromatherapy lighting allows you to select a preferred color scheme to suit your mood.
- Bask® heated surface creates spa-like relaxation with soothing warmth on your back, shoulders, and neck.
- Three heat settings allow you to customize the surface temperature.
- Integral lumbar support.
- Slotted overflow allows for deep soaking.
- Includes 25' of wiring and amplifier.
- Automatic and manual purge cycles remove residual water from air channels after use.



### Codes/Standards

ASME A112.19.7/CSA B45.10  
CSA B45.5/IAPMO Z124  
ASTM E162  
ASTM E662  
UL 1795

**KOHLER® Plastic Baths and Receptors Lifetime Limited Warranty**  
**KOHLER® Hydrotherapy Components Five-Year Limited Warranty**

See website for detailed warranty information.

The BLUETOOTH® word mark and logos are registered trademarks owned by Bluetooth SIG, Inc. and any use of such marks by Kohler Co. is under license. Other trademarks and trade names are those of their respective owners.

### Material

- Acrylic.

### Hydrotherapy

- BubbleMassage™.
- Chromatherapy.

### Installation

- Requires K-7271 or K-7272 Clearflo slotted overflow bath drain (sold separately).
- Reversible drain.
- Drop-in or undermount.

### Required Products/Accessories

K-7271 Brass Slotted Overflow Bath Drain

or

K-7272 PVC Slotted Overflow Bath Drain

1-800-4KOHLER (1-800-456-4537)

Kohler Co. reserves the right to make revisions without notice to product specifications.

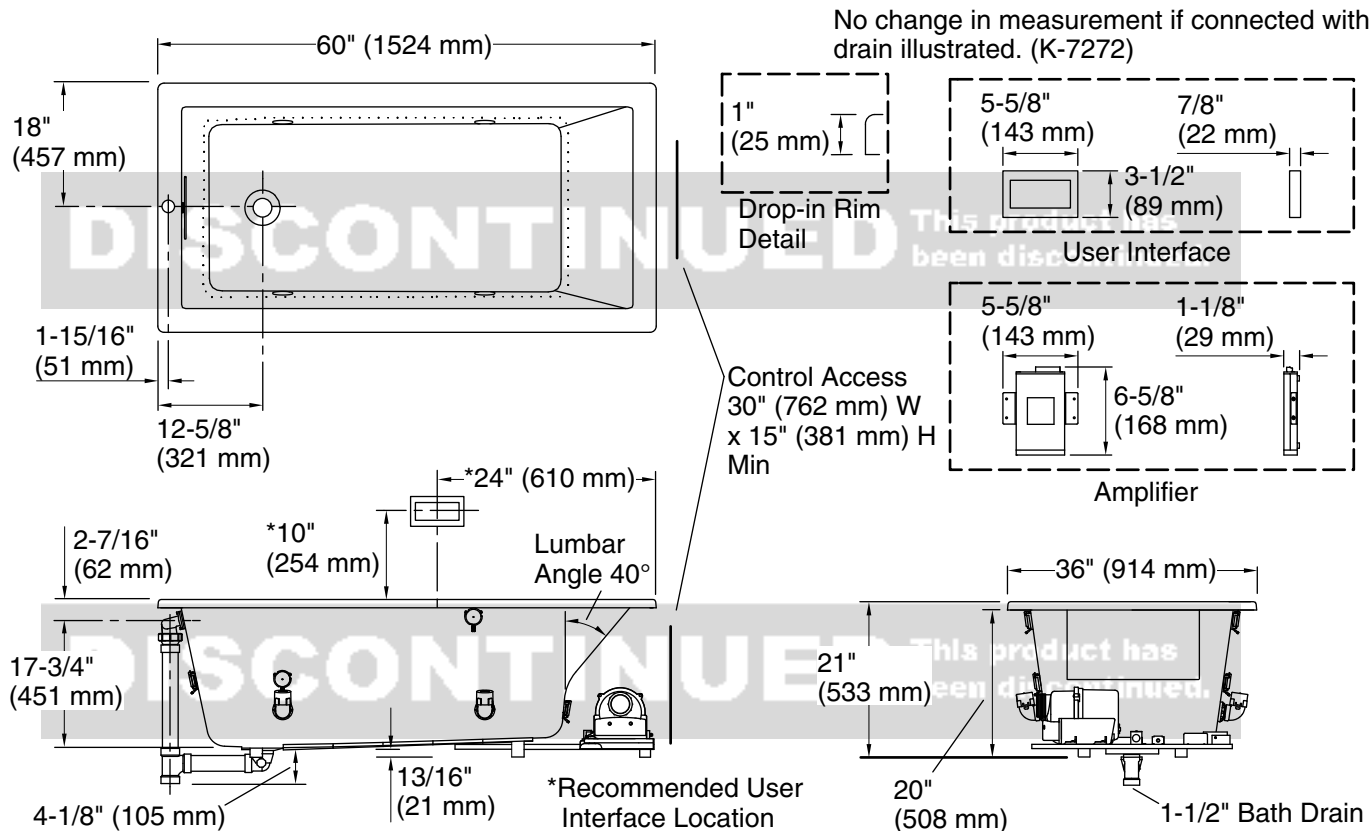
For the most current Specification Sheet, go to [www.kohler.com](http://www.kohler.com).

5-29-2021 16:06 - US/CA

THE BOLD LOOK  
OF **KOHLER®**

# KOHLER®

## Underscore® Rectangle 60" x 36" VibrAcoustic® BubbleMassage™ air bath w/Bask® K-1849-GVBCW



### Required Electrical Service

One dedicated circuit required, protected with Class A Ground-Fault Circuit-Interrupter (GFCI). Outside North America, this device may be known as a Residual Current Device (RCD).

Blower, Amplifier, 120 V, 15 A, 60 Hz

Heated Surface:

### Technical Information

All product dimensions are nominal.

Installation: Drop-in, Under-mount

Drain location: End

Basin area, bottom: 39-9/16" x 24-11/16" (1005 mm x 627 mm)

Basin area, top: 53-5/8" x 29-1/2" (1362 mm x 749 mm)

Weight: 110 lbs (49.9 kg)

Minimum floor load: 52.1 lbs/ft<sup>2</sup> (254.4 kg/m<sup>2</sup>)

Water depth: 17-1/8" (435 mm)

Water capacity: 81.1 gal (307 L)

Cutout: Drop-in, 59-1/2" x 35-1/2" (1511 mm x 902 mm)

Electrical component rating: Blower: 120 V, 10 A, 60 Hz

Amplifier: 120 V, 1.2 A, 50/60 Hz

Heated Surface: 120 V, 0.5 A, 60 Hz, 65

### Notes

Measure your actual product for rough-in details.

Install this product according to the installation instructions.

The hot water supply should be 70% of the capacity of the bath or greater. Installations will vary.

Control amplifier fits 16" (406 mm) center studs. 25' (7.6 m) cables are included.

Remote blower installation kit K-1446 is available for relocating the blower. Provide access for servicing the blower.

Do not relocate or alter the PVC tee or coiled flexible tubing connected to the blower. Follow the blower relocation instructions exactly.

**IMPORTANT!** Due to BLUETOOTH signal overlap, installations of multiple baths within 50 ft (15.2 m) of each other will require special order product. Please contact your dealer, showroom, or sales representative for ordering assistance.

1-800-4KOHLER (1-800-456-4537)

Kohler Co. reserves the right to make revisions without notice to product specifications.

For the most current Specification Sheet, go to [www.kohler.com](http://www.kohler.com).

5-29-2021 16:06 - US/CA

THE BOLD LOOK  
OF **KOHLER**®